



US00D490089S

(12) **United States Design Patent**
Box et al.

(10) **Patent No.:** **US D490,089 S**

(45) **Date of Patent:** **** May 18, 2004**

(54) **STUFFING MACHINE**

(75) Inventors: **Sharon Box**, Los Angeles, CA (US);
Rizal Oei, Scottsdale, AZ (US); **Jason Diebling**, St. Charles, MO (US)

(73) Assignee: **Build-A-Bear Workshop, Inc.**, St. Louis, MO (US)

(**) Term: **14 Years**

(21) Appl. No.: **29/191,062**

(22) Filed: **Oct. 1, 2003**

(51) **LOC (7) Cl.** **15-03**

(52) **U.S. Cl.** **D15/66**

(58) **Field of Search** D15/66; 141/67;
19/305, 85; 406/173, 99; 53/428

(56) **References Cited**

U.S. PATENT DOCUMENTS

2,794,454 A * 6/1957 Moulthrop 141/67
3,351,106 A * 11/1967 Moulthrop 141/67
3,693,836 A * 9/1972 Eisner 406/99

4,664,160 A * 5/1987 Rothstein et al. 141/67
5,199,244 A * 4/1993 Beier et al. 53/428
D427,209 S * 6/2000 Collida et al. D15/67

* cited by examiner

Primary Examiner—Mitchell Siegel

(74) *Attorney, Agent, or Firm*—Blackwell Sanders Peper Martin LLP

(57) **CLAIM**

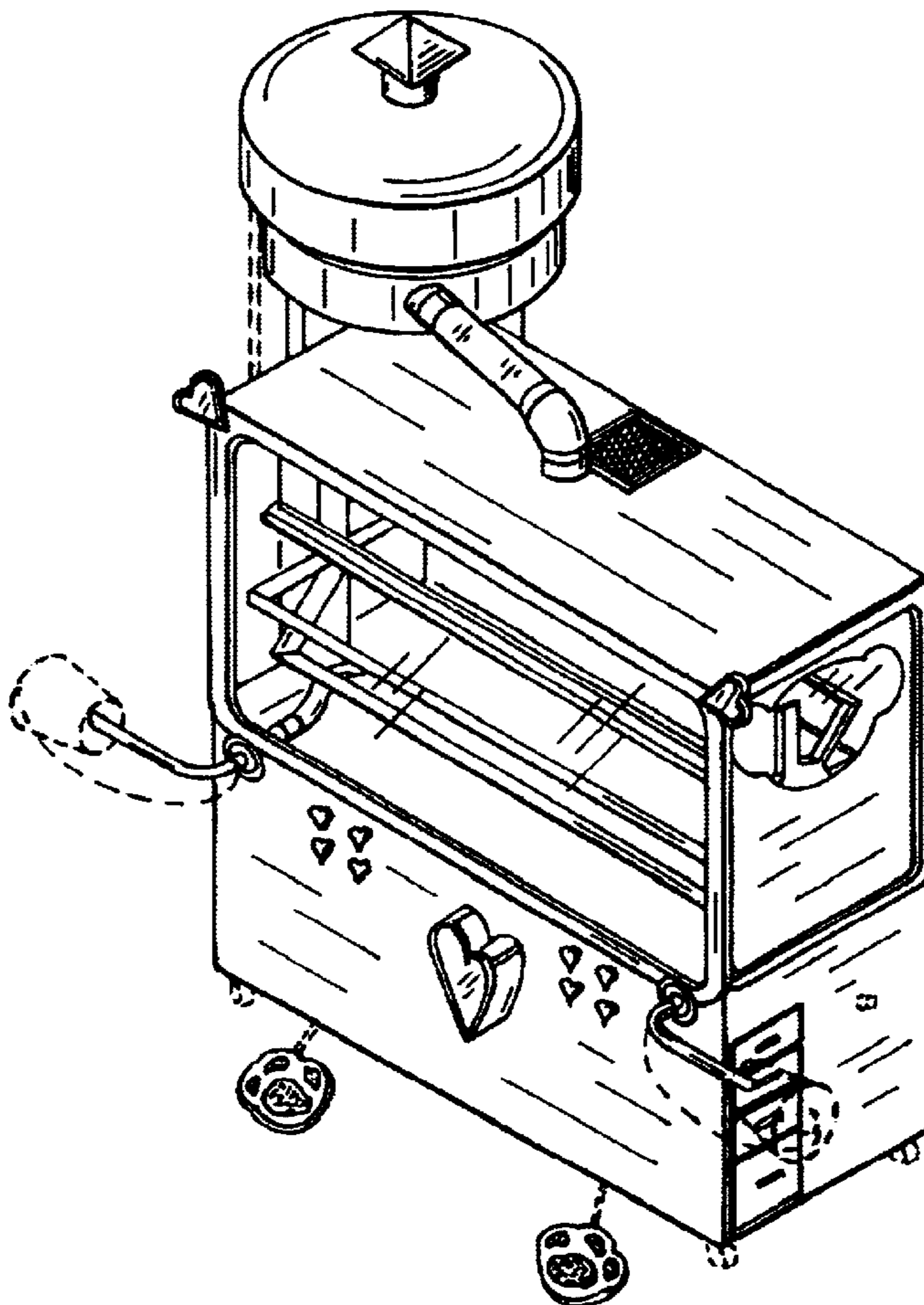
The ornamental design for a stuffing machine, as shown and described.

DESCRIPTION

FIG. 1 is an upper perspective view of a stuffing machine shown in accordance with the present invention; FIG. 2 is a front elevational view thereof; FIG. 3 is a rear elevational view thereof; FIG. 4 is a left end elevational view thereof; FIG. 5 is a right end elevational view thereof; and, FIG. 6 is a top plan view thereof.

Throughout the drawings broken lines are for illustrative purposes only and form no part of the claimed design.

1 Claim, 5 Drawing Sheets



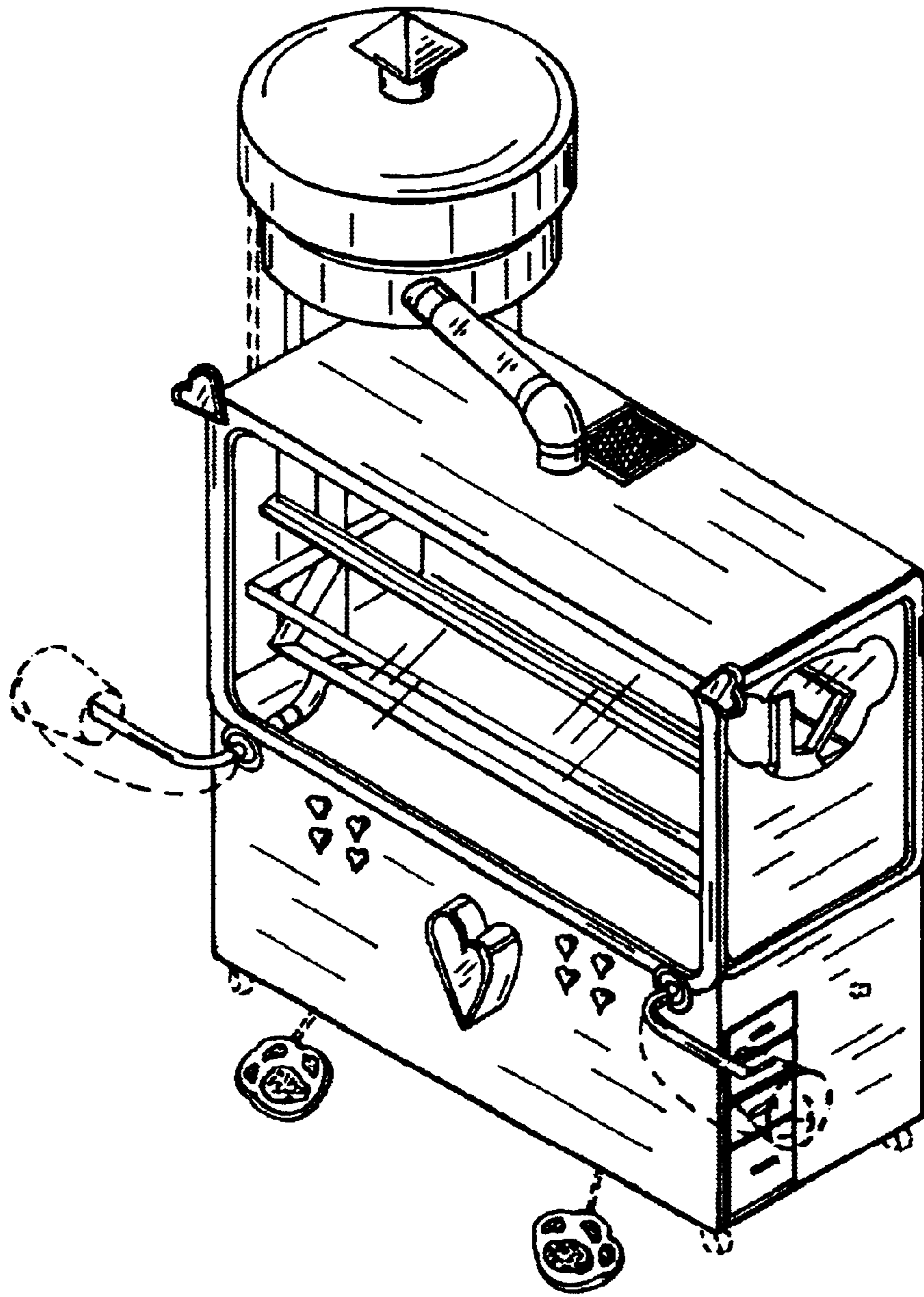


FIG. 1

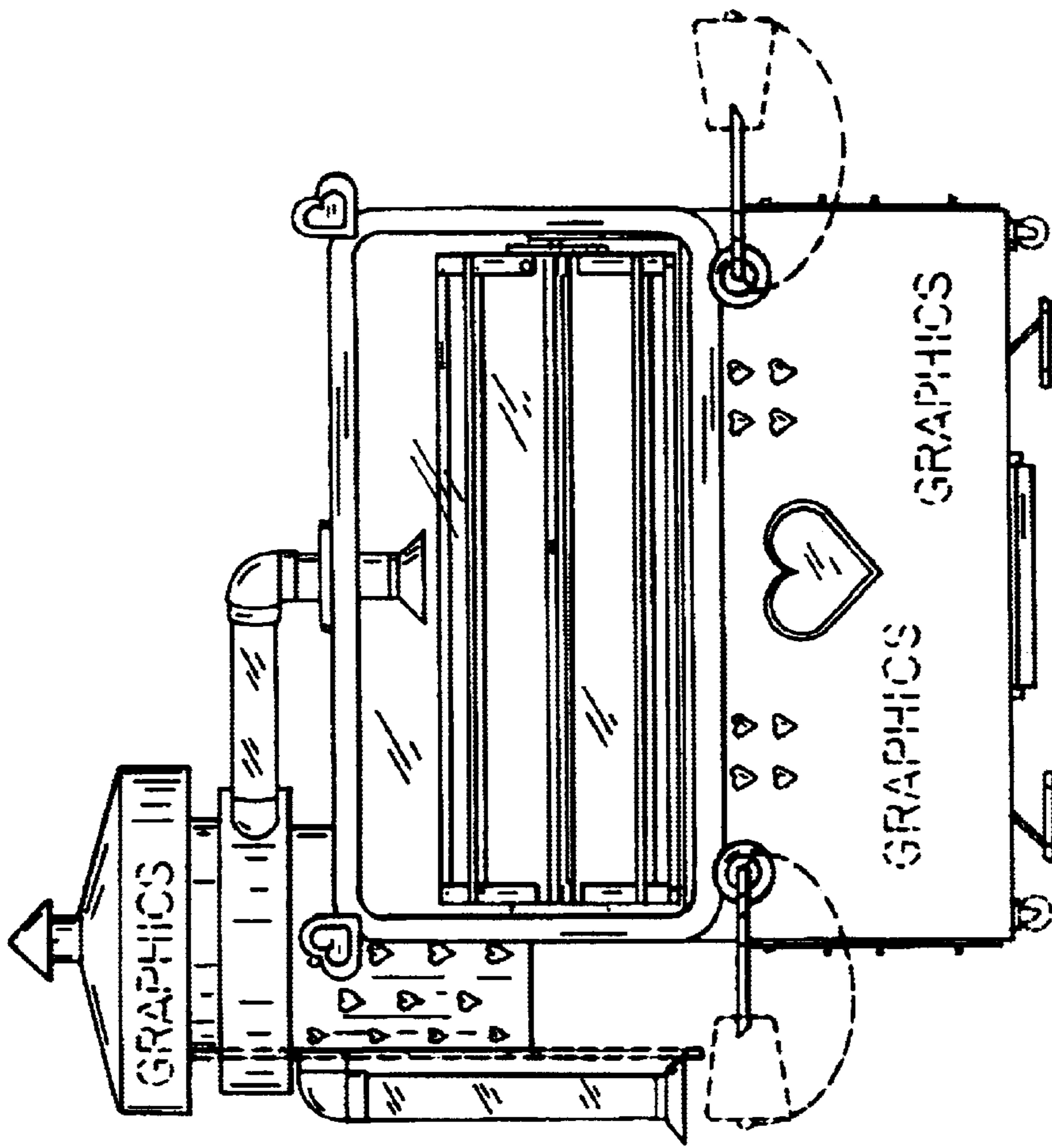


FIG. 2

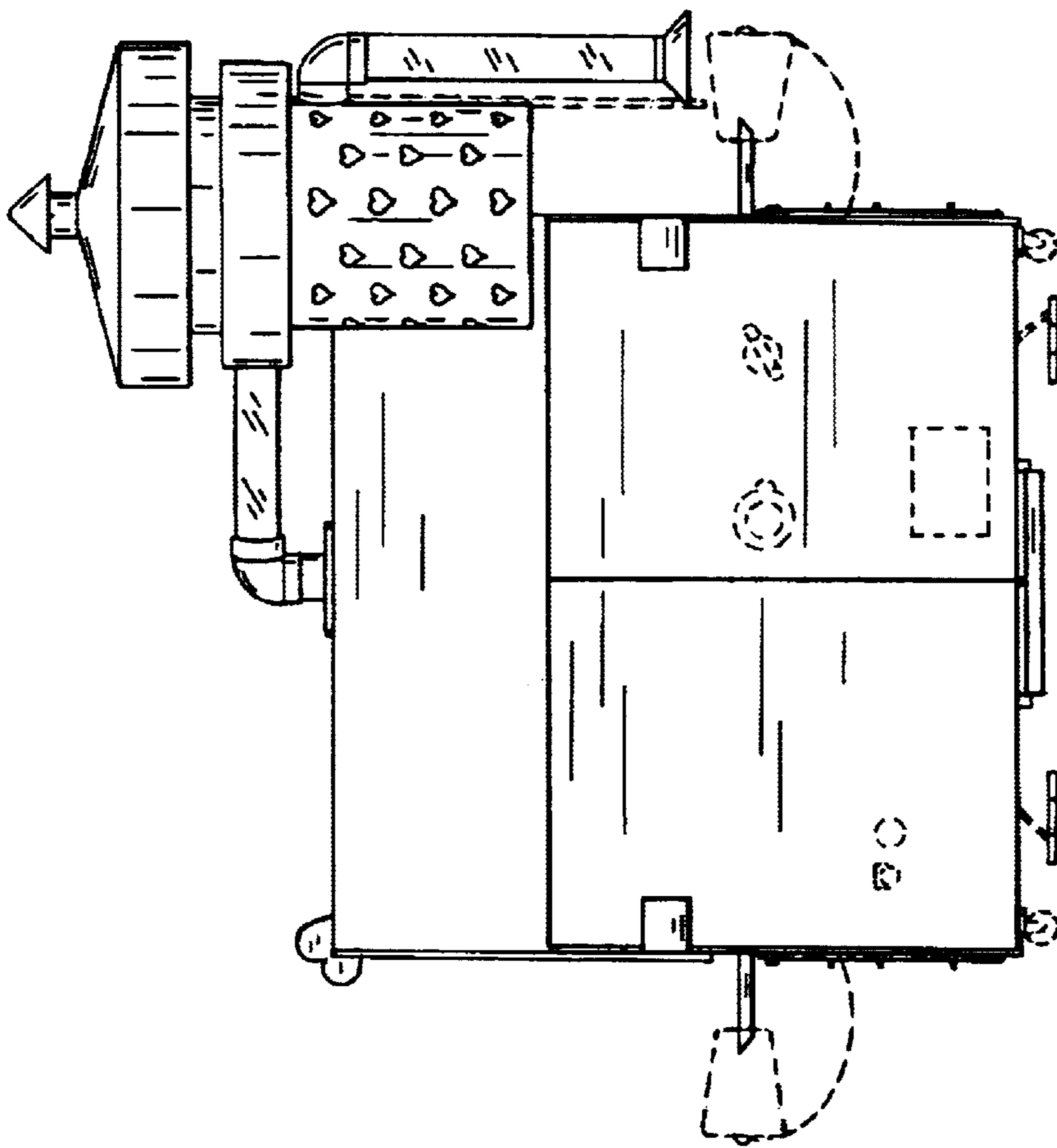


FIG. 3

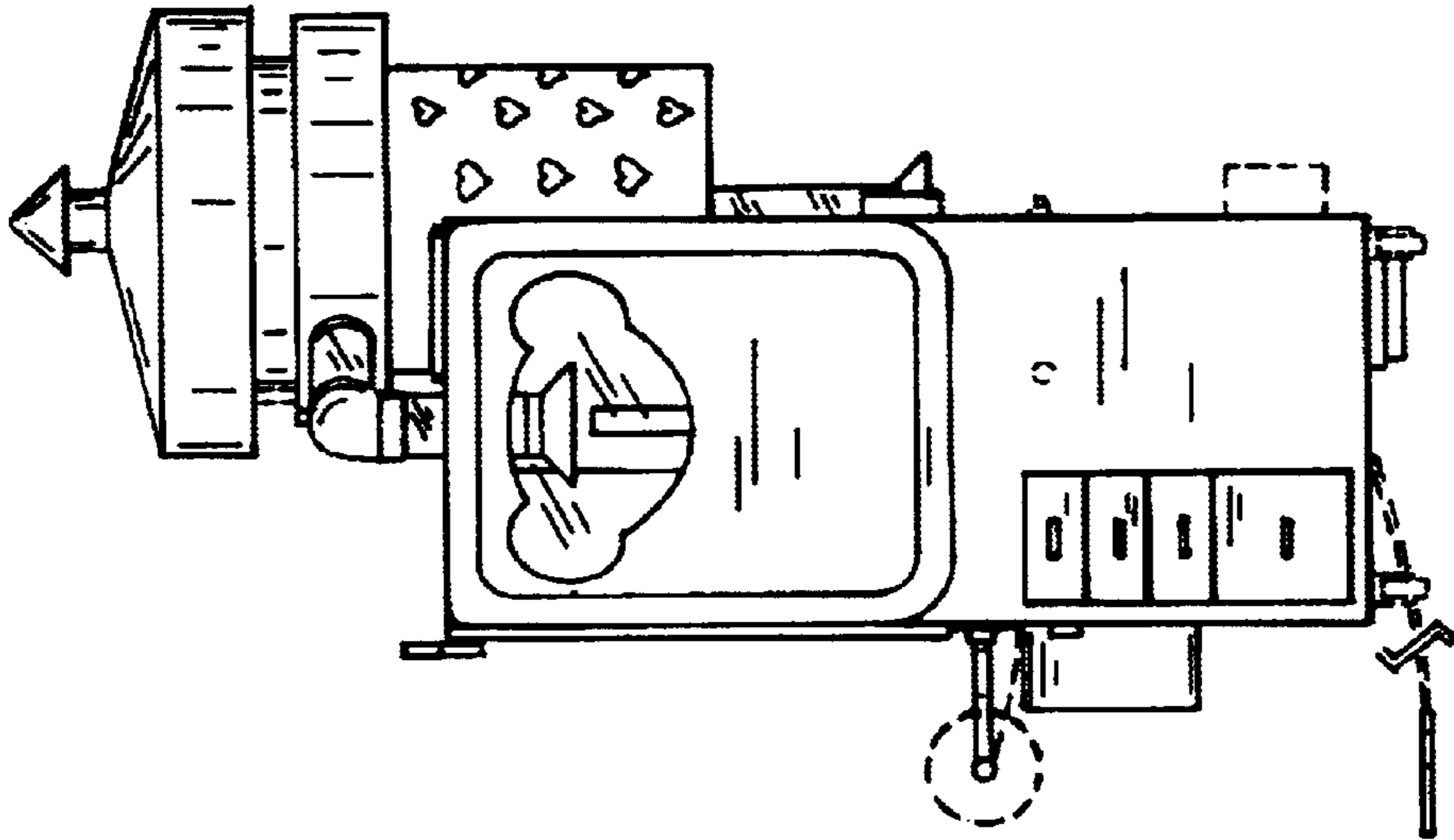


FIG. 5

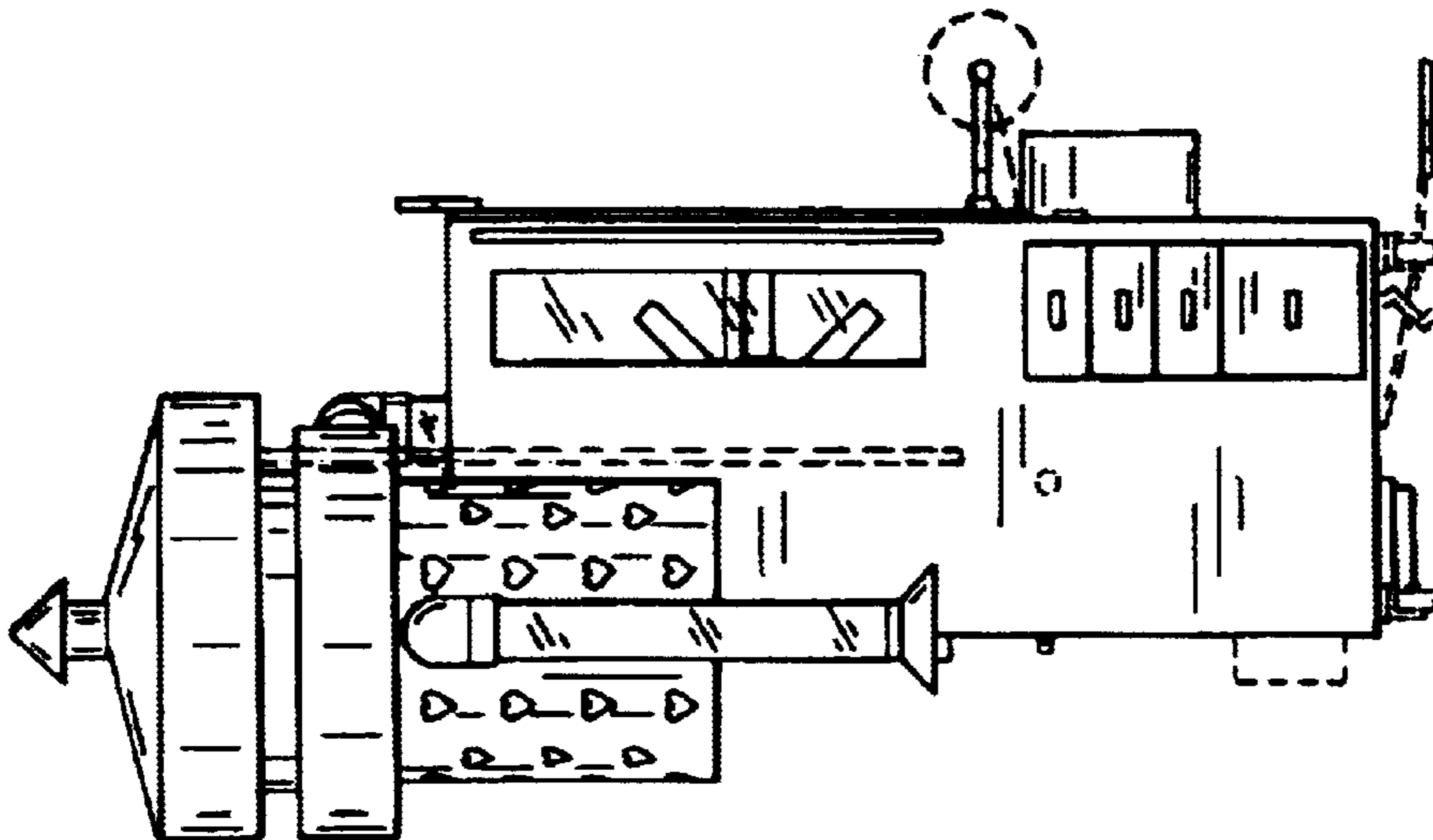


FIG. 4

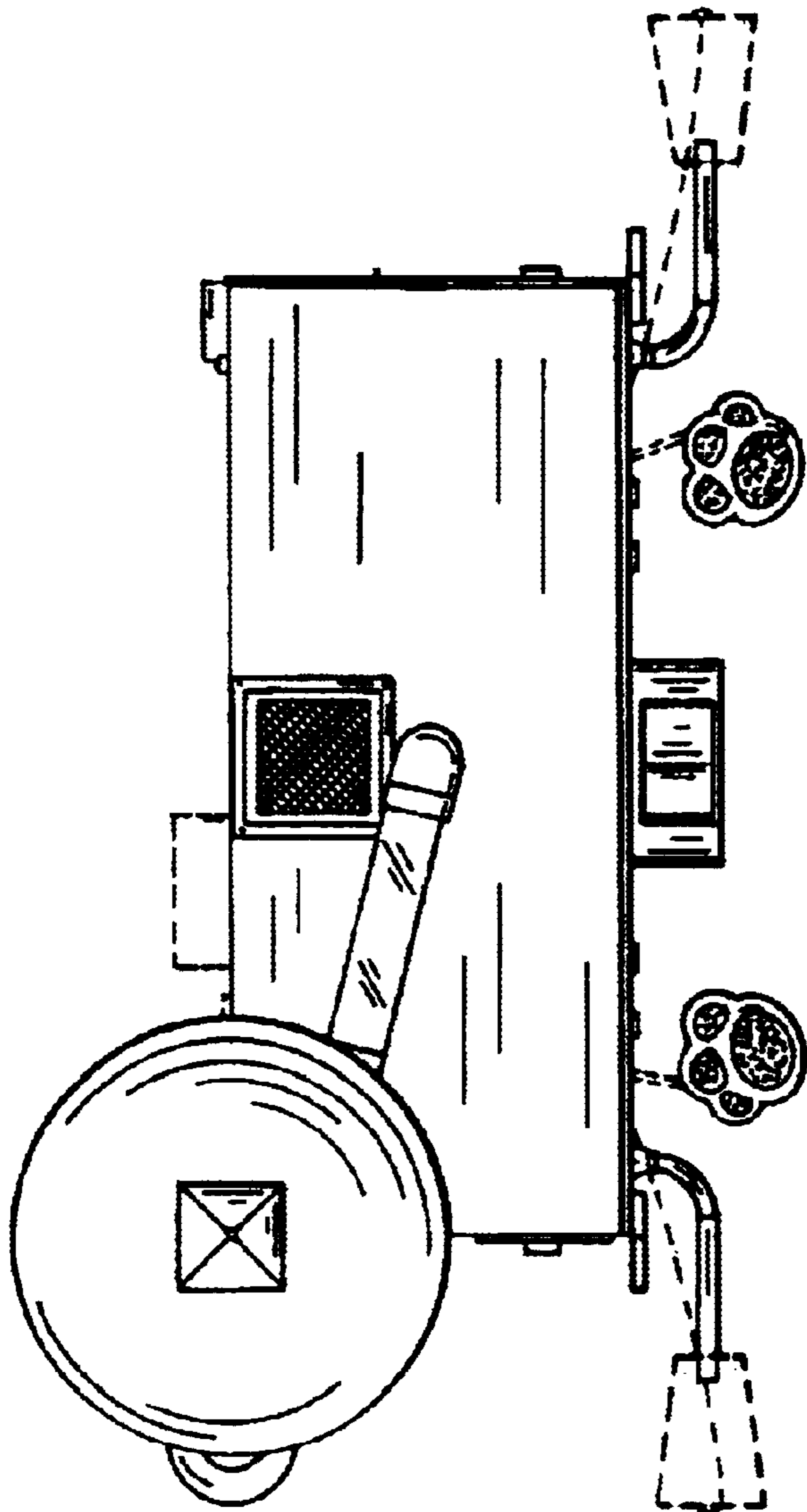


FIG. 6