



US00D490085S

(12) **United States Design Patent**
Porter et al.

(10) **Patent No.:** **US D490,085 S**

(45) **Date of Patent:** **** May 18, 2004**

(54) **FRONT PORTION OF A MEDIA SUPPLY**

(75) Inventors: **Paul W. Porter**, Victor, NY (US);
Samuel F. Swayze, Fairport, NY (US);
David R. Gotham, Sr., Rochester, NY
(US); **James D. Gresko**, Rochester, NY
(US)

(73) Assignee: **Eastman Kodak Company**, Rochester,
NY (US)

(**) Term: **14 Years**

(21) Appl. No.: **29/176,911**

(22) Filed: **Feb. 28, 2003**

(51) **LOC (7) Cl.** **14-99**

(52) **U.S. Cl.** **D14/481**; D14/435

(58) **Field of Search** D14/432-439,
D14/481-483; D13/182-184; 361/680-686,
737; 463/29, 43-47; 273/148 B

(56) **References Cited**

U.S. PATENT DOCUMENTS

D285,569 S	*	9/1986	Reitz et al.	D14/438
D386,475 S	*	11/1997	Hiramatsu	D13/182
D442,605 S	*	5/2001	Stanley et al.	D14/481
D454,135 S	*	3/2002	Lee	D14/445

* cited by examiner

Primary Examiner—Kay H. Chin

(74) *Attorney, Agent, or Firm*—Roland R. Schindler, II

(57) **CLAIM**

The ornamental design for a front portion of a media supply,
as shown and described.

DESCRIPTION

The nature of the article is a front portion of a media supply
for use with an imaging device.

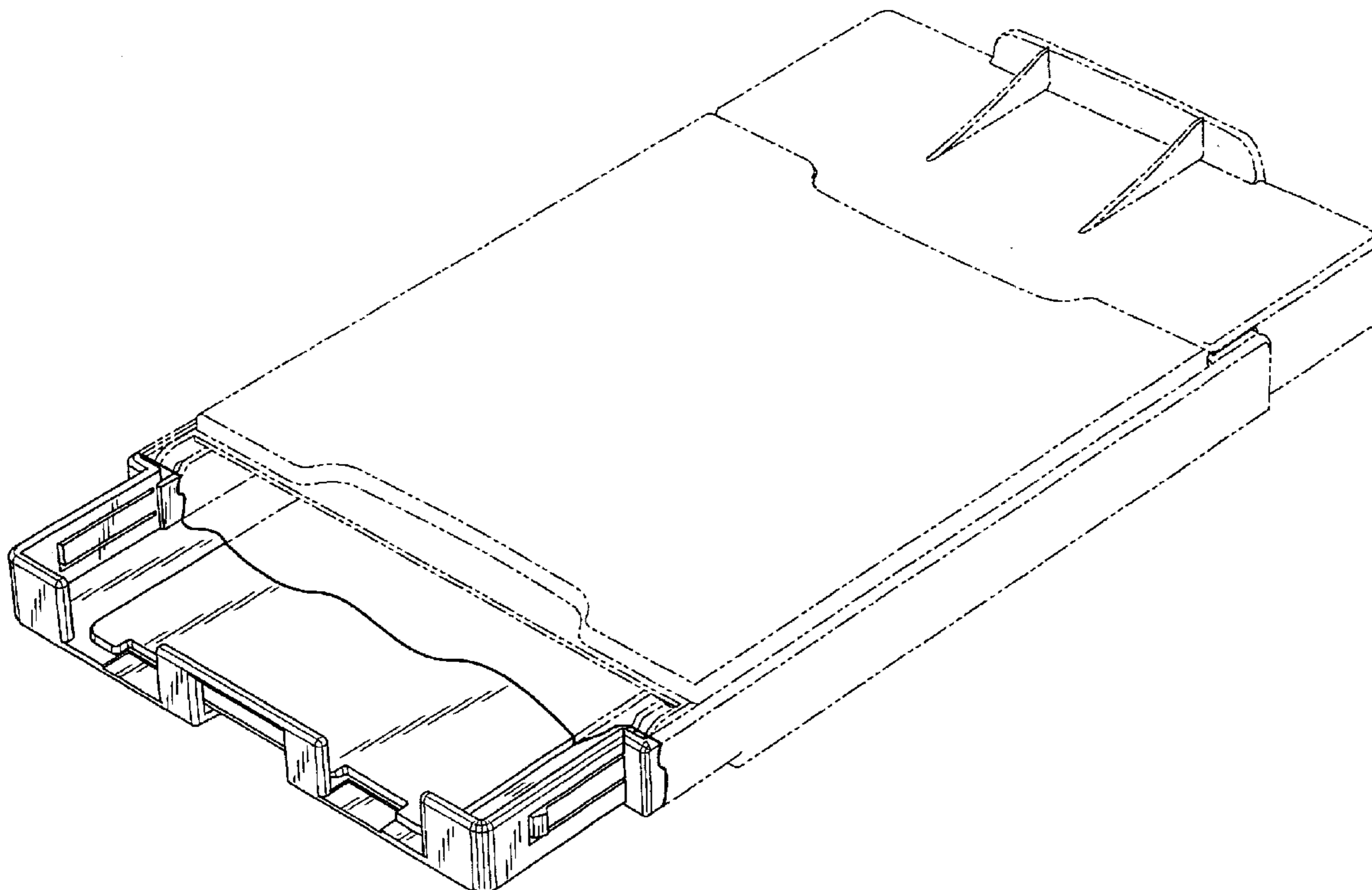
U.S. Design patent application Ser. No. 29/176,974 filed on
even date herewith and entitled *Printer With Docking Sta-
tion*, filed in the name of Samuel F. Swayze et al.

U.S. patent application Ser. No. 10/376,963 filed on even
date herewith and entitled *Imaging System and Media
Supply for Use In Imaging System* filed in the name of
Samuel F. Swayze et al.

FIG. 1 is a front, top and right perspective view of a media
supply showing our new design, the broken lines are for
illustrative purposes only and form no part of the claimed
design;

FIG. 2 is a front, top, left perspective view thereof; and,
FIG. 3 is a bottom view thereof.

1 Claim, 3 Drawing Sheets



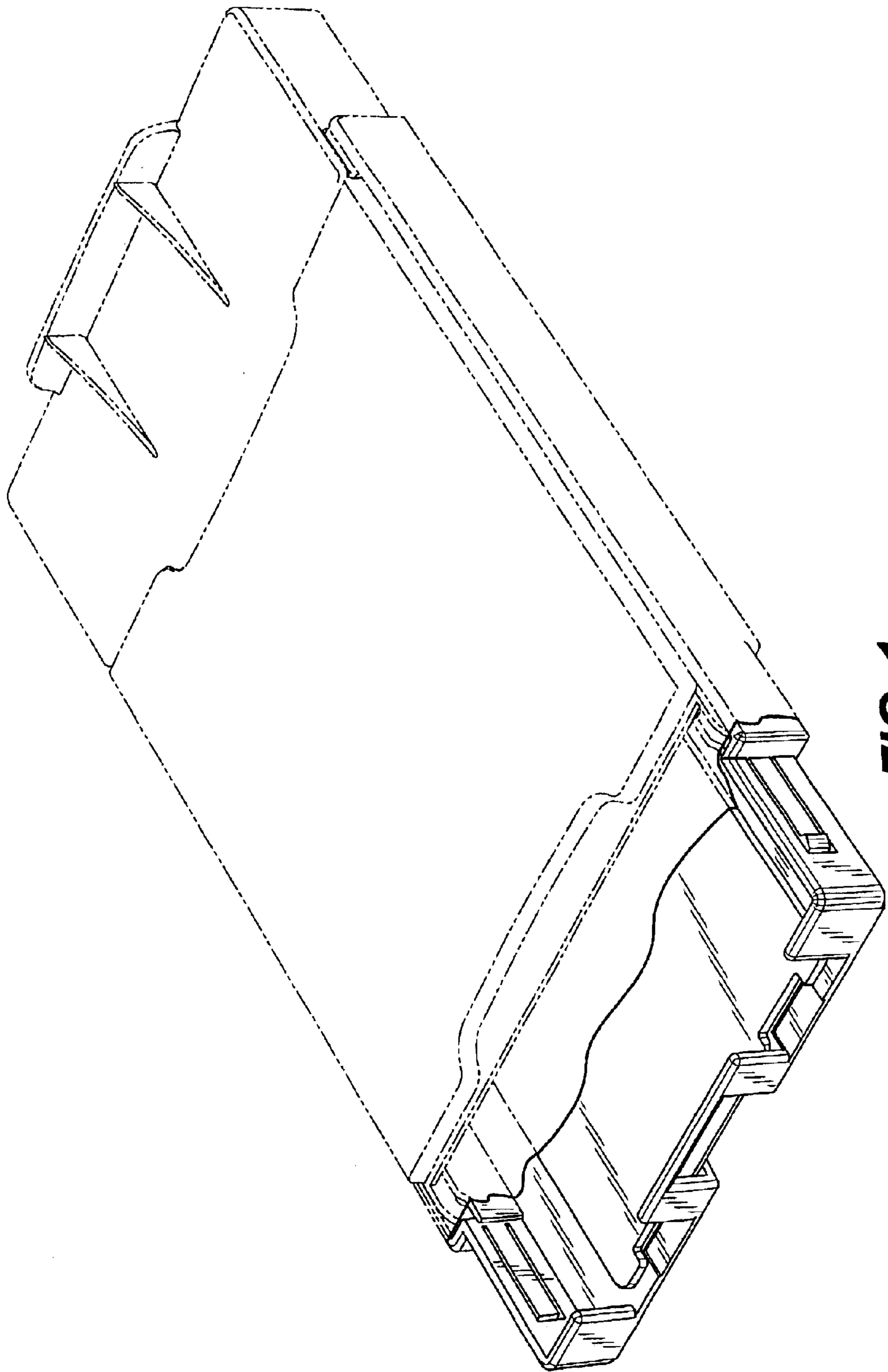


FIG. 1

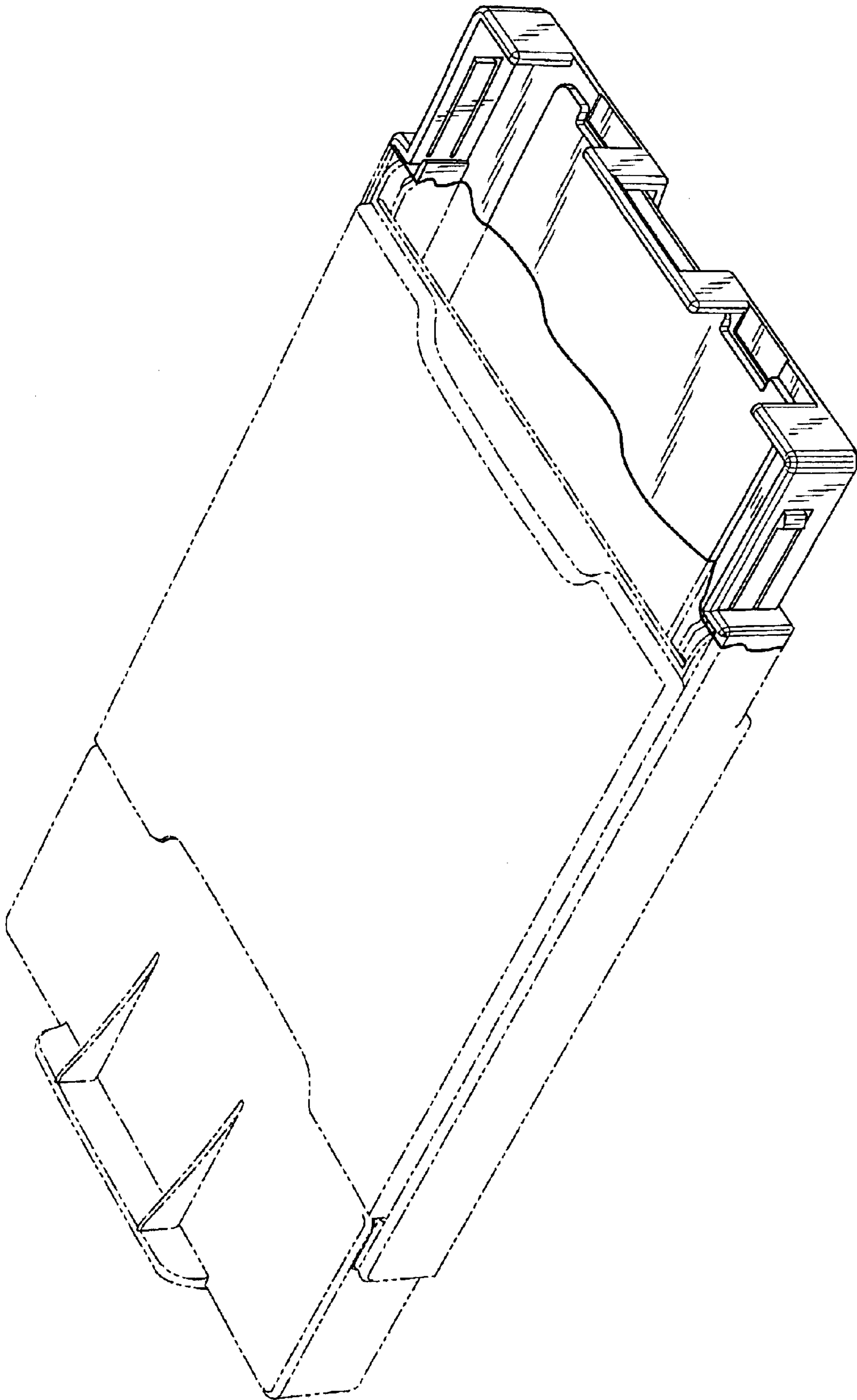


FIG. 2

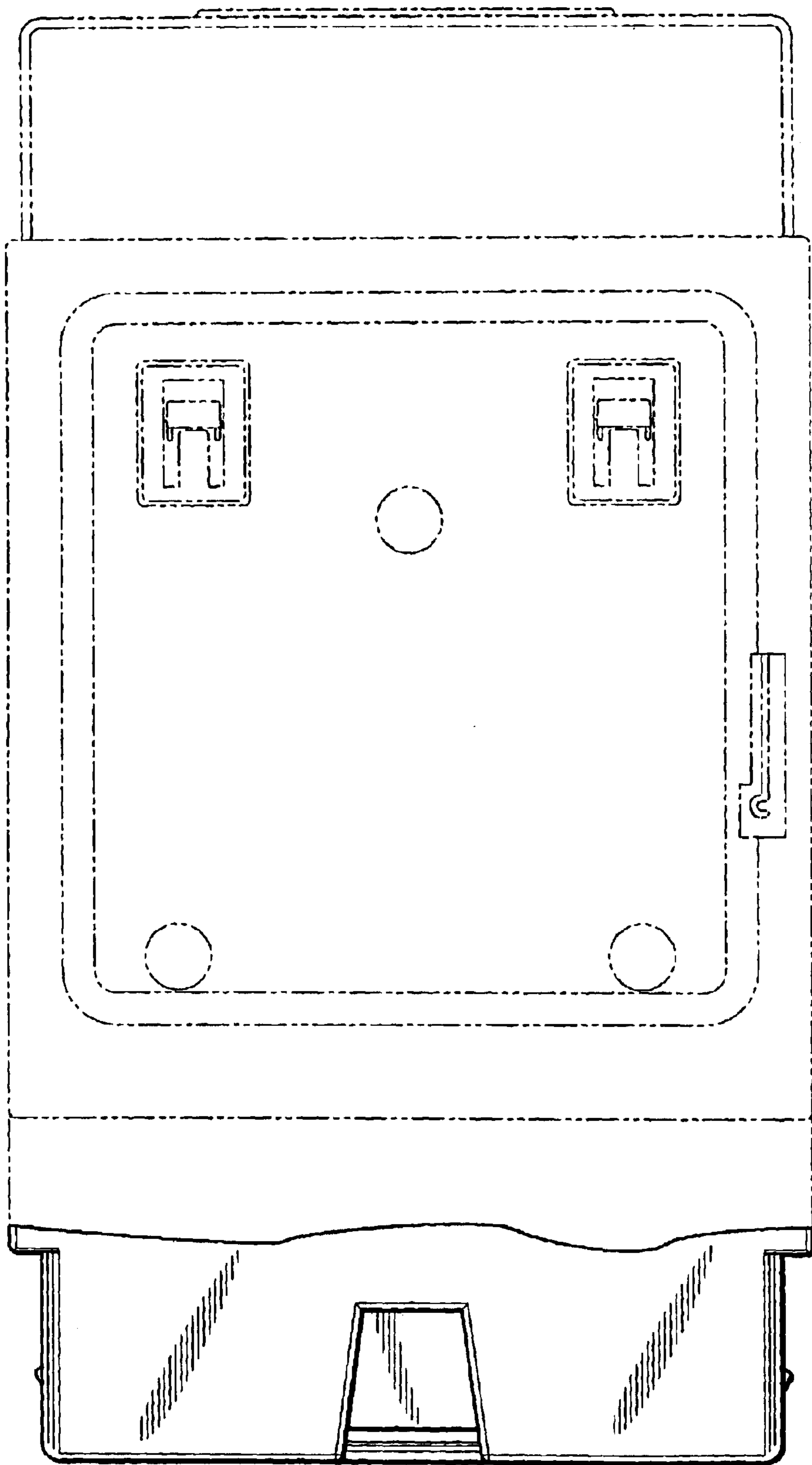


FIG. 3