



US00D490083S

(12) **United States Design Patent**
Wu

(10) **Patent No.:** **US D490,083 S**

(45) **Date of Patent:** **** May 18, 2004**

(54) **COMPUTER HARD DRIVE TRAY**

(75) Inventor: **Jeff Wu**, Mission Viejo, CA (US)

(73) Assignee: **Commercial & Industrial Design Co., Inc.**, Anaheim, CA (US)

(**) Term: **14 Years**

(21) Appl. No.: **29/166,033**

(22) Filed: **Aug. 20, 2002**

(51) **LOC (7) Cl.** **14-02**

(52) **U.S. Cl.** **D14/439**

(58) **Field of Search** D14/432, 442,
D14/479; D13/162, 184; 361/680-685,
728, 730, 736, 740; 439/296, 304, 374,
376

(56) **References Cited**

U.S. PATENT DOCUMENTS

D407,079 S	*	3/1999	Wu	D14/447
D415,747 S	*	10/1999	Wu	D14/442
D421,428 S	*	3/2000	Wu	D14/439

* cited by examiner

Primary Examiner—Kay H. Chin

(74) *Attorney, Agent, or Firm*—Knobbe, Martens, Olson & Bear, LLP

(57) **CLAIM**

The ornamental design for a computer hard drive tray, as shown and described.

DESCRIPTION

FIG. 1 is a perspective view of a computer hard drive tray having features in accordance with the present invention.

FIG. 2 is a front elevational view thereof;

FIG. 3 is a rear elevational view thereof;

FIG. 4 is a right side elevational view thereof,

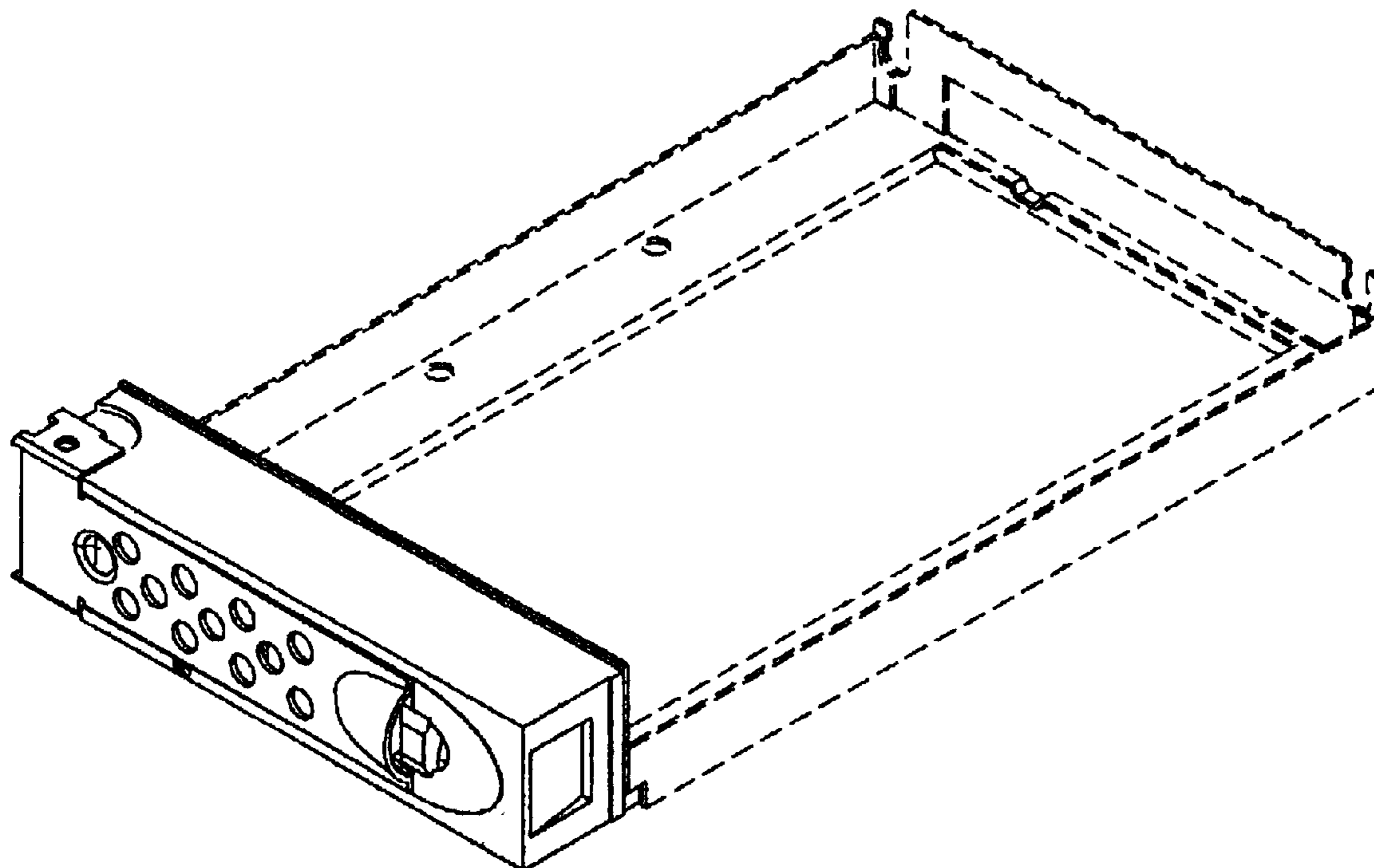
FIG. 5 is a left side elevational view thereof;

FIG. 6 is a top plan view thereof; and,

FIG. 7 is a bottom plan view thereof.

The broken lines shown throughout the drawing views are for illustrated purposes only and form no part of the claimed design.

1 Claim, 5 Drawing Sheets



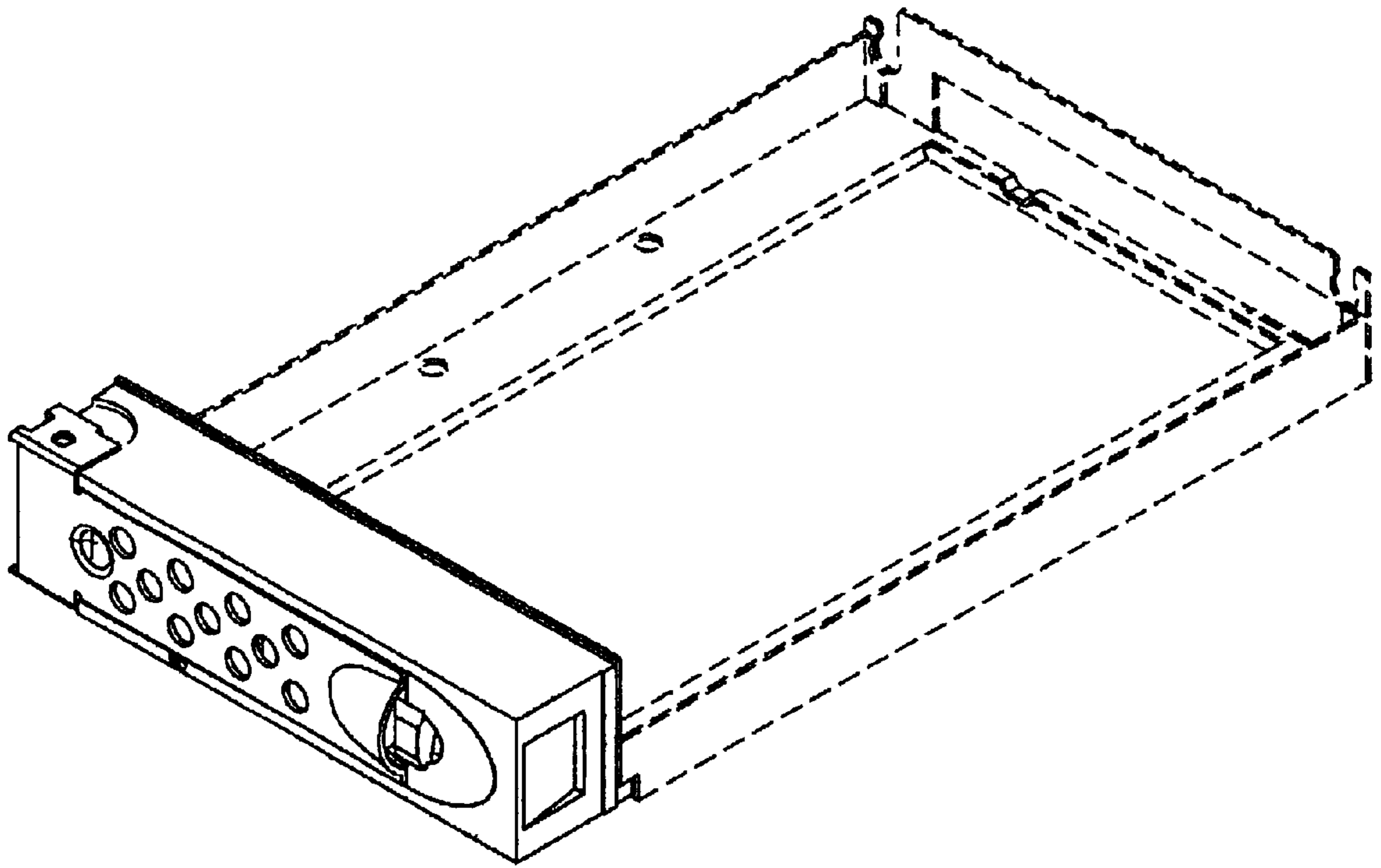


FIG. 1

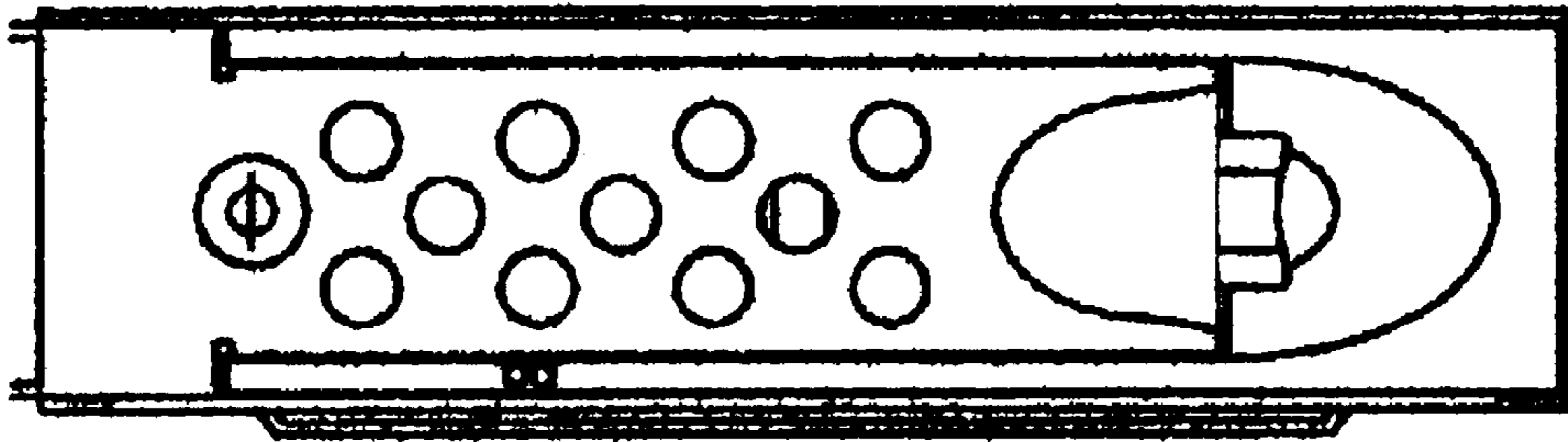


FIG. 2

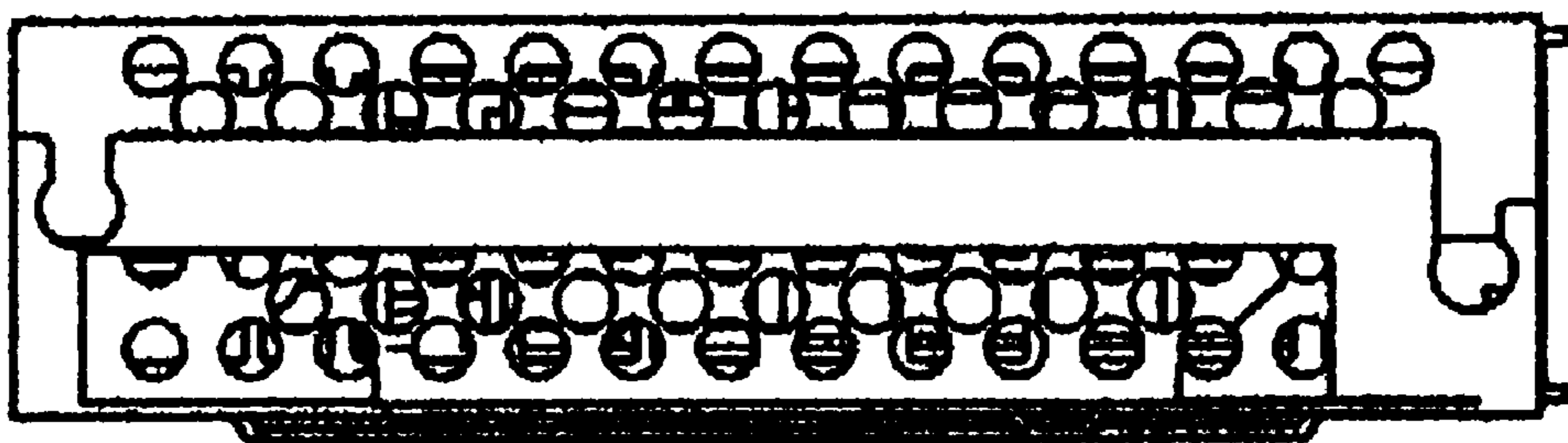


FIG. 3



FIG. 4

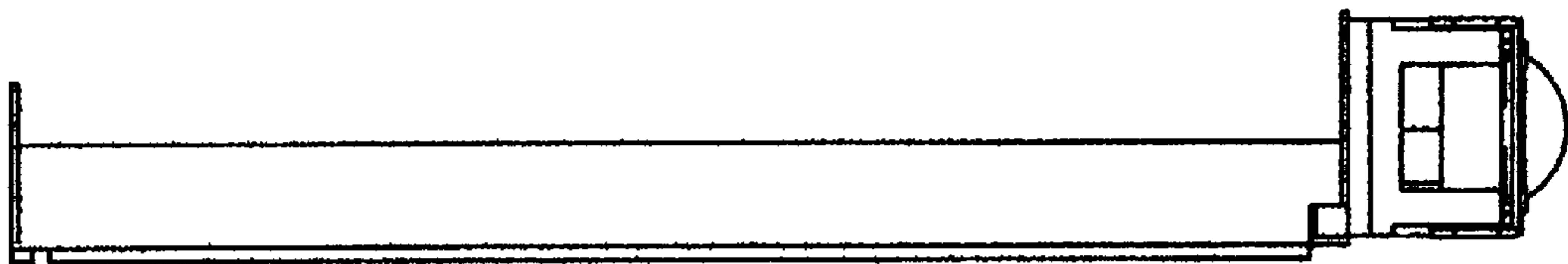


FIG. 5

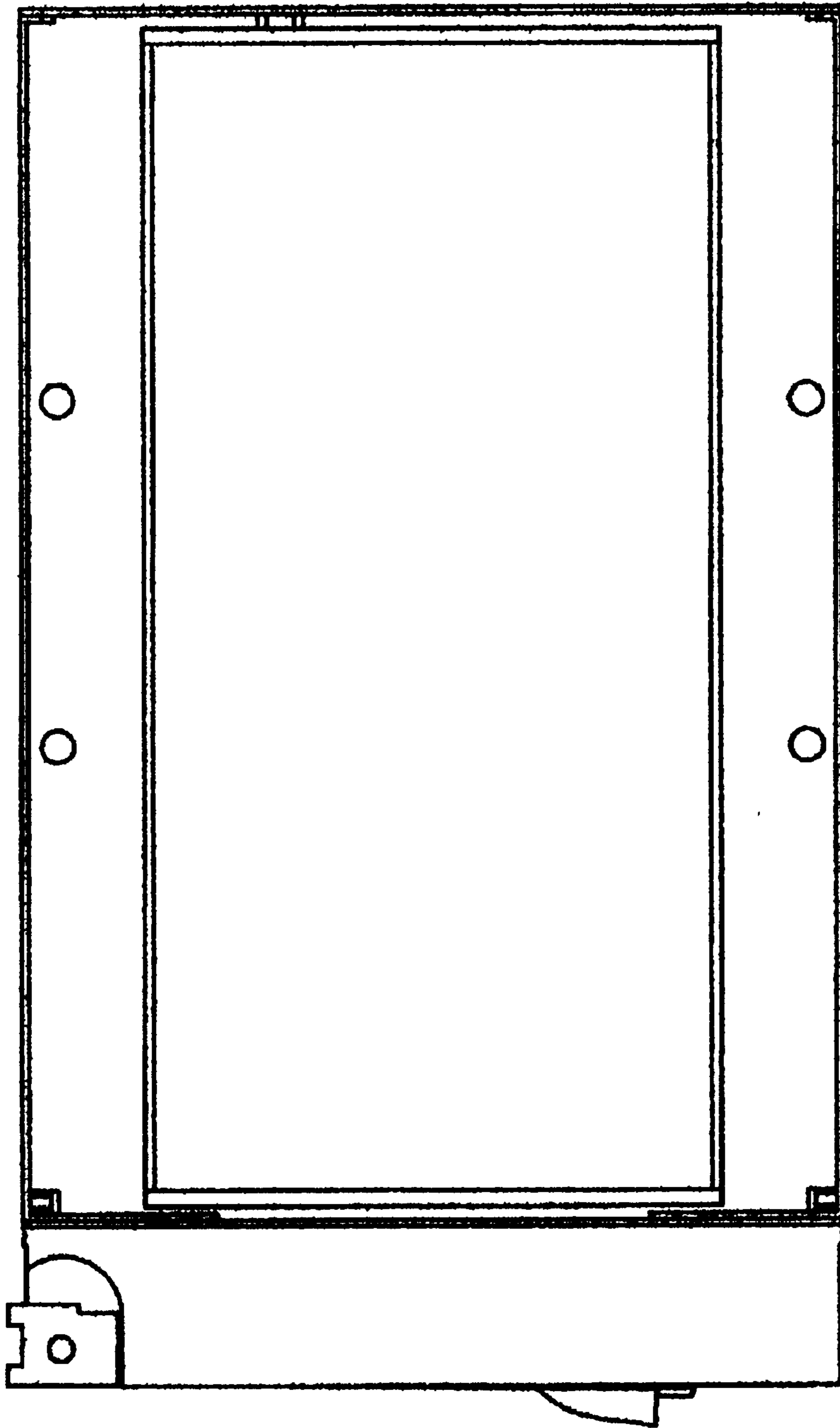


FIG. 6

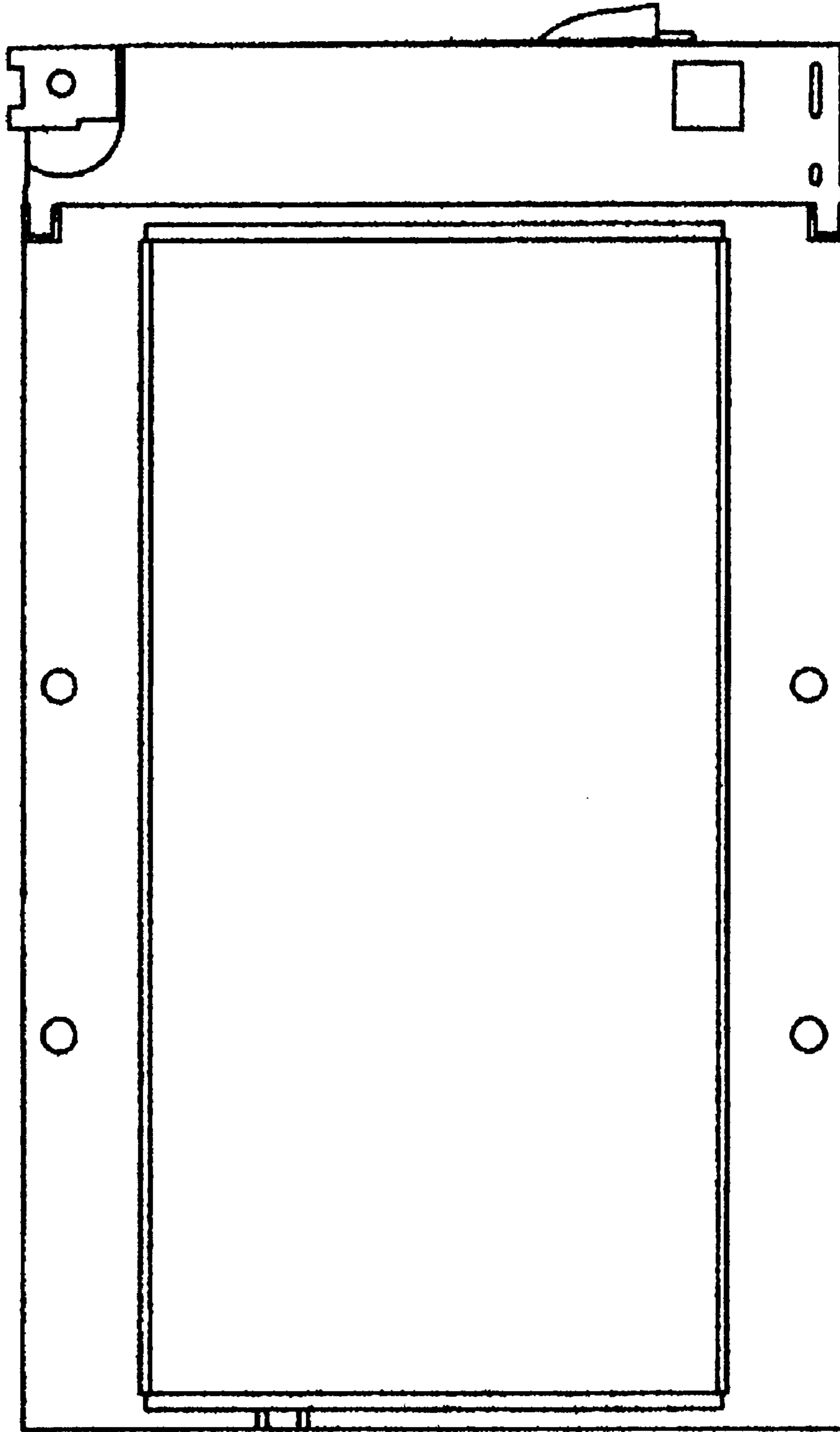


FIG. 7