



US00D490082S

(12) **United States Design Patent**  
**Lenaerts**

(10) **Patent No.:** **US D490,082 S**

(45) **Date of Patent:** **\*\* May 18, 2004**

(54) **APPARATUS FOR TESTING AND VIEWING JEWELRY**

(75) **Inventor:** **Christian Marie Joseph Ghislain**  
**Corneille Lenaerts, Bierges (BE)**

(73) **Assignee:** **Overseas Diamonds N.V., Antwerp (BE)**

(\*\*) **Term:** **14 Years**

(21) **Appl. No.:** **29/160,774**

(22) **Filed:** **May 14, 2002**

(30) **Foreign Application Priority Data**

Apr. 4, 2002 (GB) ..... 3002725

(51) **LOC (7) Cl.** ..... **14-02**

(52) **U.S. Cl.** ..... **D14/439; D9/432; D9/422**

(58) **Field of Search** ..... **D14/432, 439, D14/368; D10/46, 47, 75, 81, 82, 83; 428/64.4, 694 ML, 694 ST; D9/422-432**

(56) **References Cited**

**U.S. PATENT DOCUMENTS**

- D200,443 S 2/1965 Deegan
- D200,444 S 2/1965 Bijvoet et al.
- D280,706 S 9/1985 Franek et al.
- D318,227 S 7/1991 Halm
- D321,174 S \* 10/1991 Tsuchiya ..... D14/368
- D321,175 S \* 10/1991 Tsuchiya ..... D14/368

- D323,290 S 1/1992 Keedy, Jr.
- D324,492 S 3/1992 Nickerson
- D324,493 S 3/1992 Nickerson
- D358,764 S 5/1995 Robbins, III
- D424,719 S 5/2000 Freeman
- D428,814 S 8/2000 Silvers et al.
- D442,860 S 5/2001 Symons et al.
- D450,244 S 11/2001 Rashid
- 2002/0034155 A1 \* 3/2002 Usami ..... 369/286
- 2002/0177011 A1 \* 11/2002 Matsumoto ..... 428/694 ML

\* cited by examiner

*Primary Examiner*—Kay H. Chin

(74) *Attorney, Agent, or Firm*—Knobbe, Martens, Olson & Bear, LLP

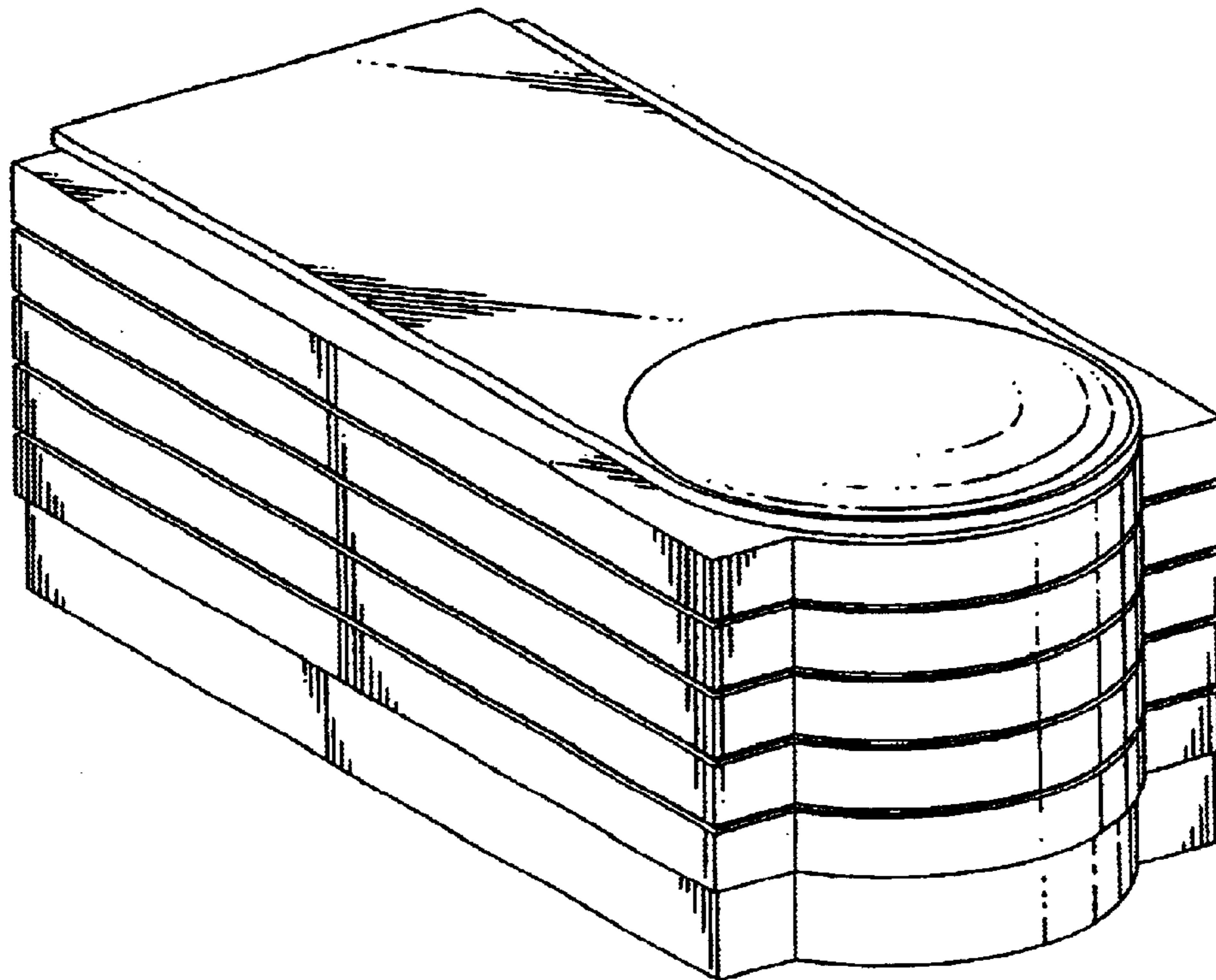
(57) **CLAIM**

The ornamental design for an apparatus for testing and viewing jewelry, as shown and described.

**DESCRIPTION**

FIG. 1 is a perspective view of an apparatus for testing and viewing jewelry showing my new design; FIG. 2 is a left side elevation view thereof; FIG. 3 is a right side elevation view thereof; FIG. 4 is a top plan view thereof; FIG. 5 is a bottom plan view thereof; FIG. 6 is a front elevation view thereof; and, FIG. 7 is a rear elevation view thereof.

**1 Claim, 3 Drawing Sheets**



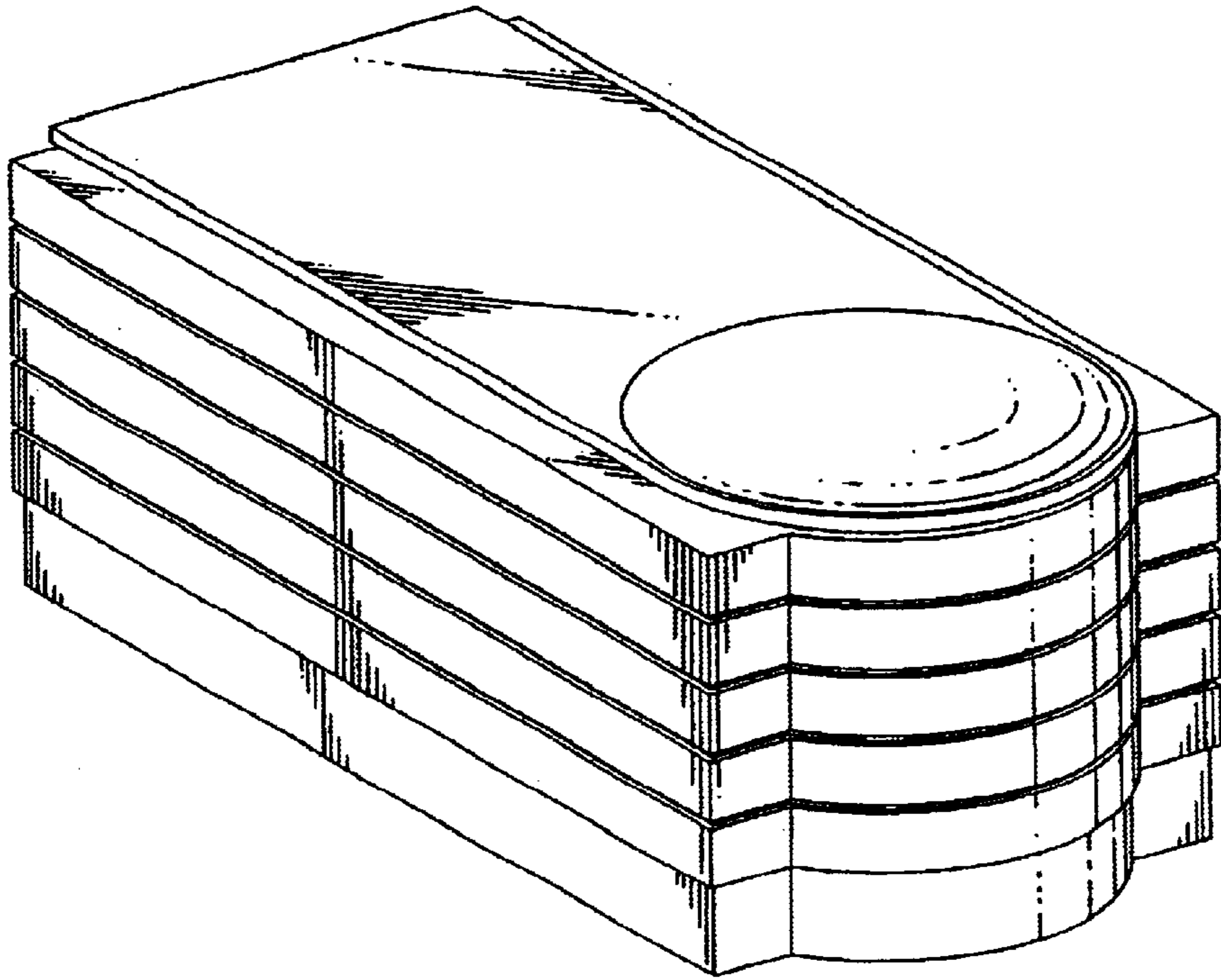


FIG. 1

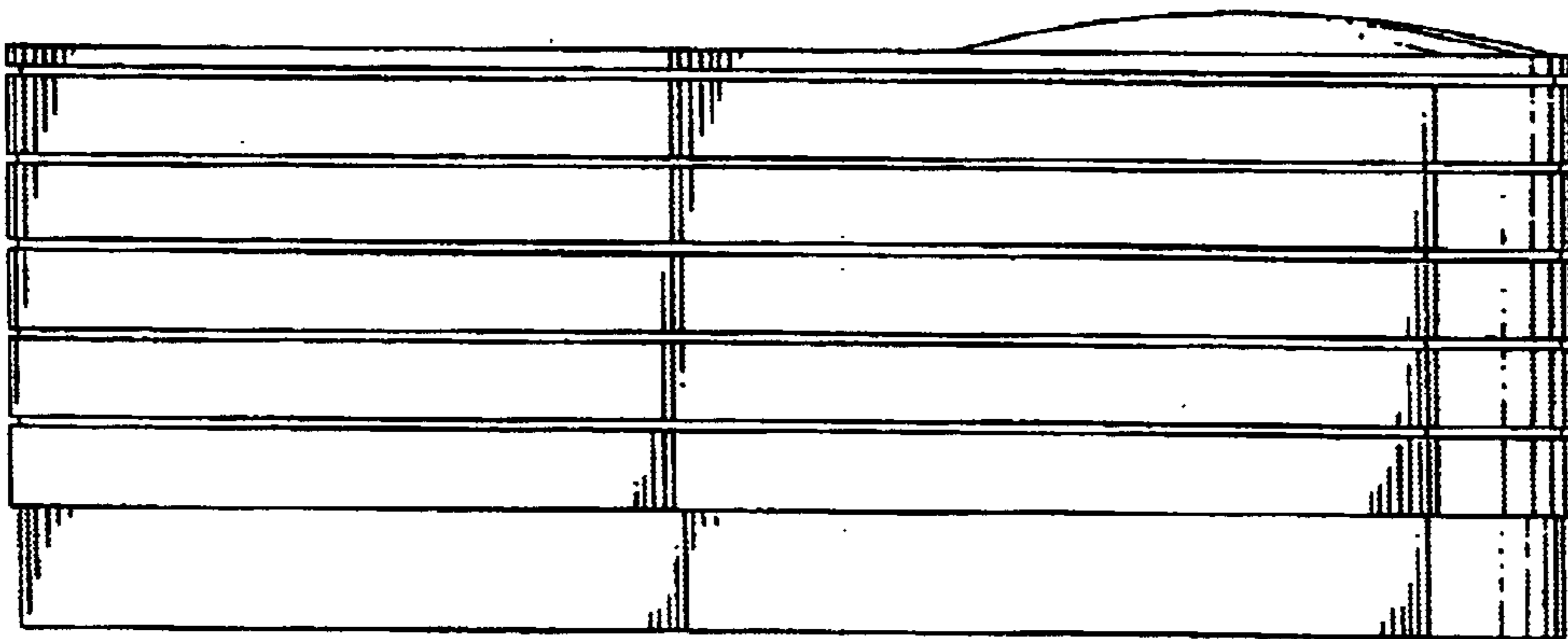


FIG. 2

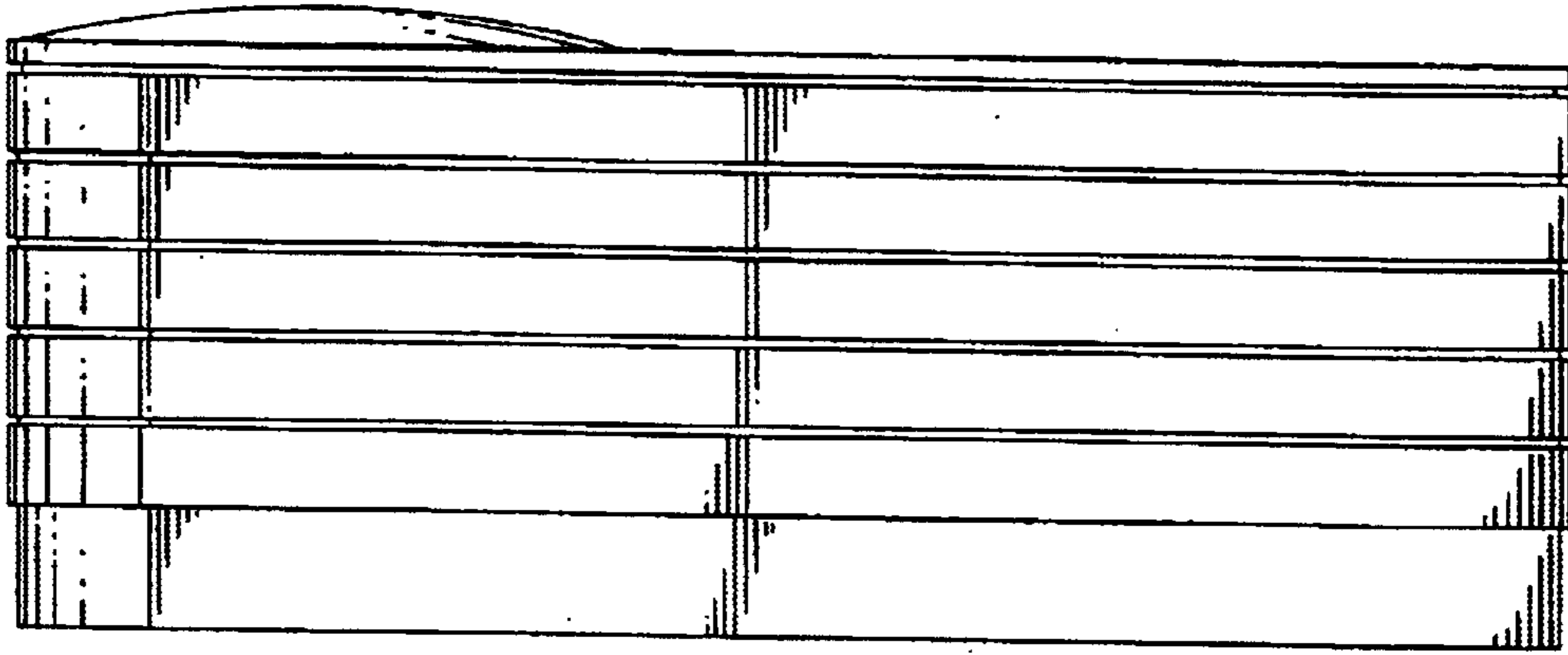


FIG. 3

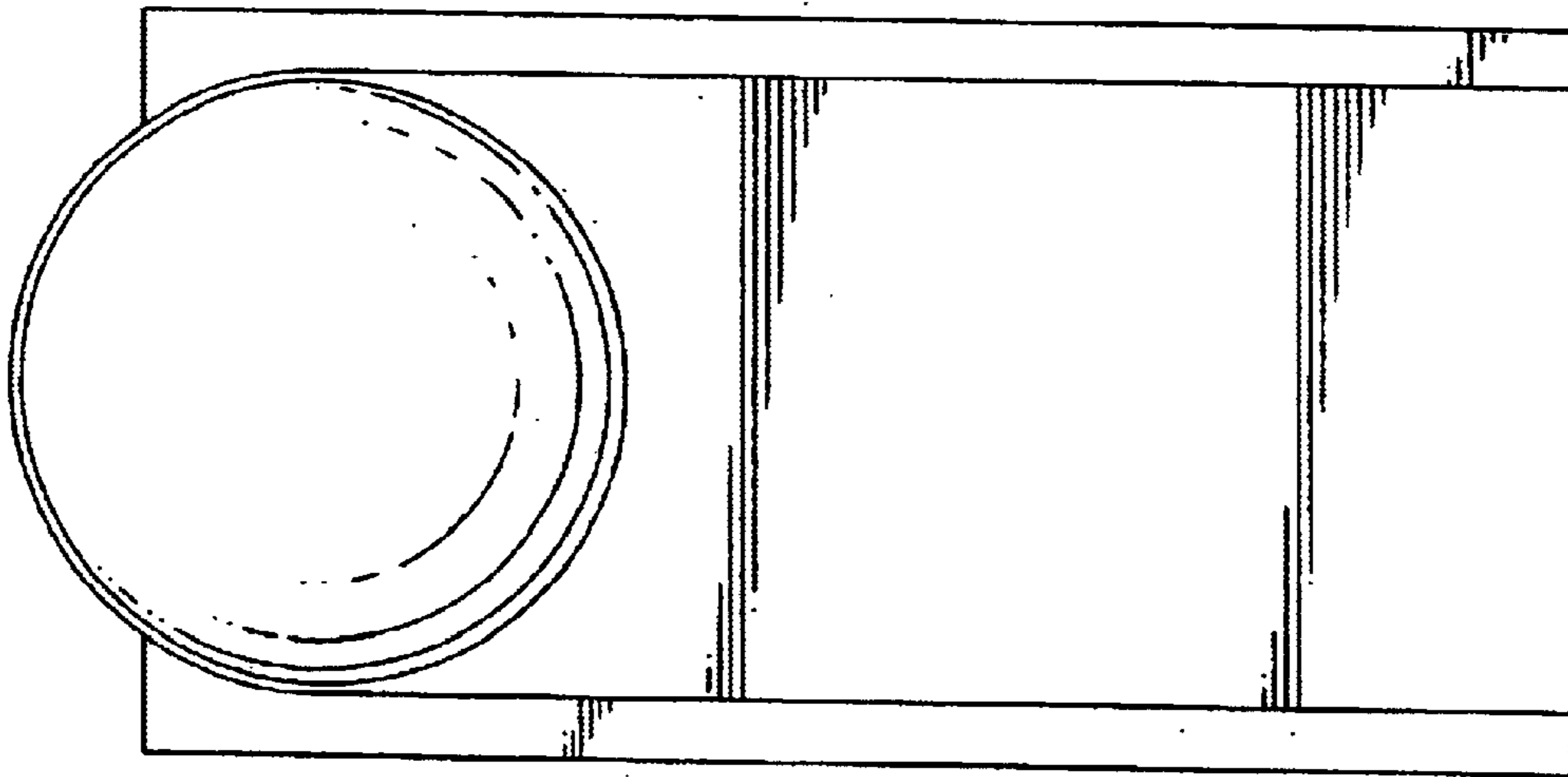


FIG. 4

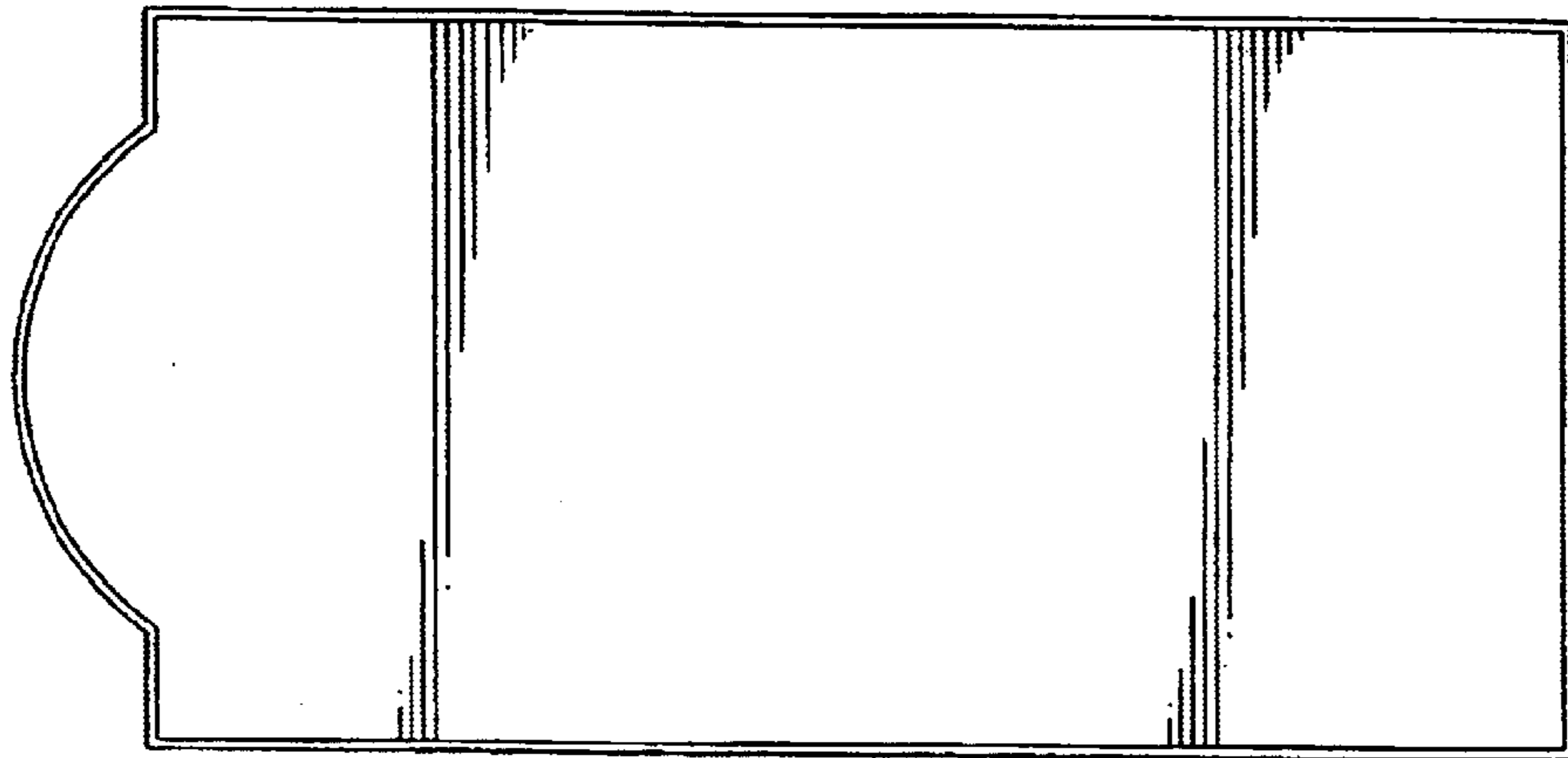


FIG. 5

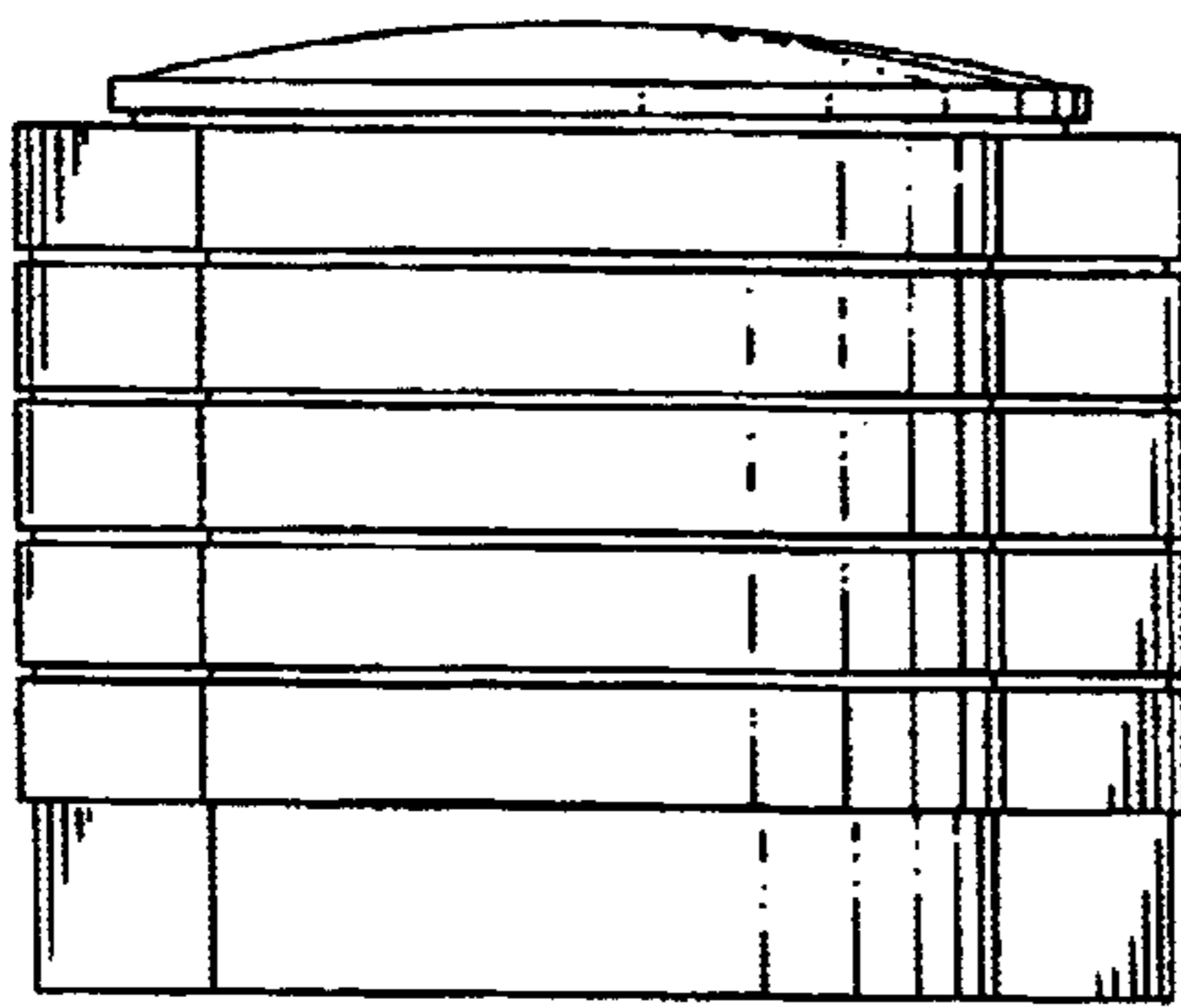


FIG. 6

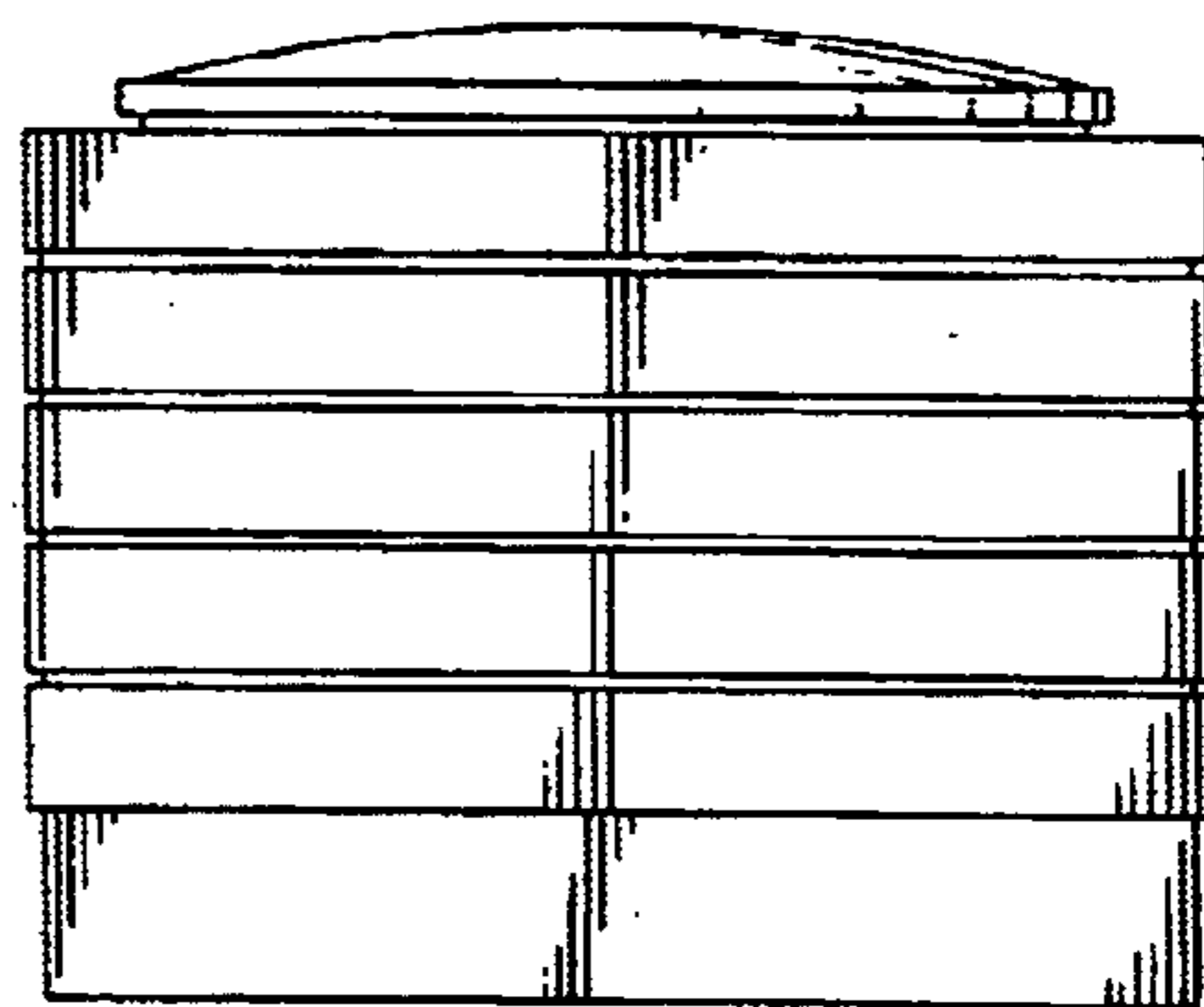


FIG. 7