



US00D490080S

(12) **United States Design Patent**
Alviar et al.

(10) **Patent No.:** **US D490,080 S**

(45) **Date of Patent:** **** May 18, 2004**

(54) **HOUSING FOR A NETWORK ADAPTER UNIT**

(75) Inventors: **Christopher G. Alviar**, Seattle, WA (US); **Chris A. Murzanski**, Issaquah, WA (US)

(73) Assignee: **Microsoft Corporation**, Redmond, WA (US)

(**) Term: **14 Years**

(21) Appl. No.: **29/167,538**

(22) Filed: **Sep. 18, 2002**

(51) **LOC (7) Cl.** **14-02**

(52) **U.S. Cl.** **D14/433; D13/123**

(58) **Field of Search** D14/432, 433; D13/133, 146, 147, 123; 333/181; 700/276; 340/310.01

(56) **References Cited**

U.S. PATENT DOCUMENTS

D291,310 S	8/1987	Ogura	
D346,806 S	5/1994	Chong	
D351,841 S	10/1994	Blankenship et al.	
D357,906 S	5/1995	Fukushima	
D358,380 S	5/1995	Sakaguchi	
D363,722 S	10/1995	Aldridge et al.	
D373,125 S	8/1996	Khoo	
D425,021 S	* 5/2000	Ko	D13/123
D431,231 S	9/2000	Goto	
D434,374 S	* 11/2000	Ko	D13/123

D436,919 S	*	1/2001	Wakefield et al.	D13/110
D452,863 S	*	1/2002	Madsen et al.	D14/433
D470,848 S	*	2/2003	Morooka	D14/433
D475,369 S		6/2003	Bone et al.		
D475,370 S		6/2003	Bone et al.		

FOREIGN PATENT DOCUMENTS

JP 30-0324332 5/2003

* cited by examiner

Primary Examiner—Kay H. Chin

(74) *Attorney, Agent, or Firm*—Banner & Witcoff, Ltd.

(57) **CLAIM**

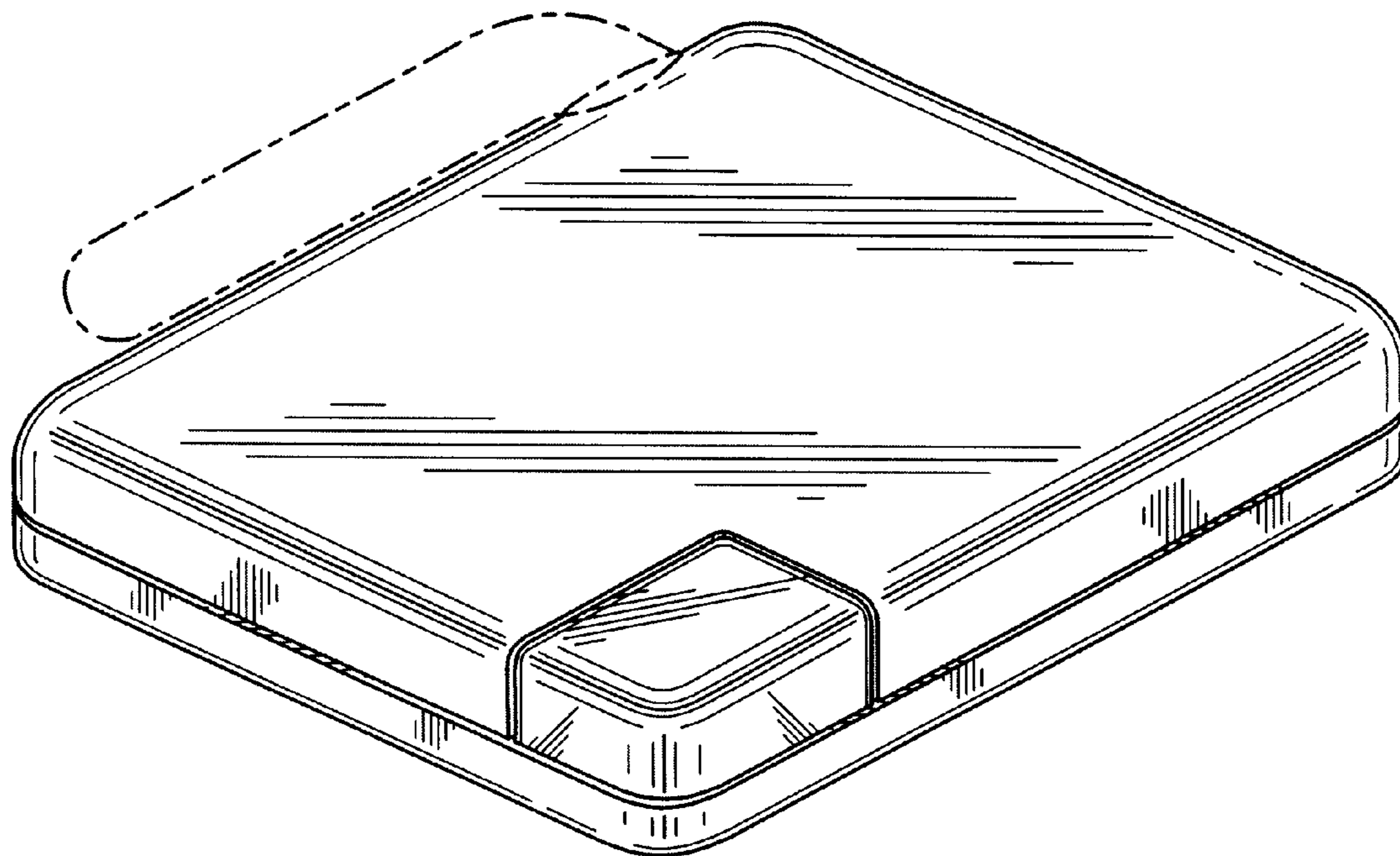
The ornamental design for a housing for a network adapter unit, as shown and described.

DESCRIPTION

FIG. 1 is a perspective view of a housing for a network adapter unit showing our new design; FIG. 2 is a top view thereof; FIG. 3 is a right side view thereof; FIG. 4 is a left side view thereof; FIG. 5 is a rear view thereof; and, FIG. 6 is a front view thereof.

The unshown bottom of the housing forms no part of the claimed design. The broken line showing of an antenna, the surrounding region, and a circular area in FIG. 5 is for illustrative purposes only and forms no part of the claimed design.

1 Claim, 2 Drawing Sheets



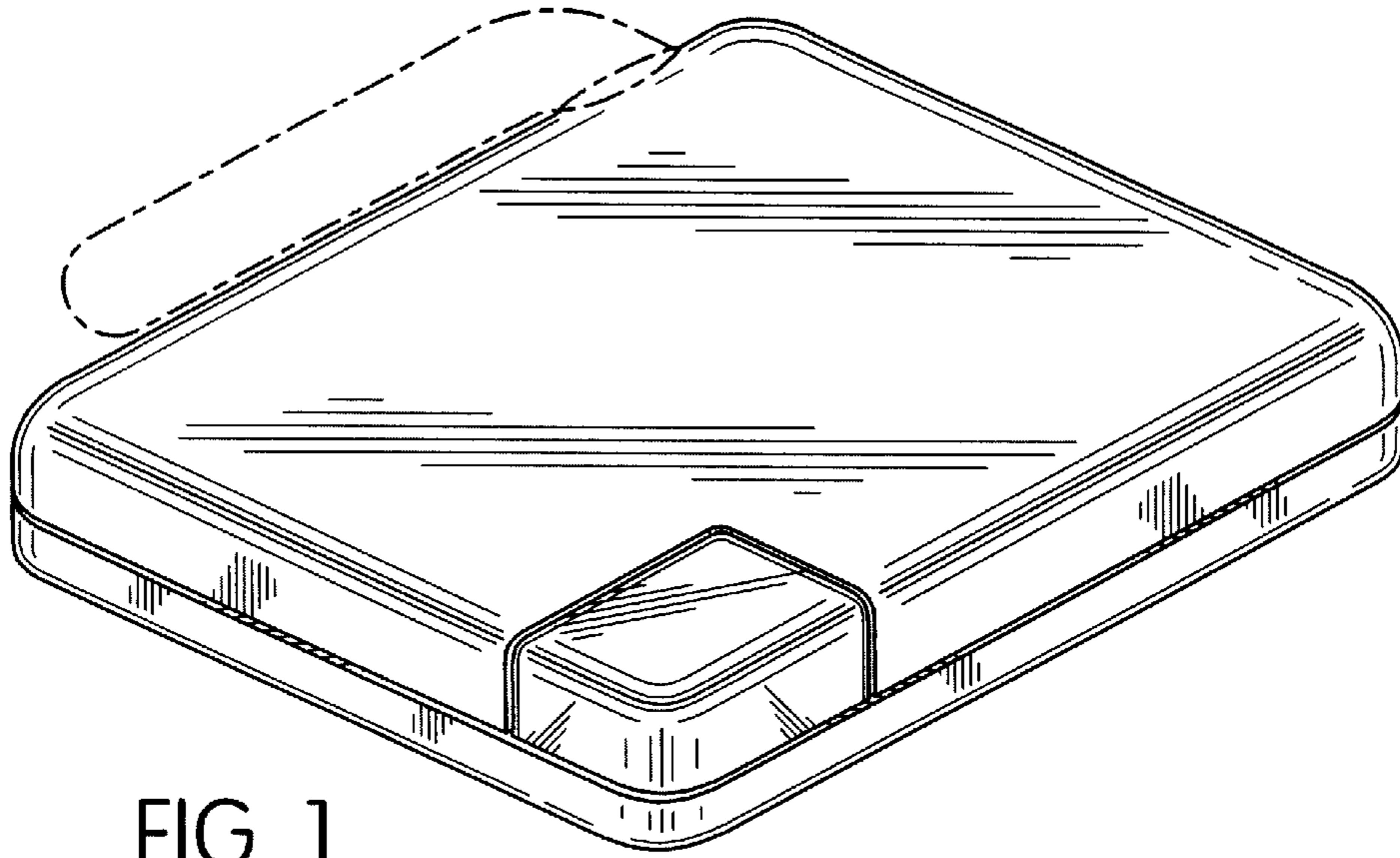


FIG. 1

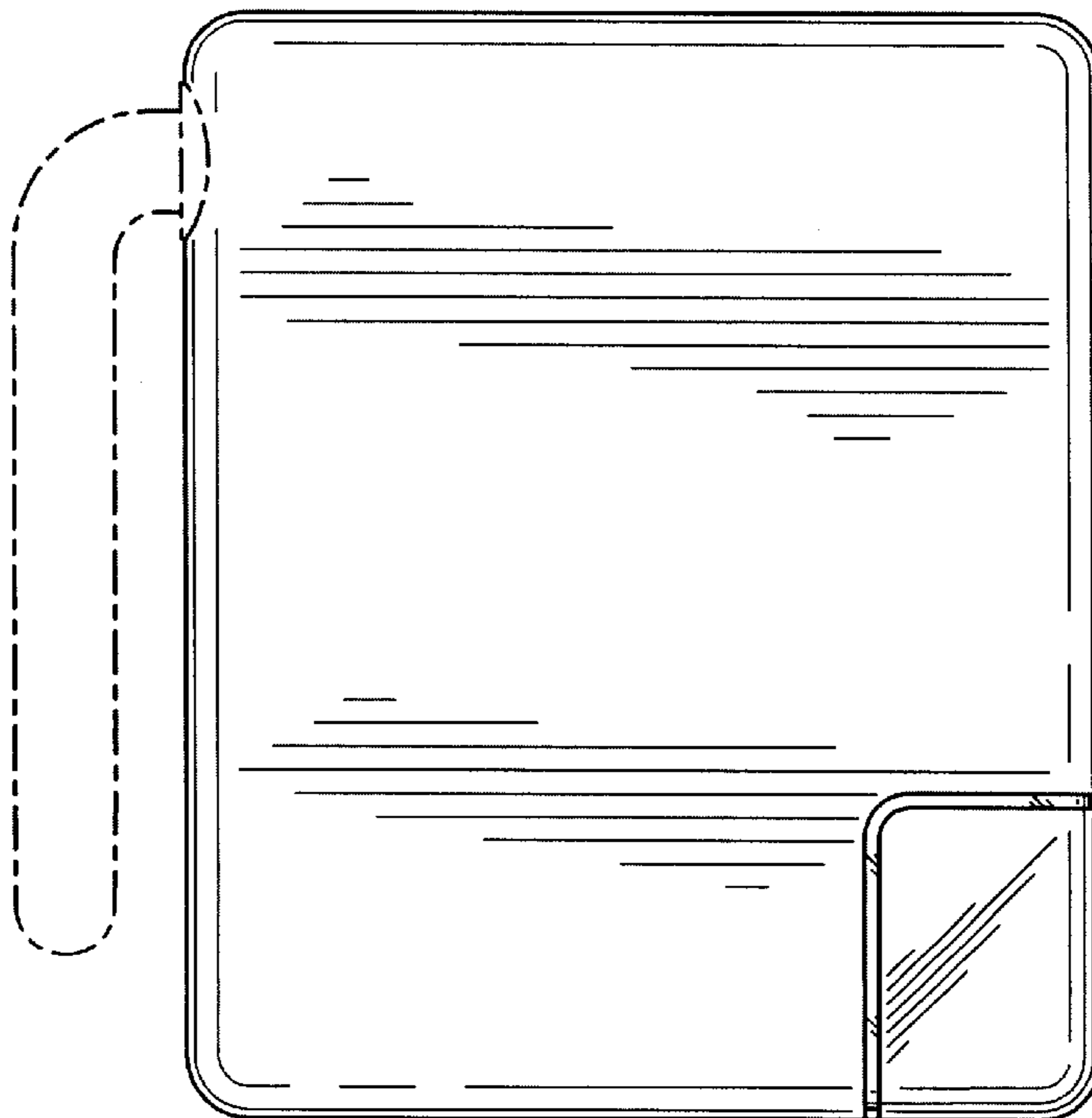


FIG. 2

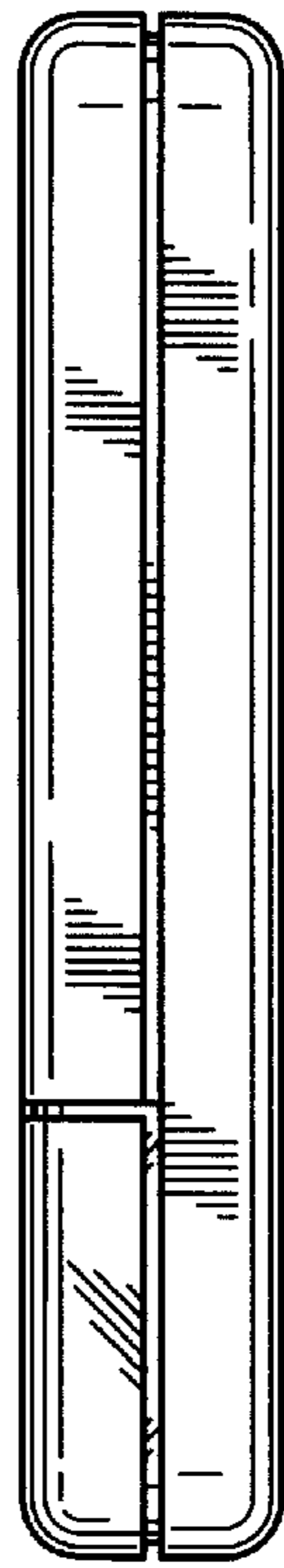


FIG. 3

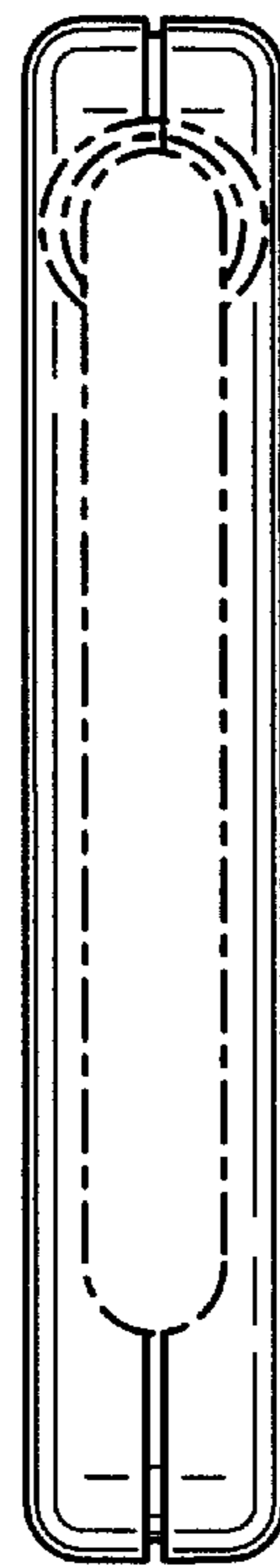


FIG. 4

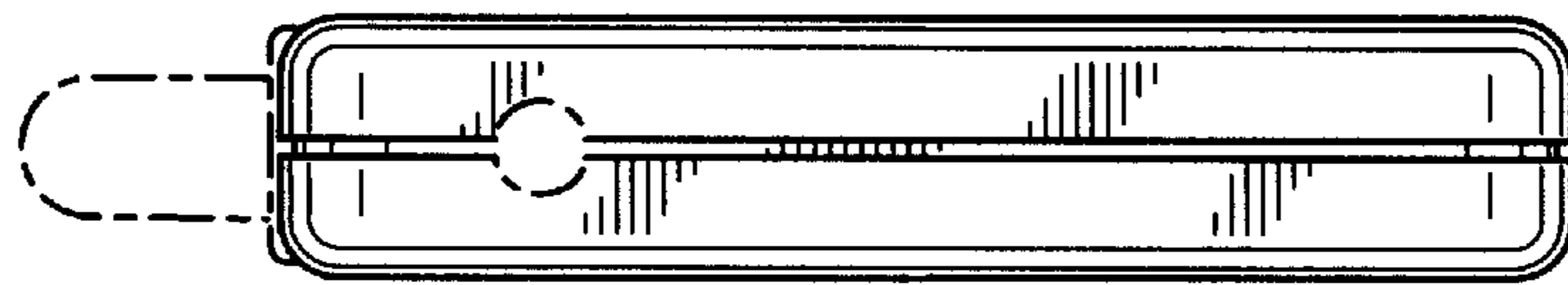


FIG. 5

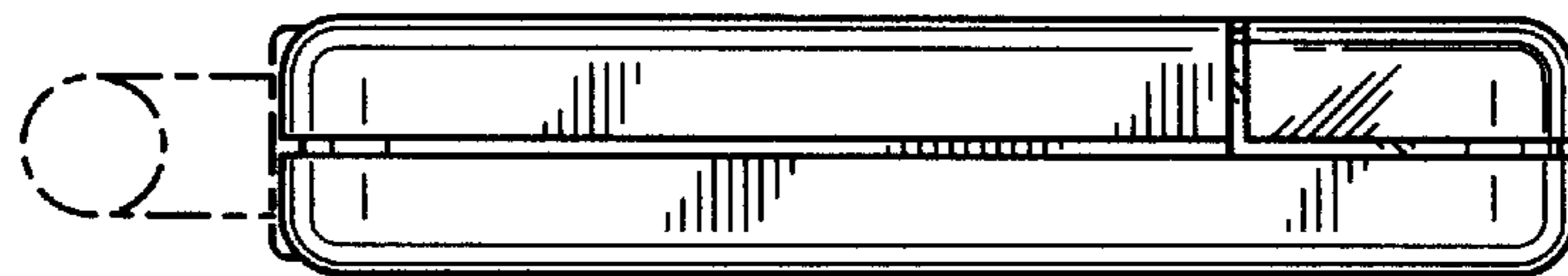


FIG. 6