



US00D490059S

(12) **United States Design Patent**  
**Conway et al.**

(10) **Patent No.:** **US D490,059 S**

(45) **Date of Patent:** **\*\* May 18, 2004**

(54) **CONNECTOR ADAPTER**

(75) Inventors: **Christopher J. Conway**, Wilmot, NH (US); **Martin Young**, Sharon, VT (US); **Terry Raymond**, White River Junction, VT (US); **Darrin H. MacKenzie**, Windsor, VT (US)

(73) Assignee: **Thermal Dynamics Corporation**, West Lebanon, NH (US)

(\*\*) Term: **14 Years**

(21) Appl. No.: **29/167,047**

(22) Filed: **Sep. 9, 2002**

(51) **LOC (7) Cl.** ..... **13-03**

(52) **U.S. Cl.** ..... **D13/146**

(58) **Field of Search** ..... D13/133, 146, D13/154; 439/314-322, 680, 752

(56) **References Cited**

**U.S. PATENT DOCUMENTS**

- 3,685,004 A \* 8/1972 Kerr ..... 439/314 X
- 4,090,759 A \* 5/1978 Herrmann, Jr. .... 439/320 X
- 4,193,655 A \* 3/1980 Herrmann, Jr. .... 439/680 X
- 4,255,007 A \* 3/1981 Michaels et al. .... 439/332

- 4,483,579 A \* 11/1984 Derr et al. .... 439/317
- 4,820,204 A \* 4/1989 Batty ..... 439/681
- 5,505,632 A \* 4/1996 Hayashi et al. .... 439/318
- D371,112 S \* 6/1996 Anthony ..... D13/146
- 5,993,266 A \* 11/1999 Mayer et al. .... 439/680
- D424,525 S \* 5/2000 Katwala ..... D13/154
- 2003/0040228 A1 \* 2/2003 Finzer et al. .... 439/752

\* cited by examiner

*Primary Examiner*—Joel Sincavage

(74) *Attorney, Agent, or Firm*—Harness, Dickey & Pierce, P.L.C.

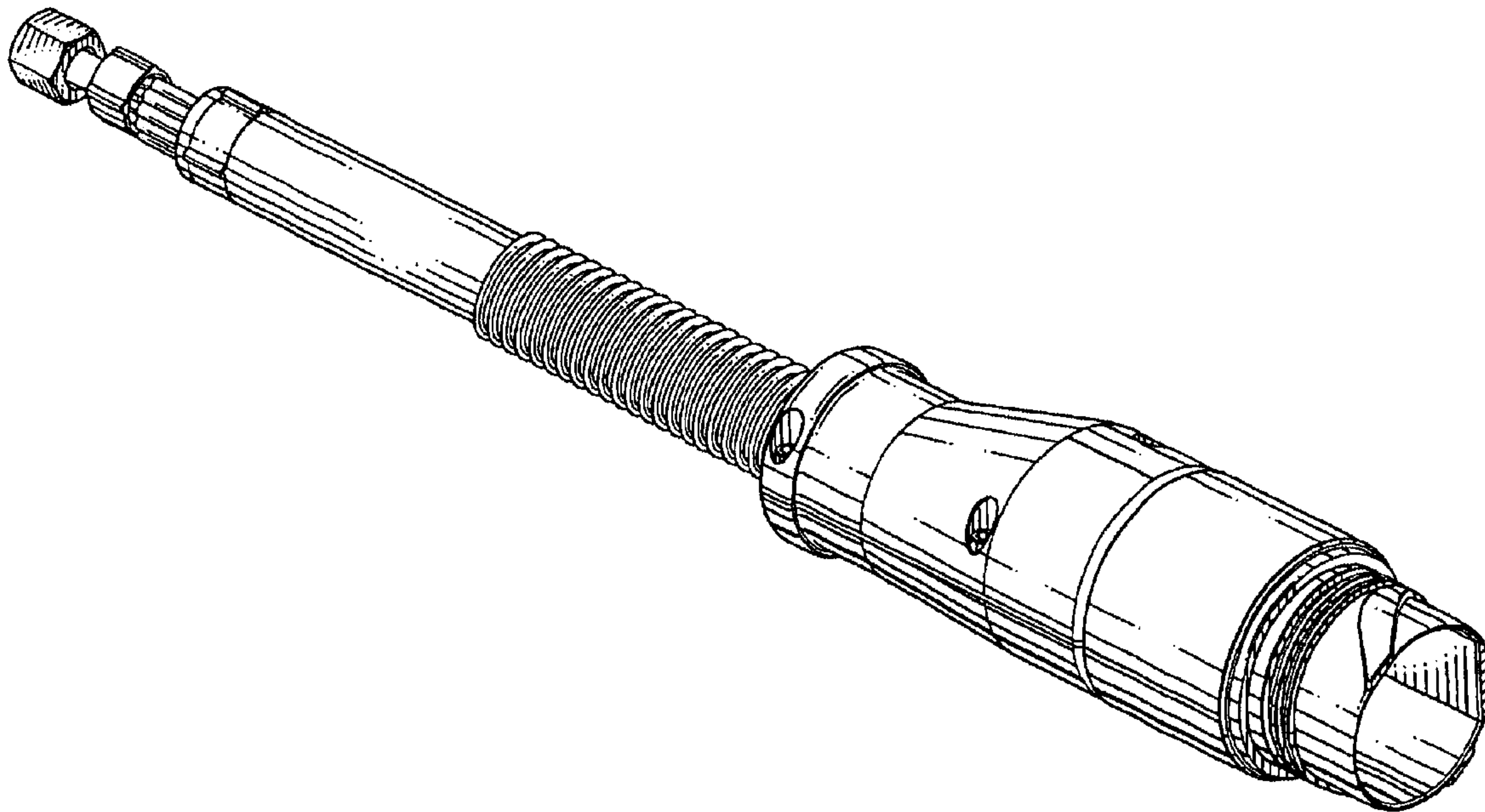
(57) **CLAIM**

The ornamental design for a connector adapter, as shown and described.

**DESCRIPTION**

FIG. 1 is a perspective view from the lower right distal end of the connector adapter;  
 FIG. 2 is a perspective view from the upper right proximal end thereof;  
 FIG. 3 is a left side elevation view thereof;  
 FIG. 4 is a right side elevation view thereof;  
 FIG. 5 is a top plan view thereof; and,  
 FIG. 6 is a bottom plan view thereof.

**1 Claim, 6 Drawing Sheets**



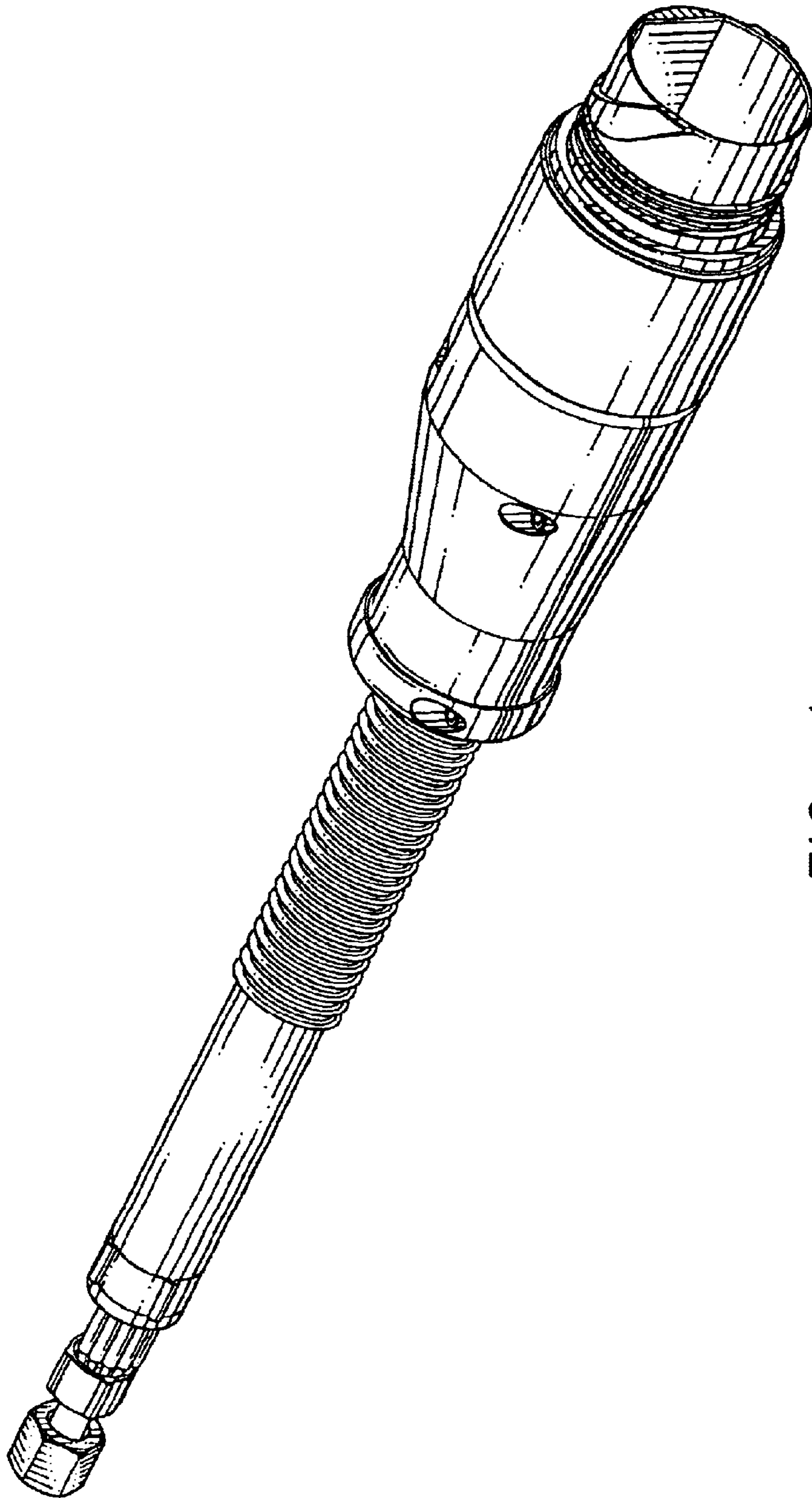


FIG. 1

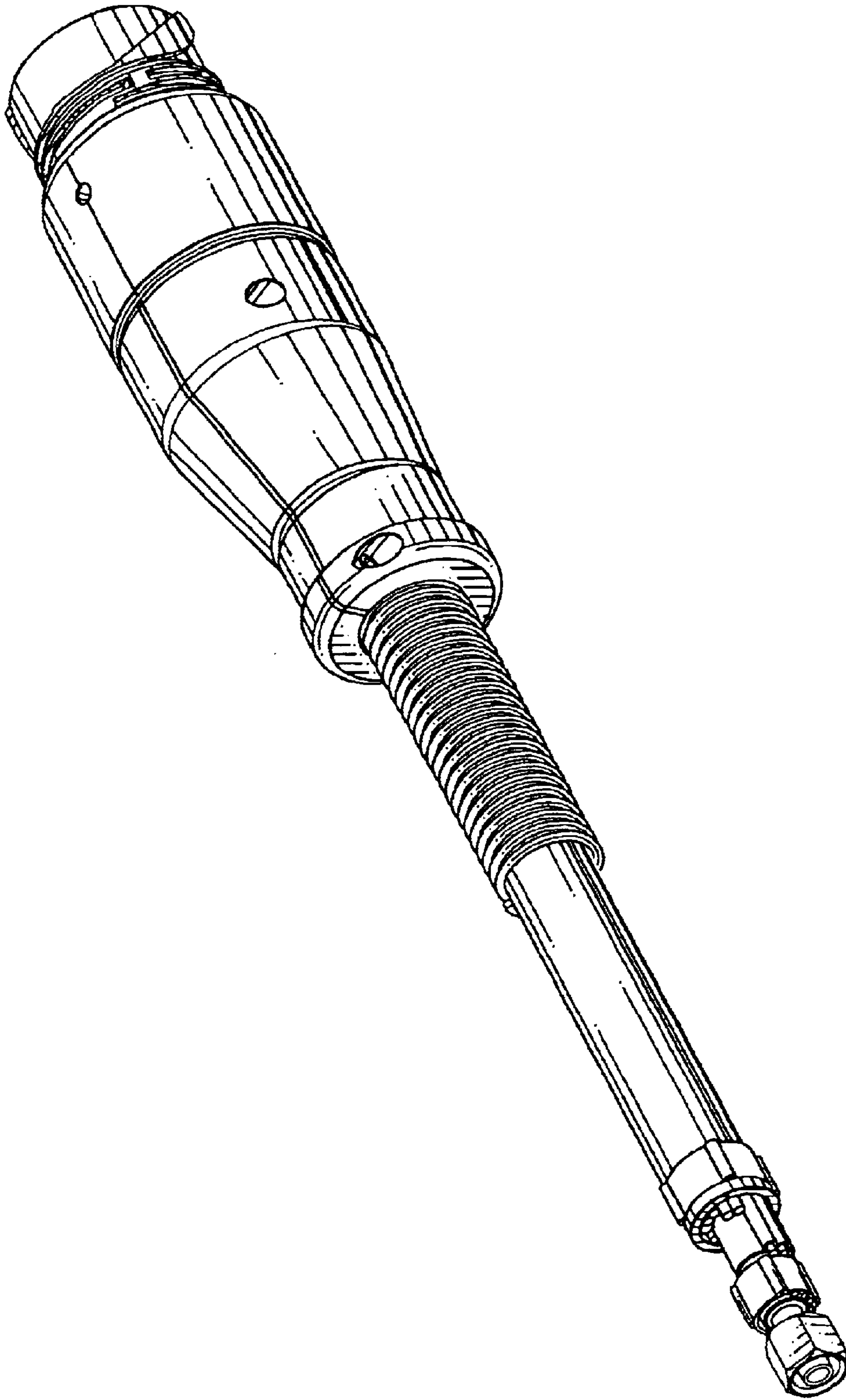


FIG. 2

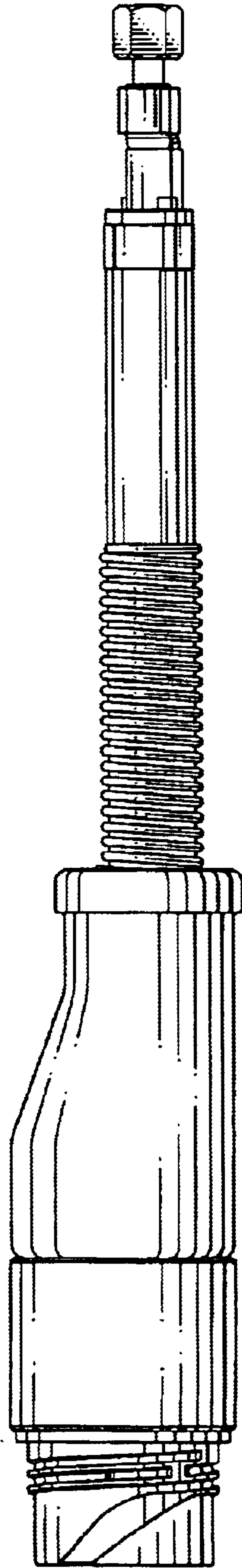


FIG. 3



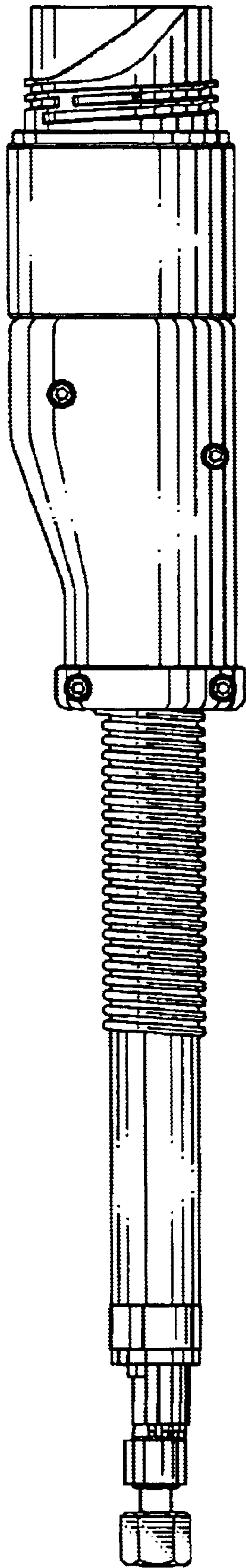


FIG. 4

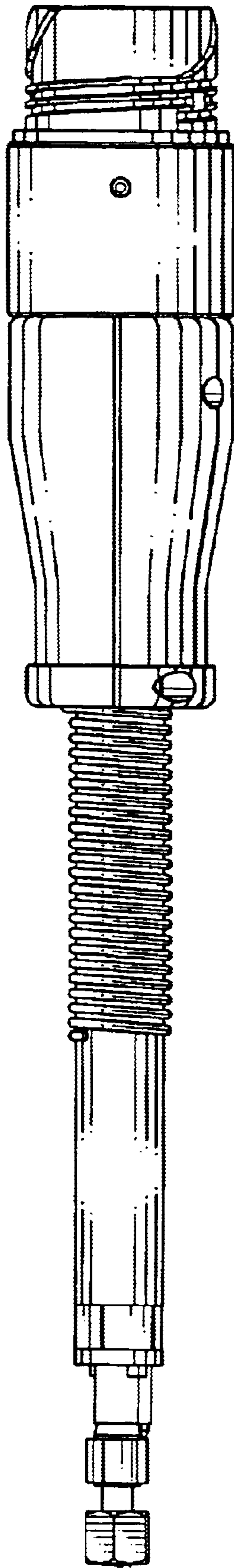


FIG. 5

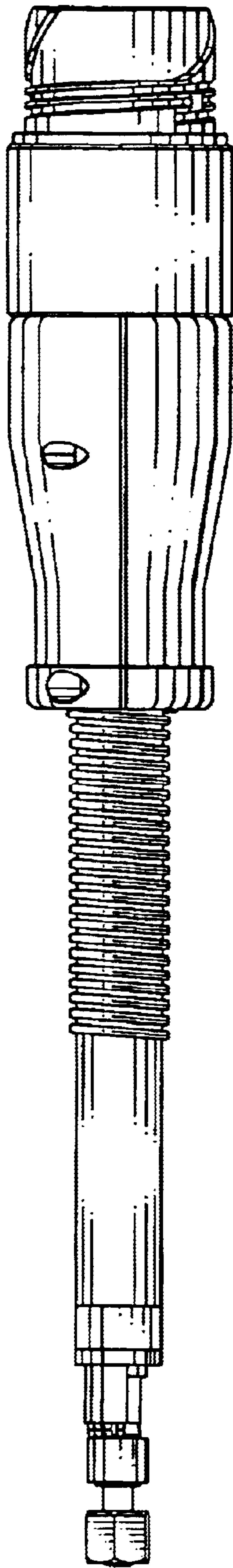


FIG. 6