



US00D490054S

(12) **United States Design Patent**  
**Johnson et al.**

(10) **Patent No.:** **US D490,054 S**

(45) **Date of Patent:** **\*\* May 18, 2004**

(54) **BATTERY COVER**

(75) Inventors: **Scott E. Johnson**, Cordova, TN (US);  
**Anthony C. Edwards**, Bartlett, TN  
(US); **John W. Reinagel, Jr.**, Cordova,  
TN (US)

(73) Assignee: **AutoZone, Inc.**, Memphis, TN (US)

(\*\*) Term: **14 Years**

(21) Appl. No.: **29/179,609**

(22) Filed: **Apr. 14, 2003**

(51) **LOC (7) Cl.** ..... **13-02**

(52) **U.S. Cl.** ..... **D13/119**

(58) **Field of Search** ..... D13/119; 429/136,  
429/175; 180/68.5

(56) **References Cited**

**U.S. PATENT DOCUMENTS**

D155,476 S \* 10/1949 Blakely ..... D13/119

D183,359 S \* 8/1958 Mallory ..... D13/119  
D228,351 S \* 9/1973 Smentek ..... D13/119  
D239,450 S \* 4/1976 Hennen ..... D13/119  
D335,863 S \* 5/1993 Delamoreaux et al. .... D13/119  
D337,987 S \* 8/1993 Delamoreaux et al. .... D13/119  
5,283,137 A 2/1994 Ching

\* cited by examiner

*Primary Examiner*—Joel Sincavage

(74) *Attorney, Agent, or Firm*—Shaw Pittman LLP

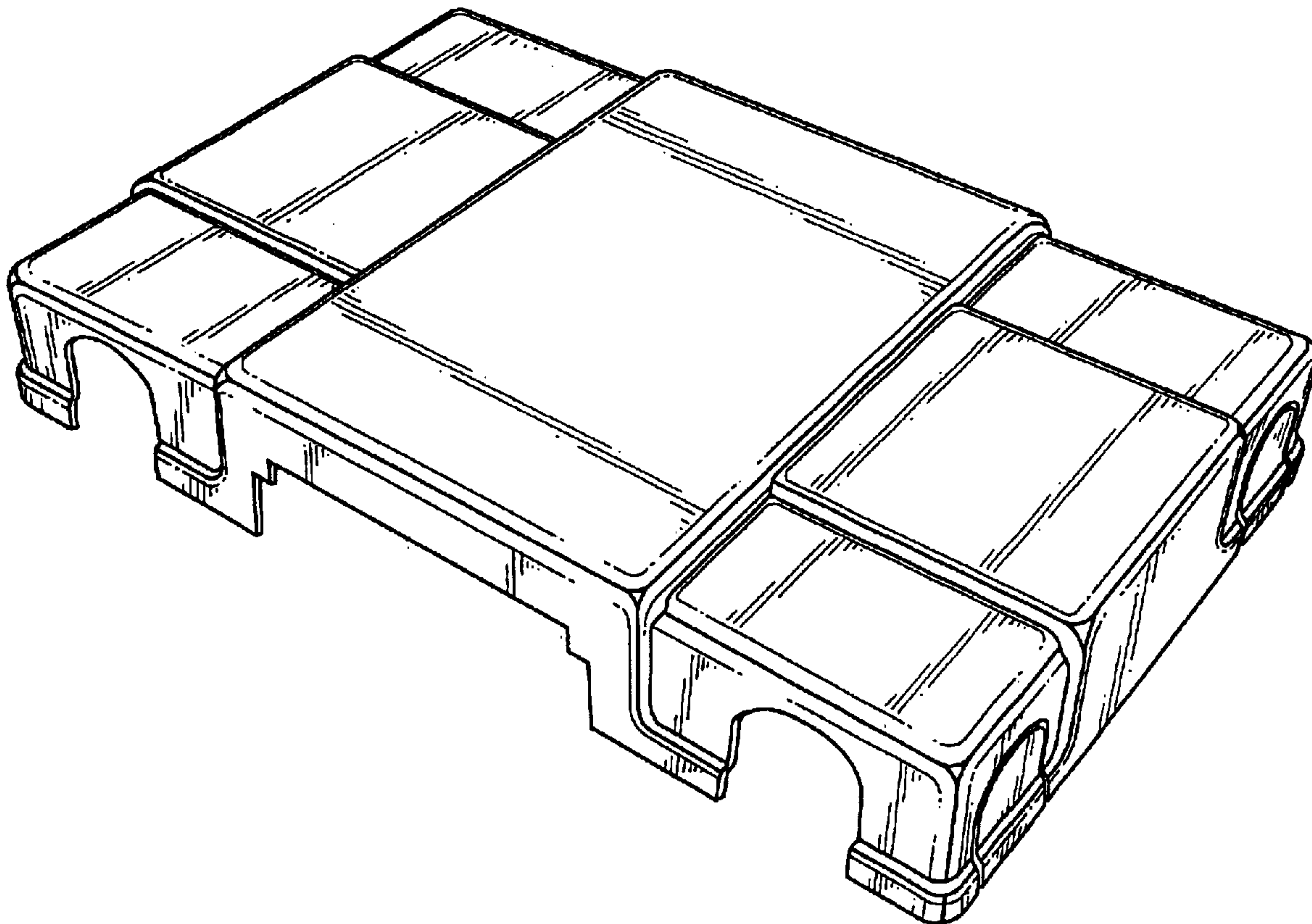
(57) **CLAIM**

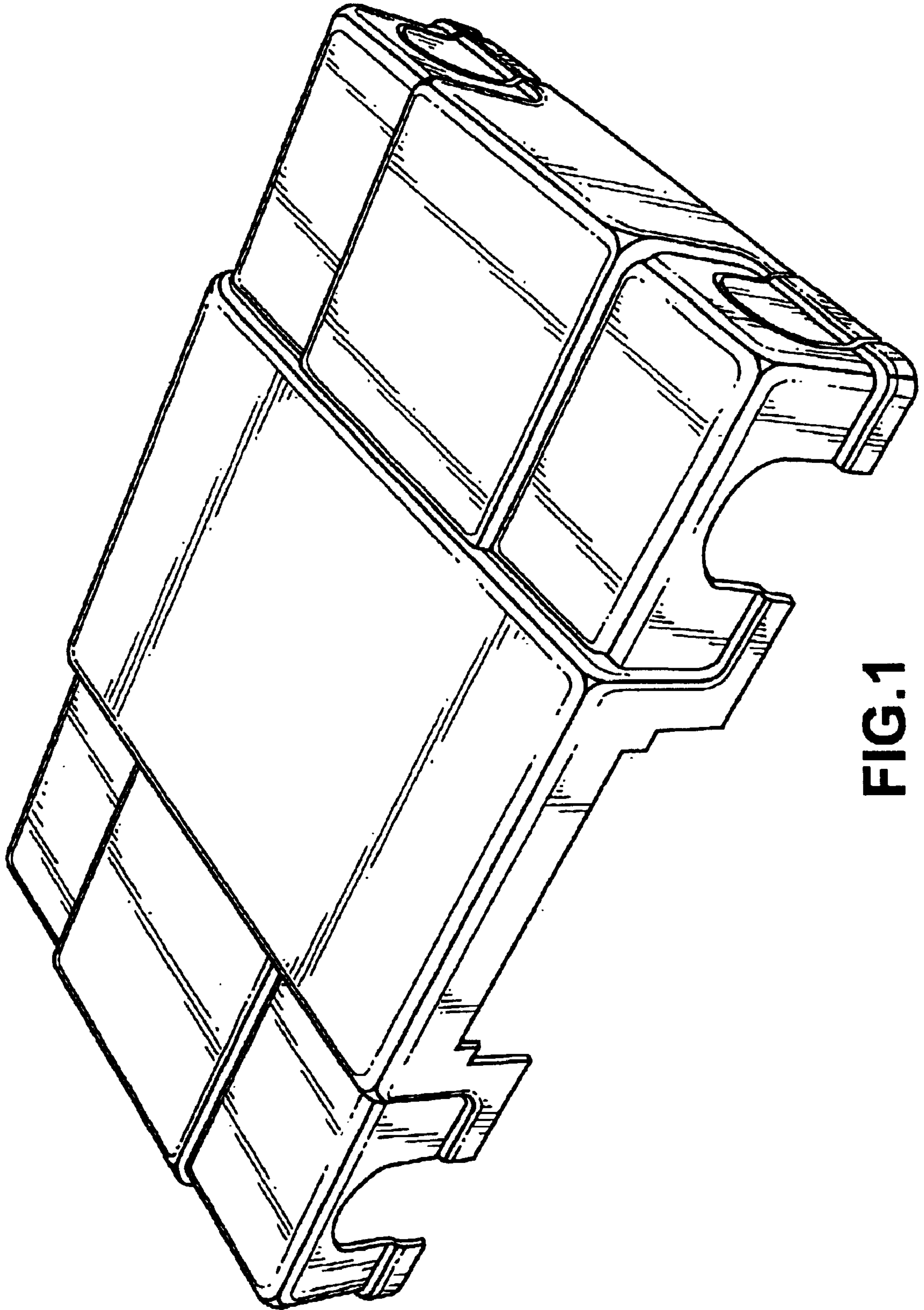
The ornamental design for a battery cover, as shown.

**DESCRIPTION**

FIG. 1 is a perspective view of a battery cover;  
FIG. 2 is a front elevation view thereof;  
FIG. 3 is a side elevation view thereof; and,  
FIG. 4 is a top plan view thereof.

**1 Claim, 3 Drawing Sheets**





**FIG.1**

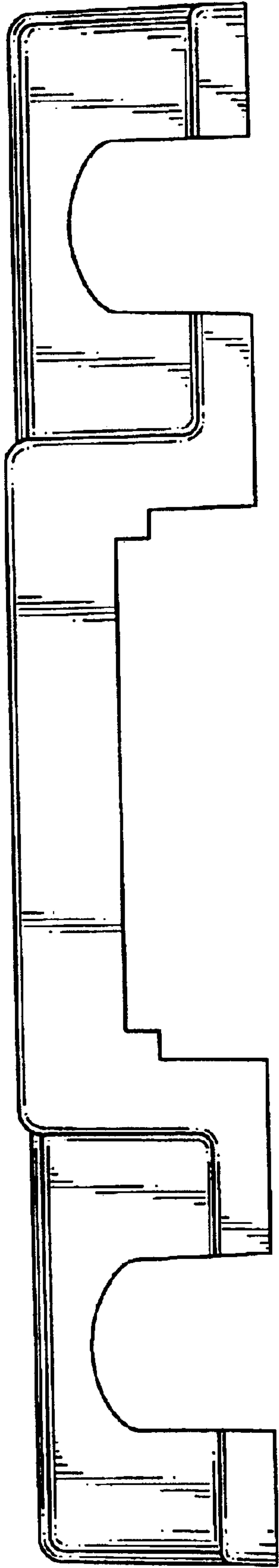


FIG. 2

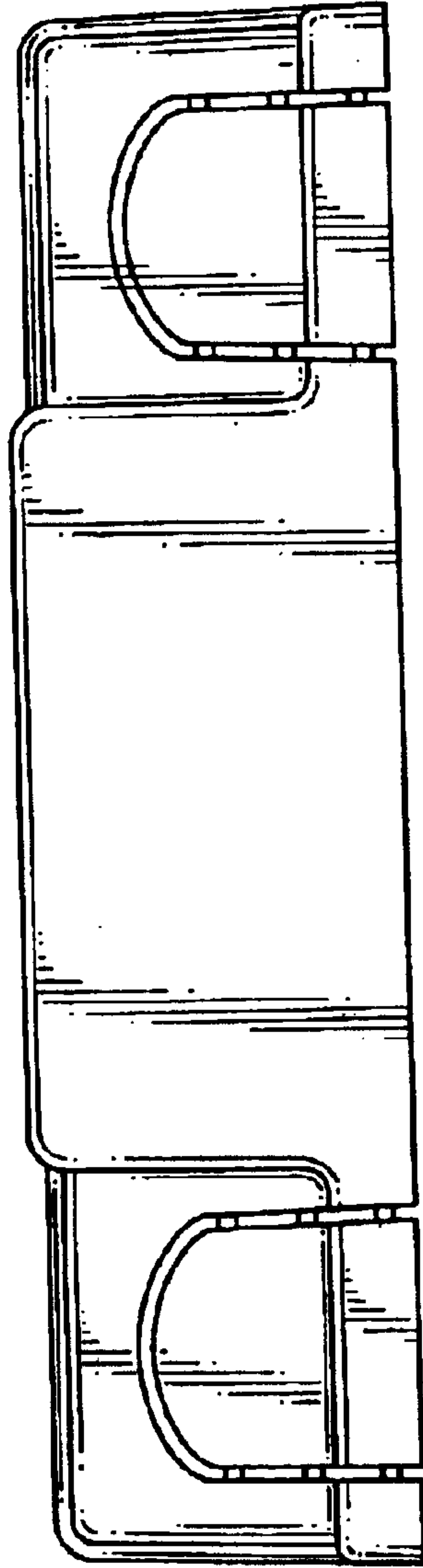
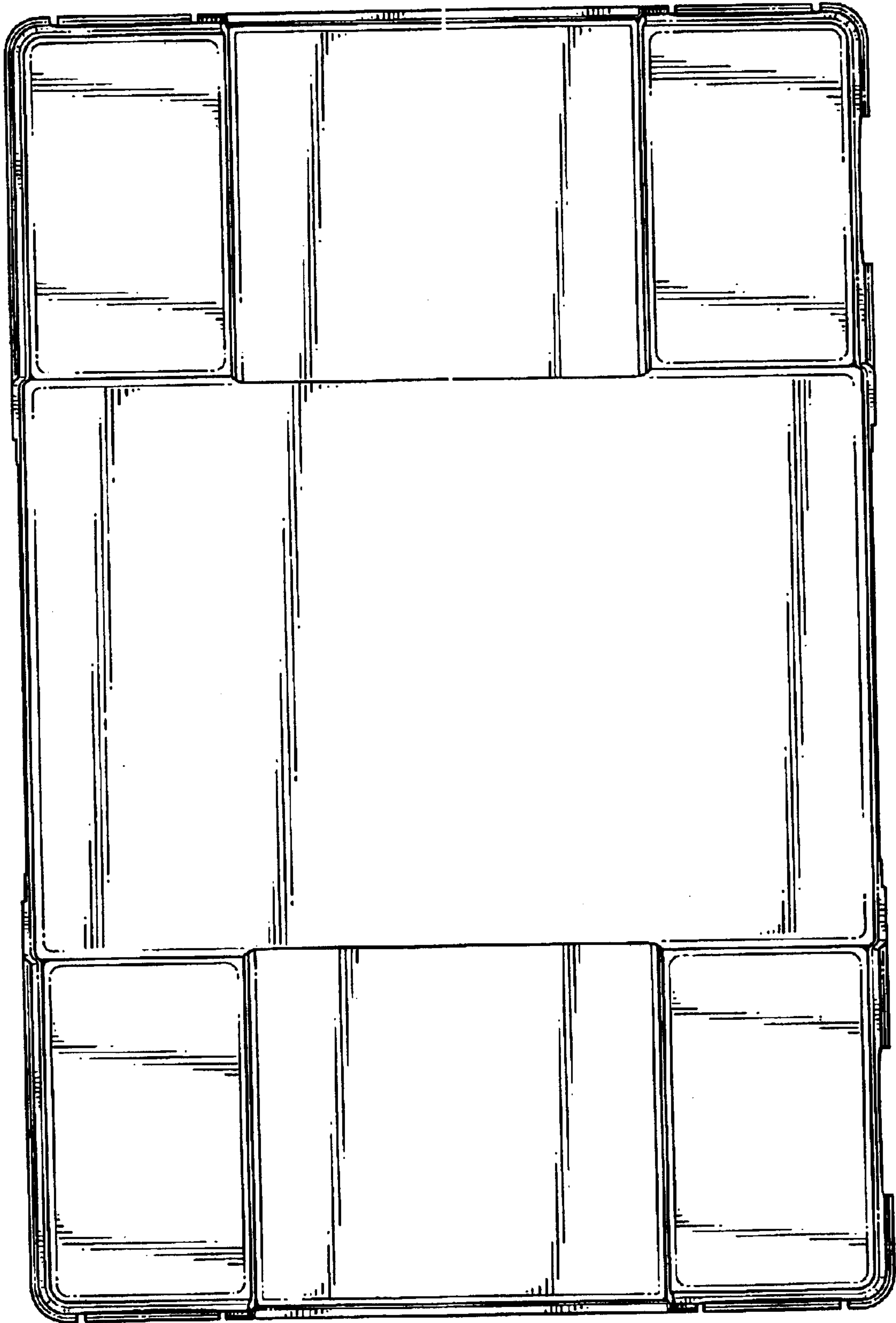


FIG. 3



**FIG.4**