



US00D490053S

(12) **United States Design Patent**
Shum

(10) **Patent No.:** **US D490,053 S**

(45) **Date of Patent:** **** May 18, 2004**

(54) **CHARGER**

D481,673 S * 11/2003 Hsu D13/107

(75) Inventor: **King Mo Shum**, Kowloon (CN)

* cited by examiner

(73) Assignee: **Jeckson Electric Co., Ltd.**, Kowloon (CN)

Primary Examiner—Joel Sincavage

(74) *Attorney, Agent, or Firm*—Alix, Yale & Ristas, LLP

(**) Term: **14 Years**

(57) **CLAIM**

The ornamental design for a charger, as shown and described.

(21) Appl. No.: **29/185,069**

(22) Filed: **Jun. 20, 2003**

DESCRIPTION

(51) **LOC (7) Cl.** **13-02**

FIG. 1 is a front view of the charger showing my new design;

(52) **U.S. Cl.** **D13/107**

FIG. 2 is a rear view of the charger of FIG. 1;

(58) **Field of Search** D13/107, 108;
D14/253; 320/107–115, 116–124

FIG. 3 is a bottom plan view of the charger of FIG. 1;

FIG. 4 is a top plan view of the charger of FIG. 1;

FIG. 5 is a left side view of the charger of FIG. 1;

FIG. 6 is a right side view of the charger of FIG. 1;

FIG. 7 is a front perspective view of the charger of FIG. 1; and,

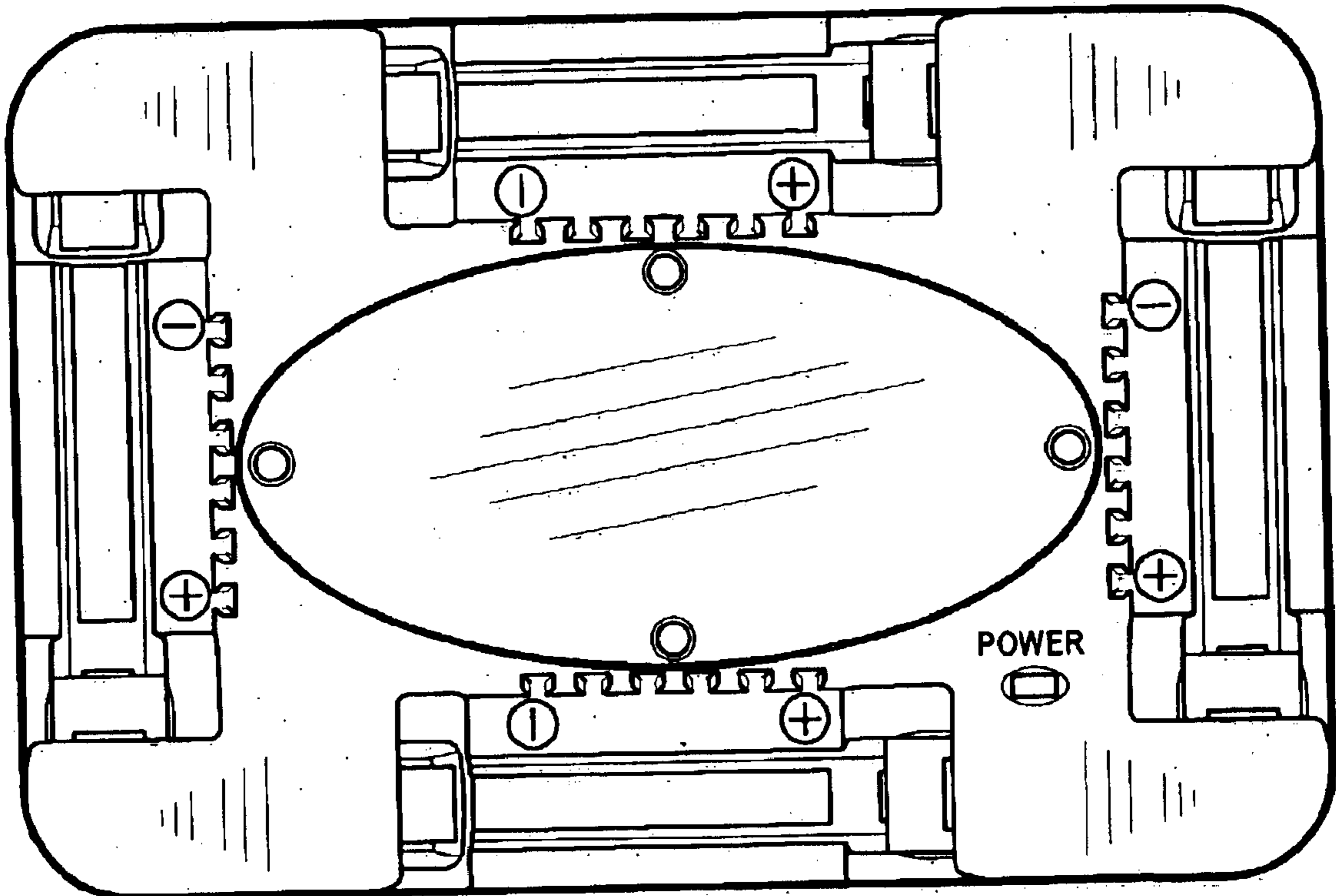
FIG. 8 is a rear perspective view of the charger of FIG. 1.

(56) **References Cited**

U.S. PATENT DOCUMENTS

D240,433 S	*	7/1976	Krapowicz	D13/108
D250,469 S	*	12/1978	Kelly et al.	D13/107
D298,136 S	*	10/1988	Toth et al.	D13/107
D298,230 S	*	10/1988	Lay	D13/107
D399,821 S	*	10/1998	Tyneski et al.	D13/118

1 Claim, 4 Drawing Sheets



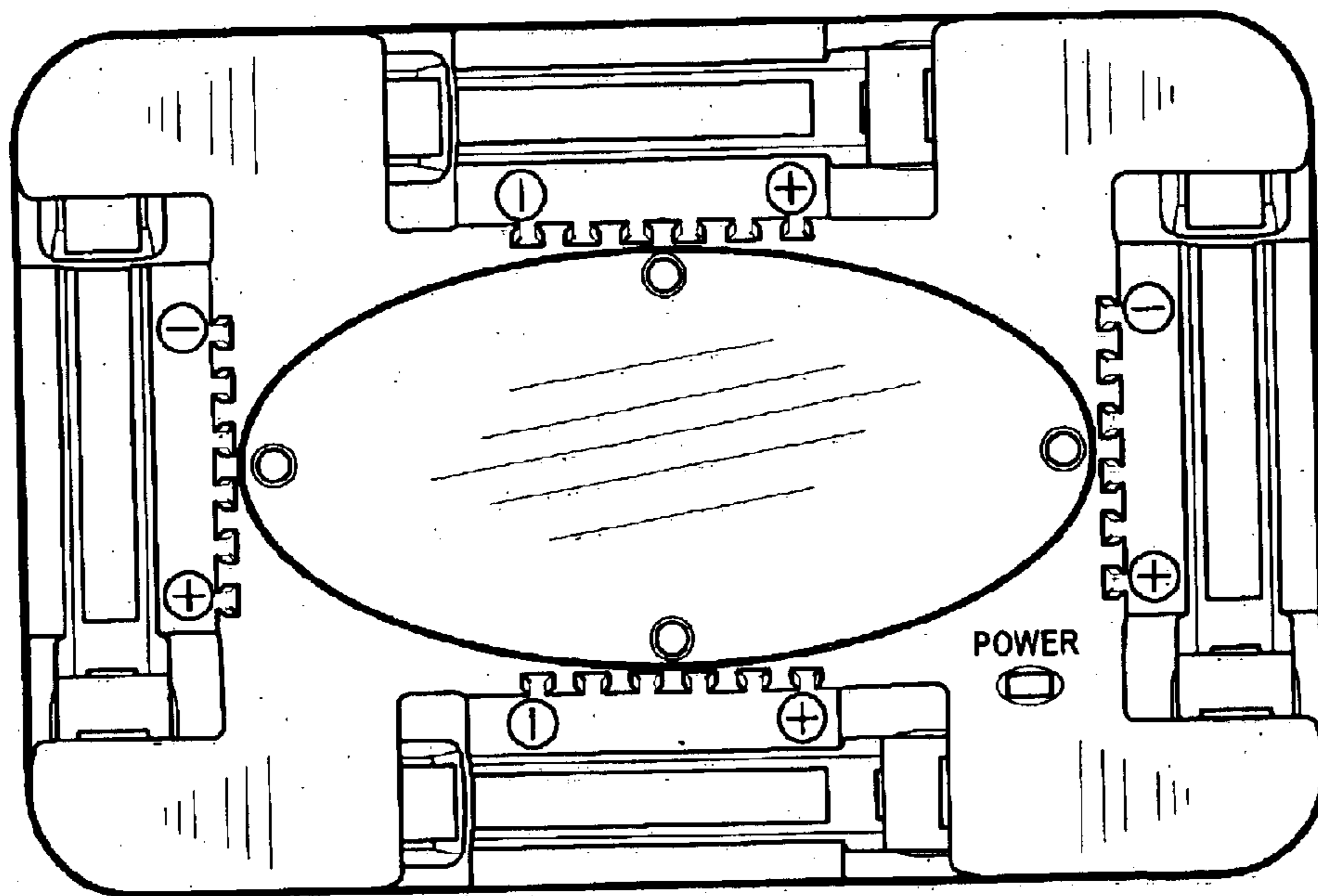


FIG. 1

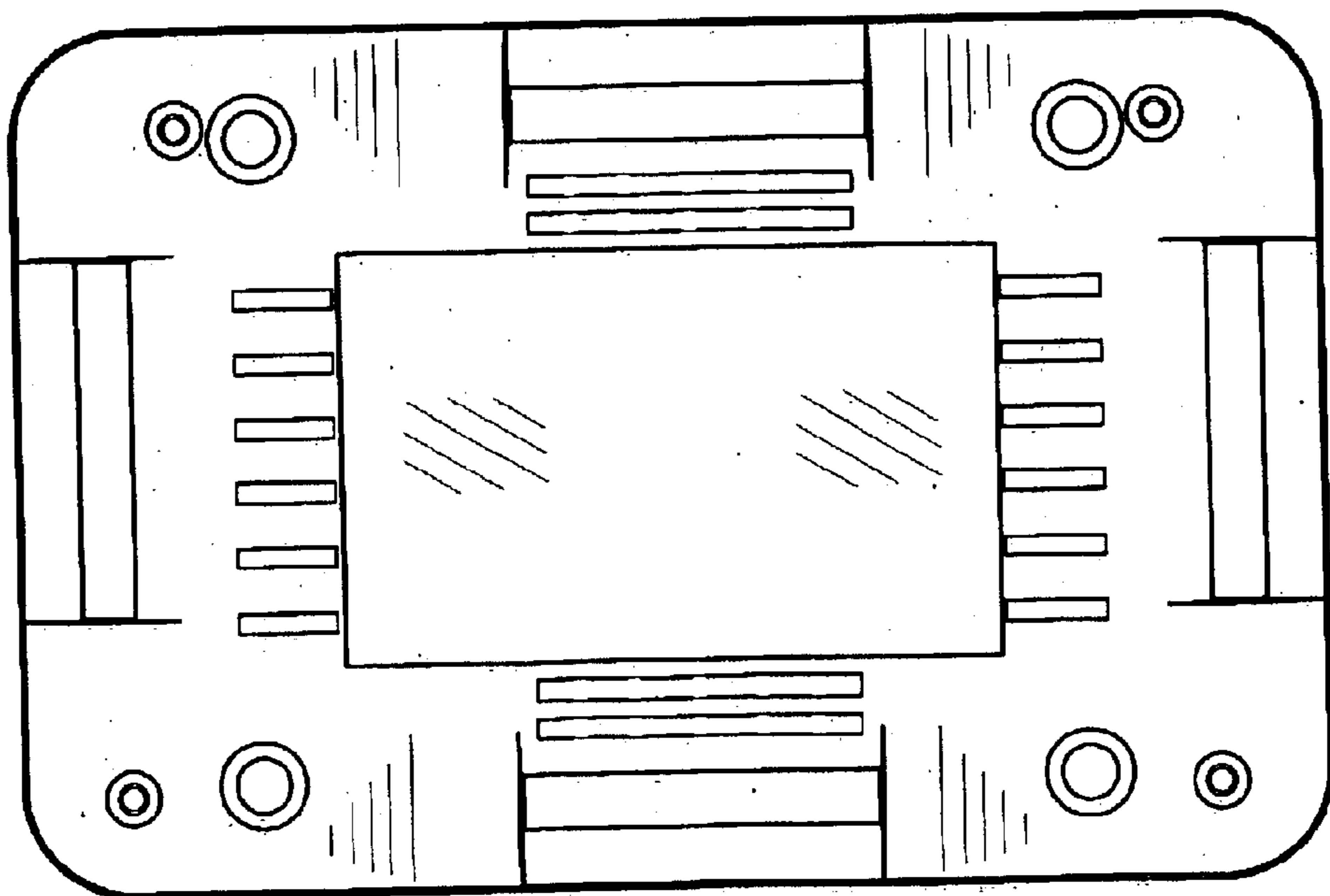


FIG. 2

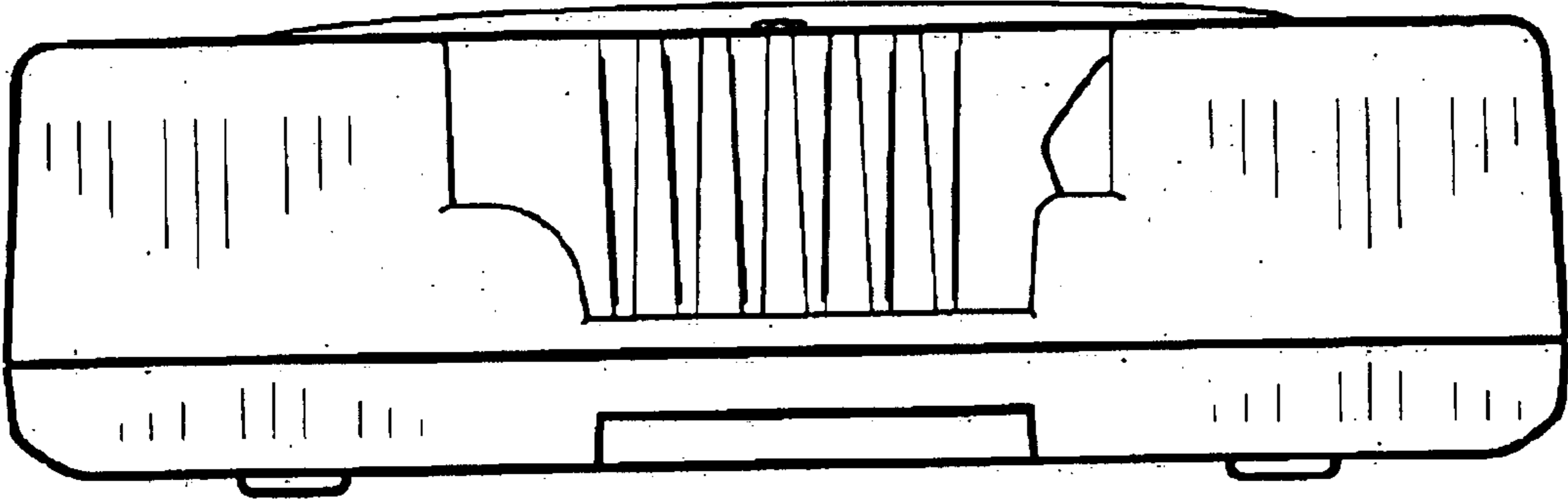


FIG. 4

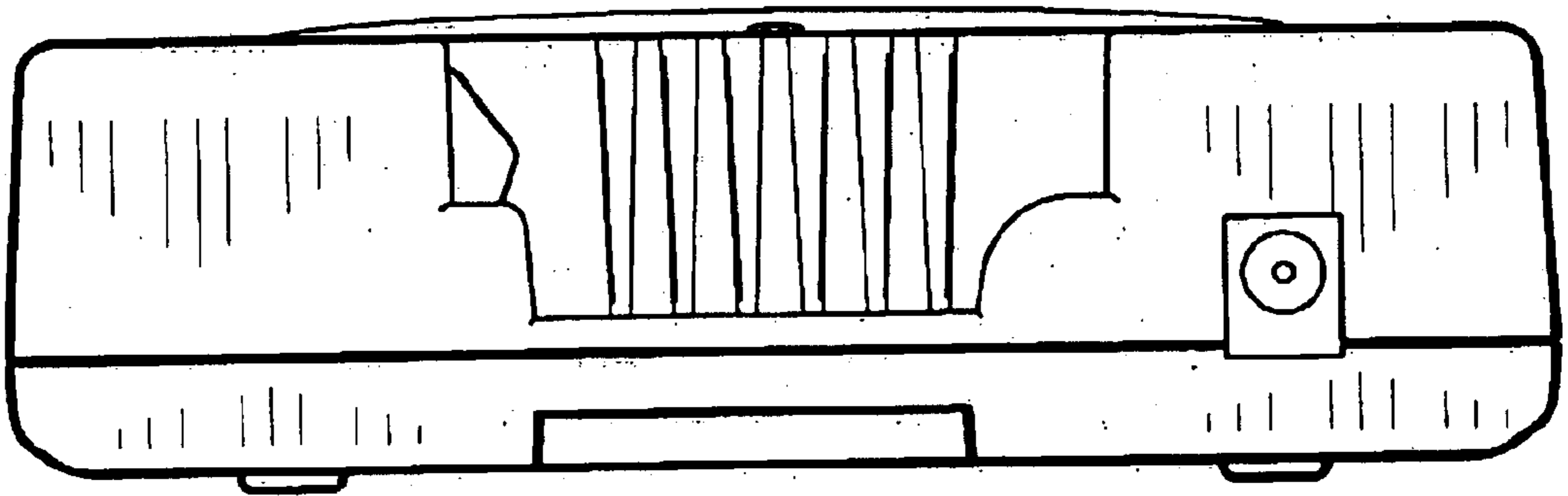


FIG. 3

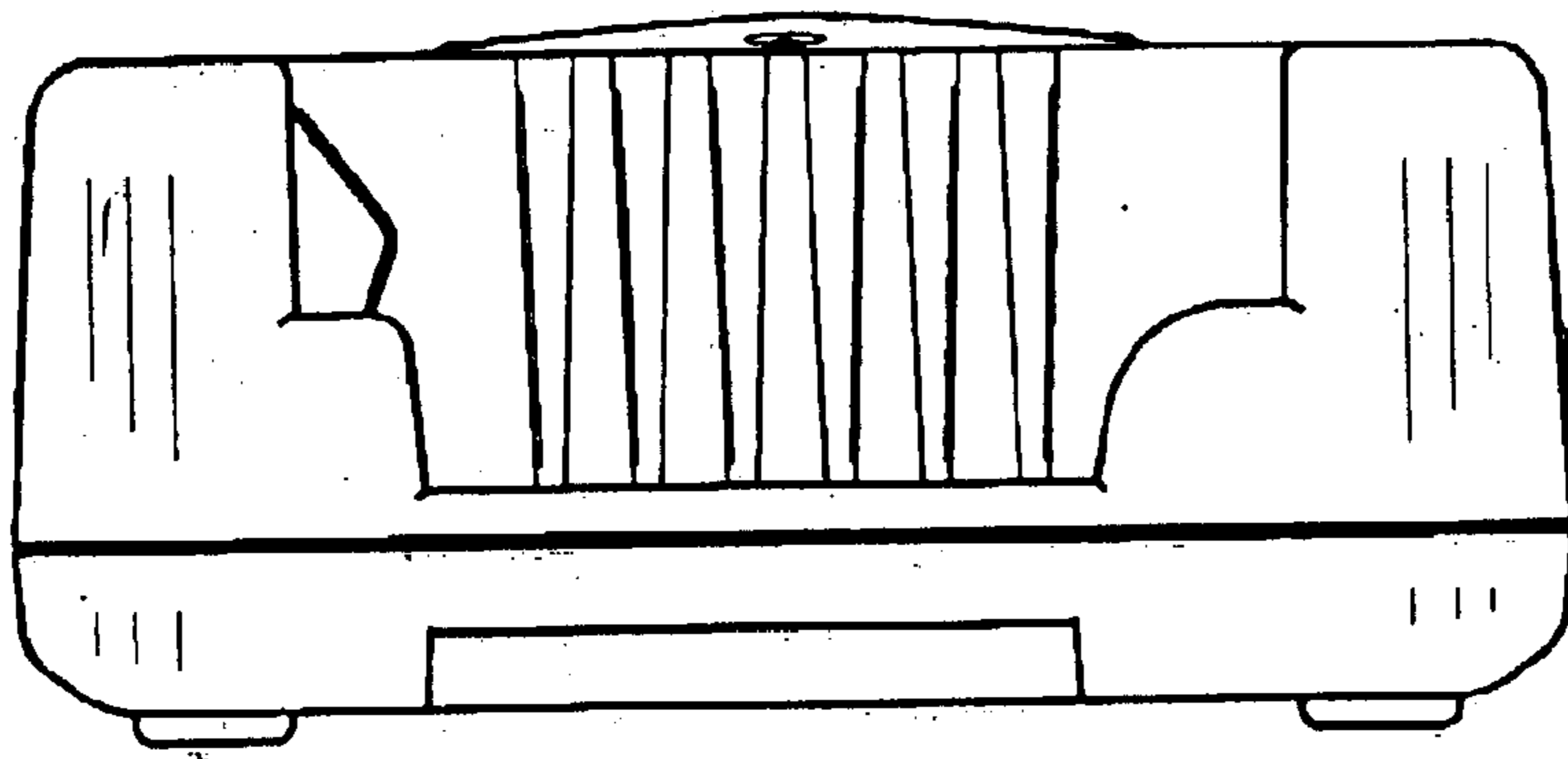


FIG. 5

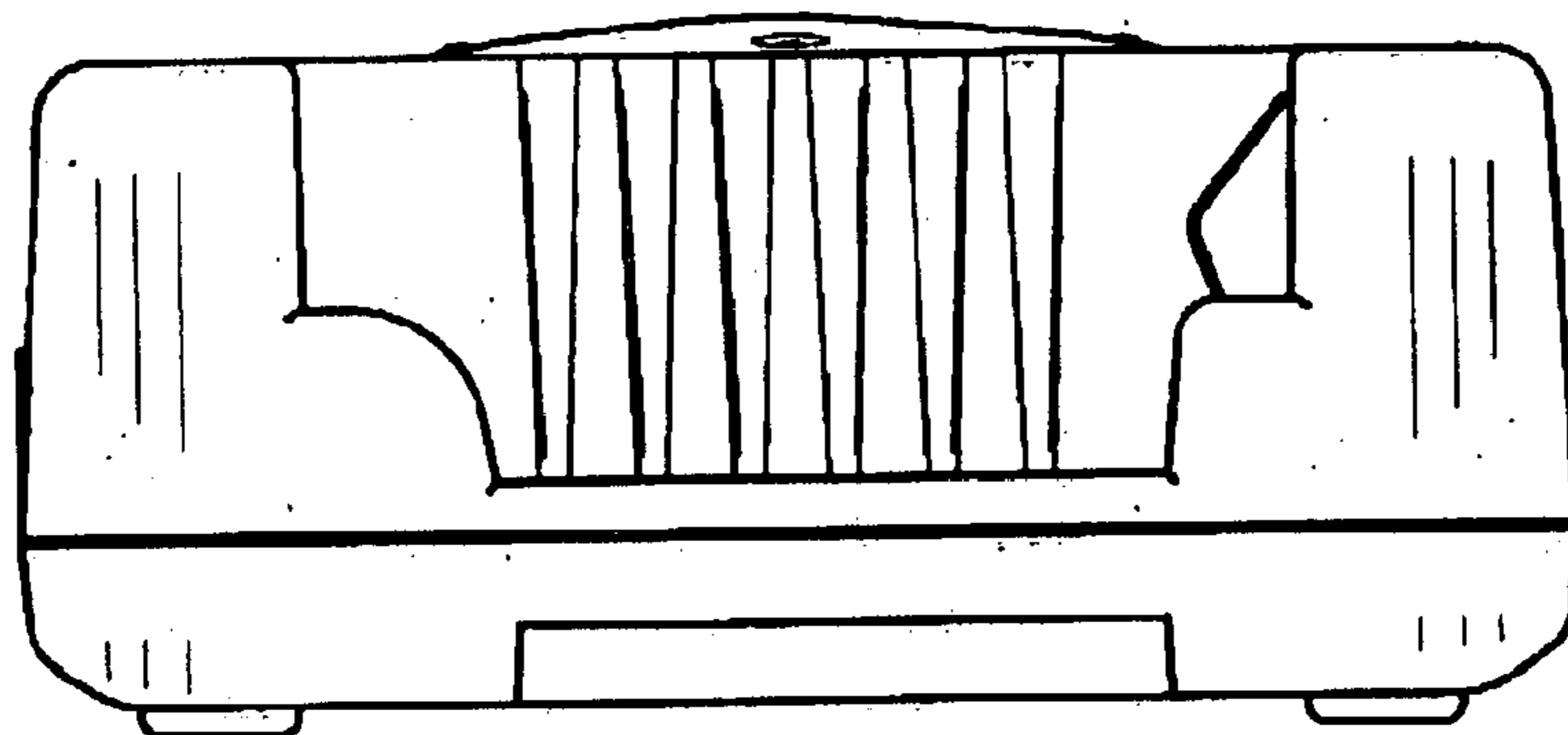


FIG. 6

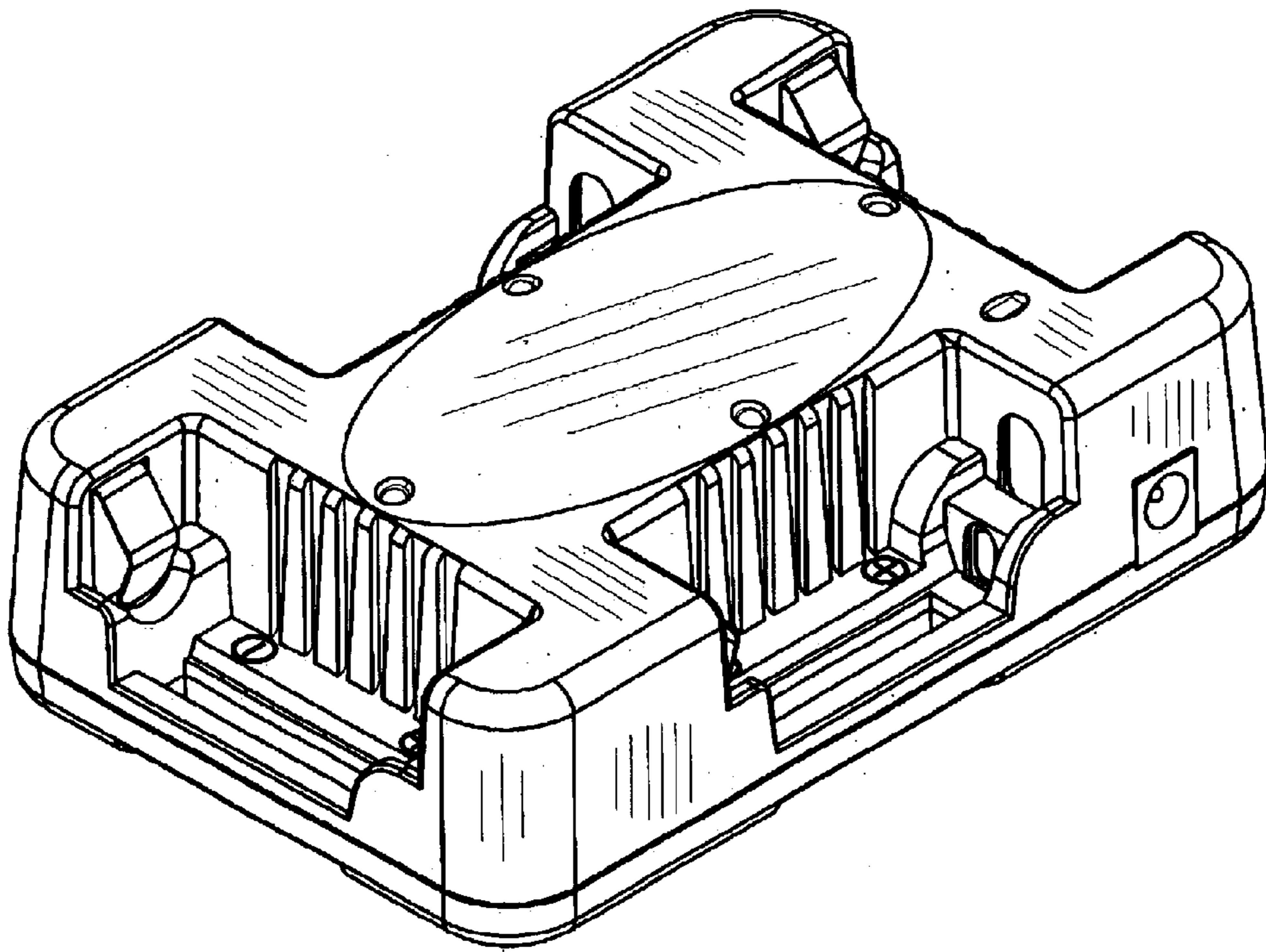


FIG. 7

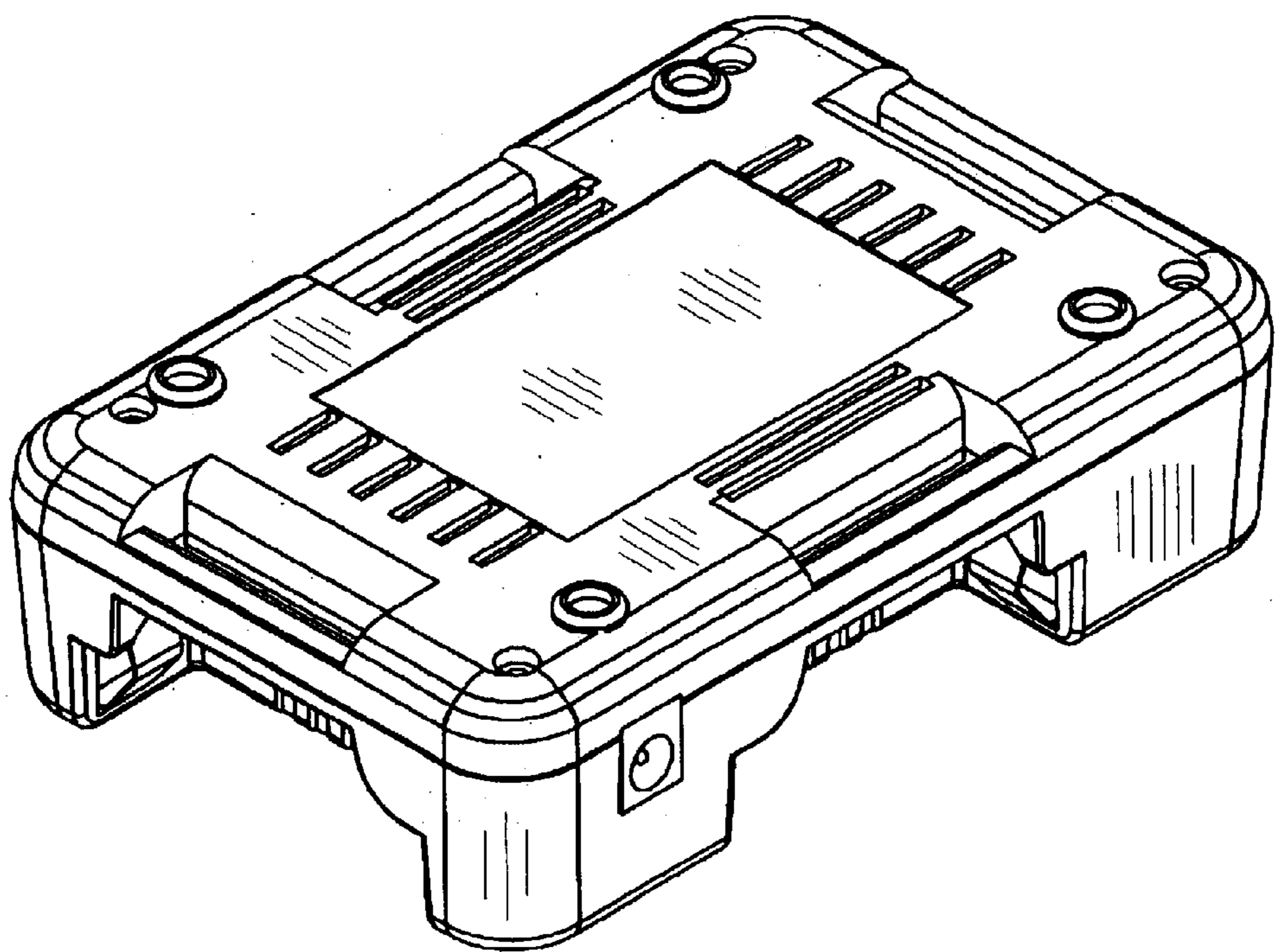


FIG. 8