



US00D490044S

(12) **United States Design Patent**  
**Smith**

(10) **Patent No.:** **US D490,044 S**

(45) **Date of Patent:** **\*\* May 18, 2004**

(54) **LARGE SEAT CONSOLE WITH  
ADJUSTABLE DRINK HOLDER**

(75) **Inventor:** **Daniel G. Smith**, Grand Prairie, TX  
(US)

(73) **Assignee:** **Texas Saddlebags, Inc.**, Arlington, TX  
(US)

(\*\*) **Term:** **14 Years**

(21) **Appl. No.:** **29/178,661**

(22) **Filed:** **Mar. 28, 2003**

(51) **LOC (7) Cl.** ..... **12-16**

(52) **U.S. Cl.** ..... **D12/419**

(58) **Field of Search** ..... D12/415, 419-425;  
224/42.11, 400, 439-543, 926-928, 536,  
548, 275; 296/37.1-37.8, 37.12, 37.16

(56) **References Cited**

**U.S. PATENT DOCUMENTS**

- D264,525 S \* 5/1982 Page, Jr. .... D12/419
- 4,458,874 A 7/1984 Rabas et al.
- D307,355 S 4/1990 Page, Jr.
- 4,943,111 A 7/1990 VanderLaan
- D317,674 S 6/1991 Smith
- D331,175 S 11/1992 Jones et al.
- D346,066 S 4/1994 Smith
- D352,495 S 11/1994 Mawhinney et al.
- D362,837 S 10/1995 Mankey et al.
- D363,698 S 10/1995 Smith
- D368,889 S 4/1996 Mankey et al.
- D374,857 S \* 10/1996 Diem ..... D12/419
- D375,480 S 11/1996 Smith
- D375,931 S \* 11/1996 Ferrigan ..... D12/419

- 5,573,214 A 11/1996 Jones et al.
- D390,186 S 2/1998 Smith
- D396,844 S 8/1998 Smith
- D408,349 S 4/1999 Smith
- D444,120 S 6/2001 Smith
- D456,760 S \* 5/2002 Hoy ..... D12/419
- D456,761 S \* 5/2002 Hoy ..... D12/419
- D460,635 S \* 7/2002 Lieberman et al. .... D6/406.3
- D461,161 S 8/2002 Hoy
- D474,733 S \* 5/2003 Webb ..... D12/419

**OTHER PUBLICATIONS**

“Spill Master Seat Console”, online brochure, <http://shop.store.yahoo.com/rodi/acssc-series.htm>, (no date).  
“Spill Master Auto Console”, online brochure, <http://shop.store.yahoo.com/rodi/acssc-series.htm>, (no date).

\* cited by examiner

*Primary Examiner*—Stacia Cadmus  
(74) *Attorney, Agent, or Firm*—Sidley Austin Brown & Wood LLP

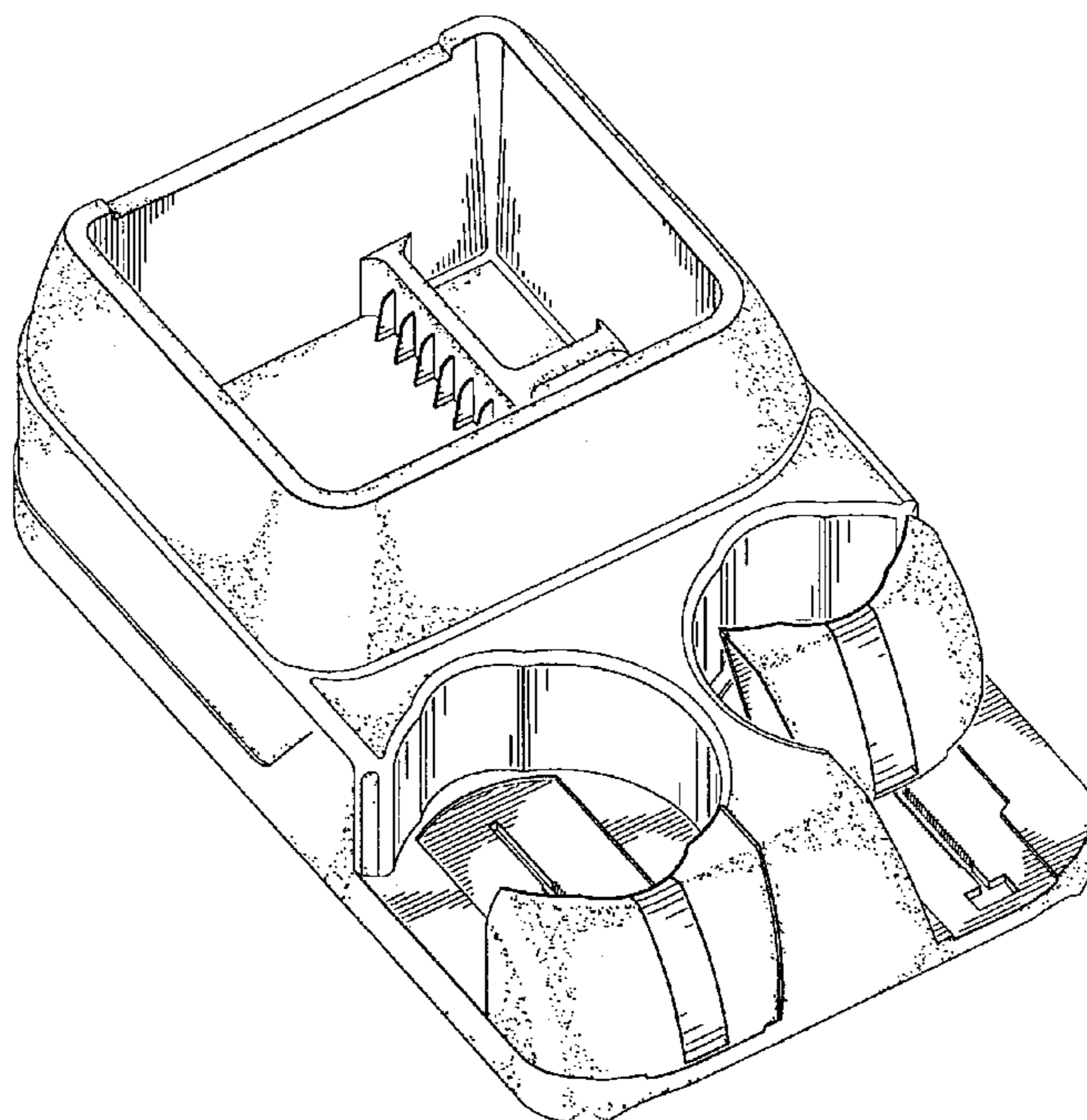
(57) **CLAIM**

The ornamental design for a large seat console with adjustable drink holder, as shown and described.

**DESCRIPTION**

FIG. 1 is a perspective view showing a large seat console with adjustable drink holder;  
FIG. 2 is a front view thereof;  
FIG. 3 is a left side view thereof;  
FIG. 4 is a right side view thereof;  
FIG. 5 is a back view thereof; and,  
FIG. 6 is a top view thereof.

**1 Claim, 3 Drawing Sheets**



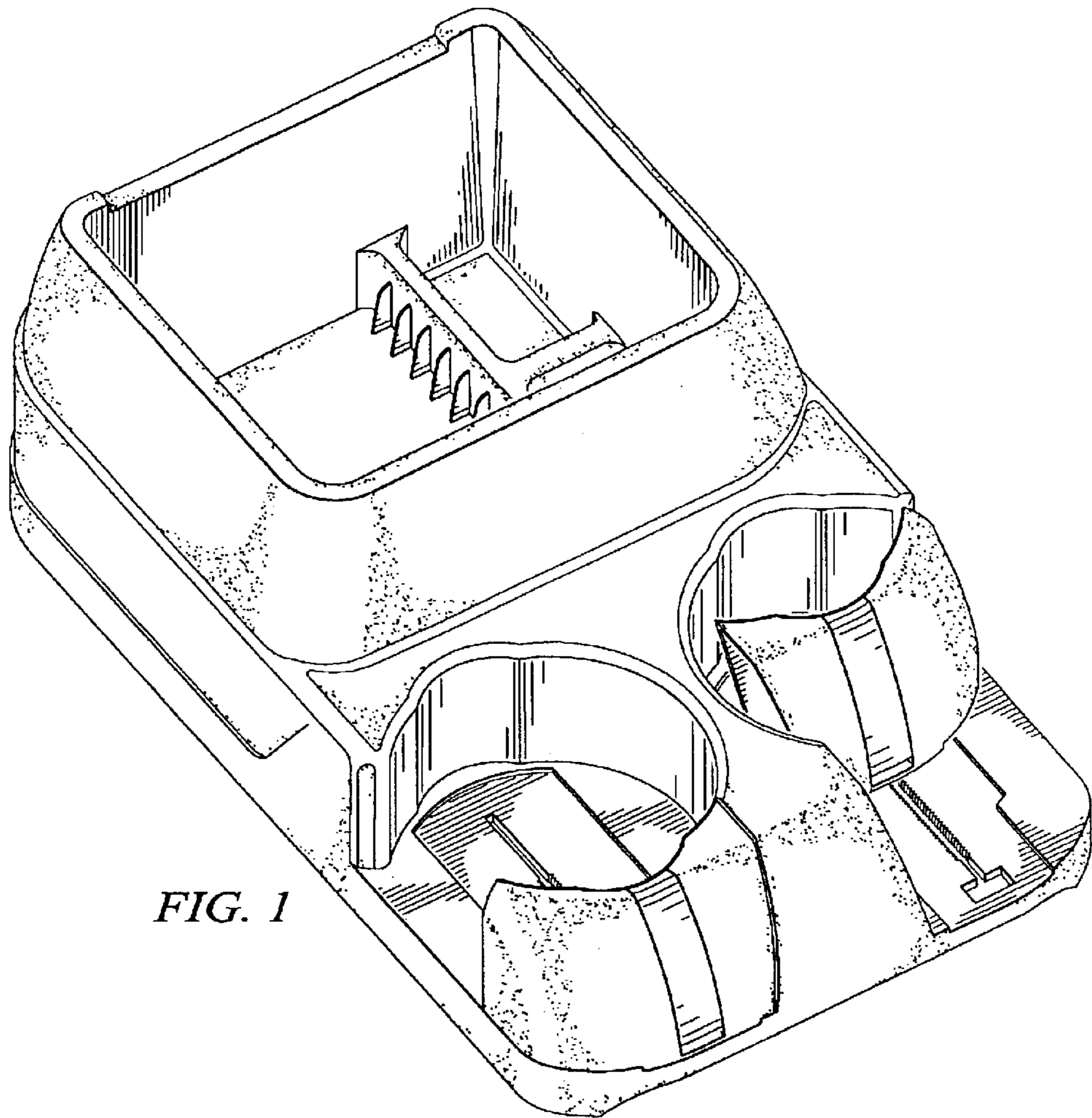


FIG. 1

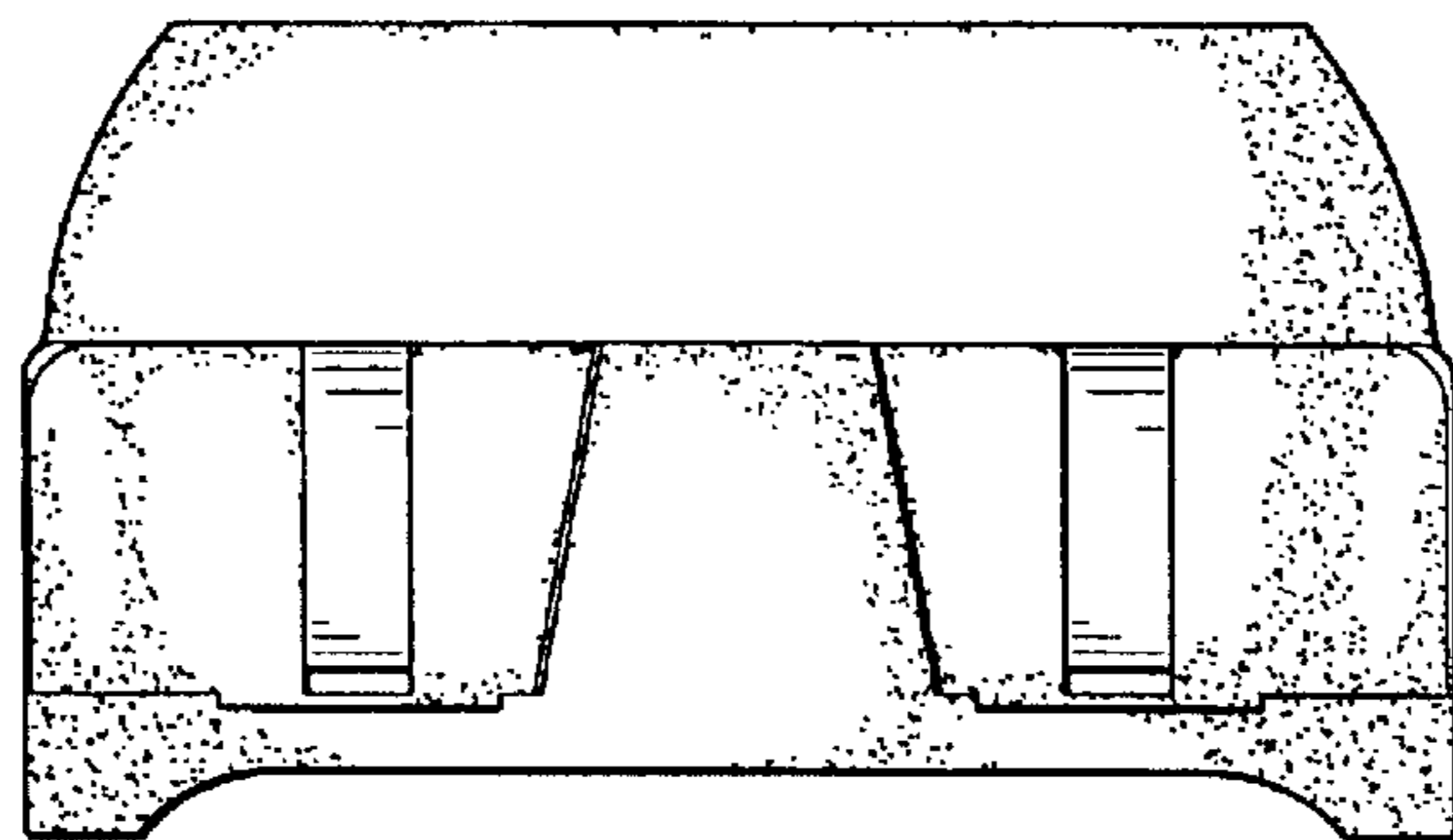


FIG. 2

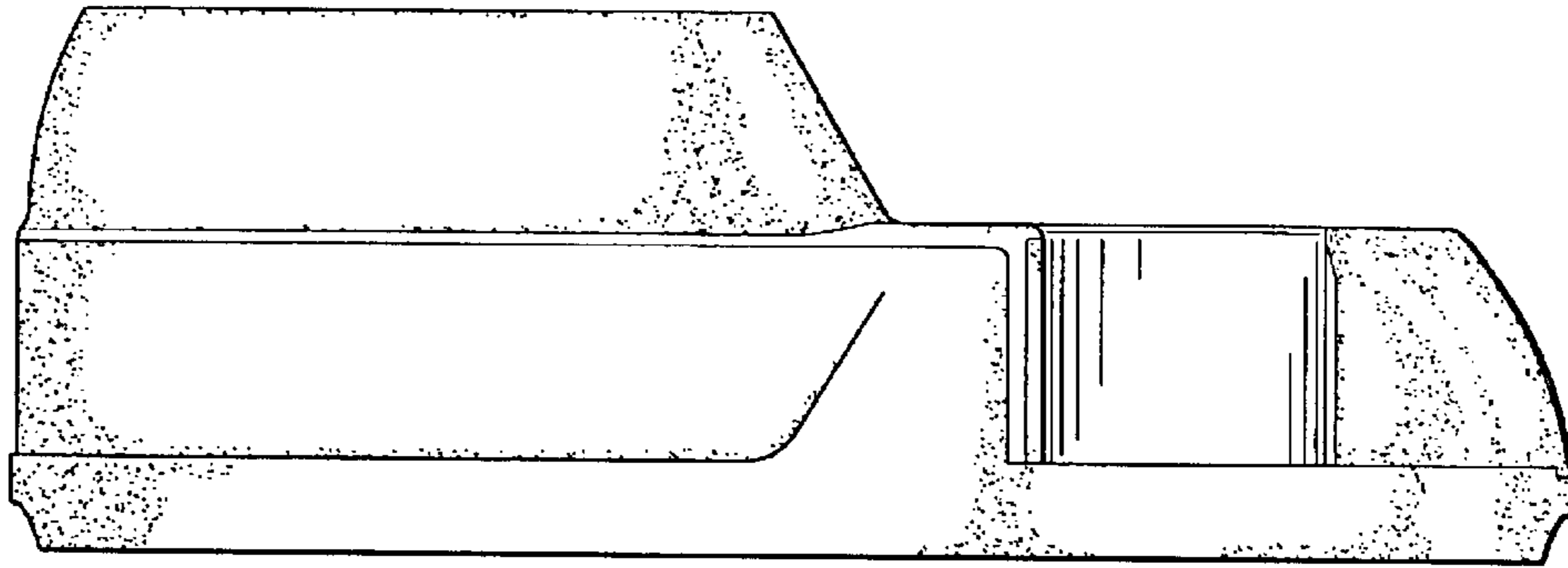


FIG. 3

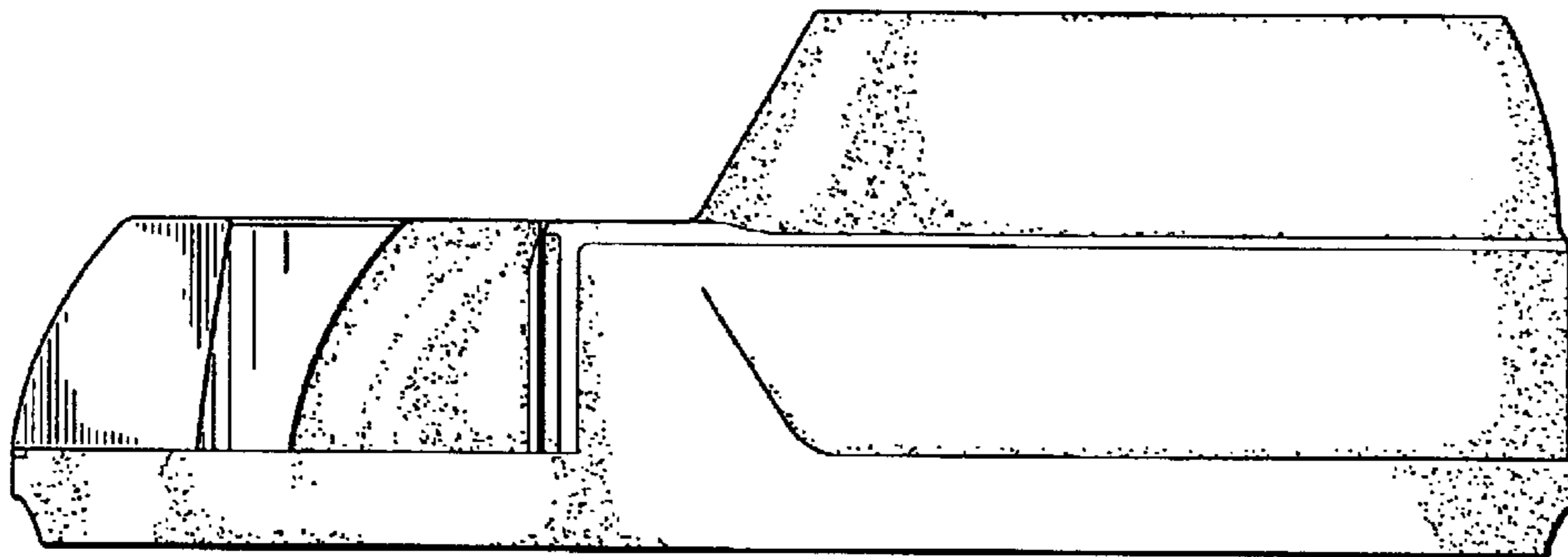


FIG. 4

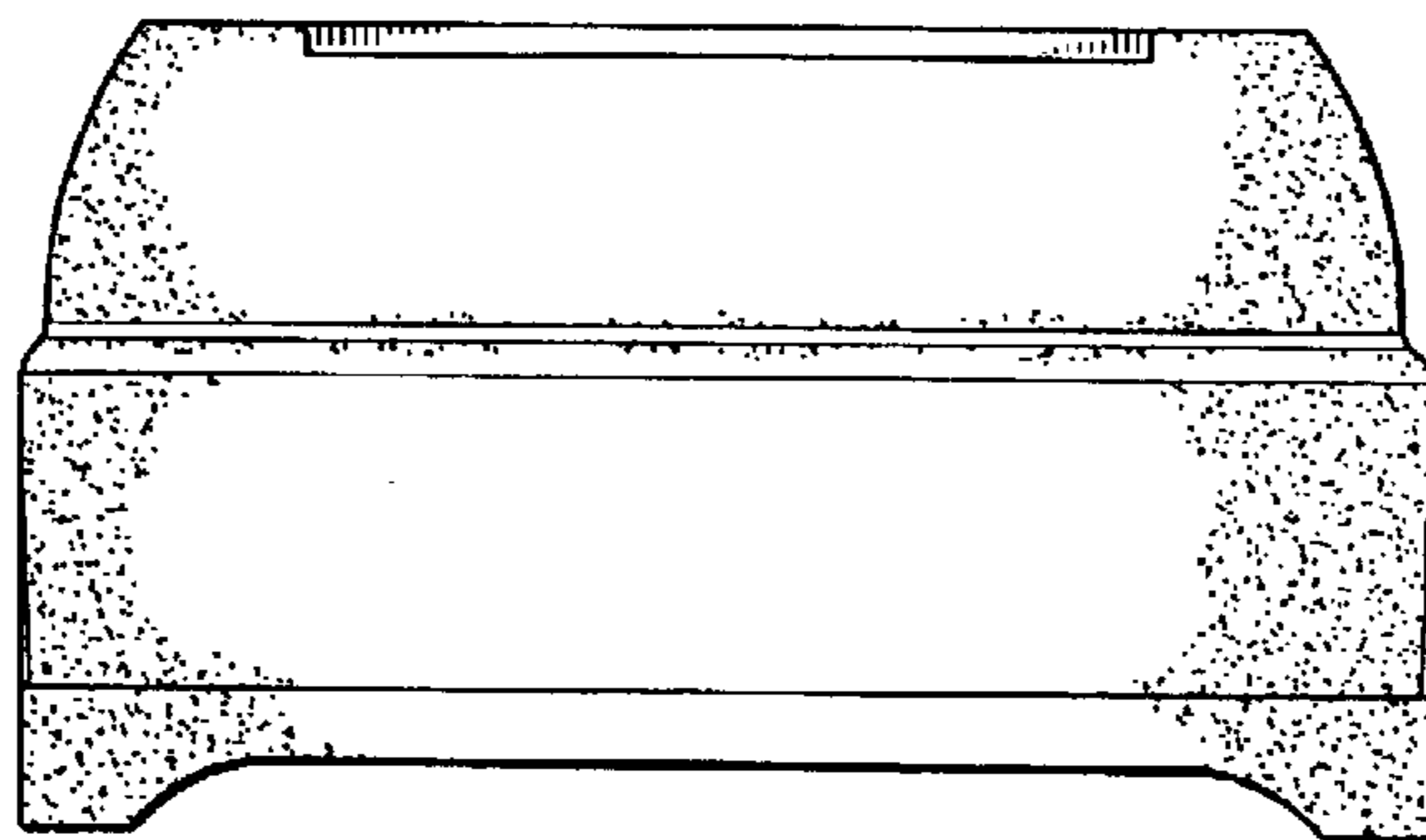


FIG. 5

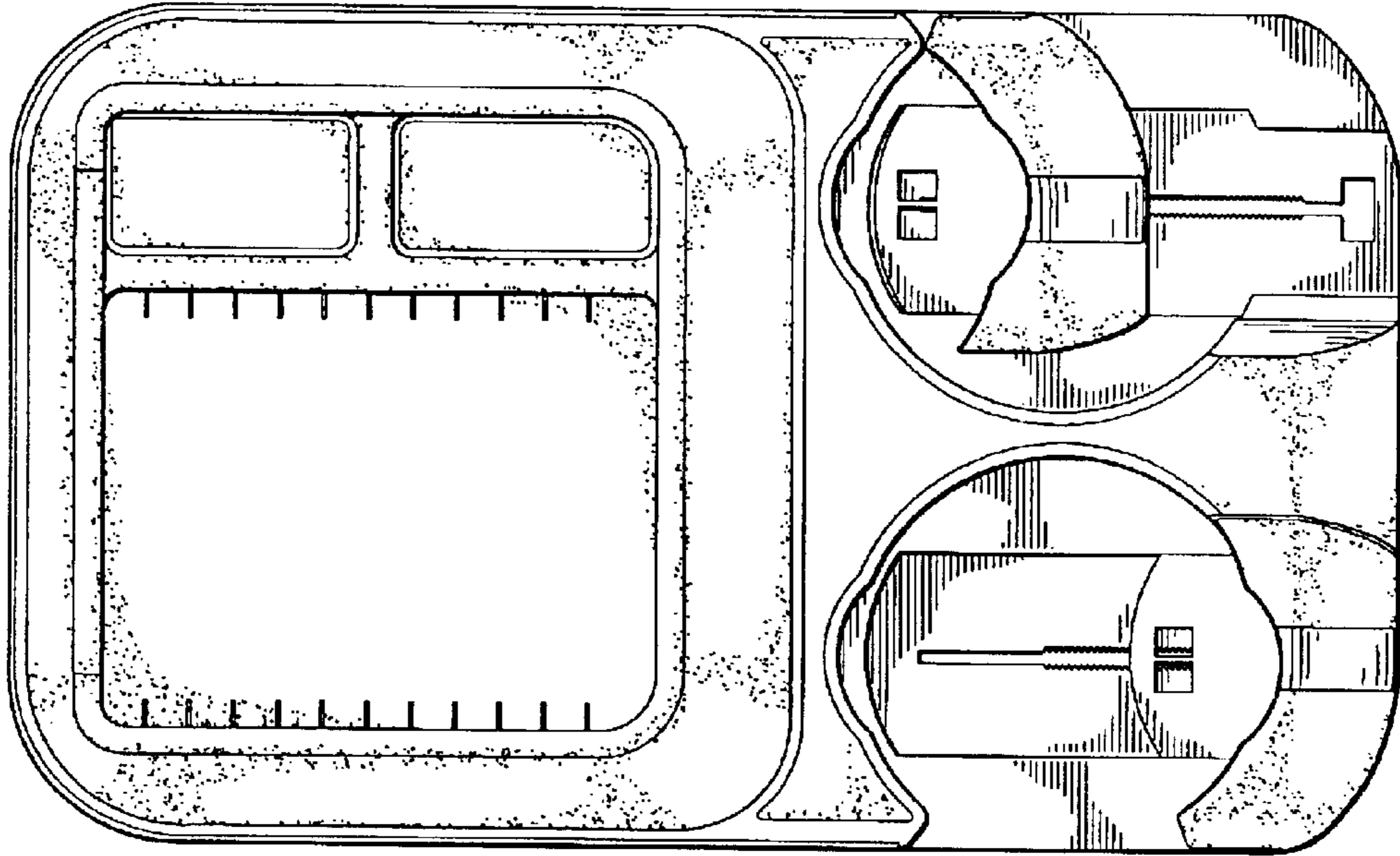


FIG. 6