



US00D490035S

(12) **United States Design Patent**  
**Wade**

(10) **Patent No.:** **US D490,035 S**

(45) **Date of Patent:** **\*\* May 18, 2004**

(54) **UNIVERSAL HITCH MIRROR**

(76) **Inventor:** **James T. Wade**, 7960 Eagle View La.,  
Granite Bay, CA (US) 95746

(\*\*) **Term:** **14 Years**

(21) **Appl. No.:** **29/182,181**

(22) **Filed:** **May 20, 2003**

(51) **LOC (7) Cl.** ..... **12-16**

(52) **U.S. Cl.** ..... **D12/188**

(58) **Field of Search** ..... **D12/187-189;**  
**359/838-855, 864-880; 248/475.1, 476**

(56) **References Cited**

**U.S. PATENT DOCUMENTS**

4,951,913 A	8/1990	Quesada
5,111,342 A	5/1992	Quesada
5,180,182 A	1/1993	Haworth
5,313,337 A	5/1994	Byers
5,478,101 A	12/1995	Roberson
5,482,310 A	1/1996	Staggs
5,550,681 A	8/1996	Mazarac
5,657,175 A	8/1997	Brewington
D386,472 S	11/1997	Eisenbraun
5,784,213 A	7/1998	Howard
D396,851 S	8/1998	Prusia
D399,809 S	10/1998	Leville
5,825,564 A	10/1998	Mazarac
5,964,443 A	10/1999	Leville
5,971,555 A	10/1999	Wilcox
6,022,116 A	2/2000	Osborn

6,062,697 A	5/2000	Bryant	
6,076,847 A	6/2000	Thornton	
6,102,423 A	8/2000	Beck	
D440,921 S	* 4/2001	Schmidt et al.	..... D12/187
6,213,608 B1	4/2001	Osgood	
6,357,126 B1	3/2002	Gillen	
D474,432 S	* 5/2003	Good	..... D12/188

\* cited by examiner

*Primary Examiner*—Melody N. Brown

(74) *Attorney, Agent, or Firm*—Heisler & Associates

(57) **CLAIM**

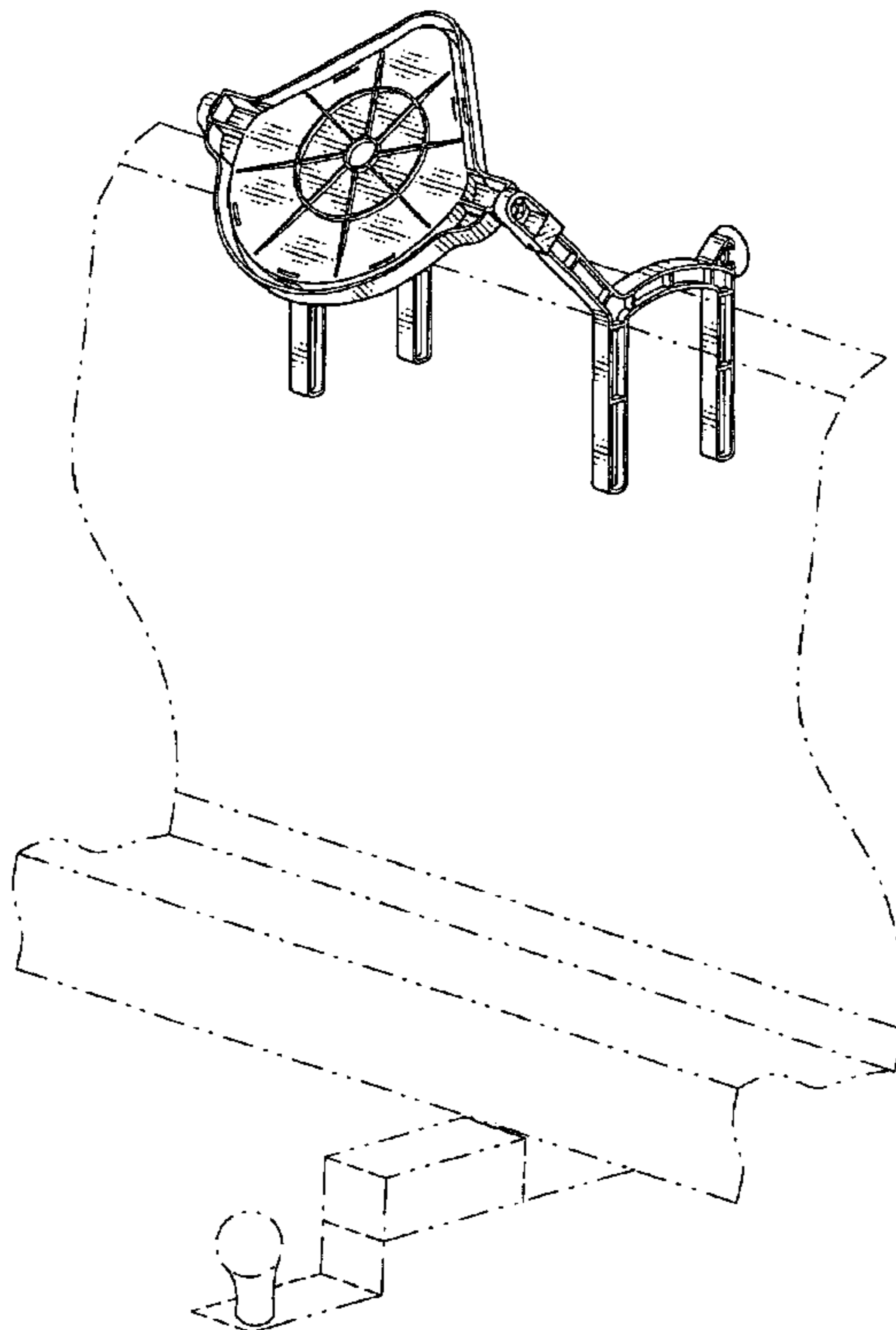
The ornamental design for a universal hitch mirror, as shown and described.

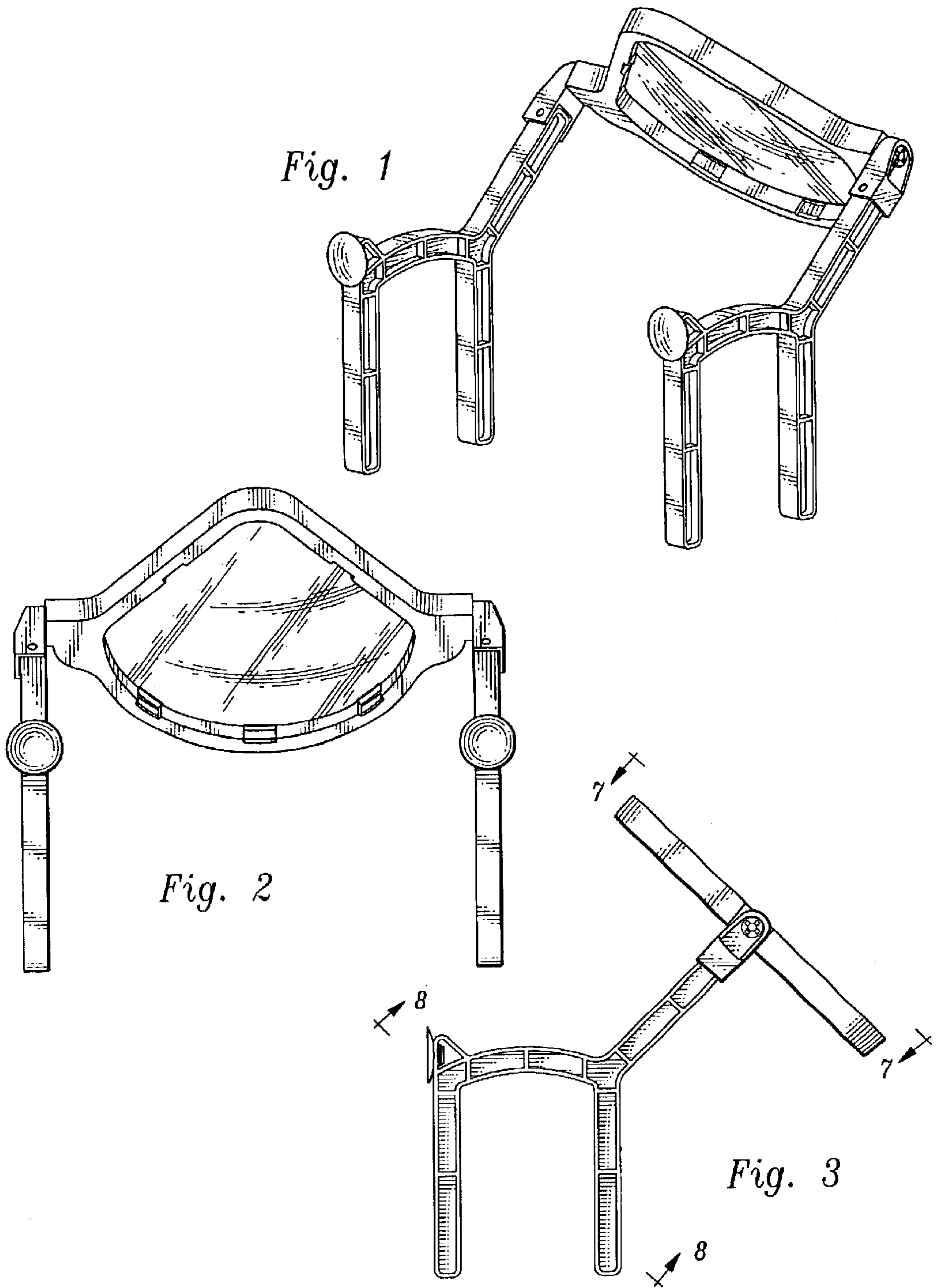
**DESCRIPTION**

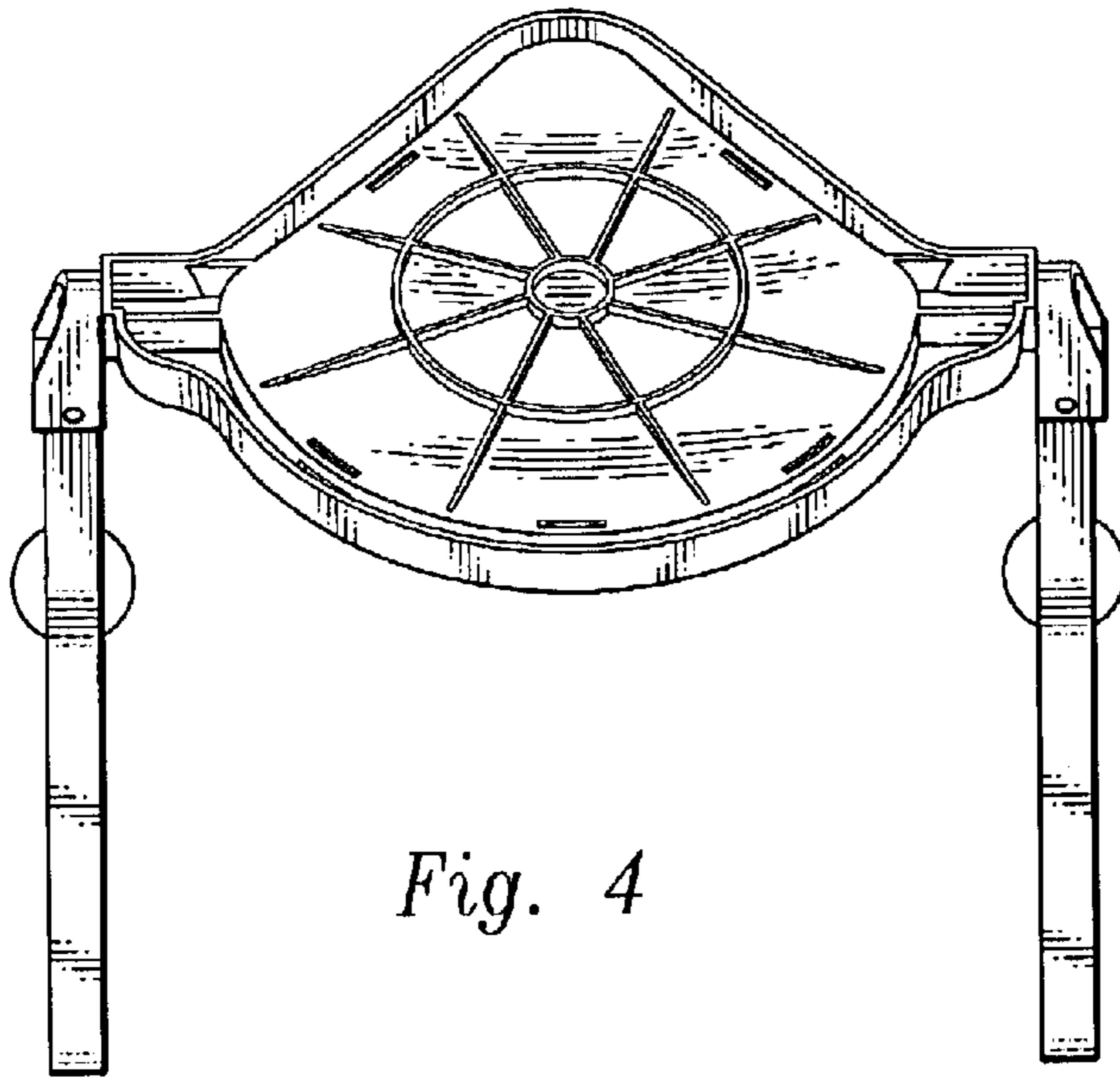
FIG. 1 is a perspective view of the universal hitch mirror; FIG. 2 is a rear elevation view of the invention; FIG. 3 is a right side view of the invention, the right side view being a mirror image; FIG. 4 is a front elevation view of the invention; FIG. 5 is a bottom plan view of the invention; FIG. 6 is a top plan view of the invention; FIG. 7 is an auxiliary view taken along 7—7 in FIG. 3; FIG. 8 is an auxiliary view taken along 8—8 in FIG. 3; and, FIG. 9 is a perspective view of the invention in use on the tailgate of a vehicle.

The broken lines in FIG. 9 are for purposes of illustration only and form no part of the claimed design.

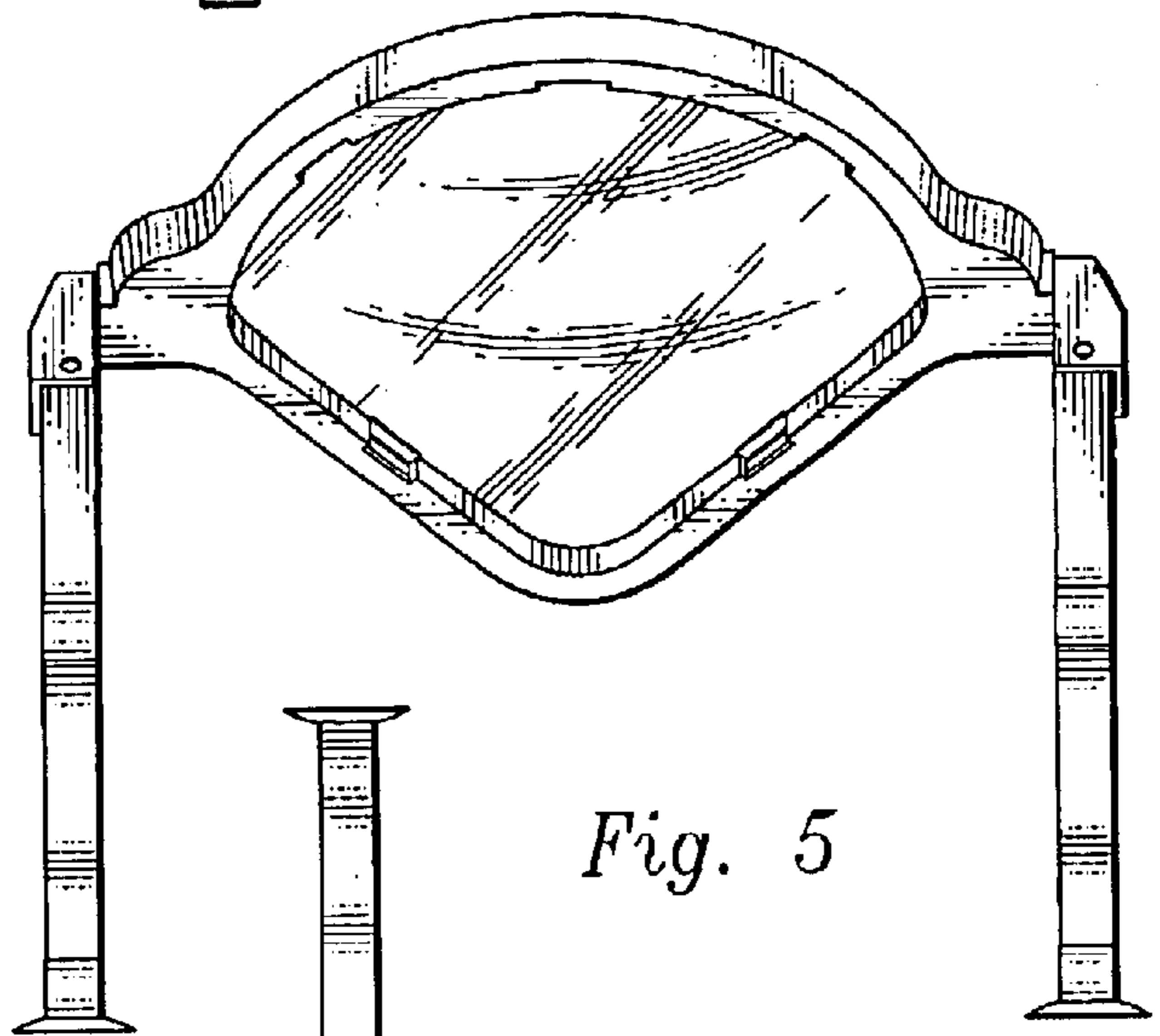
**1 Claim, 3 Drawing Sheets**



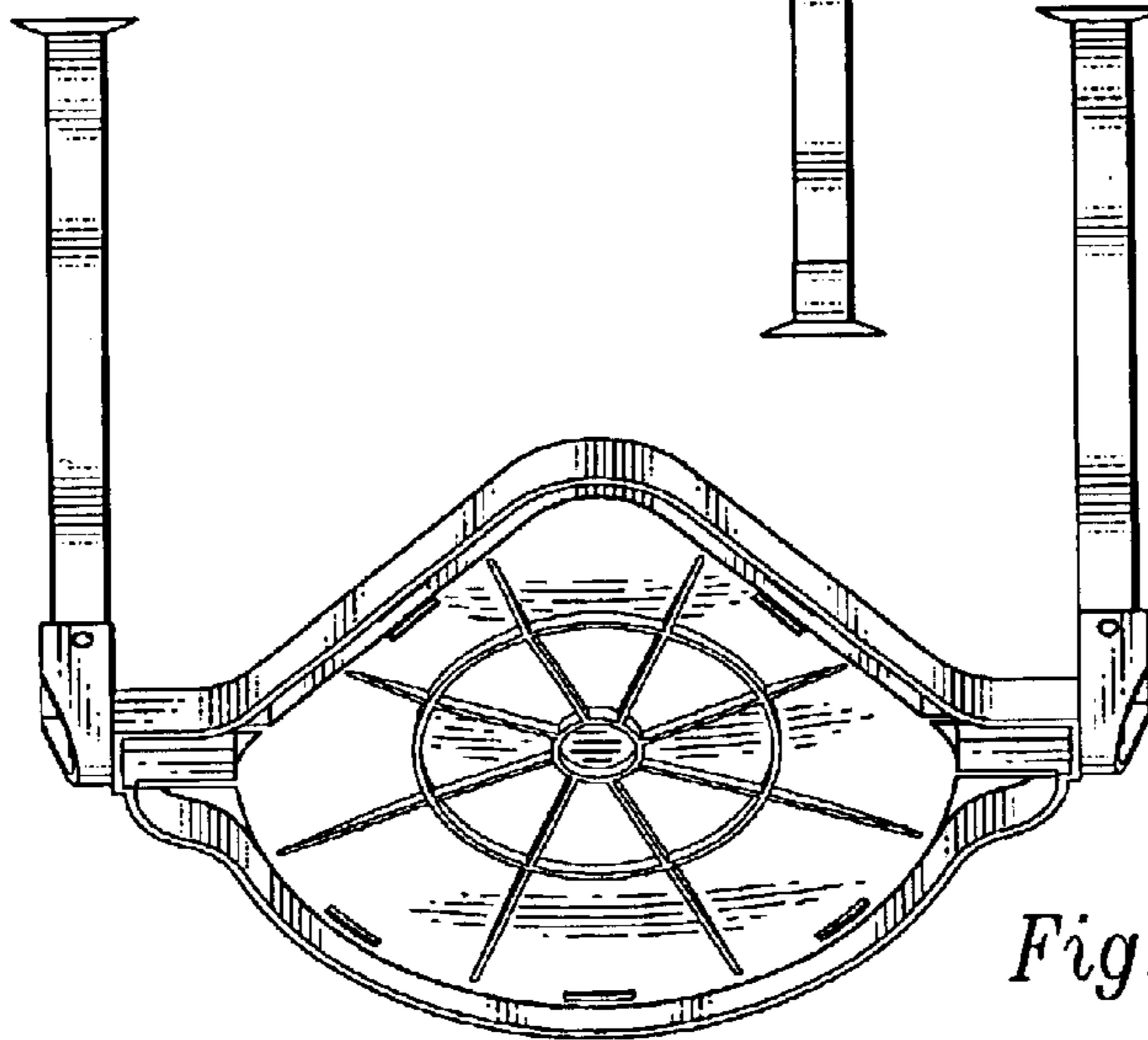




*Fig. 4*



*Fig. 5*



*Fig. 6*

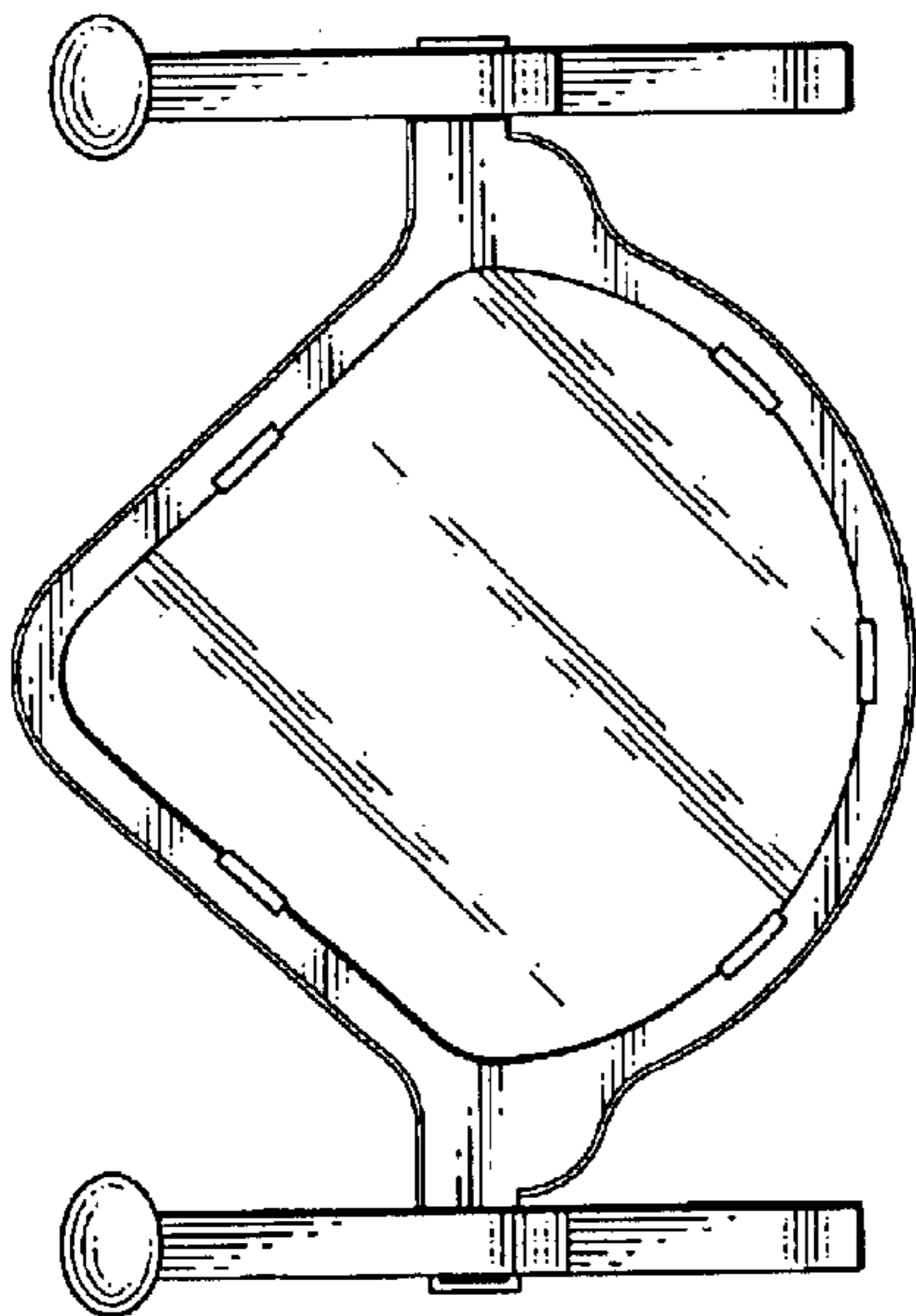
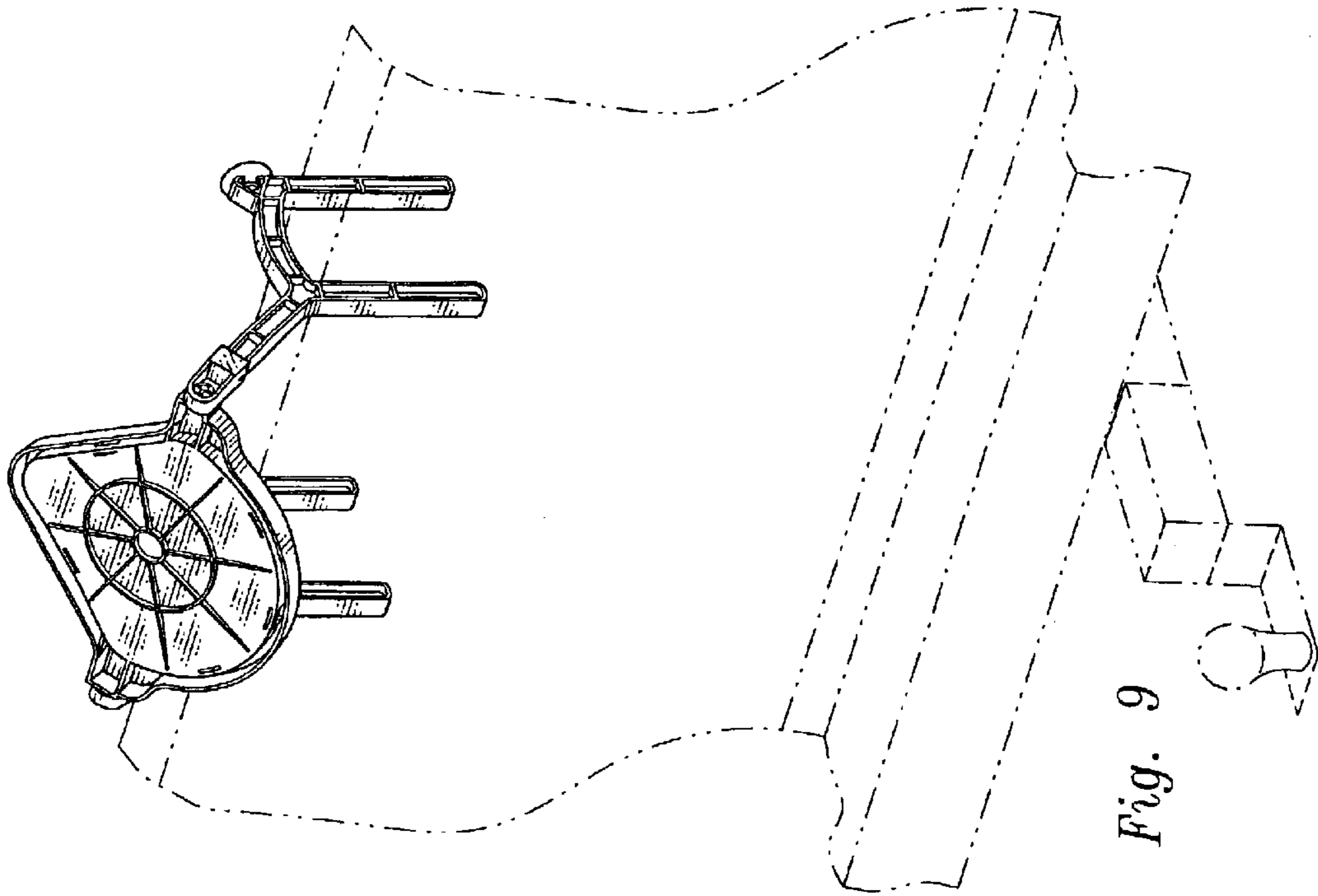


Fig. 7

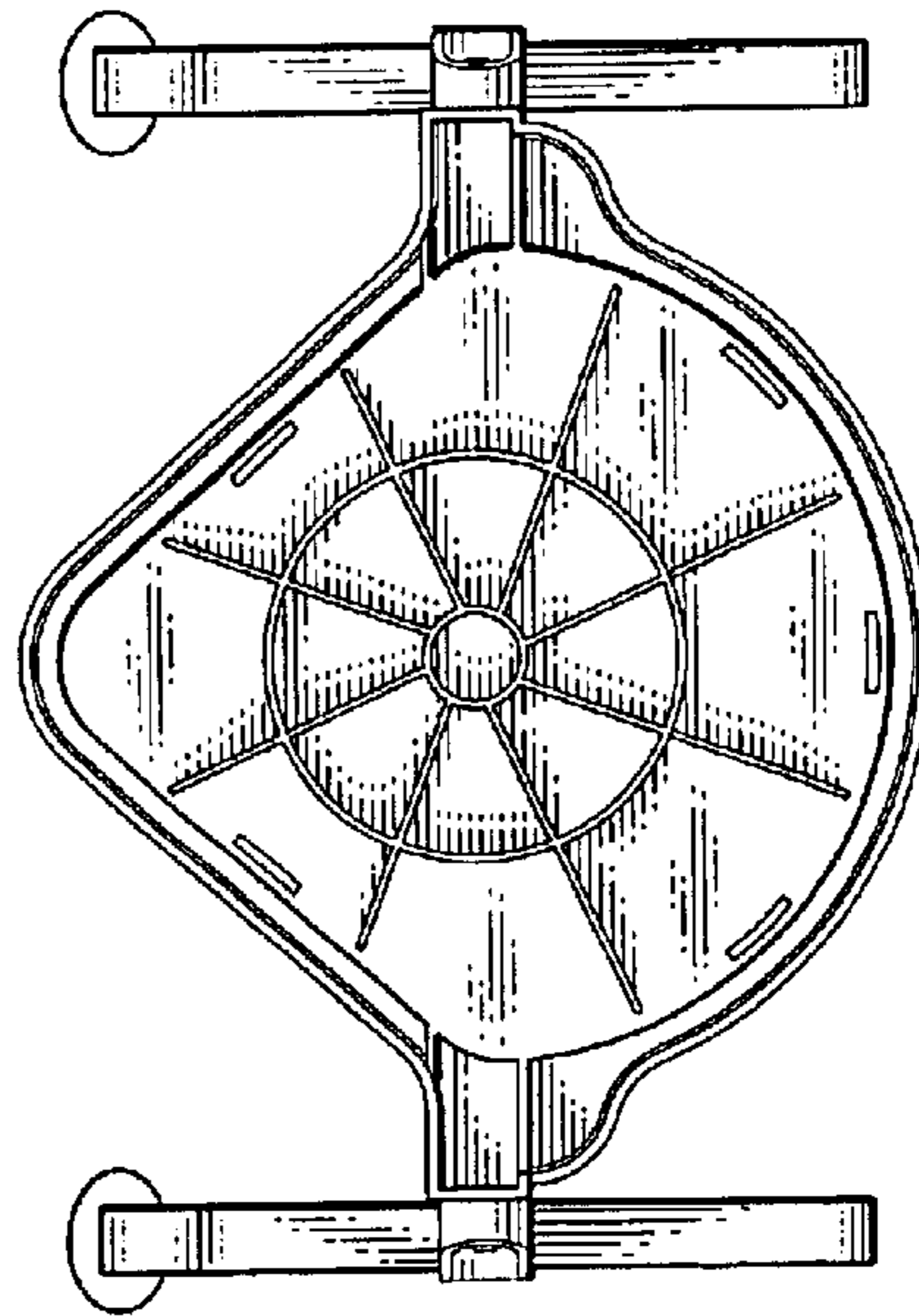


Fig. 8