



US00D490034S

(12) **United States Design Patent**  
**MacDonald et al.**

(10) **Patent No.:** **US D490,034 S**

(45) **Date of Patent:** **\*\* May 18, 2004**

(54) **MASTER BRAKE CYLINDER ASSEMBLY**

4,800,725 A \* 1/1989 Kaulig et al. .... 60/584

(75) Inventors: **Steven W. MacDonald**, Laguna Niguel, CA (US); **Keith M. Williams**, Buena Park, CA (US)

\* cited by examiner

*Primary Examiner*—Lisa Lichtenstein  
(74) *Attorney, Agent, or Firm*—Hogan & Hartson, LLP

(73) Assignee: **The Deutsch Company**, Gardena, CA (US)

(57) **CLAIM**

(\*\*) Term: **14 Years**

The ornamental design for the master brake cylinder assembly, as shown and described.

(21) Appl. No.: **29/177,113**

**DESCRIPTION**

(22) Filed: **Mar. 3, 2003**

(51) **LOC (7) Cl.** ..... **12-16**

(52) **U.S. Cl.** ..... **D12/180**

(58) **Field of Search** ..... D12/180; 60/584, 60/581, 533; 92/79; 188/352

FIG. 1 is a perspective view of the master brake cylinder assembly of the present invention.

FIG. 2 is a top view of the master brake cylinder assembly of the present invention.

FIG. 3 is a side view of the master brake cylinder assembly of the present invention; and,

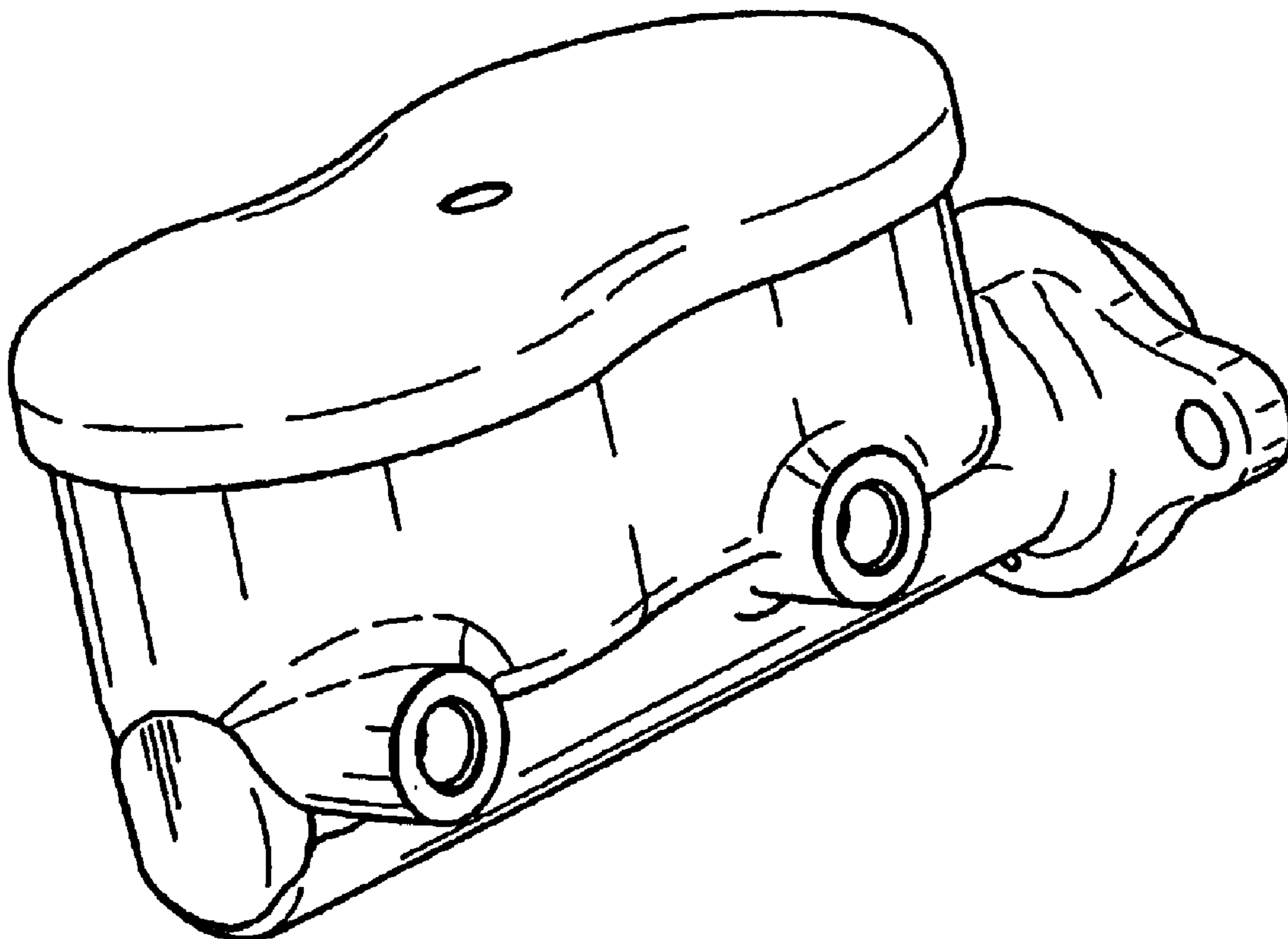
FIG. 4 is an end view of the master brake cylinder assembly of the present invention.

(56) **References Cited**

**U.S. PATENT DOCUMENTS**

3,142,965 A \* 8/1964 Hazelbaker ..... 60/581

**1 Claim, 1 Drawing Sheet**



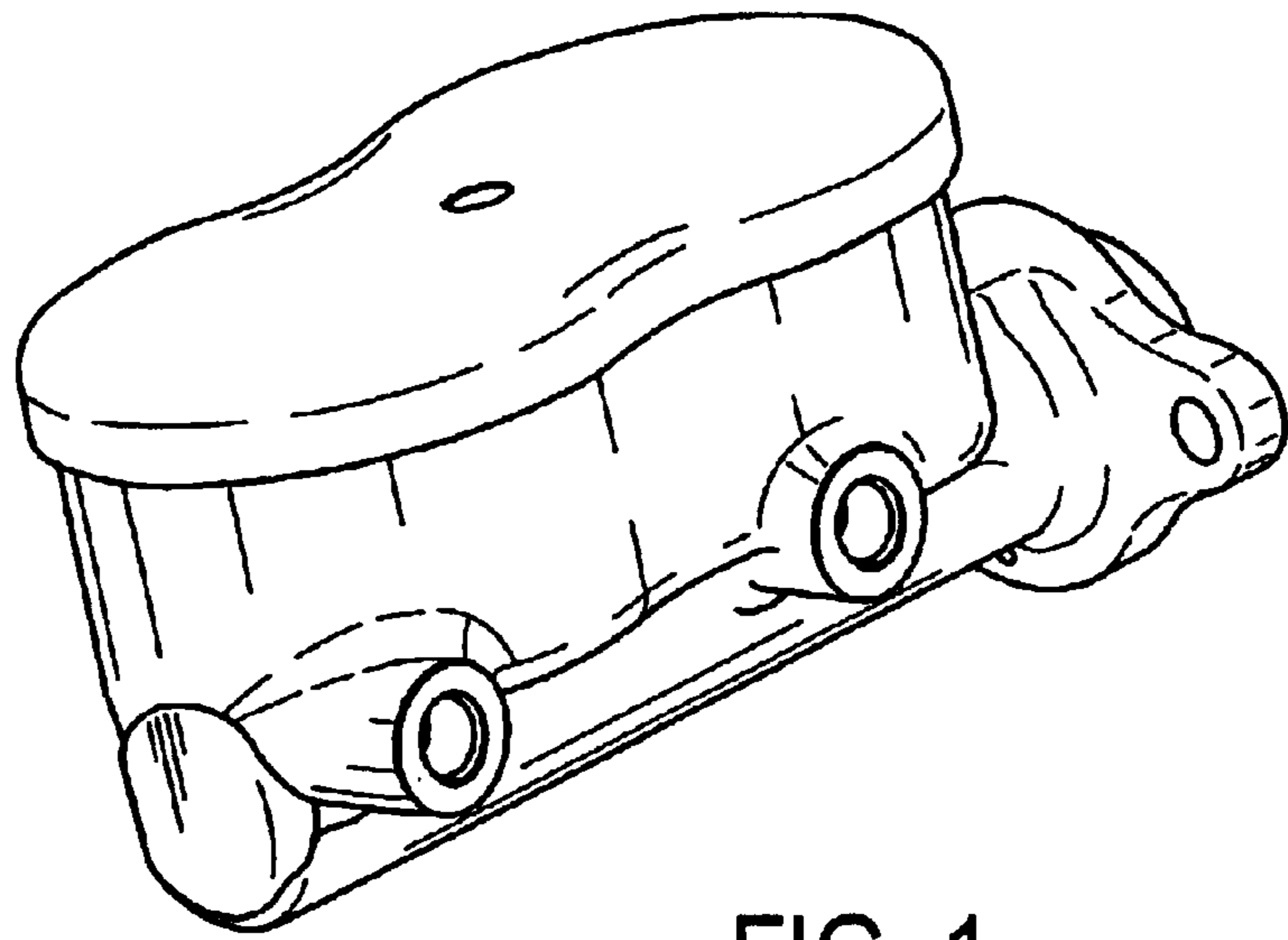


FIG. 1

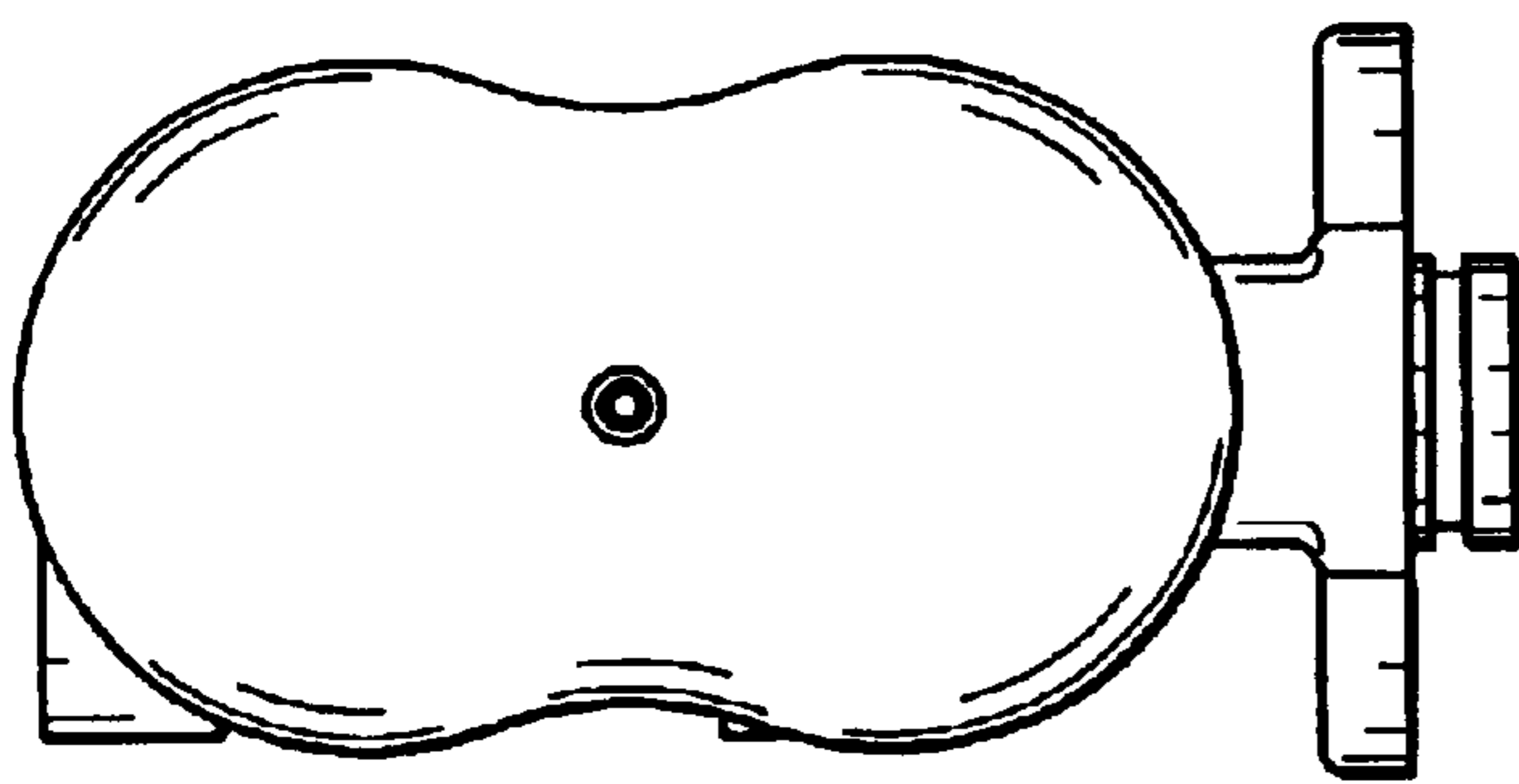


FIG. 2

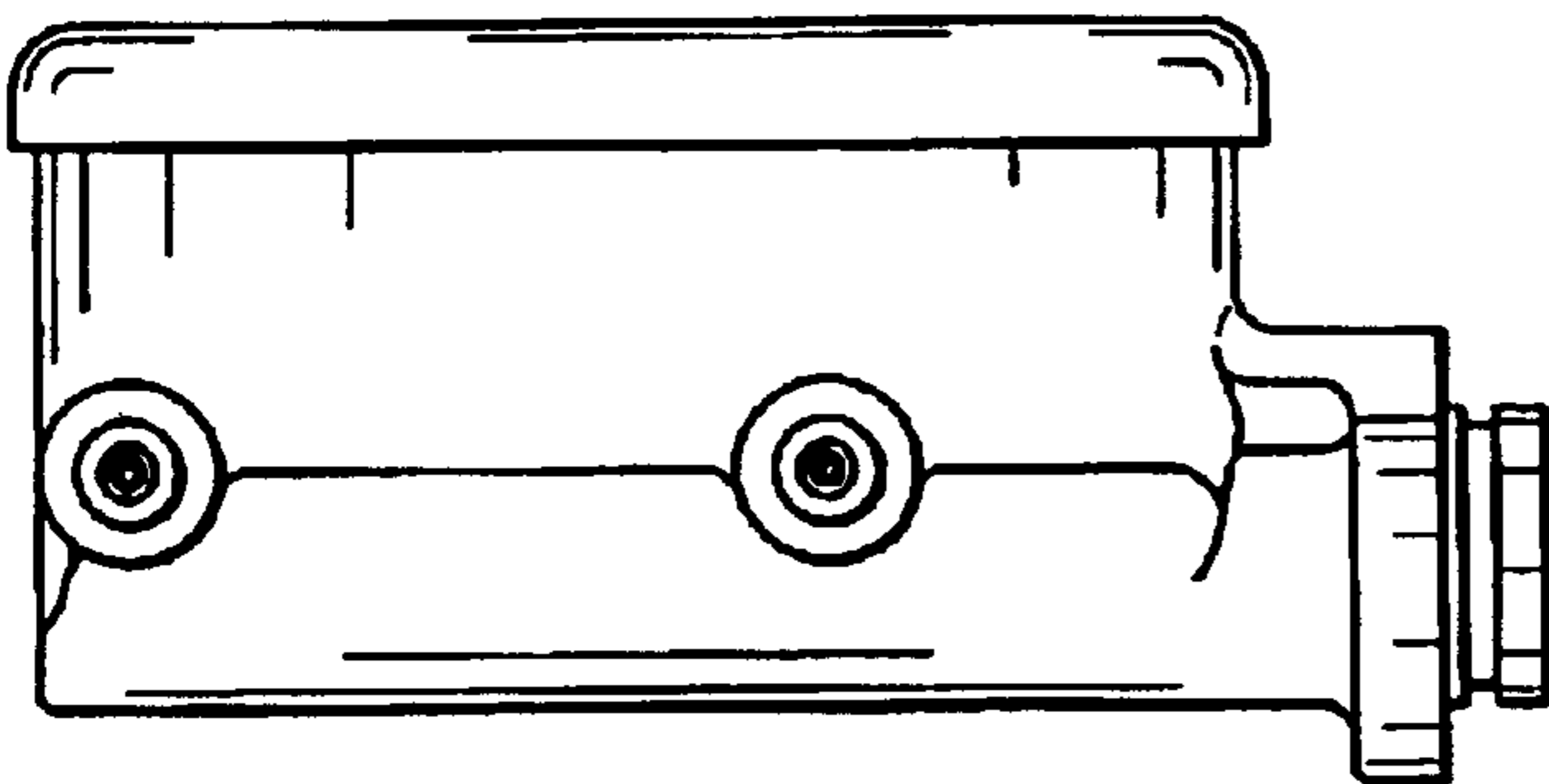


FIG. 3

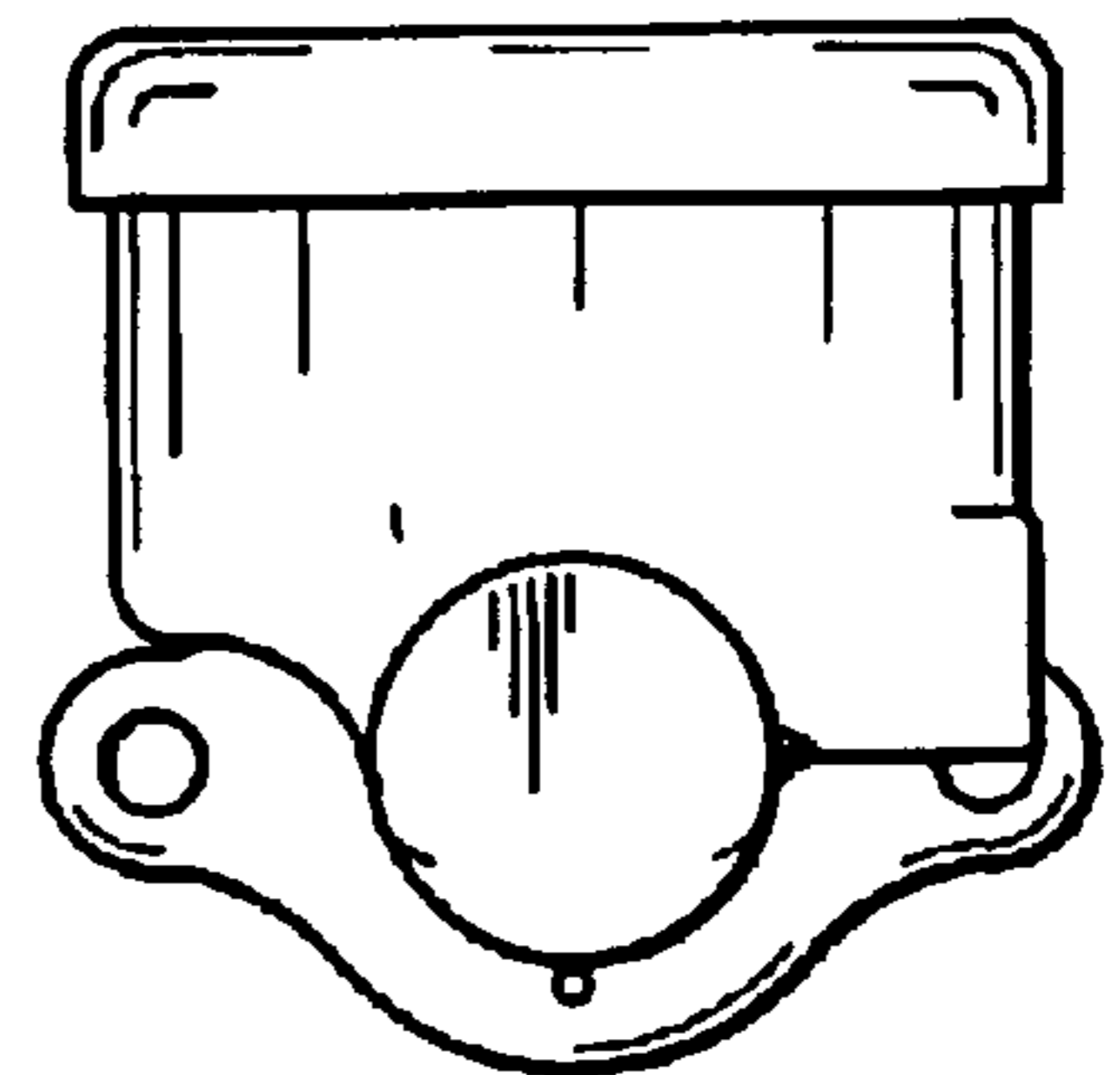


FIG. 4