



US00D490031S

(12) **United States Design Patent**
Sanchez

(10) **Patent No.:** **US D490,031 S**

(45) **Date of Patent:** **** May 18, 2004**

(54) **FIFTH-WHEEL HITCH-RELEASE LEVER AND HOOK**

5,423,567 A * 6/1995 Upton 280/433
D377,924 S * 2/1997 Christensen D12/161
5,803,518 A * 9/1998 Gibbons 294/18

(75) Inventor: **Steve G. Sanchez**, Hollister, CA (US)

* cited by examiner

(73) Assignee: **Central Coast Patent Agency, Inc.**,
Aromas, CA (US)

Primary Examiner—Stacia Cadmus
(74) *Attorney, Agent, or Firm*—Donald R. Boys; Central
Coast Patent Agency, Inc.

(**) Term: **14 Years**

(57) **CLAIM**

(21) Appl. No.: **29/185,996**

The ornamental design of the fifth-wheel hitch-release lever and hook, as shown and described above.

(22) Filed: **Jul. 7, 2003**

(51) **LOC (7) Cl.** **12-16**

(52) **U.S. Cl.** **D12/161**

(58) **Field of Search** D12/161, 179;
280/433, 407, 438.1; D8/88, 330, 331,
343; 294/26, 17-18; 254/131, 129, 113-123

DESCRIPTION

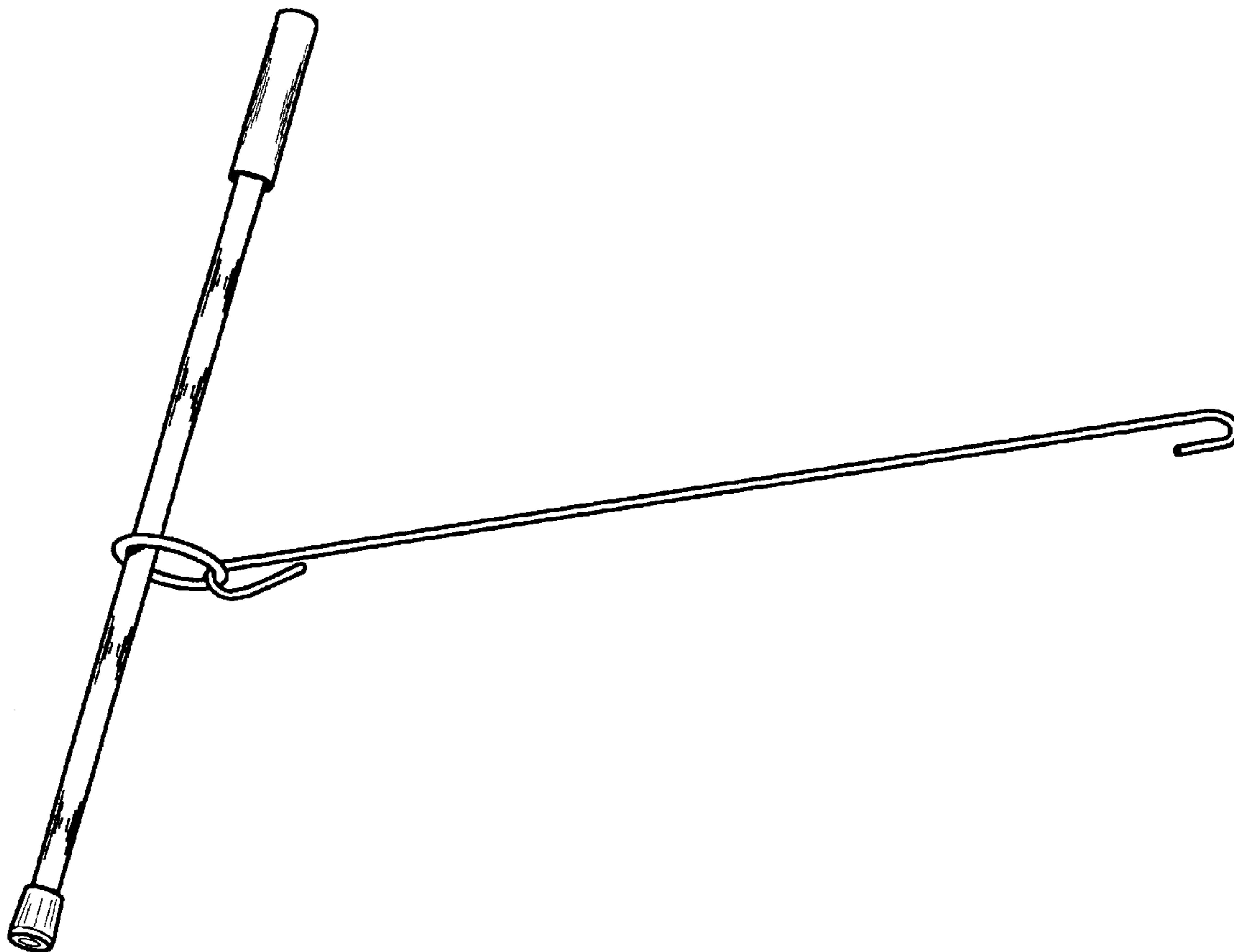
FIG. 1 is a perspective view of the fifth-wheel hitch-release lever and hook of the new design; and, FIG. 2 is an elevation view of the fifth-wheel hitch-release lever and hook of FIG. 1. Detail of the opposite side of the fifth-wheel hitch-release lever and hook of FIG. 2 is identical to the elevation view of FIG. 2.

(56) **References Cited**

U.S. PATENT DOCUMENTS

D307,734 S * 5/1990 Ethridge D12/161

1 Claim, 2 Drawing Sheets



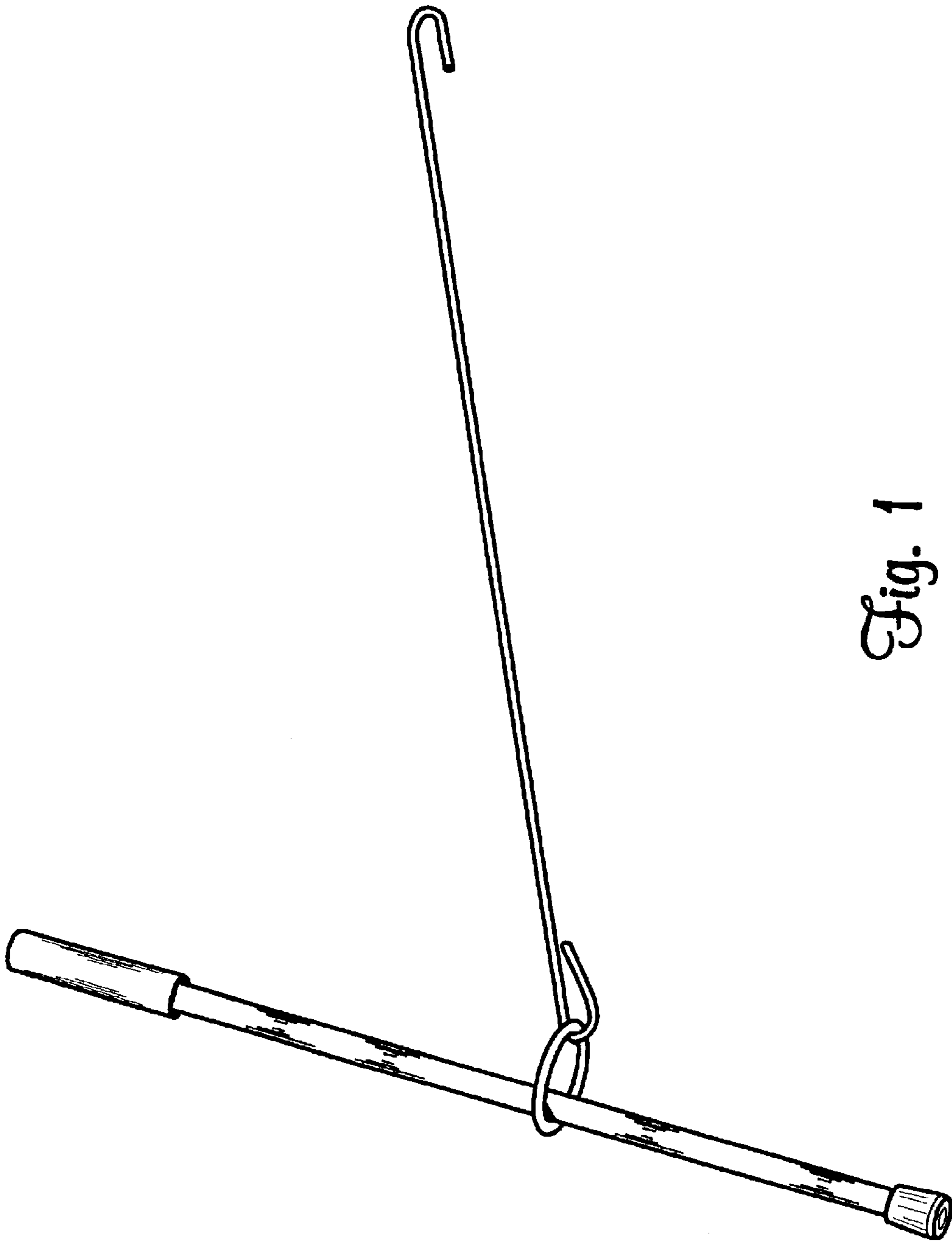


Fig. 1

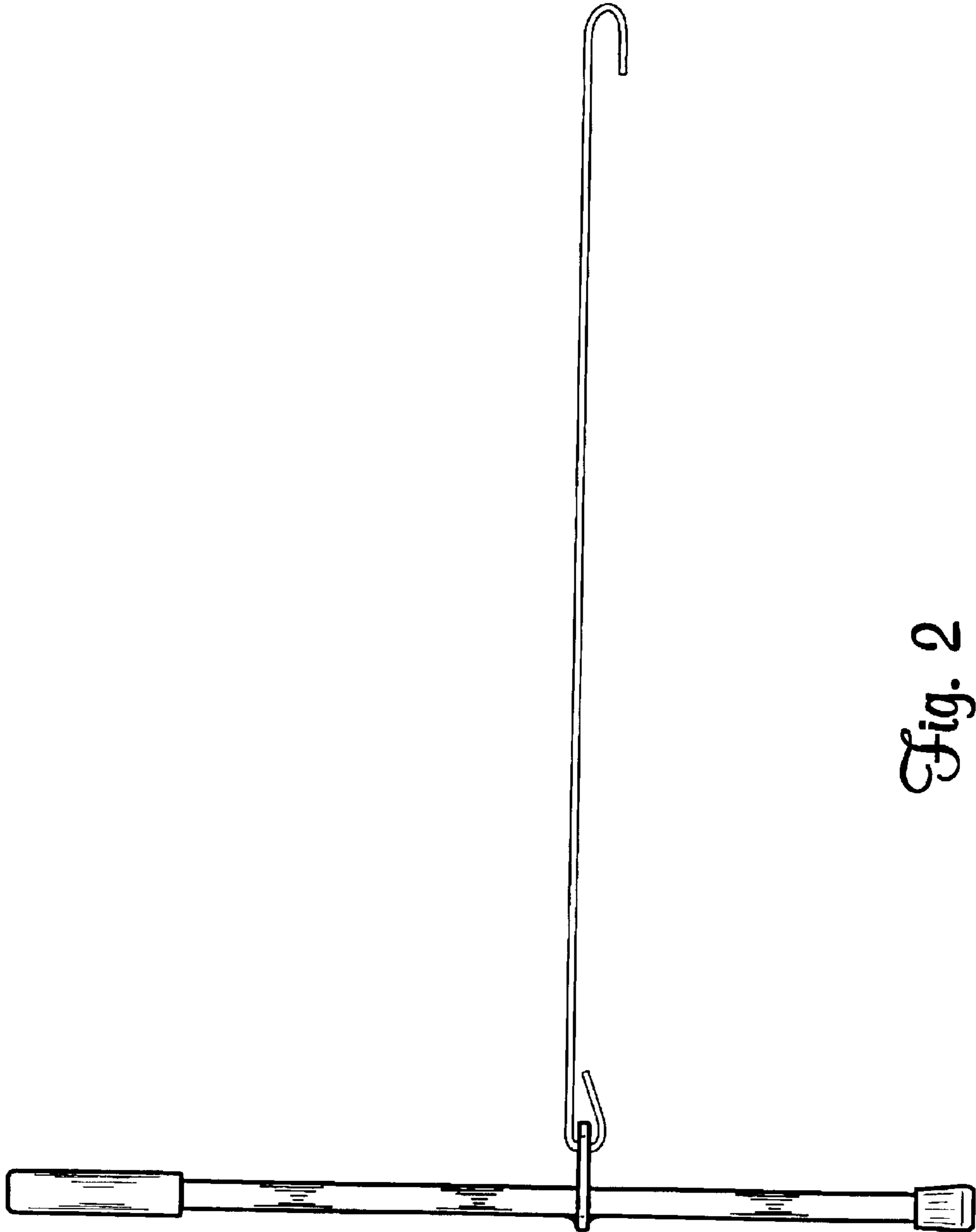


Fig. 2