



US00D490030S

(12) **United States Design Patent**
Spencer

(10) **Patent No.:** **US D490,030 S**

(45) **Date of Patent:** **** May 18, 2004**

(54) **PADDED PERSONAL TRANSPORTER FOR HANDICAPPED CHILD**

D312,992 S * 12/1990 Liebman D12/132
D319,717 S 9/1991 Schultz
D320,484 S 10/1991 Wallin

(76) **Inventor:** **Benny L. Spencer**, 405 Ruffin Dr.,
Sardis, MS (US) 38666

* cited by examiner

(**) **Term:** **14 Years**

Primary Examiner—Marcus A. Jackson

(74) *Attorney, Agent, or Firm*—Donald R. Schoonover

(21) **Appl. No.:** **29/186,162**

(57) **CLAIM**

(22) **Filed:** **Jul. 11, 2003**

I claim the ornamental design for a padded personal transporter for handicapped child, as shown and described.

(51) **LOC (7) Cl.** **12-12**

DESCRIPTION

(52) **U.S. Cl.** **D12/132**

(58) **Field of Search** D12/128-133;
5/81, 81 B, 81 C, 82 R, 434, 436; 128/870

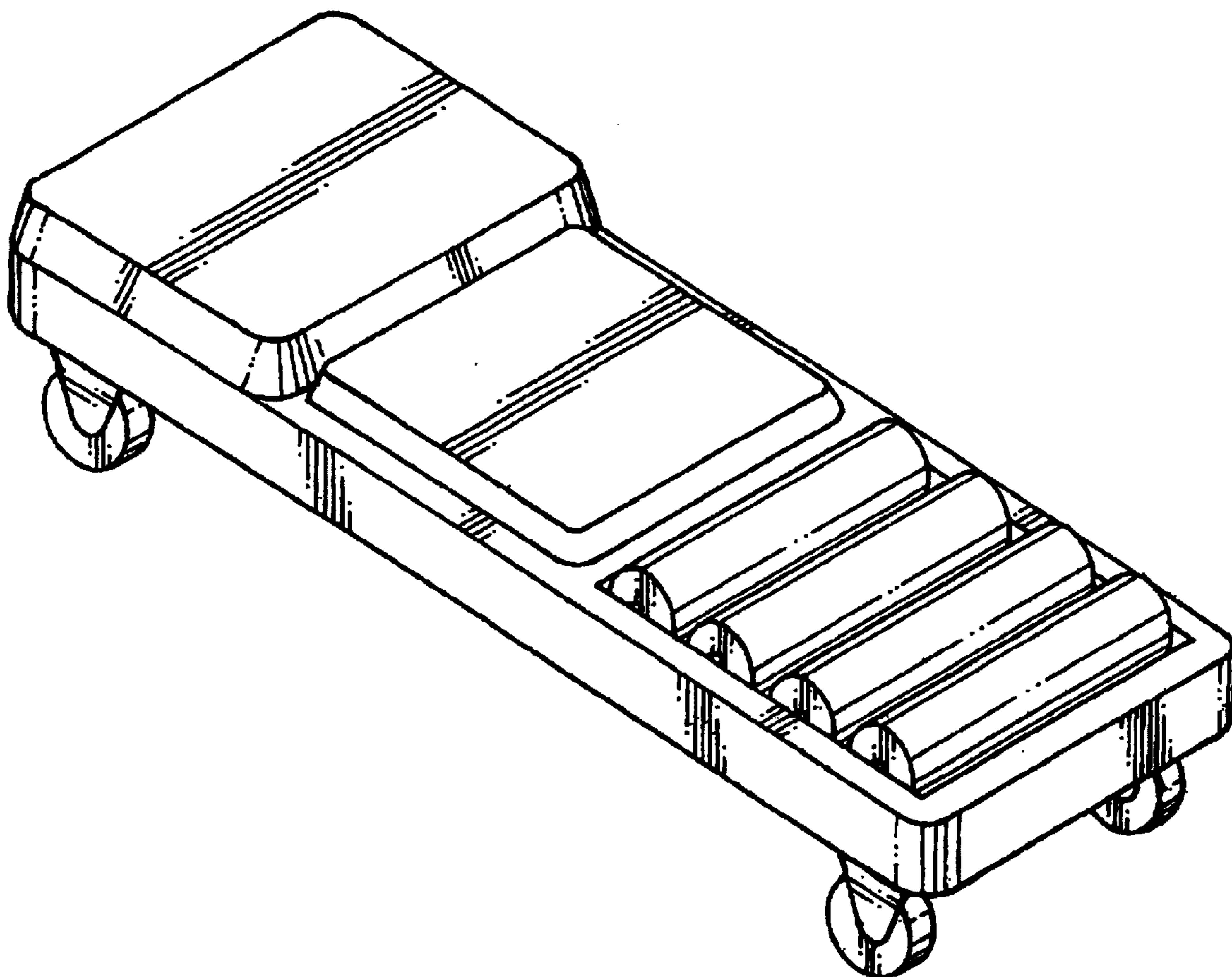
FIG. 1 is a perspective view of a padded personal transporter for handicapped child showing my new design;
FIG. 2 is a side elevational view thereof, the elevational view of the opposing side being a mirror image thereof;
FIG. 3 is an end elevational view thereof;
FIG. 4 is an elevational view of the opposing end thereof;
FIG. 5 is a top plan view thereof; and,
FIG. 6 is a bottom plan view thereof.

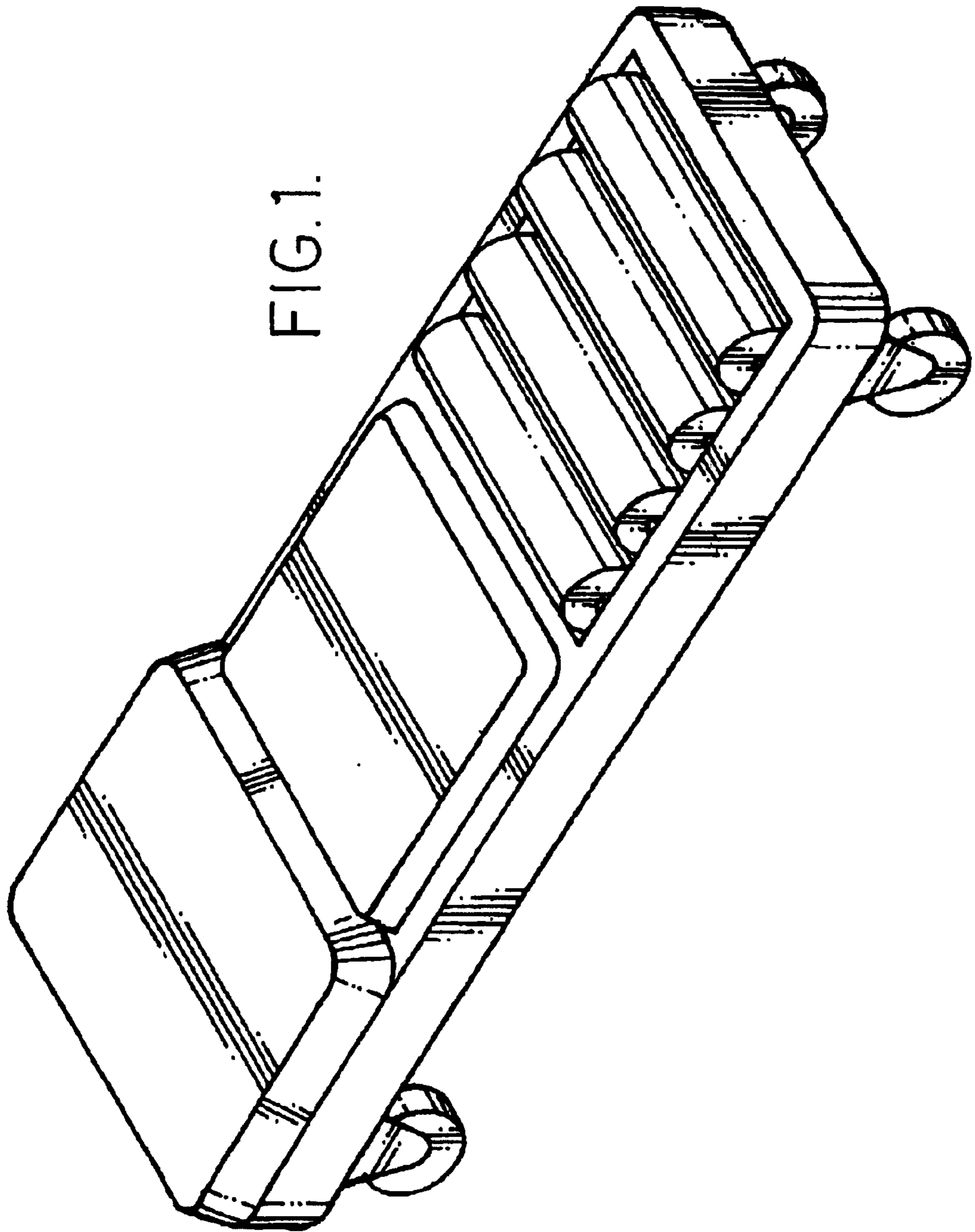
(56) **References Cited**

U.S. PATENT DOCUMENTS

4,688,279 A * 8/1987 Vance D12/132
4,909,524 A 3/1990 Paine
D309,967 S 8/1990 Fagan
4,957,302 A 9/1990 Maxwell

1 Claim, 3 Drawing Sheets





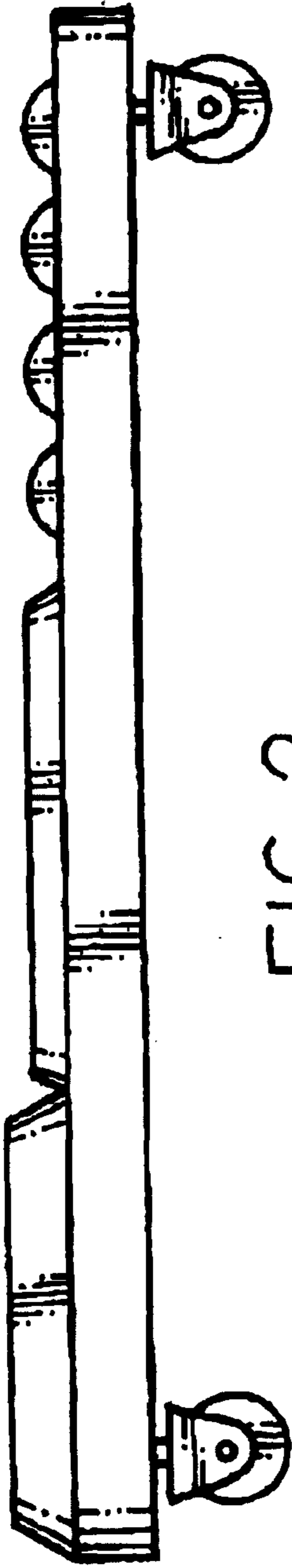


FIG. 2.

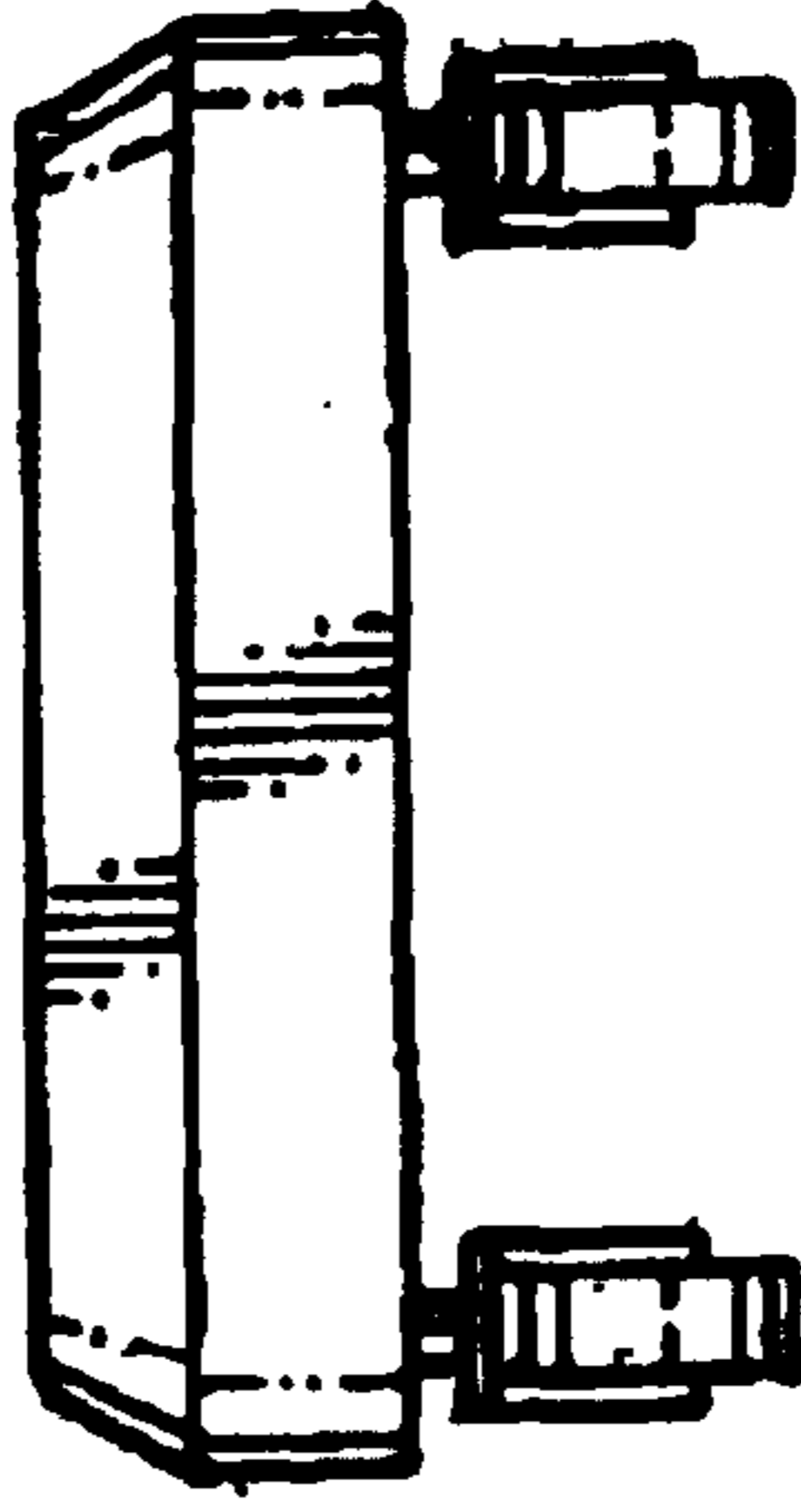


FIG. 4.

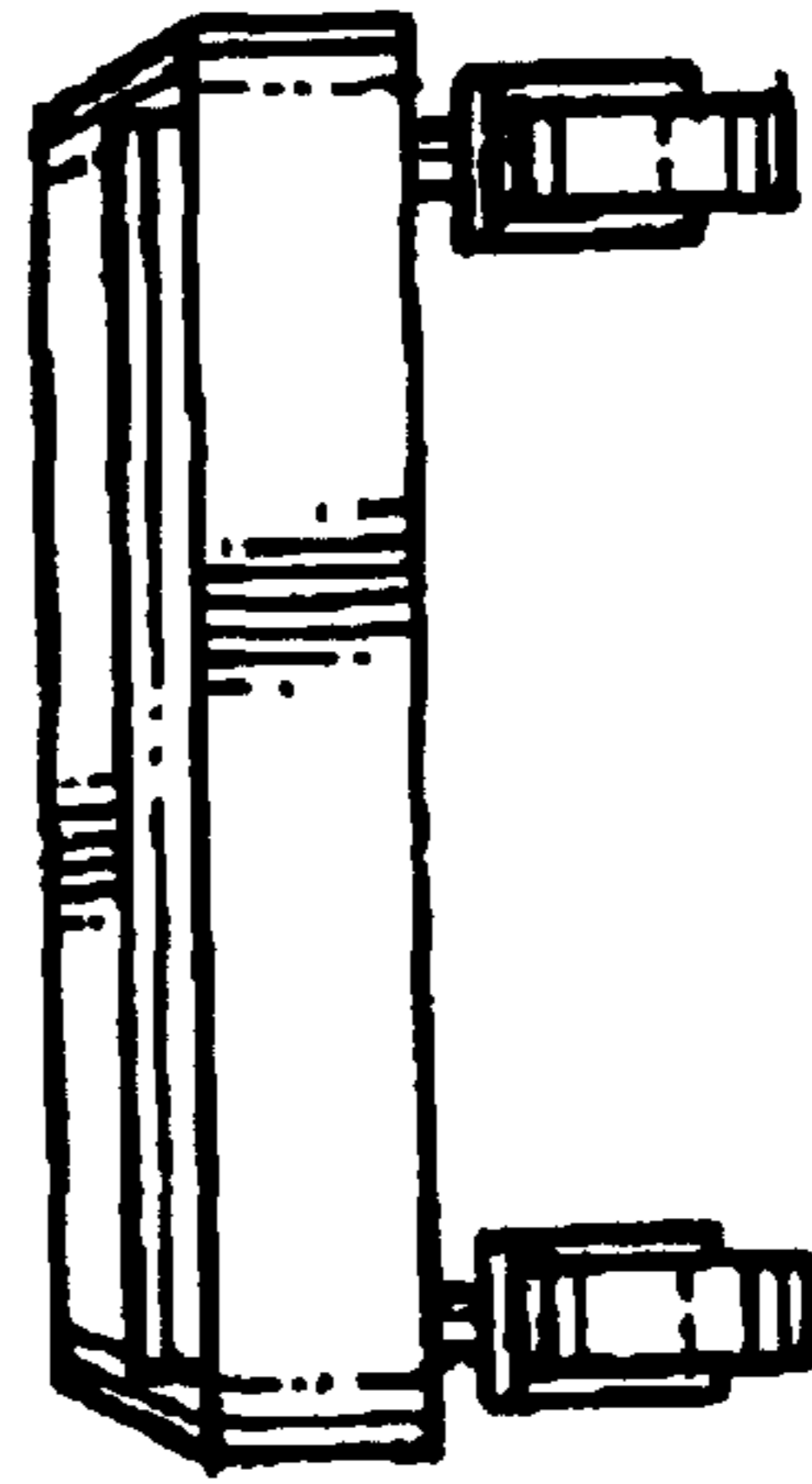


FIG. 3.

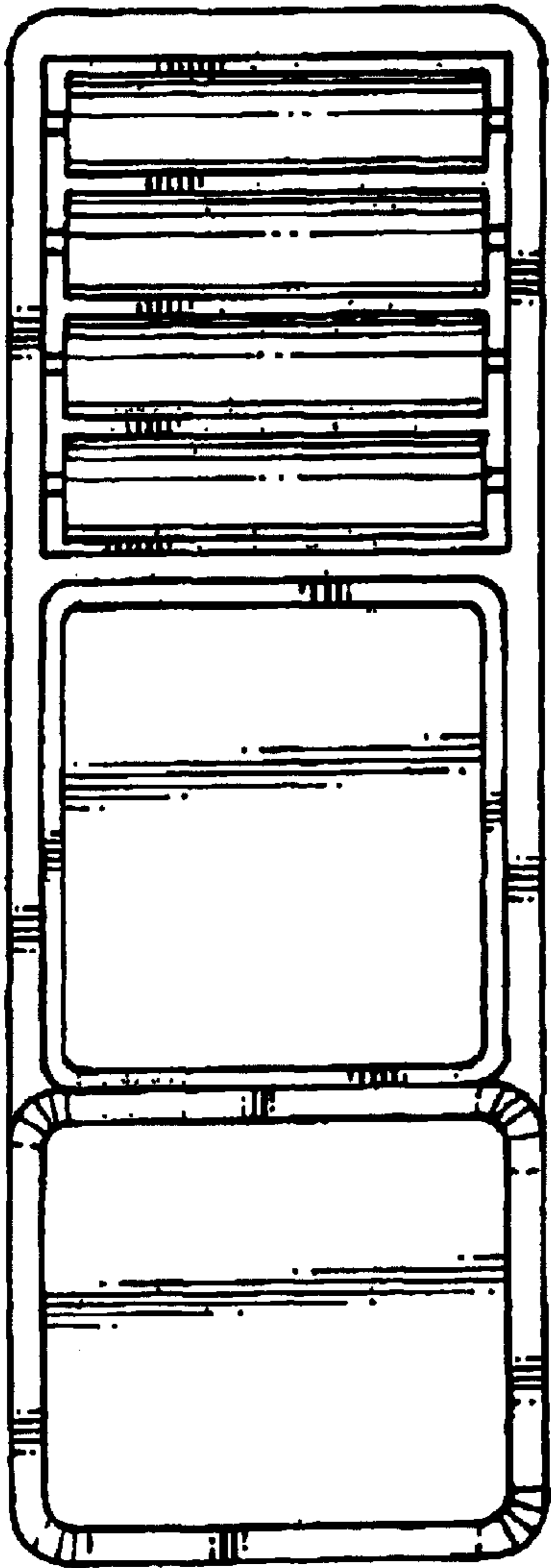


FIG. 5.

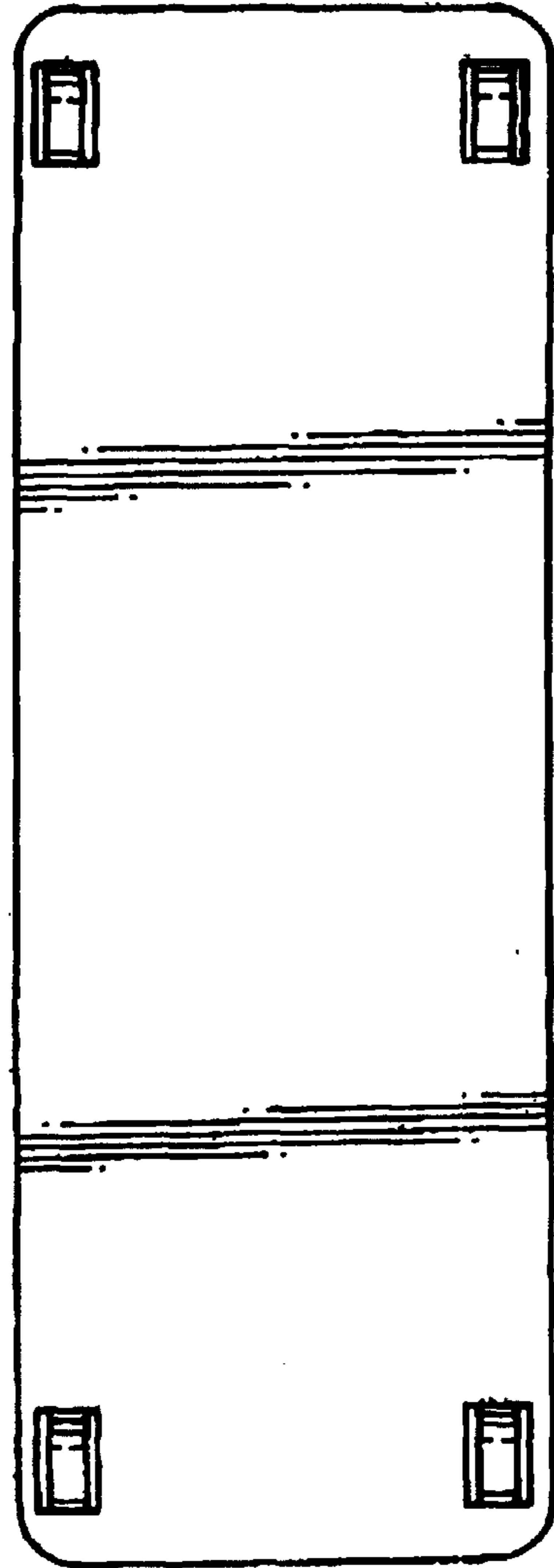


FIG. 6.