



US00D490029S

(12) **United States Design Patent**  
**Chao**

(10) **Patent No.:** **US D490,029 S**

(45) **Date of Patent:** **\*\* May 18, 2004**

(54) **ELECTRIC MOBILITY SCOOTER**

(75) **Inventor:** **Chin-Wei Chao, Kaohsiung (TW)**

(73) **Assignee:** **Kwang Yang Motor Co., Ltd.,  
Kaohsiung (TW)**

(\*\*) **Term:** **14 Years**

(21) **Appl. No.:** **29/189,186**

(22) **Filed:** **Sep. 2, 2003**

(51) **LOC (7) Cl.** ..... **12-99**

(52) **U.S. Cl.** ..... **D12/131**

(58) **Field of Search** ..... **D12/129-133;**  
**280/250.1, 304.1; 180/6.5, 65.1, 907, 908;**  
**297/DIG. 4**

(56) **References Cited**

**U.S. PATENT DOCUMENTS**

- D325,892 S \* 5/1992 Nesterick et al. .... D12/131
- 5,150,762 A \* 9/1992 Stegeman et al. .... D12/131
- 5,238,082 A \* 8/1993 Stegeman et al. .... D12/131

- D401,190 S \* 11/1998 Krause ..... D12/131
- D444,422 S \* 7/2001 Cheng ..... D12/131
- D462,639 S \* 9/2002 Lin ..... D12/131
- D474,719 S \* 5/2003 Mayer et al. .... D12/131

\* cited by examiner

*Primary Examiner*—Marcus A. Jackson

(74) *Attorney, Agent, or Firm*—Leong C. Lei

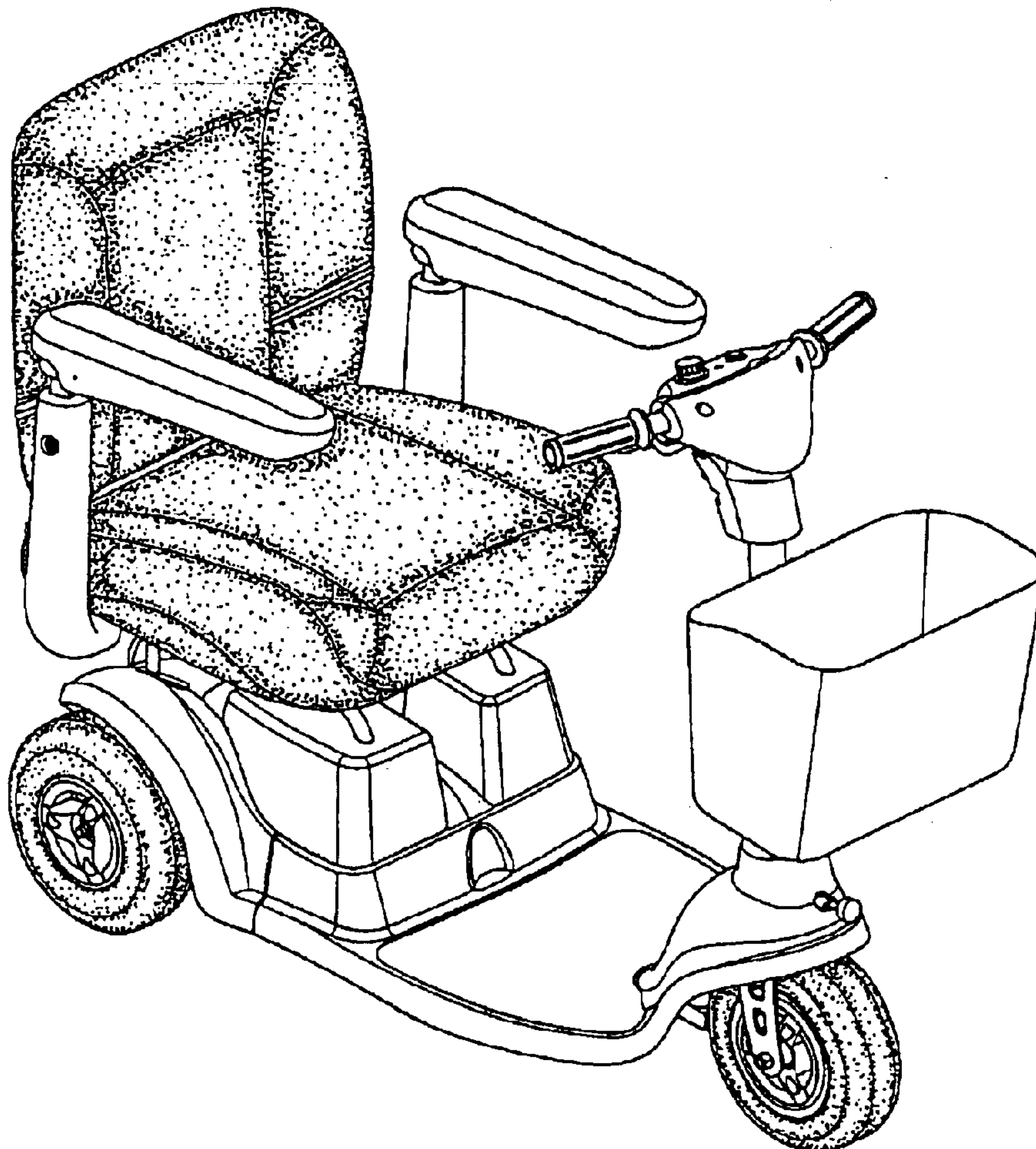
(57) **CLAIM**

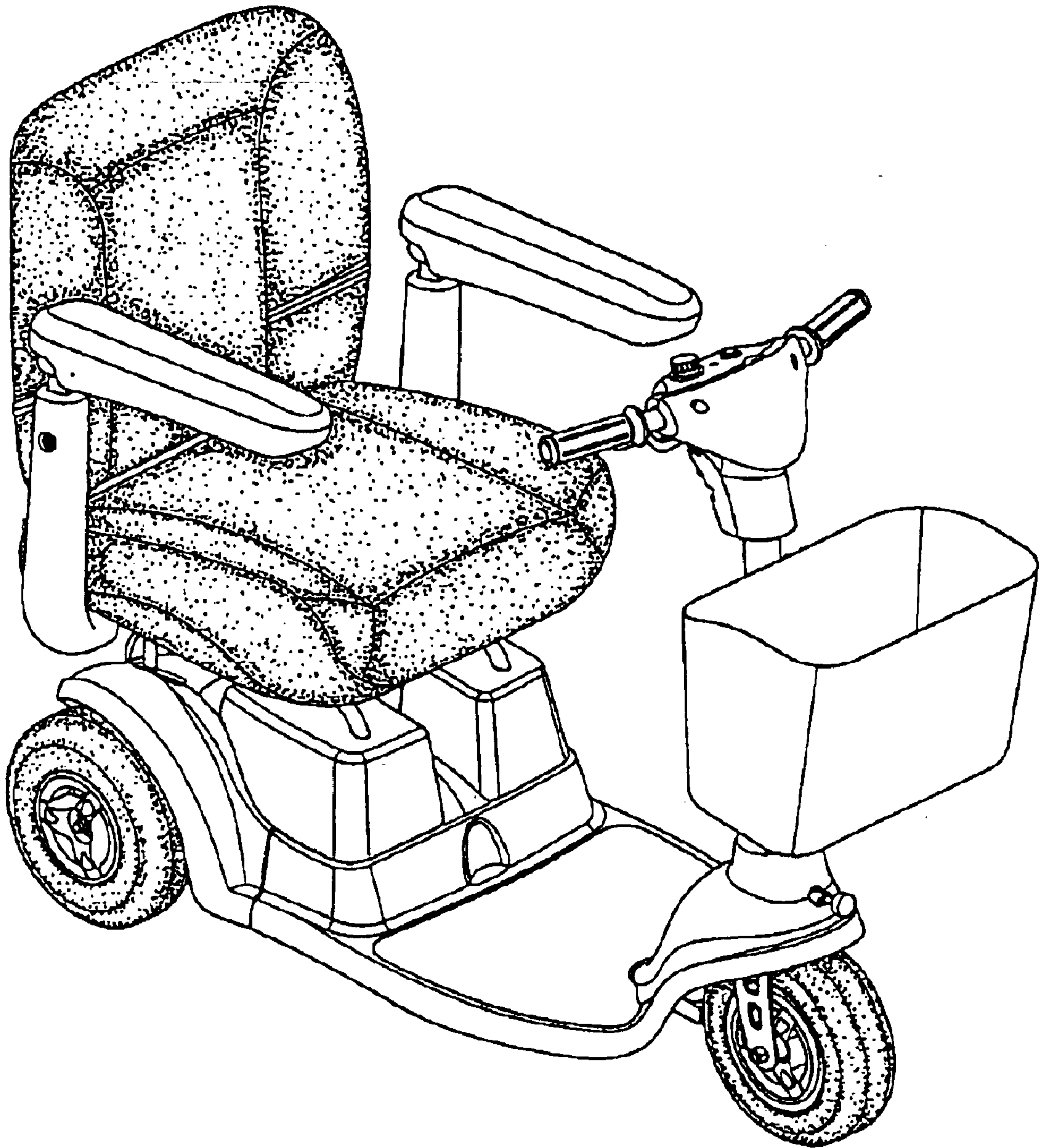
The ornamental design for an electric mobility scooter, as shown and described.

**DESCRIPTION**

FIG. 1 is perspective view of an electric mobility scooter showing my new design;  
 FIG. 2 is a front side elevation view thereof;  
 FIG. 3 is a rear side elevation view thereof;  
 FIG. 4 is a left side elevation view thereof;  
 FIG. 5 is a right side elevation view thereof;  
 FIG. 6 is a top plan view thereof; and,  
 FIG. 7 is a bottom plan view thereof.

**1 Claim, 4 Drawing Sheets**





**FIG. 1**

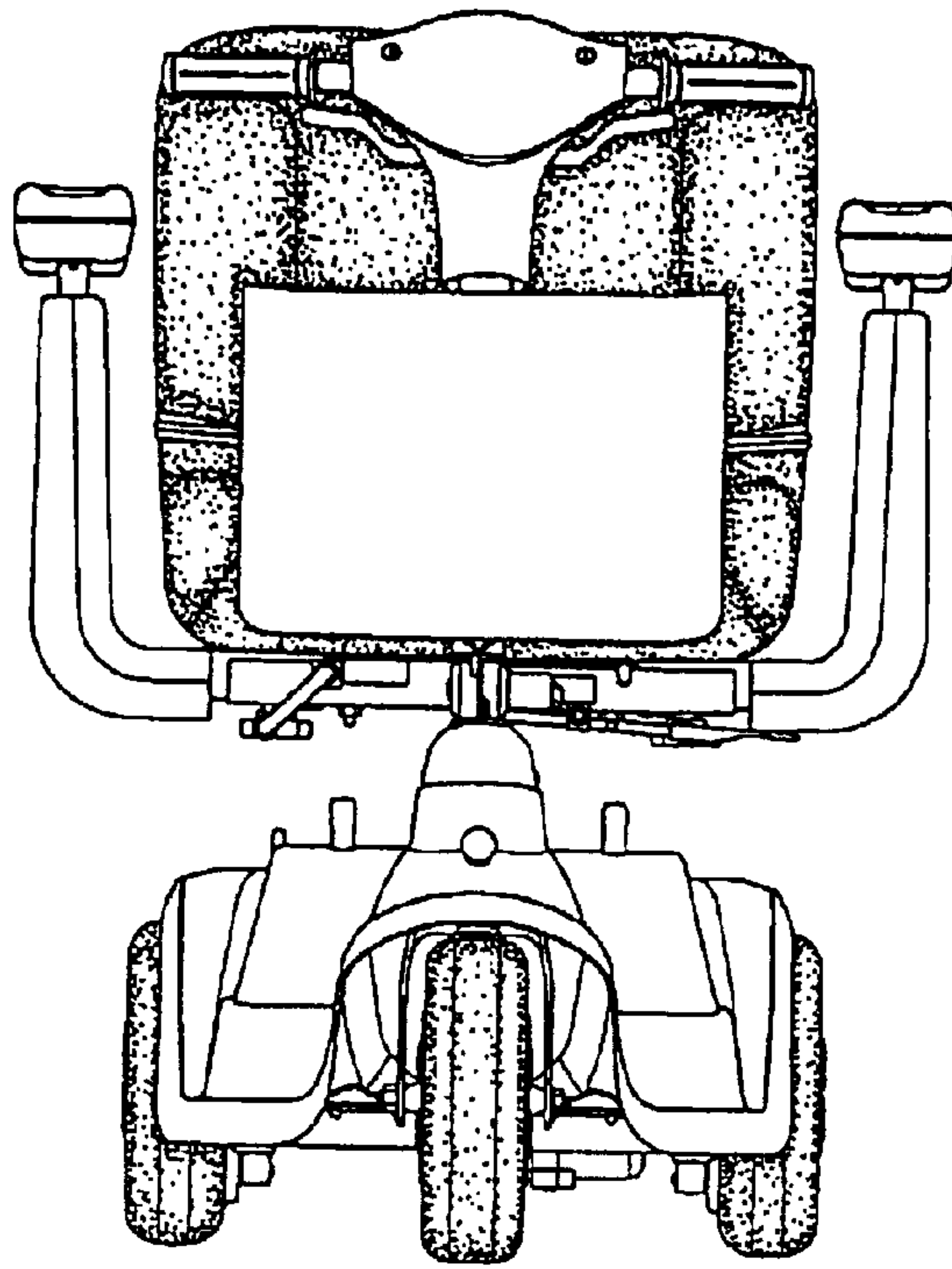


FIG. 2

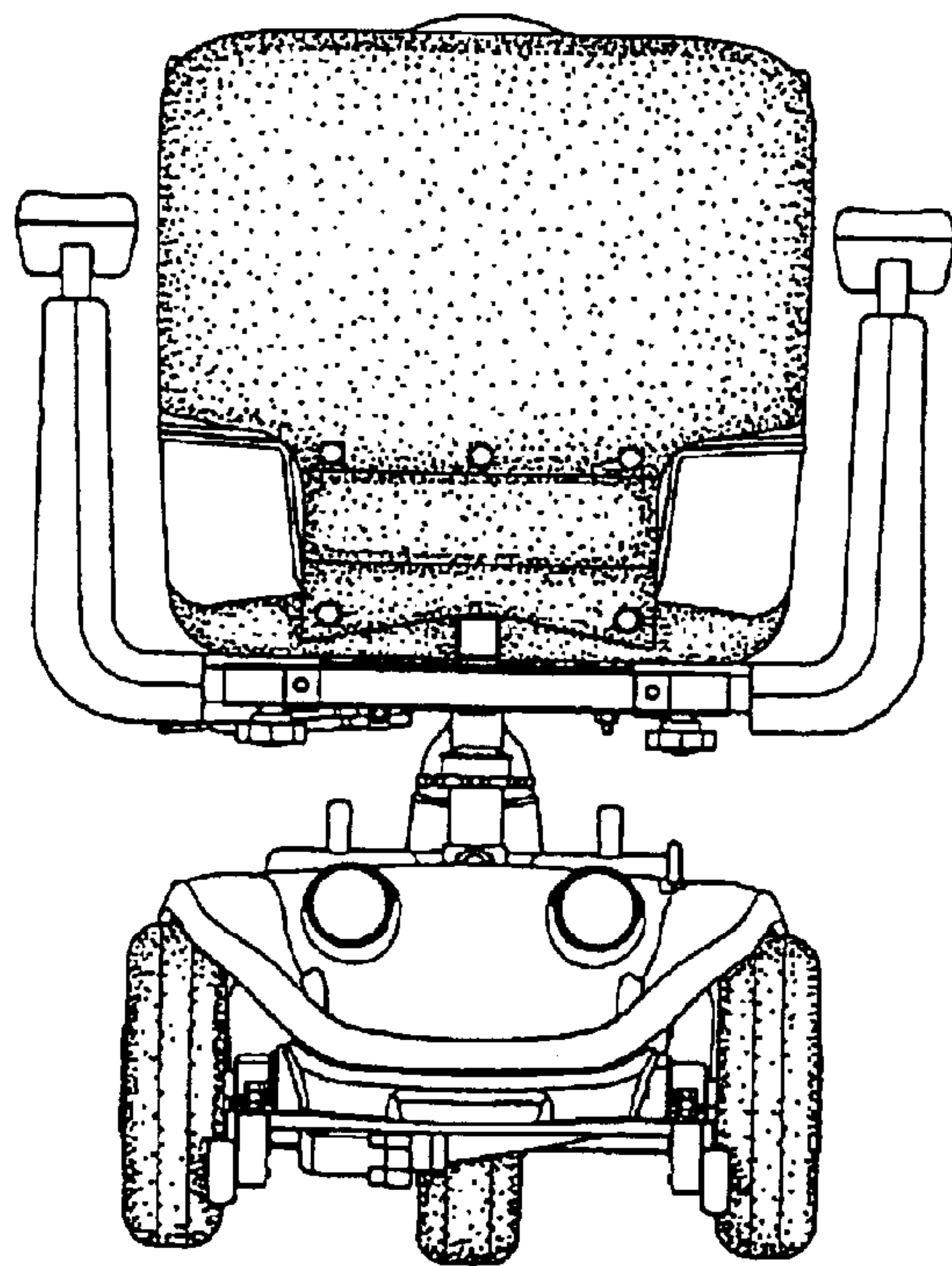


FIG. 3



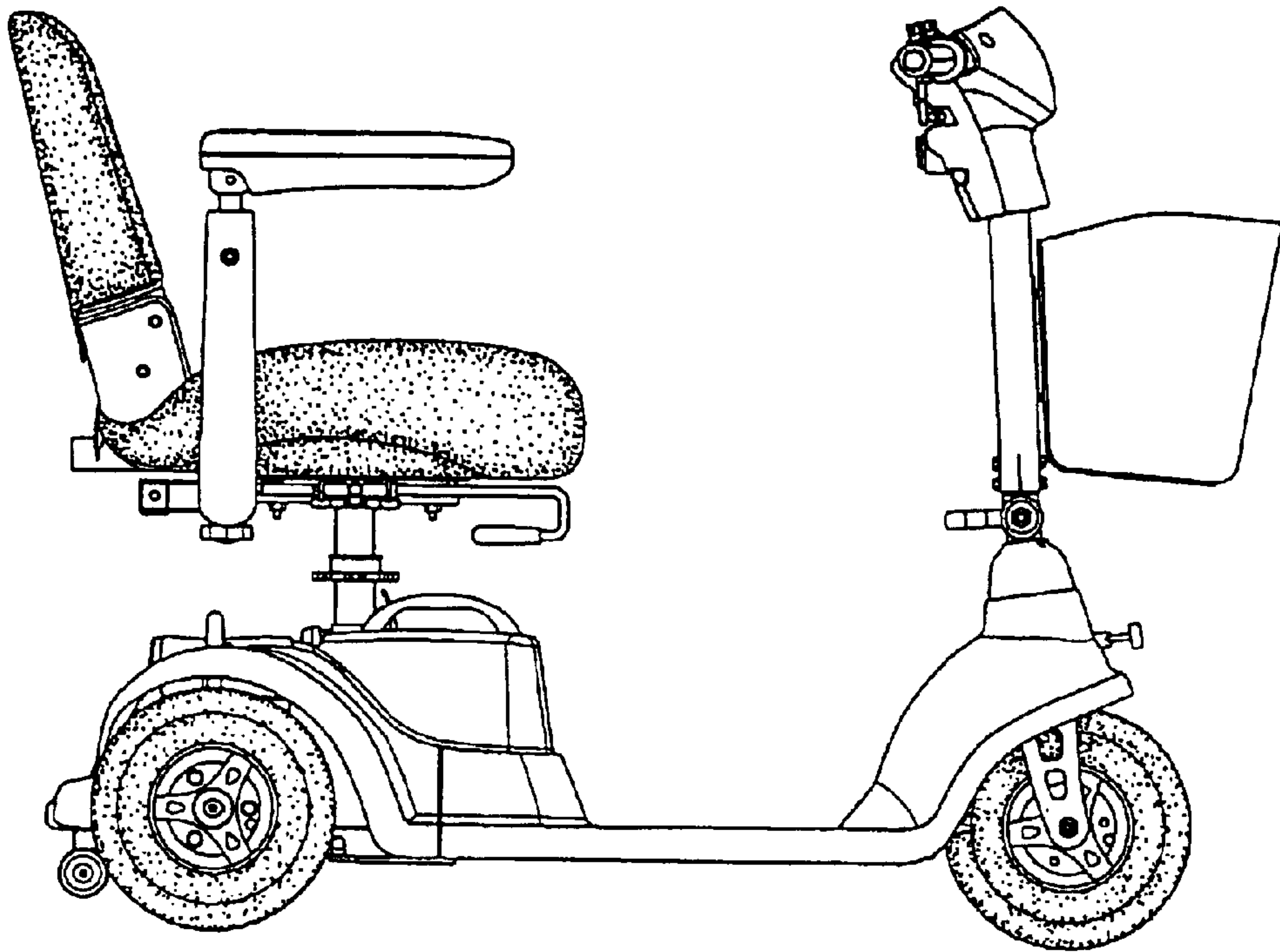


FIG. 4

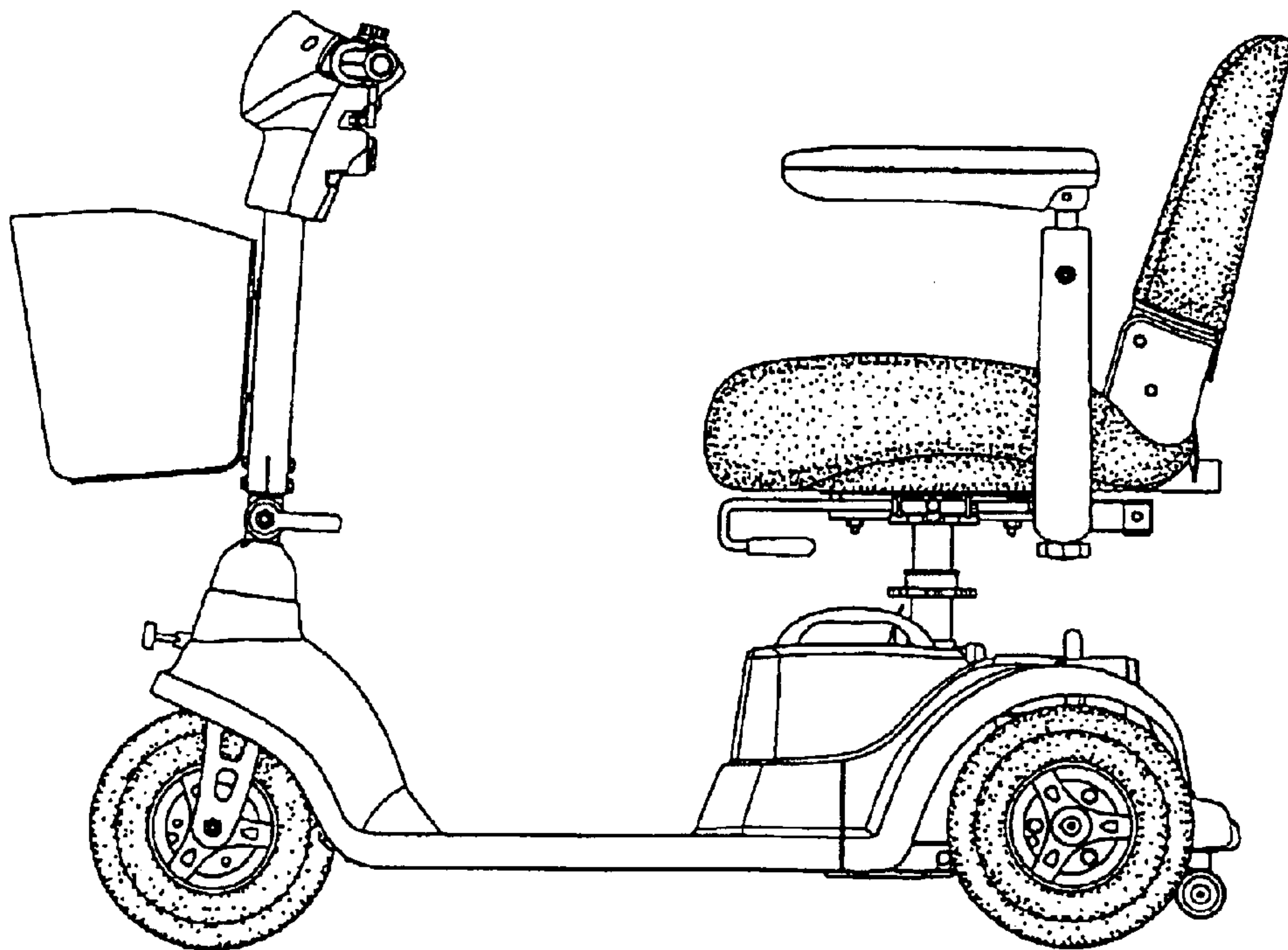


FIG. 5

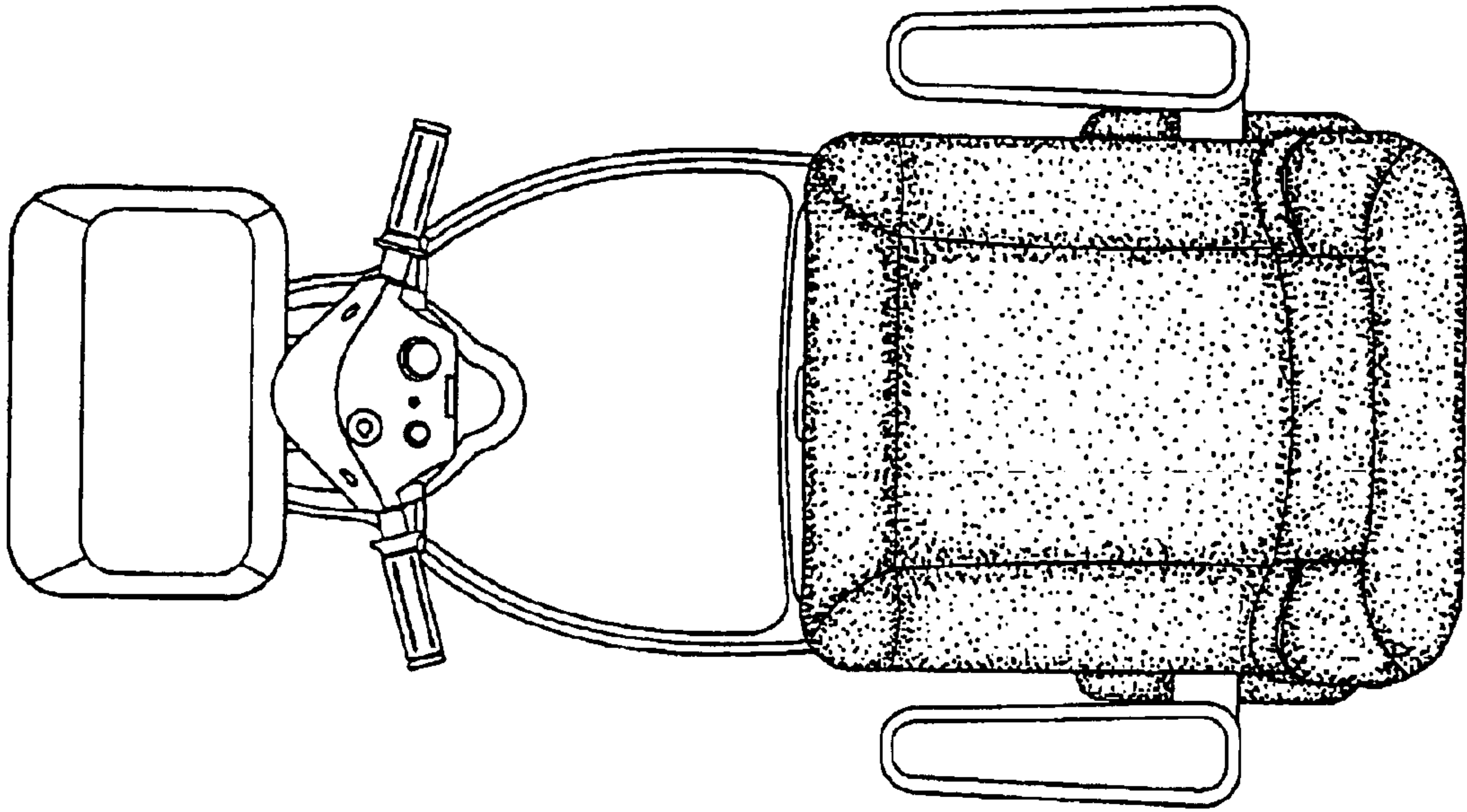


FIG. 6

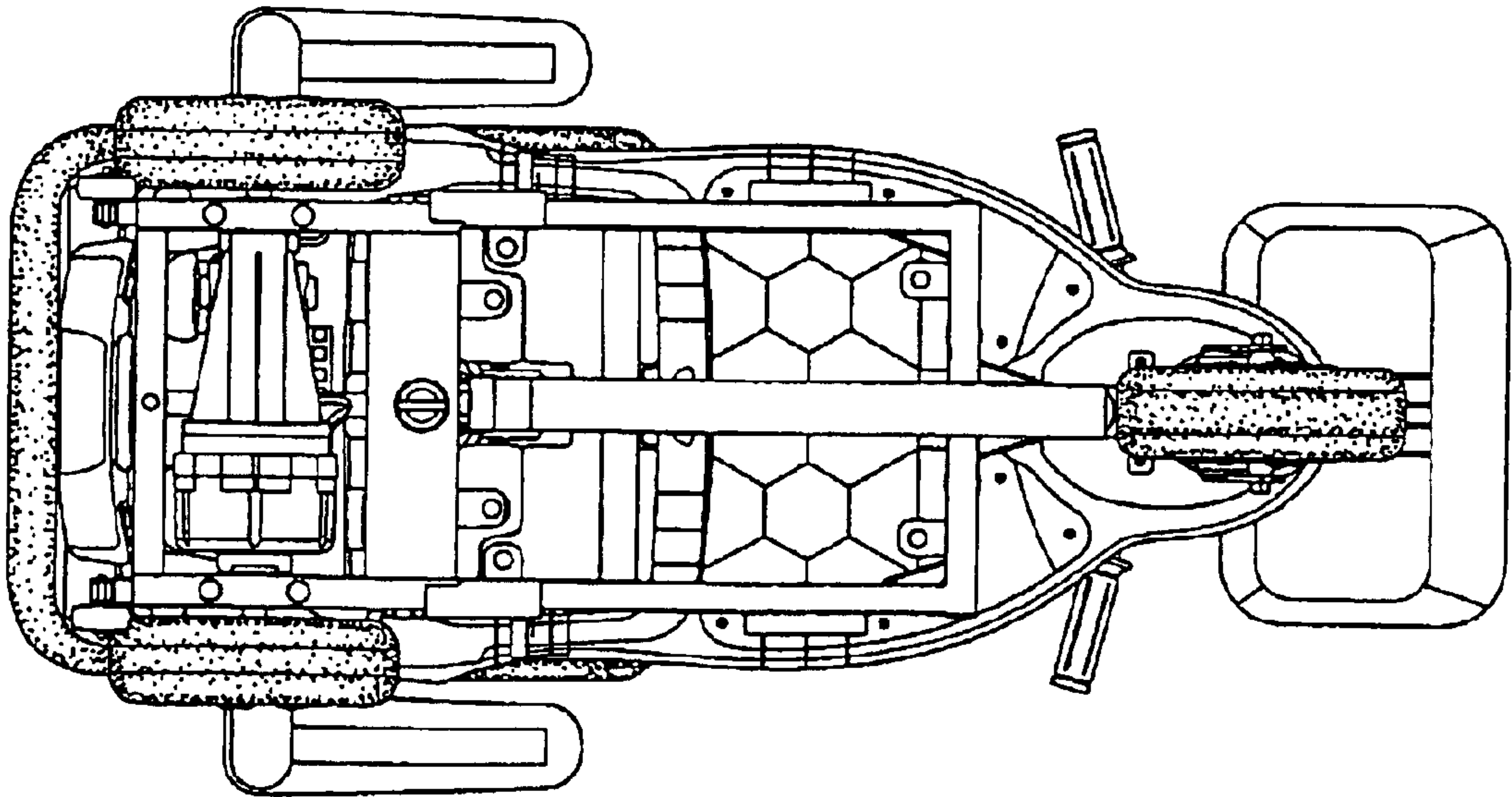


FIG. 7