



US00D490027S

(12) **United States Design Patent**
Martin Gonzalez-Quévedo

(10) **Patent No.:** **US D490,027 S**

(45) **Date of Patent:** **** May 18, 2004**

(54) **BICYCLE FRAME**

(76) Inventor: **Juan F. Martin Gonzalez-Quévedo**,
1180 Warwick Dr., Virginia Beach, VA
(US) 23453

(**) Term: **14 Years**

(21) Appl. No.: **29/172,171**

(22) Filed: **Dec. 6, 2002**

(51) **LOC (7) Cl.** **12-11**

(52) **U.S. Cl.** **D12/111**

(58) **Field of Search** D12/111, 117-119;
280/281.1, 274-278, 284-288, 288.1-288.3

(56) **References Cited**

U.S. PATENT DOCUMENTS

5,253,890 A * 10/1993 Takamiya et al. 280/281.1

D380,990 S * 7/1997 Chien D12/111

* cited by examiner

Primary Examiner—Alan P. Douglas

Assistant Examiner—Linda Brooks

(74) *Attorney, Agent, or Firm*—Bradley D. Goldizen

(57) **CLAIM**

The ornamental design for a bicycle frame, as shown and described.

DESCRIPTION

FIG. 1 is an overhead view of the bicycle frame.

FIG. 2 is a bottom view of the bicycle frame.

FIG. 3 is an angled view of the bicycle frame from the left side.

FIG. 4 is a left side view of the bicycle frame.

FIG. 5 is a right side view of the bicycle frame.

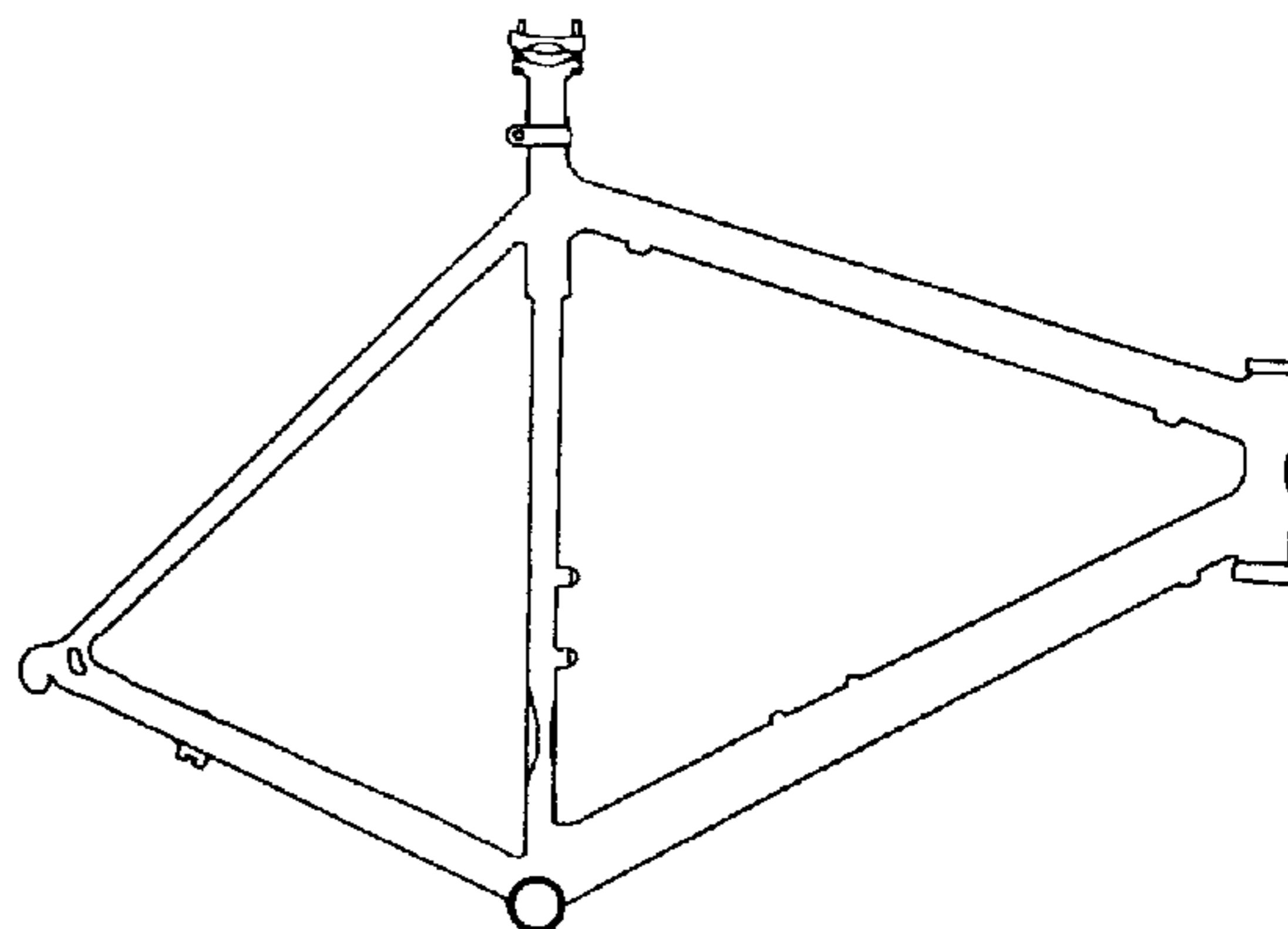
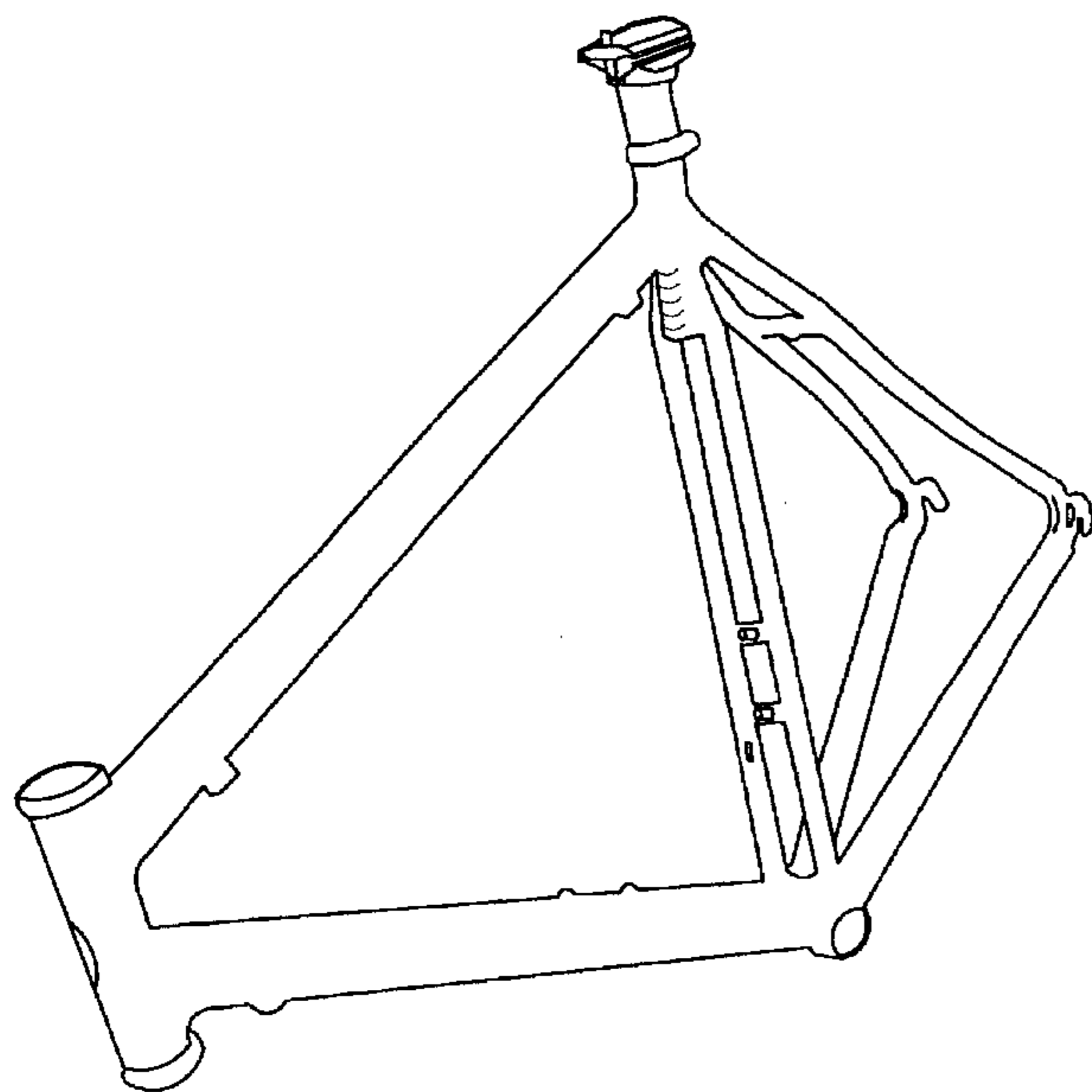
FIG. 6 is a front view of the bicycle frame; and,

FIG. 7 is a rear view of the bicycle frame.

The application is directed to a design for a bicycle frame.

For ease in understanding the invention, the views of the upper and lower front frame members have not been shown in FIG. 7.

1 Claim, 7 Drawing Sheets



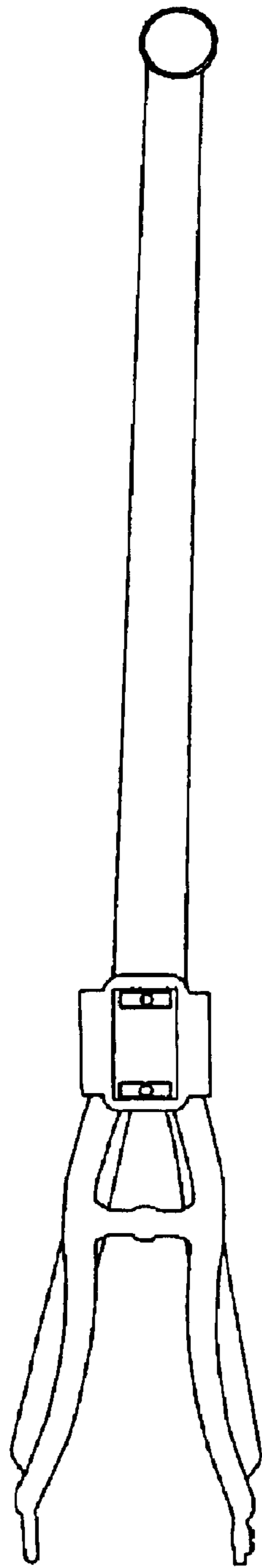


Figure 1

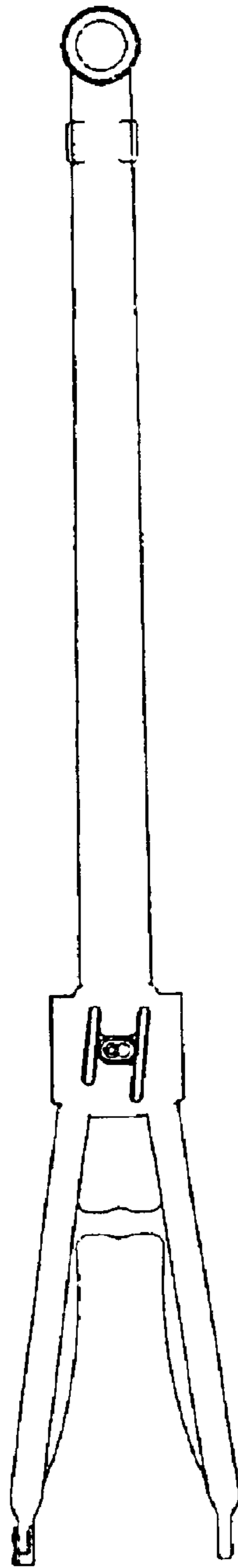


Figure 2

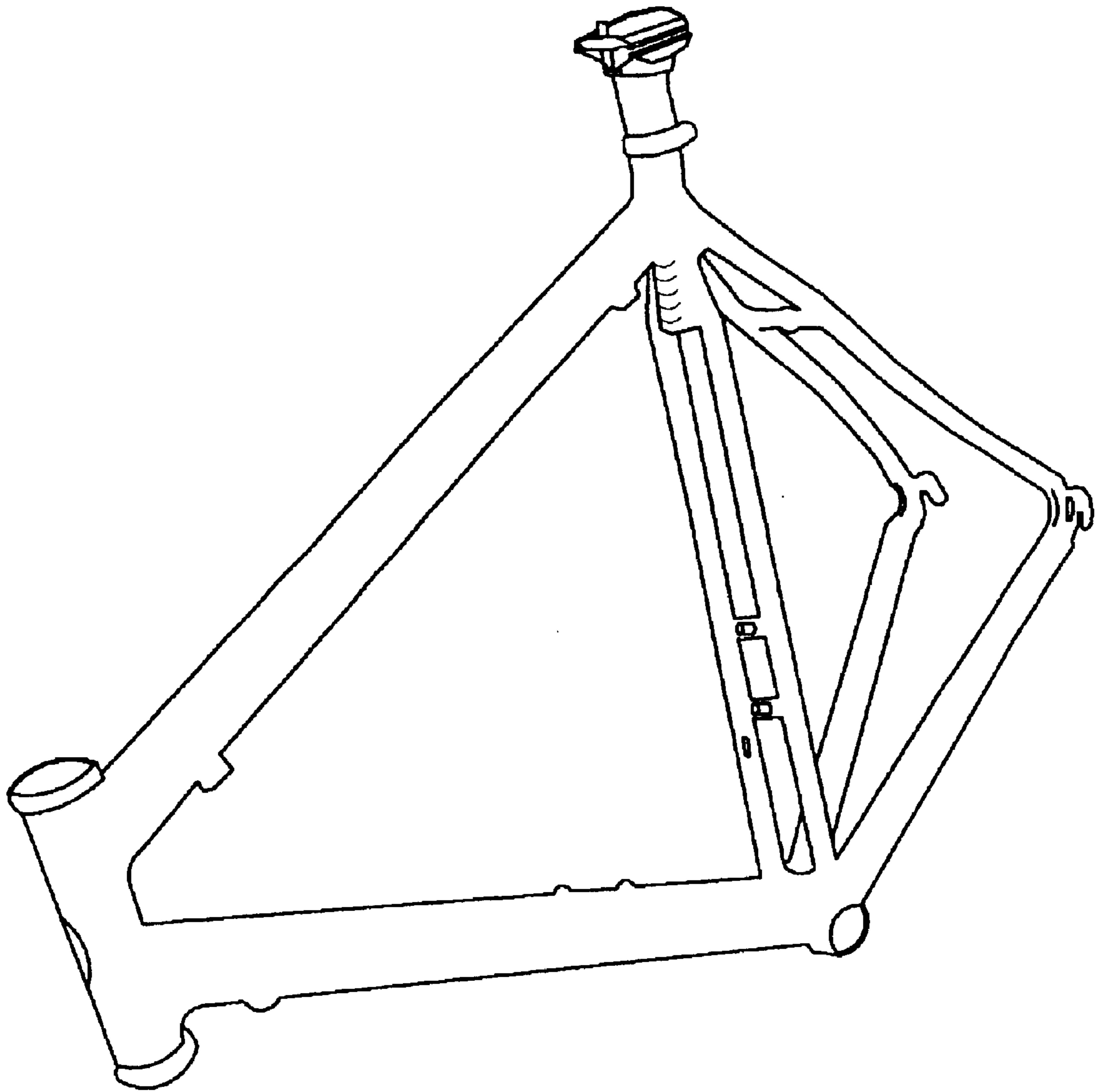


Figure 3

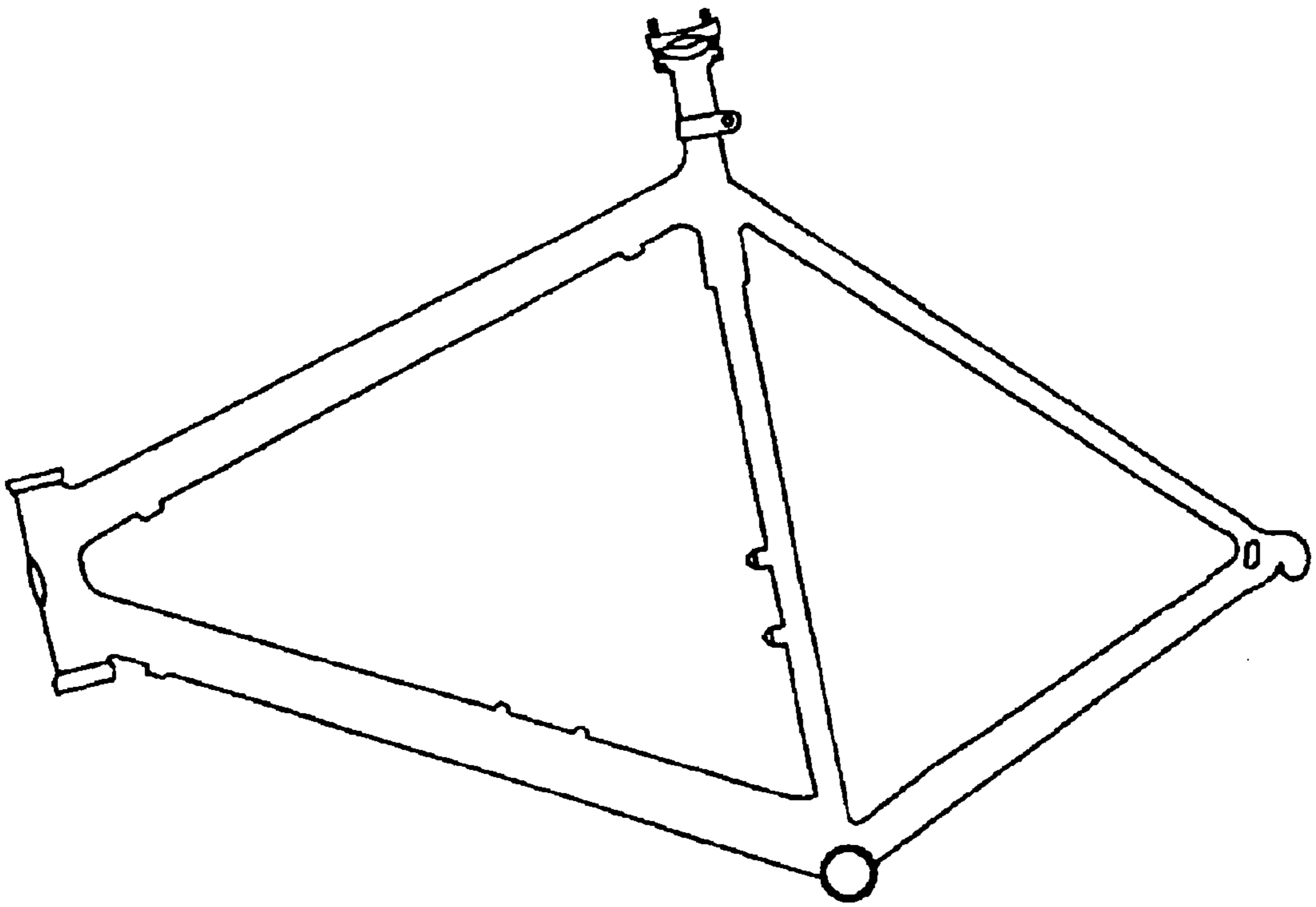


Figure 4

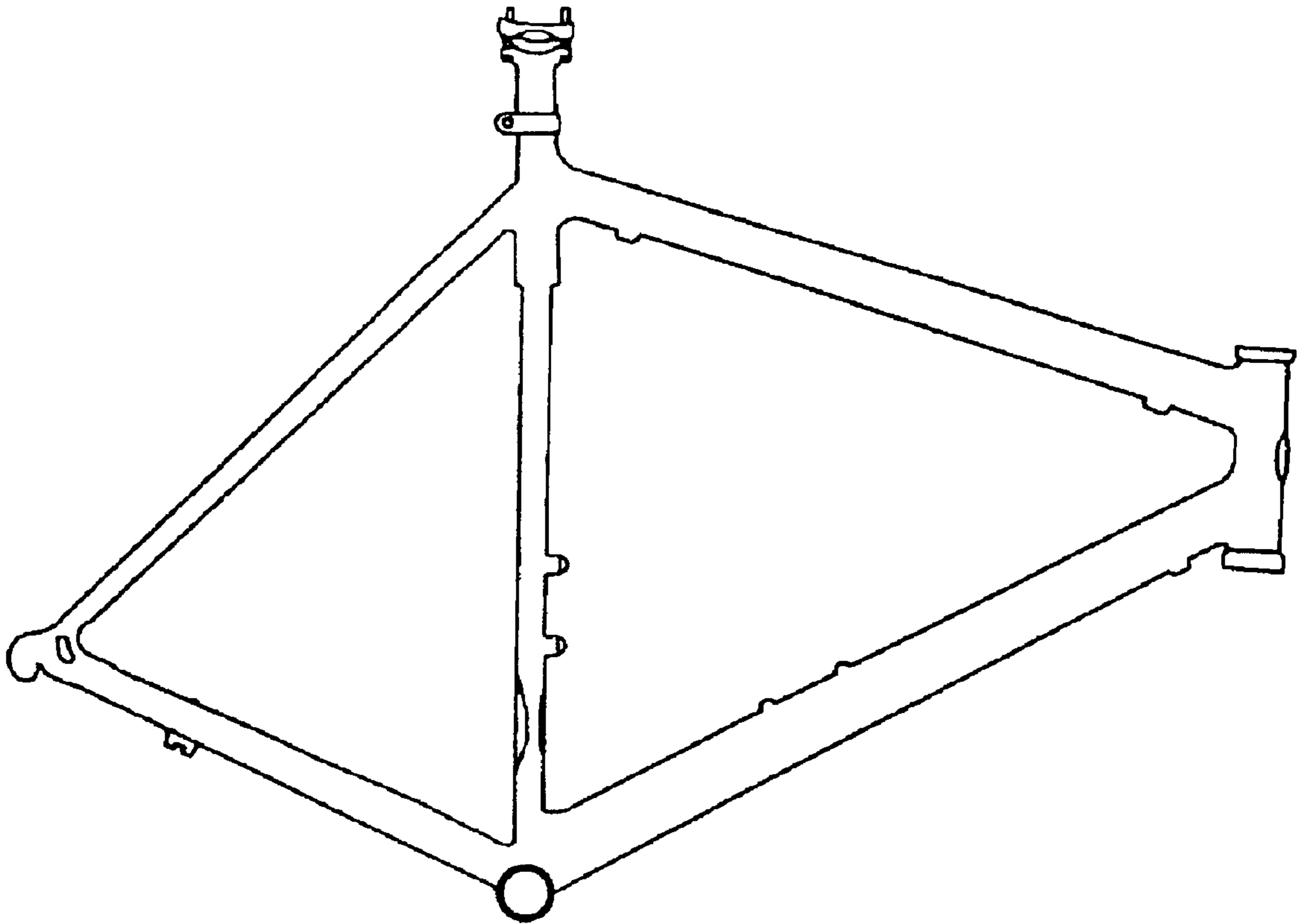


Figure 5

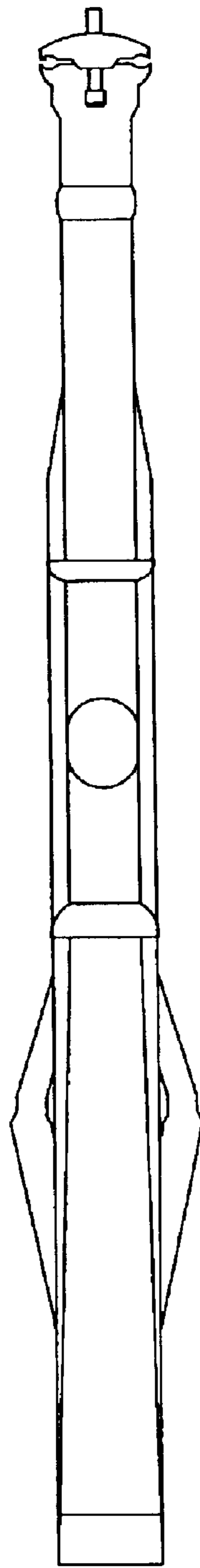


Figure 6

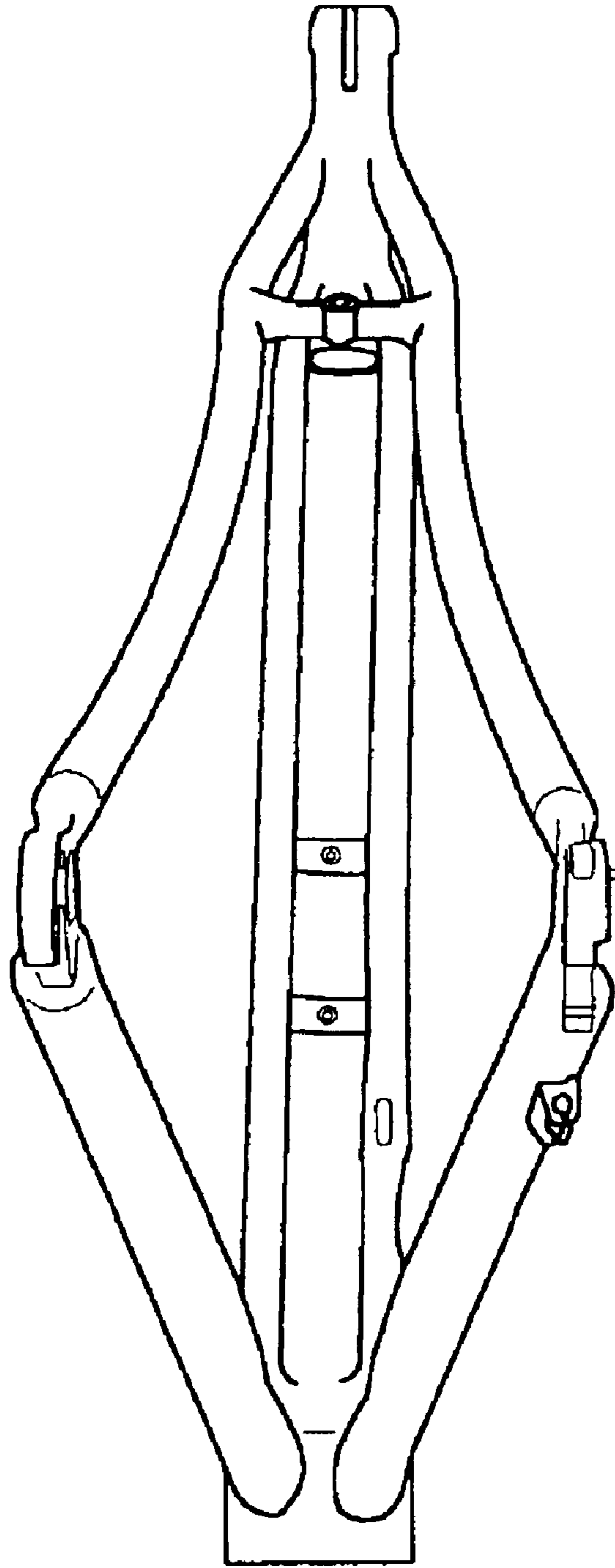


Figure 7