



US00D490025S

(12) **United States Design Patent**  
**Oakley**

(10) **Patent No.:** **US D490,025 S**

(45) **Date of Patent:** **\*\* May 18, 2004**

(54) **TRUCK MOUNTED TANK PROVIDING A HEATED HIGHLY VISCOUS FLUID**

(76) **Inventor:** **Brett Oakley**, 6866 Chrisman La.,  
Middletown, OH (US) 45042

(\*\*) **Term:** **14 Years**

(21) **Appl. No.:** **29/182,156**

(22) **Filed:** **May 20, 2003**

(51) **LOC (7) Cl.** ..... **12-08**

(52) **U.S. Cl.** ..... **D12/95; D23/202**

(58) **Field of Search** ..... **D12/95; D23/200,**  
**D23/202, 203; 220/565, 567, 4.12; 296/181,**  
**183**

(56) **References Cited**

**U.S. PATENT DOCUMENTS**

3,092,325 A	6/1963	Brown, Jr. et al.
3,131,757 A	5/1964	Bergstrom et al.
3,554,449 A	1/1971	Currie
3,682,054 A	8/1972	MacPhail et al.
3,841,527 A	10/1974	Von Roeschlaub
4,190,205 A	2/1980	Mitchell
4,196,827 A	4/1980	Leafdale
4,196,854 A	4/1980	Prucyk
4,284,127 A	8/1981	Collier et al.
4,345,641 A	8/1982	Hauser
4,443,909 A	4/1984	Cameron
4,527,712 A	7/1985	Cobbs, Jr. et al.
4,537,349 A	8/1985	Stolz
4,567,918 A	2/1986	Curiel
4,576,122 A	3/1986	Marcato
4,620,645 A	11/1986	Hale
4,878,598 A	11/1989	Ruschhaupt, Jr.
4,887,741 A	12/1989	Downing
4,887,908 A	12/1989	Montgomery et al.

5,239,615 A	8/1993	Moore et al.
5,551,384 A	9/1996	Hollis
5,656,136 A	8/1997	Gayaut et al.
5,884,814 A	3/1999	Nelson
6,093,247 A	7/2000	Sipos et al.
6,164,553 A	12/2000	Derksen
6,183,161 B1	2/2001	Neeper
D447,535 S *	9/2001	Oakley ..... D23/202
6,290,097 B1	9/2001	Oakley
6,290,428 B1	9/2001	Hall et al.
D452,294 S *	12/2001	Harthoorn et al. .... D23/202

**FOREIGN PATENT DOCUMENTS**

WO PCT/US99/29770 6/2000

\* cited by examiner

*Primary Examiner*—Lisa Lichtenstein

(74) *Attorney, Agent, or Firm*—Wegman, Hessler & Vanderburg

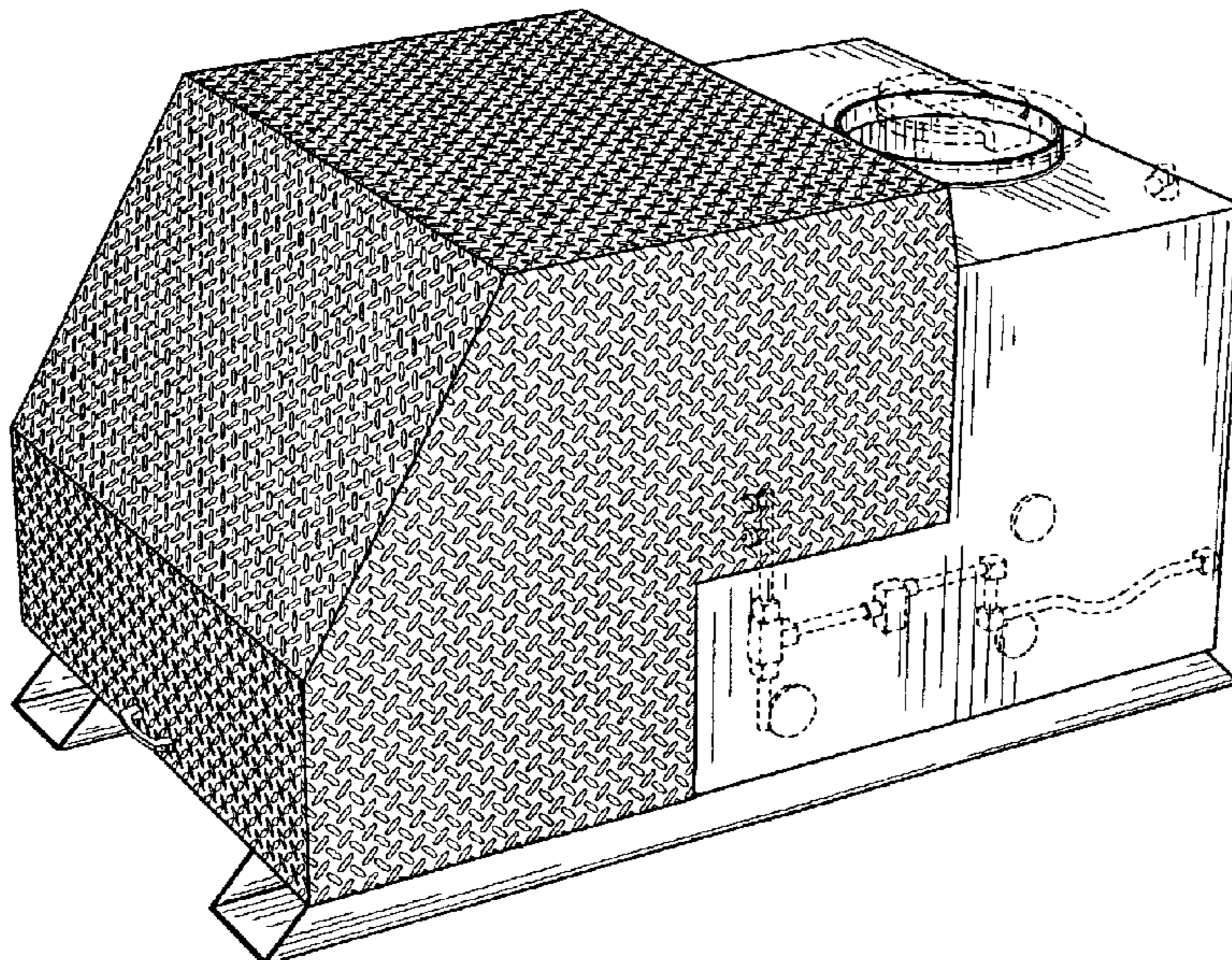
(57) **CLAIM**

The ornamental design for a truck mounted tank providing a heated highly viscous fluid, as shown and described above.

**DESCRIPTION**

FIG. 1 is a perspective view of the mobile supply tank according to the invention;  
FIG. 2 is a front view thereof;  
FIG. 3 is a back side view thereof;  
FIG. 4 is a left side view thereof;  
FIG. 5 is a right side view thereof;  
FIG. 6 is a top plan view thereof; and,  
FIG. 7 is a bottom plan view thereof.  
The broken line showing of environmental structure is for illustrative purposes only and forms no part of the claimed design.

**1 Claim, 4 Drawing Sheets**



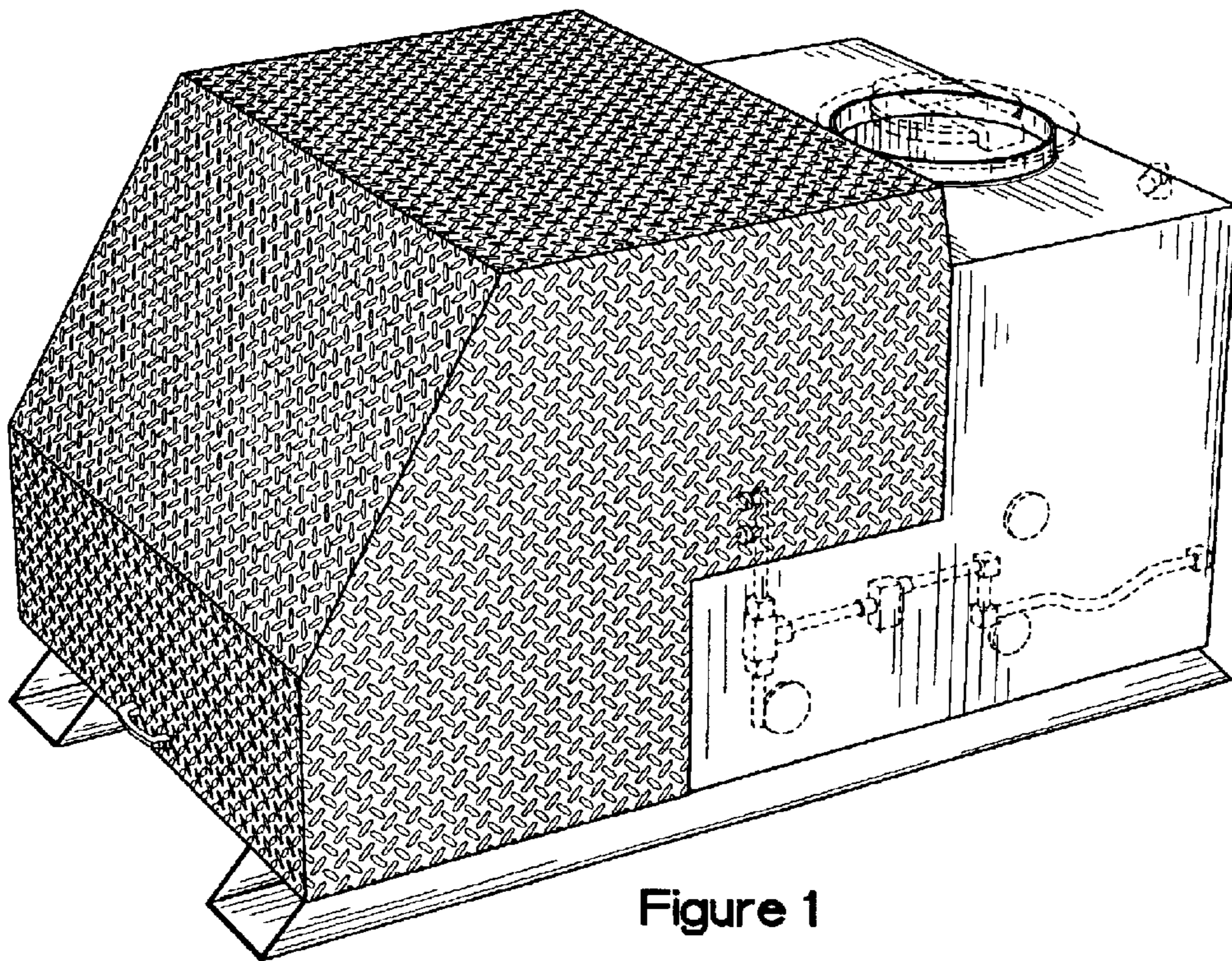


Figure 1

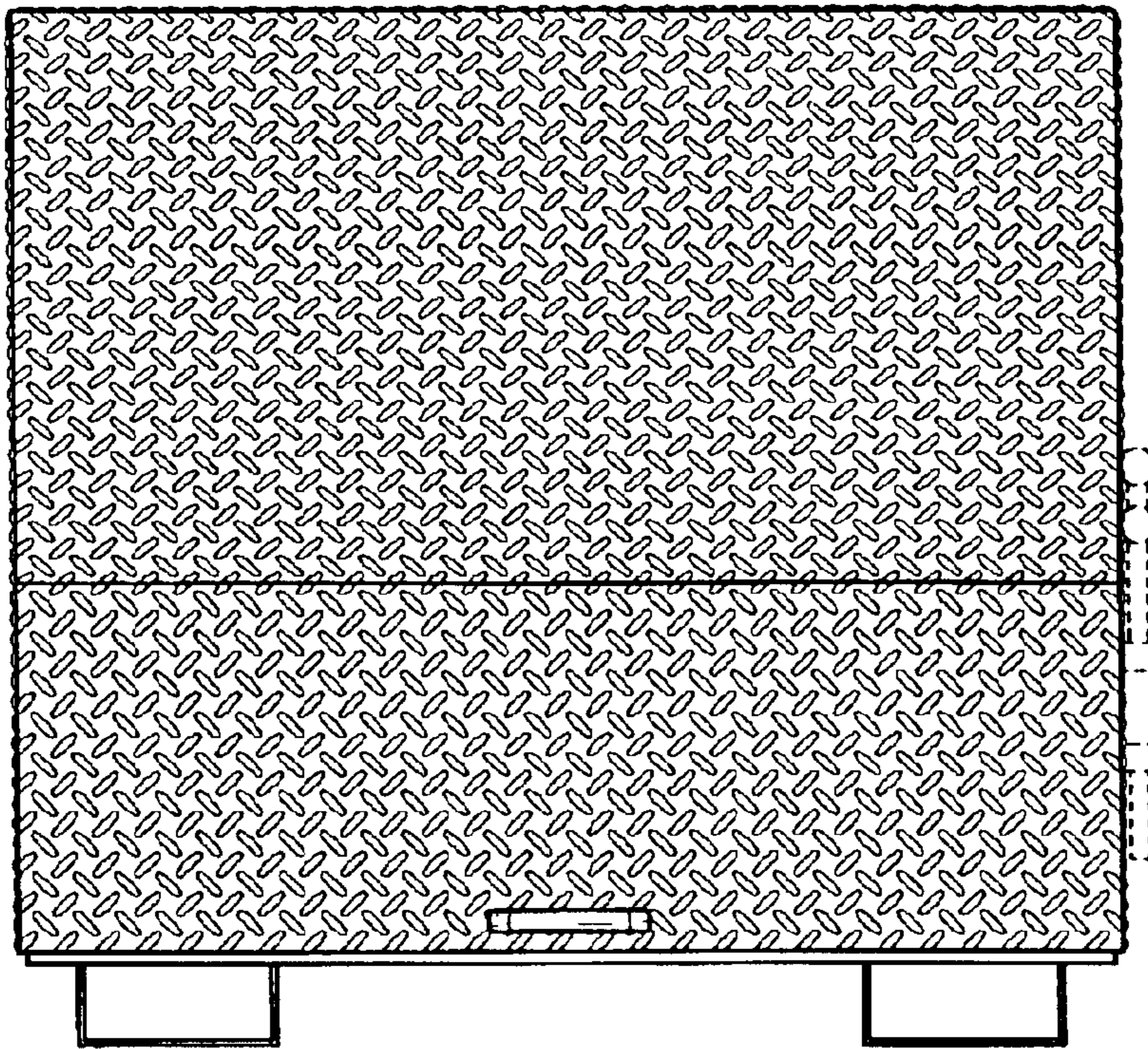


Figure 2

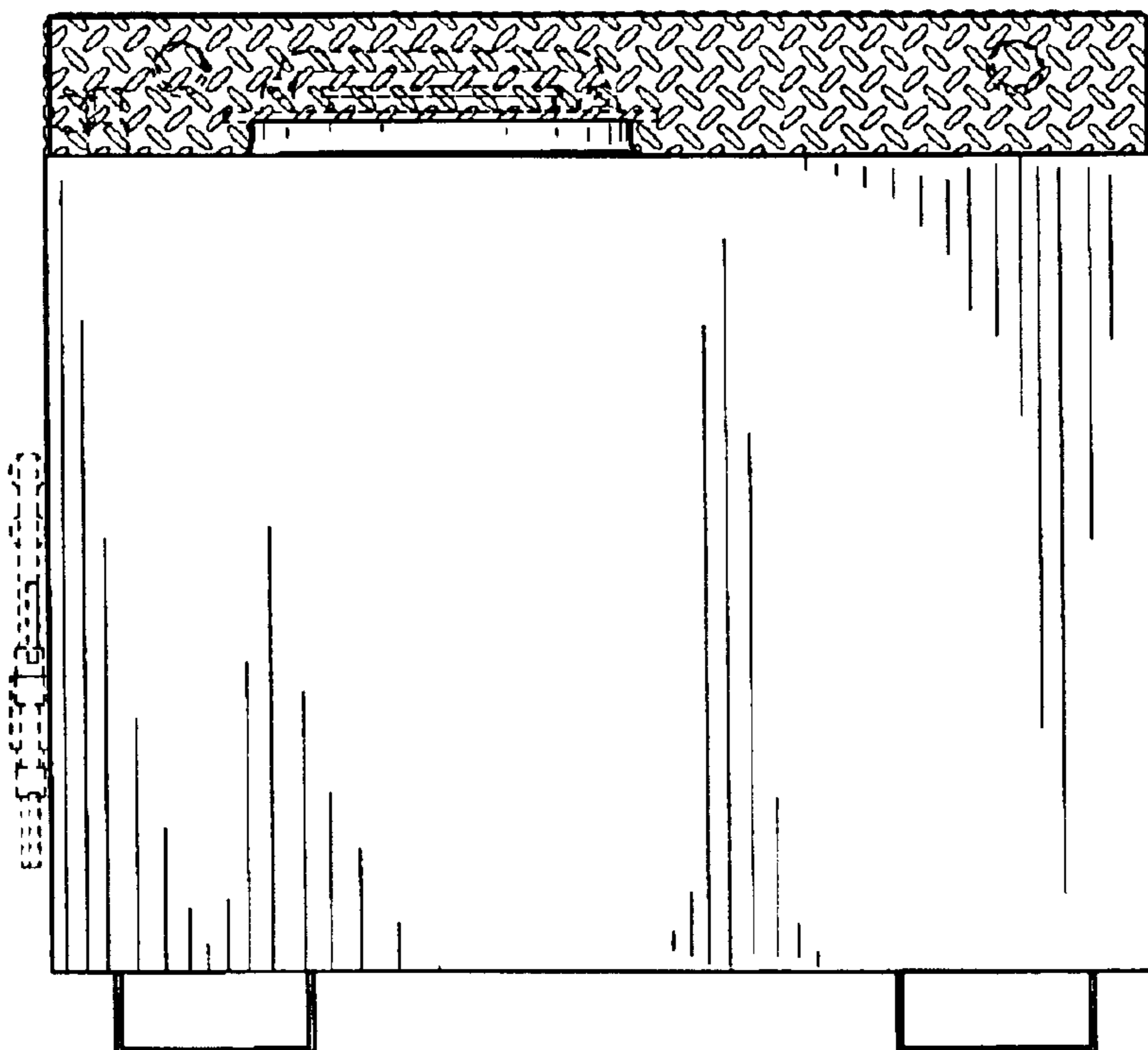


Figure 3

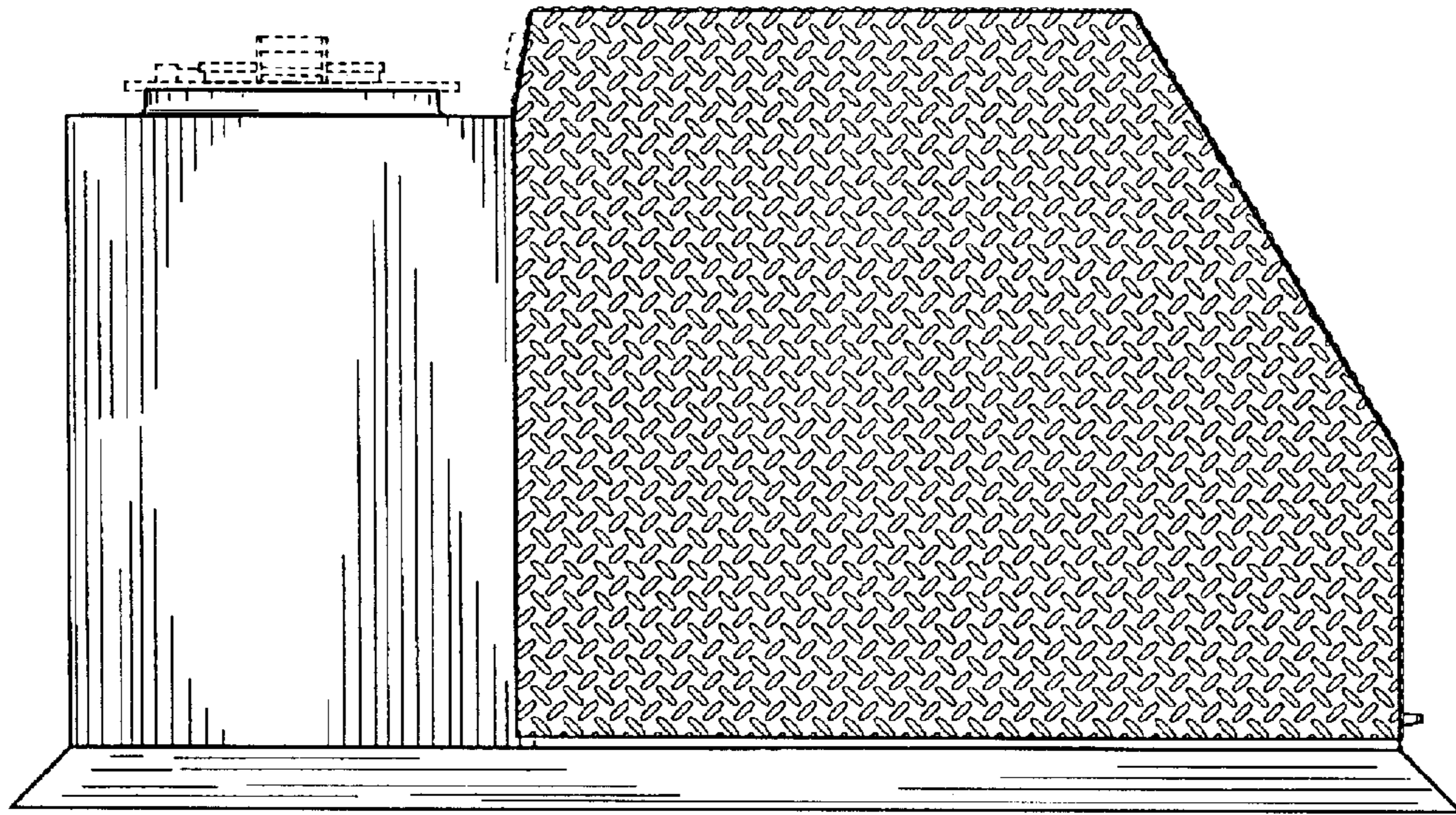


Figure 4

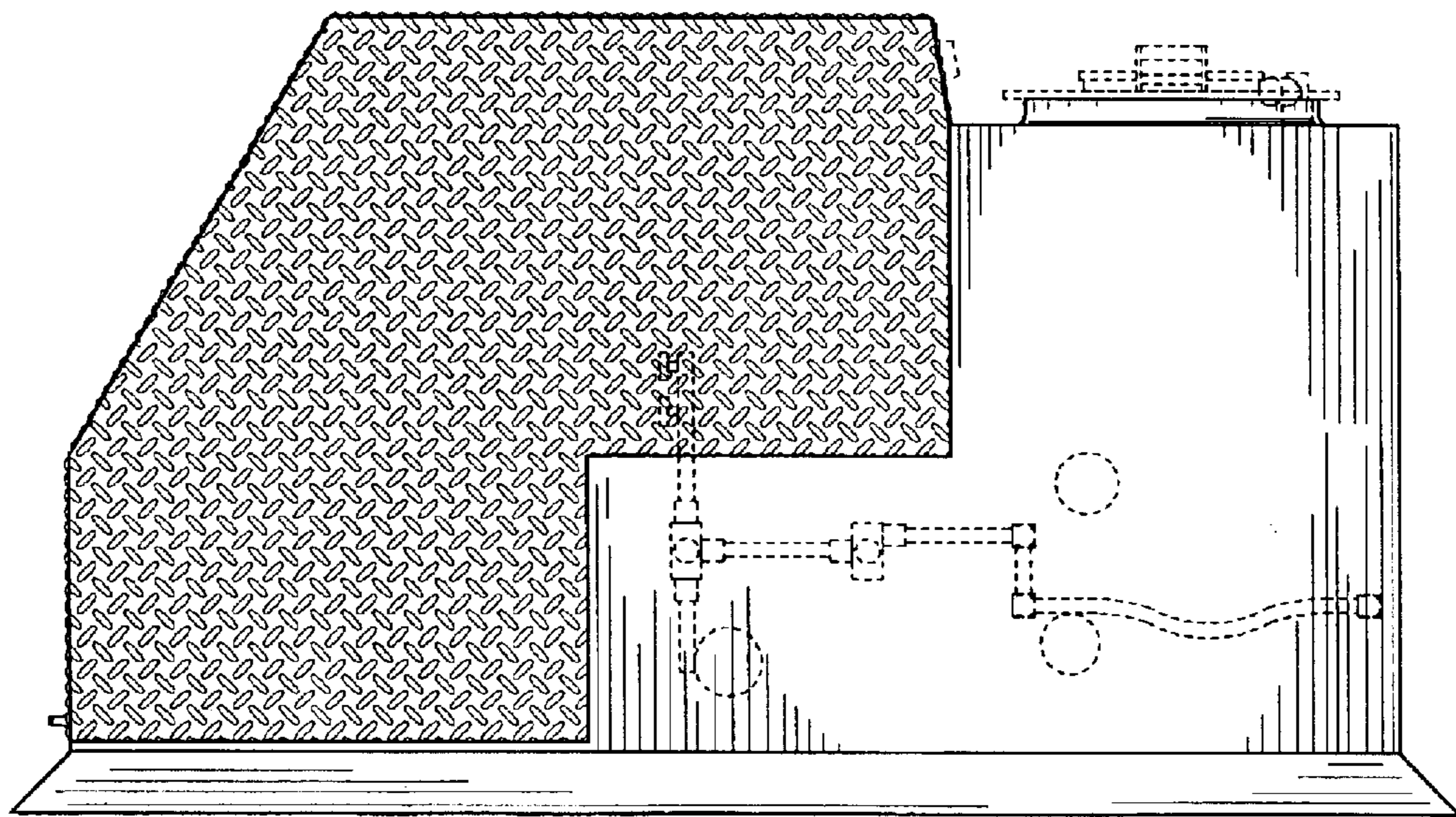


Figure 5

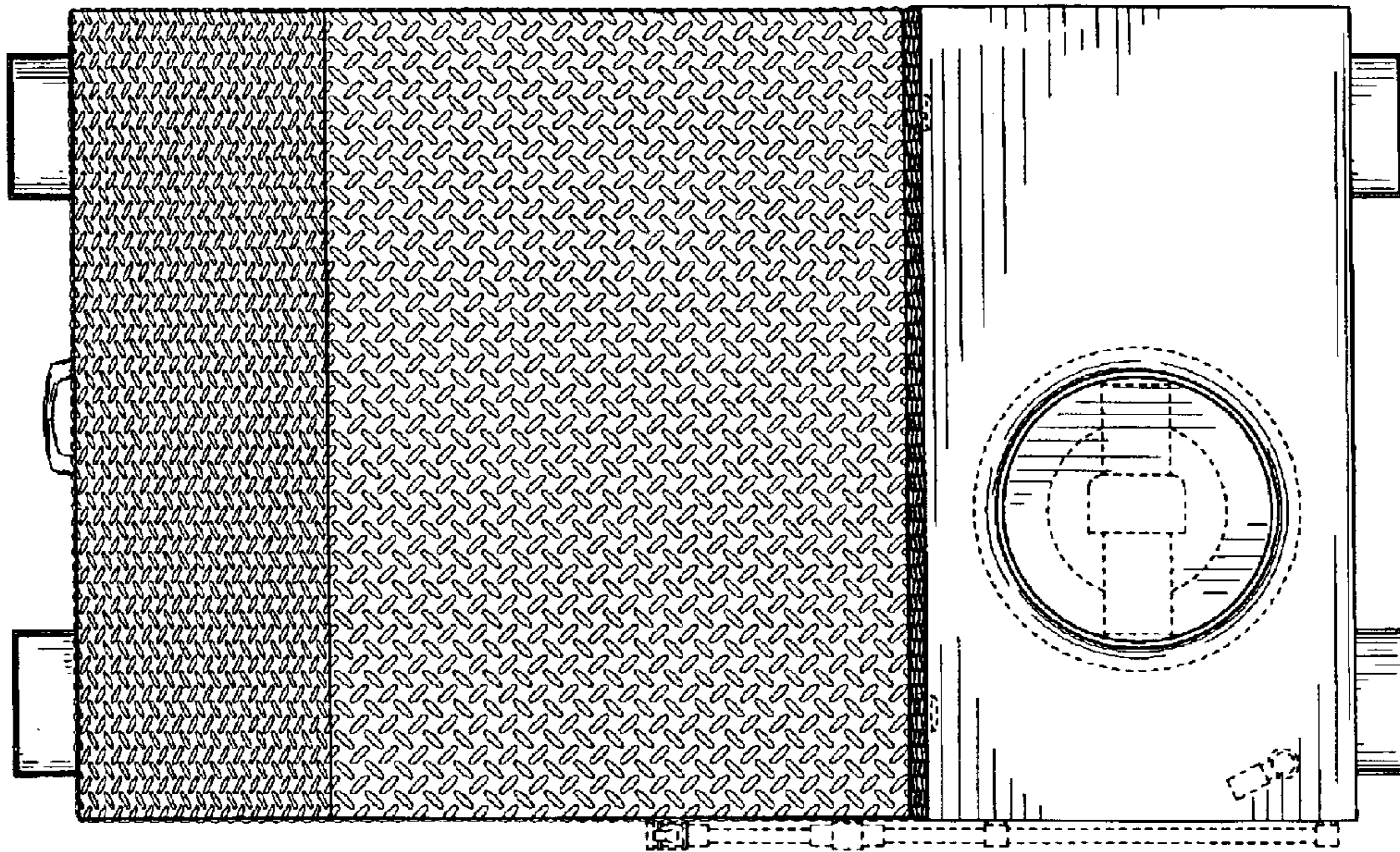


Figure 6

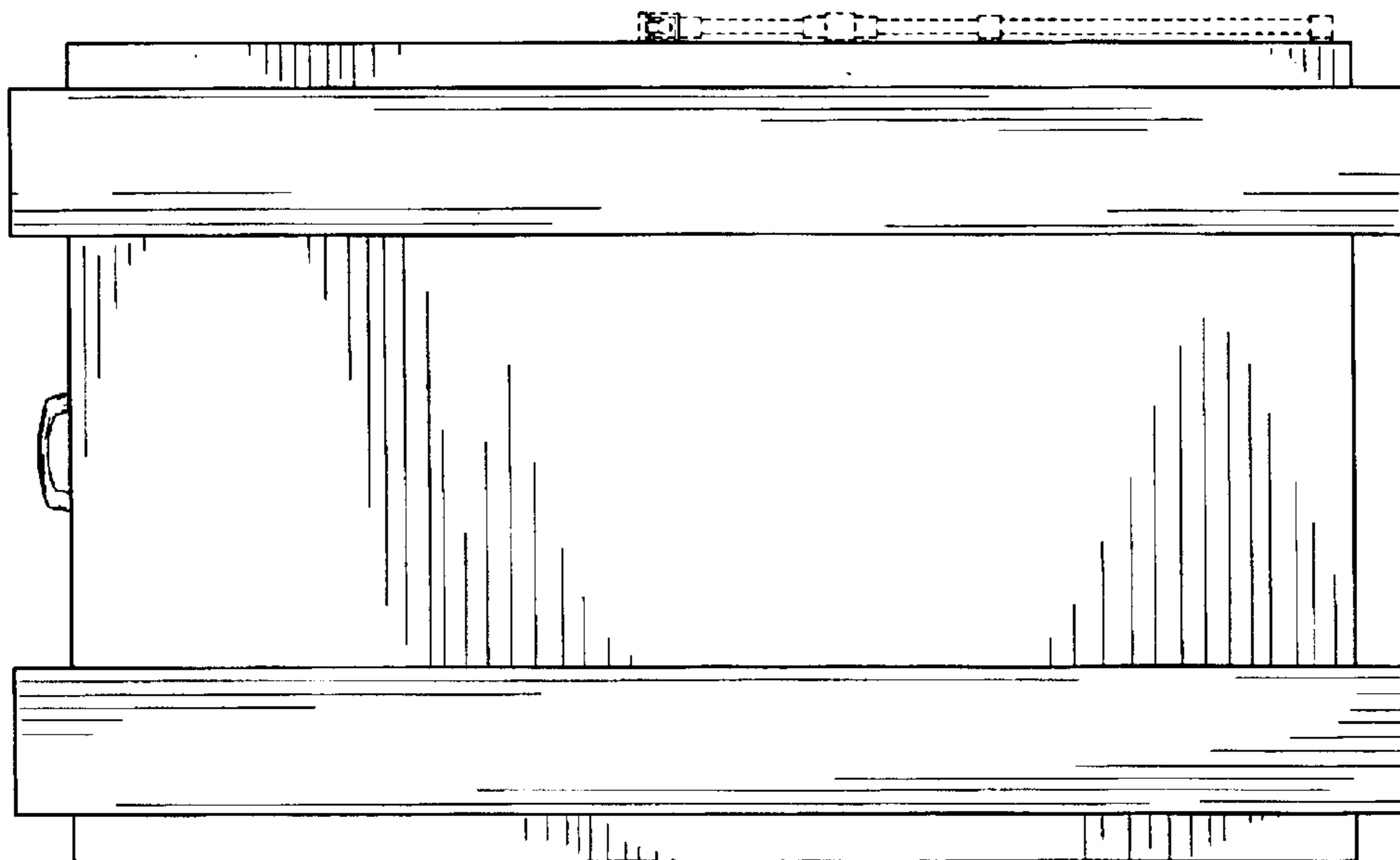


Figure 7