



US00D490018S

(12) **United States Design Patent**
Berg et al.

(10) **Patent No.:** **US D490,018 S**

(45) **Date of Patent:** **** May 18, 2004**

(54) **REAR PORTION OF A SNOWMOBILE**

(74) *Attorney, Agent, or Firm*—Fredrikson & Byron, P.A.

(75) Inventors: **Norman Berg**, Roseau, MN (US);
Robert Aronson, Roseau, MN (US);
Steven Collins, St. Clair, MI (US)

(57) **CLAIM**

We claim the ornamental design for the rear portion of a snowmobile, as shown and described.

(73) Assignee: **Polaris Industries Inc.**, Medina, MN (US)

DESCRIPTION

(**) Term: **14 Years**

FIG. 1 is a side view of the rear portion of a snowmobile of our design shown in its ordinary environment, mounted on a snowmobile;

(21) Appl. No.: **29/174,683**

(22) Filed: **Jan. 22, 2003**

FIG. 2 is a perspective view of the rear portion of a snowmobile of our design taken from the top and the side shown in FIG. 1;

(51) **LOC (7) Cl.** **12-14**

(52) **U.S. Cl.** **D12/7**

(58) **Field of Search** D12/6-7, 9-11;
D21/760, 533, 766-767, 769; 180/182,
184, 186, 190, 193-194; 280/25-28, 16,
21.1, 22, 602, 809, 845

FIG. 3 is a side view thereof, taken from the same side shown in FIG. 1, the opposite side being a mirror image;

FIG. 4 is a front view thereof;

(56) **References Cited**

U.S. PATENT DOCUMENTS

- D228,754 S * 10/1973 Mango D12/7
- 4,418,782 A * 12/1983 Nakazima 180/190
- D278,892 S * 5/1985 Kobayashi D12/7
- 6,491,125 B2 * 12/2002 Girouard et al. 180/190

FIG. 5 is a rear view thereof; and,

FIG. 6 is a top view thereof.

OTHER PUBLICATIONS

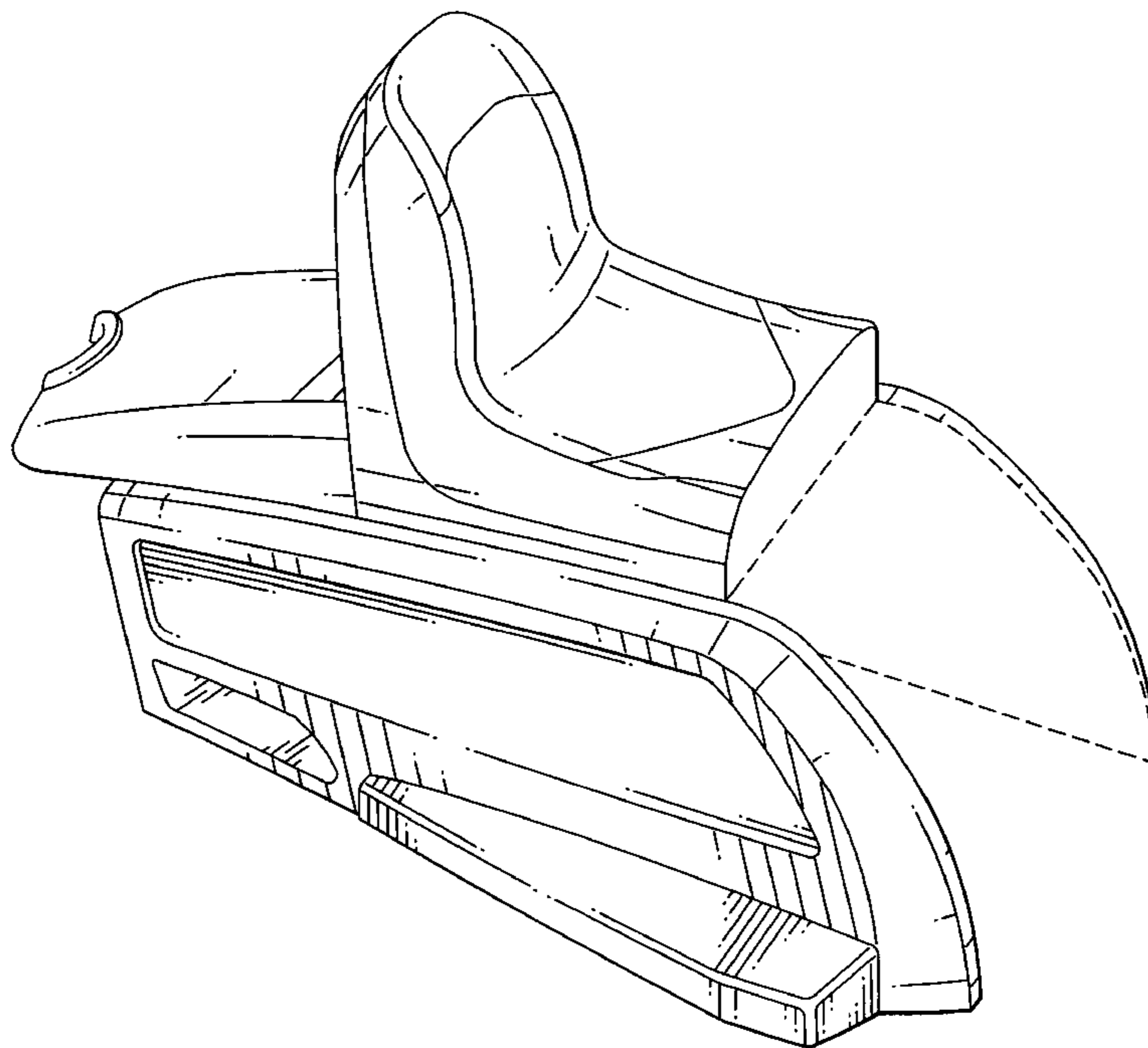
www.ski-doo.com-2003 XTD Seat. Oct. 22, 2002.*

Where included, broken lines showing environment or structure are for illustrative purposes only and form no part of the claimed design. The omission of a bottom view is intended to convey that the element(s) depicted is/are plain and unornamented in that omitted view. The rear portion of a snowmobile in FIG. 1 is shown in a reduced scale.

* cited by examiner

Primary Examiner—Nelson C. Holtje

1 Claim, 6 Drawing Sheets



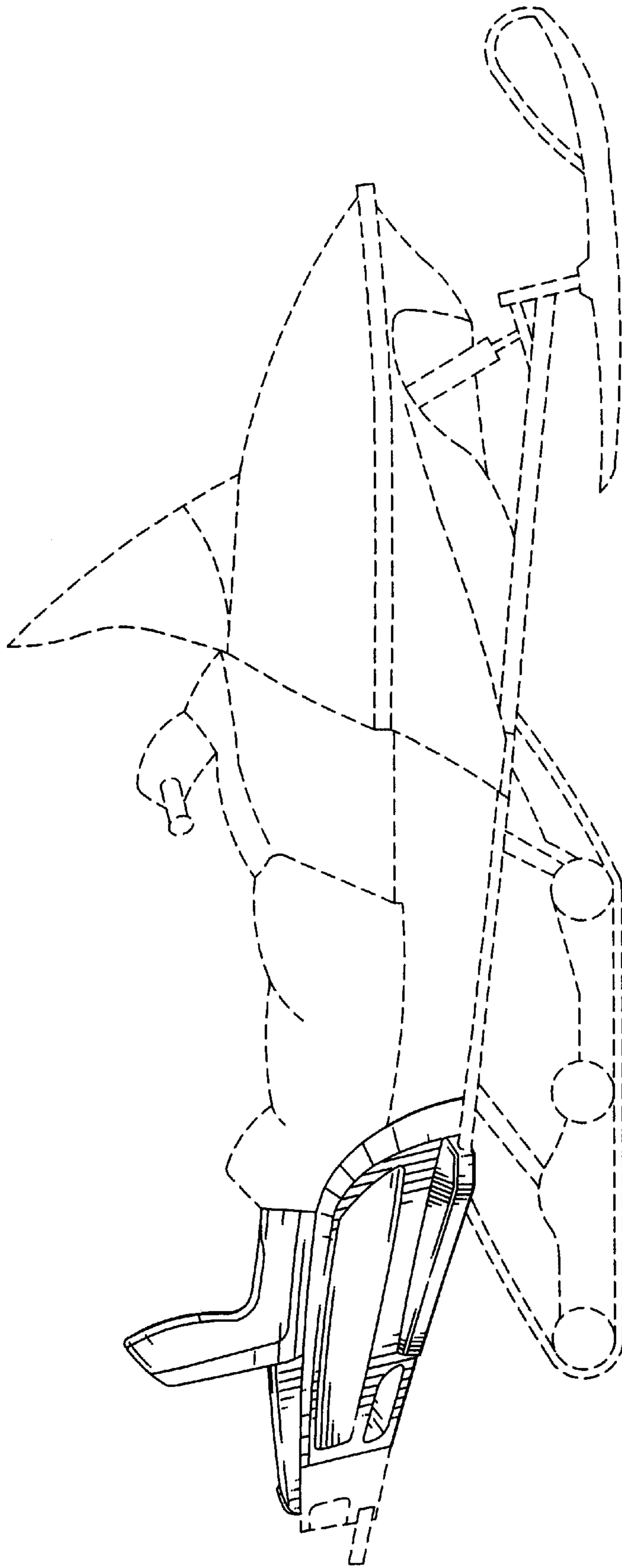


FIG. 1

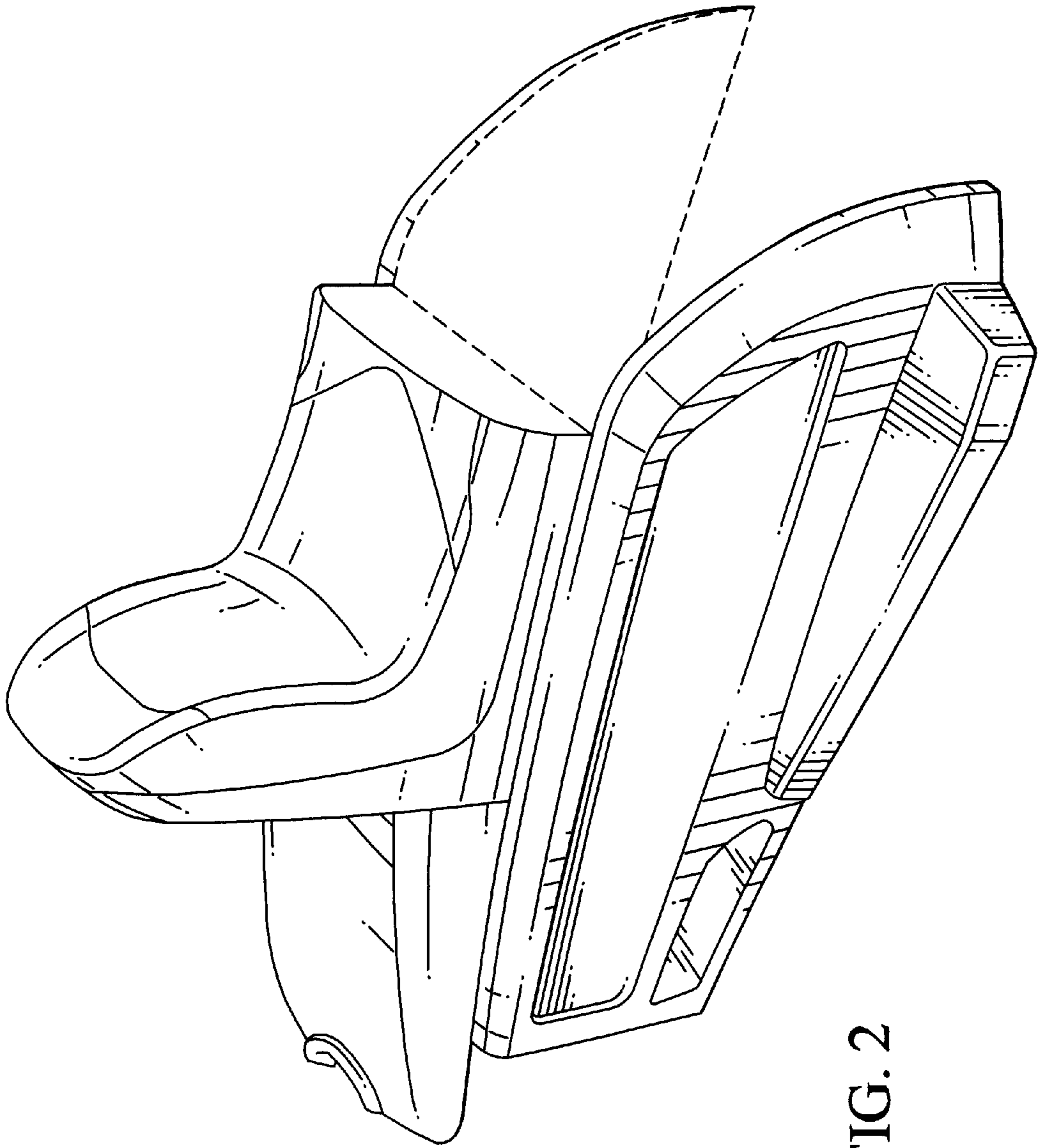


FIG. 2

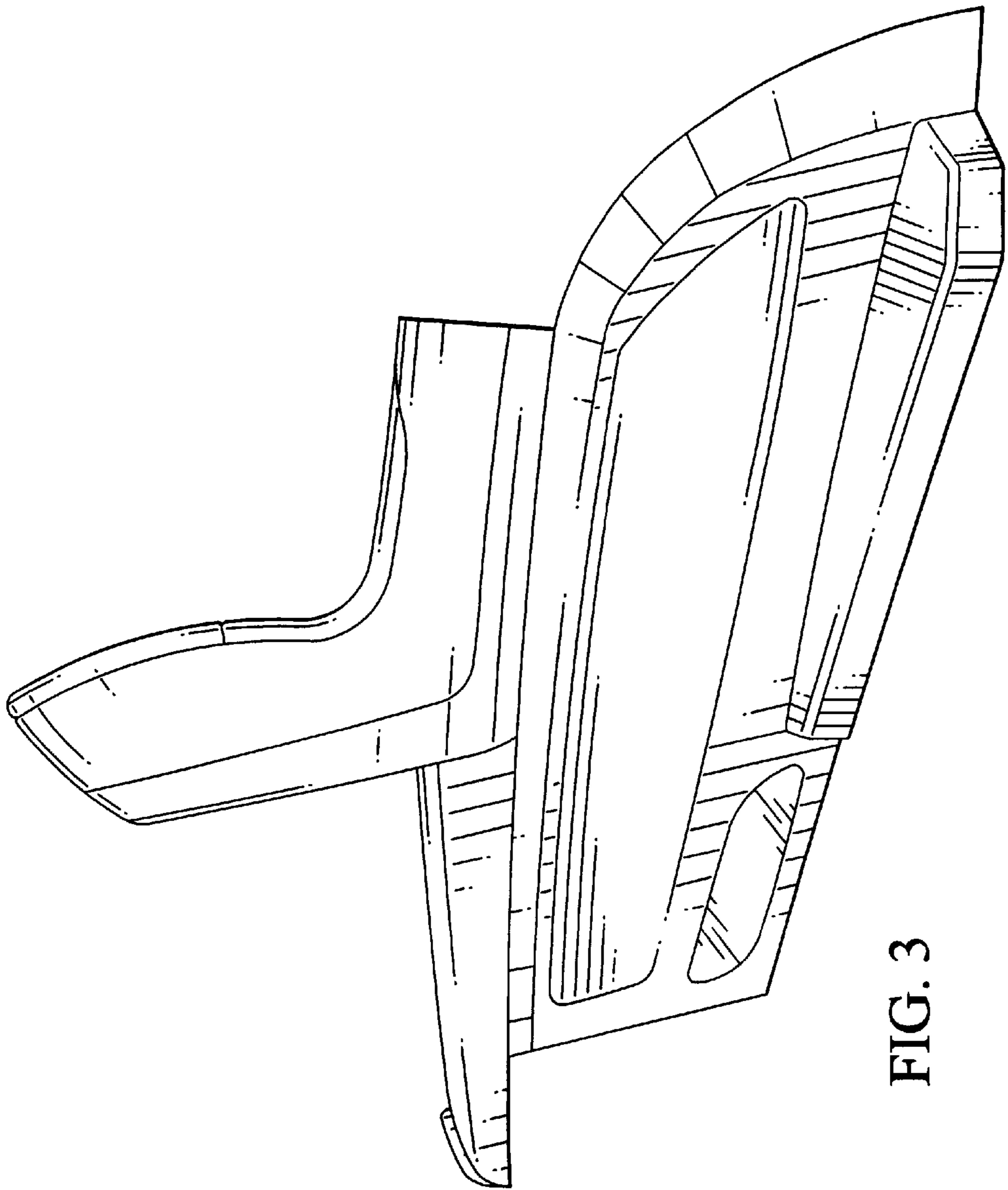


FIG. 3

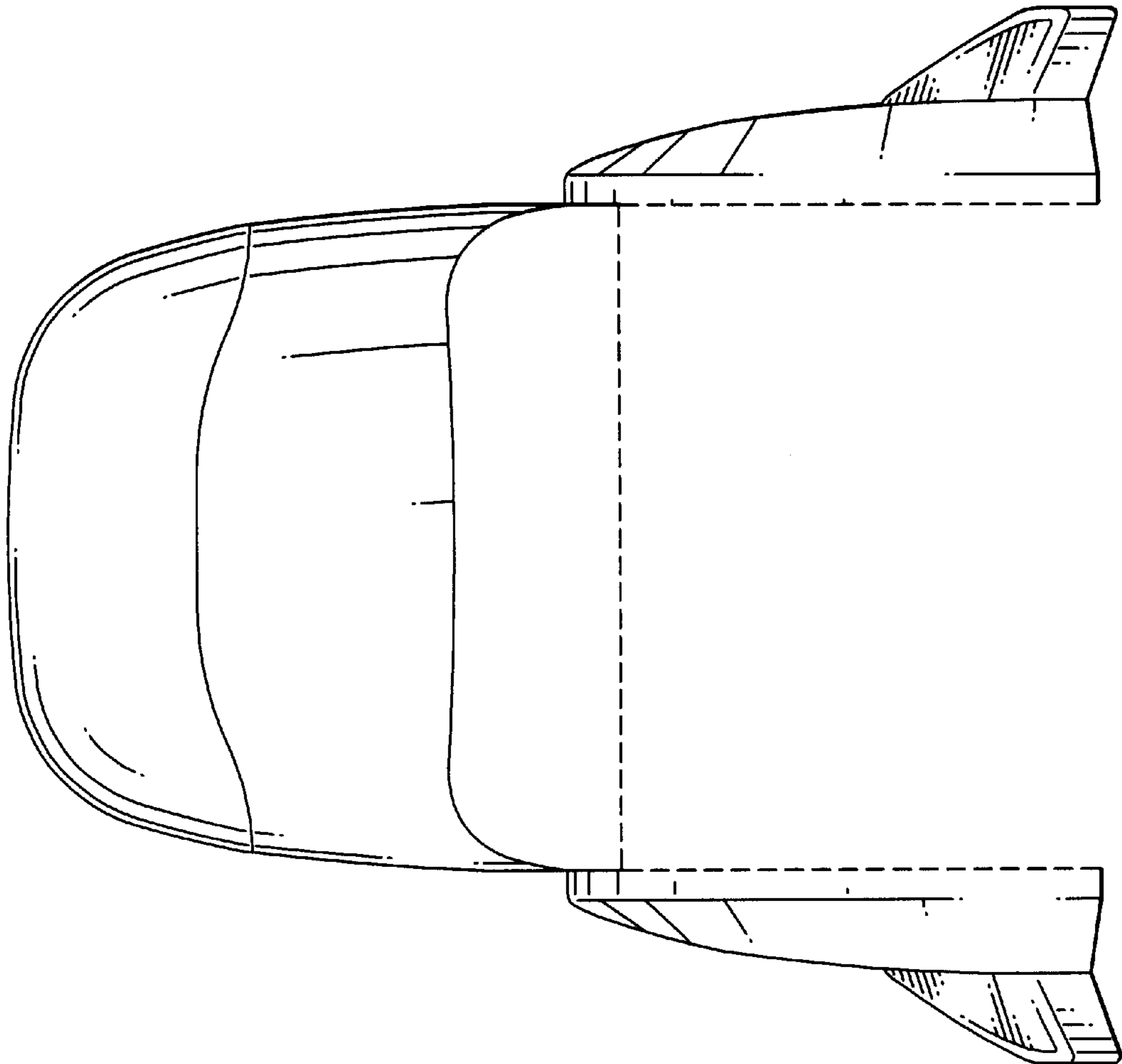


FIG. 4

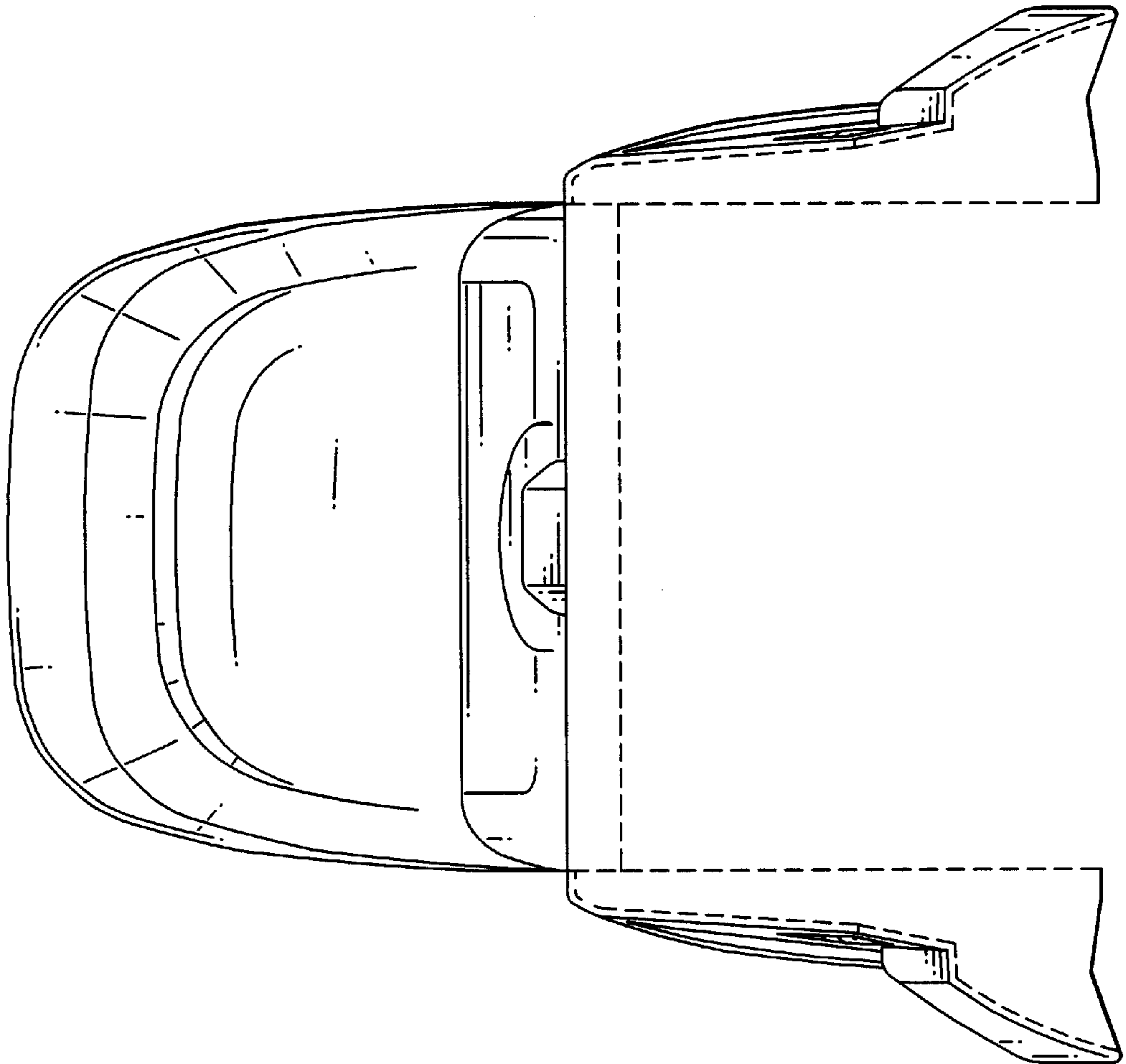


FIG. 5

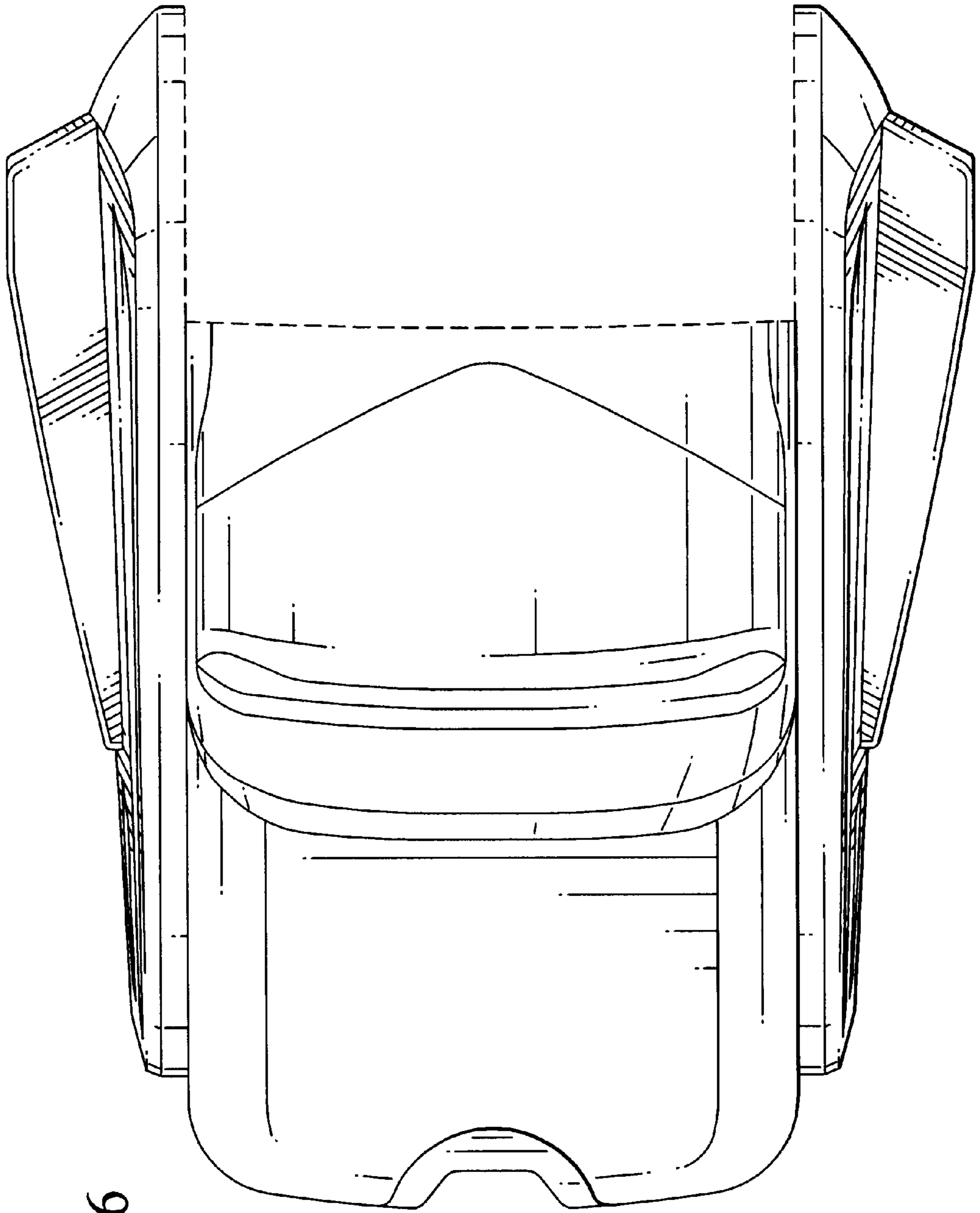


FIG. 6