



US00D490007S

(12) **United States Design Patent** (10) **Patent No.:** **US D490,007 S**
Nagai et al. (45) **Date of Patent:** **** May 18, 2004**

(54) **COMBINED BODY FAT SCALE AND WEIGHT SCALE**

(75) Inventors: **Muneyuki Nagai**, Ibaraki (JP); **Kazuya Takahashi**, Osaka (JP)

(73) Assignee: **Matsushita Electric Industrial Co., Ltd.**, Osaka (JP)

(**) Term: **14 Years**

(21) Appl. No.: **29/182,002**

(22) Filed: **May 19, 2003**

(30) **Foreign Application Priority Data**

Feb. 18, 2003 (JP) 2003-3743

(51) **LOC (7) Cl.** **10-04**

(52) **U.S. Cl.** **D10/92; D10/88**

(58) **Field of Search** **D10/92, 88; 177/236-245, 177/25.13, 211, 177; 600/547**

(56) **References Cited**

U.S. PATENT DOCUMENTS

D220,127 S	*	3/1971	O'Neil	D10/92
D368,669 S	*	4/1996	Classen	D10/92
D444,089 S	*	6/2001	Joss et al.	D10/92
D450,258 S	*	11/2001	Cappiello et al.	D10/92
6,516,221 B1	*	2/2003	Hirouchi et al.	600/547
D476,249 S	*	6/2003	van de Wiel et al.	D10/92
6,608,260 B2	*	8/2003	Montagnino et al.	177/25.11
6,618,616 B2	*	9/2003	Iijima et al.	600/547
6,639,158 B2	*	10/2003	Germanton	177/238

OTHER PUBLICATIONS

Wrestler's World, 2002-2003 issue [online], [retrieved on Dec. 29, 2003] p. 29, scales. Retrieved from the Internet using Google Advance Catalog search of archived catalogs: <URL: catalogs.google.com.*

Copy of Catalog of Body Fat Scale, published by TANITA, Jul. 1999.

Copy of Catalog of Body Fat Scale, published by TANITA, Nov. 2002.

Copy of Catalog of Combined Body Fat Scale and Weight Scale, published by Matsuhita Electric Industrial, Jul. 2002.

* cited by examiner

Primary Examiner—Lucy Lieberman

(74) *Attorney, Agent, or Firm*—Brinks Hofer Gilson & Lione

(57) **CLAIM**

The ornamental design for a combined body fat scale and weight scale, as shown and described.

DESCRIPTION

FIG. 1 is a top perspective view of a combined body fat scale and weight scale of the present invention;

FIG. 2 is a top view thereof;

FIG. 3 is a front elevation thereof;

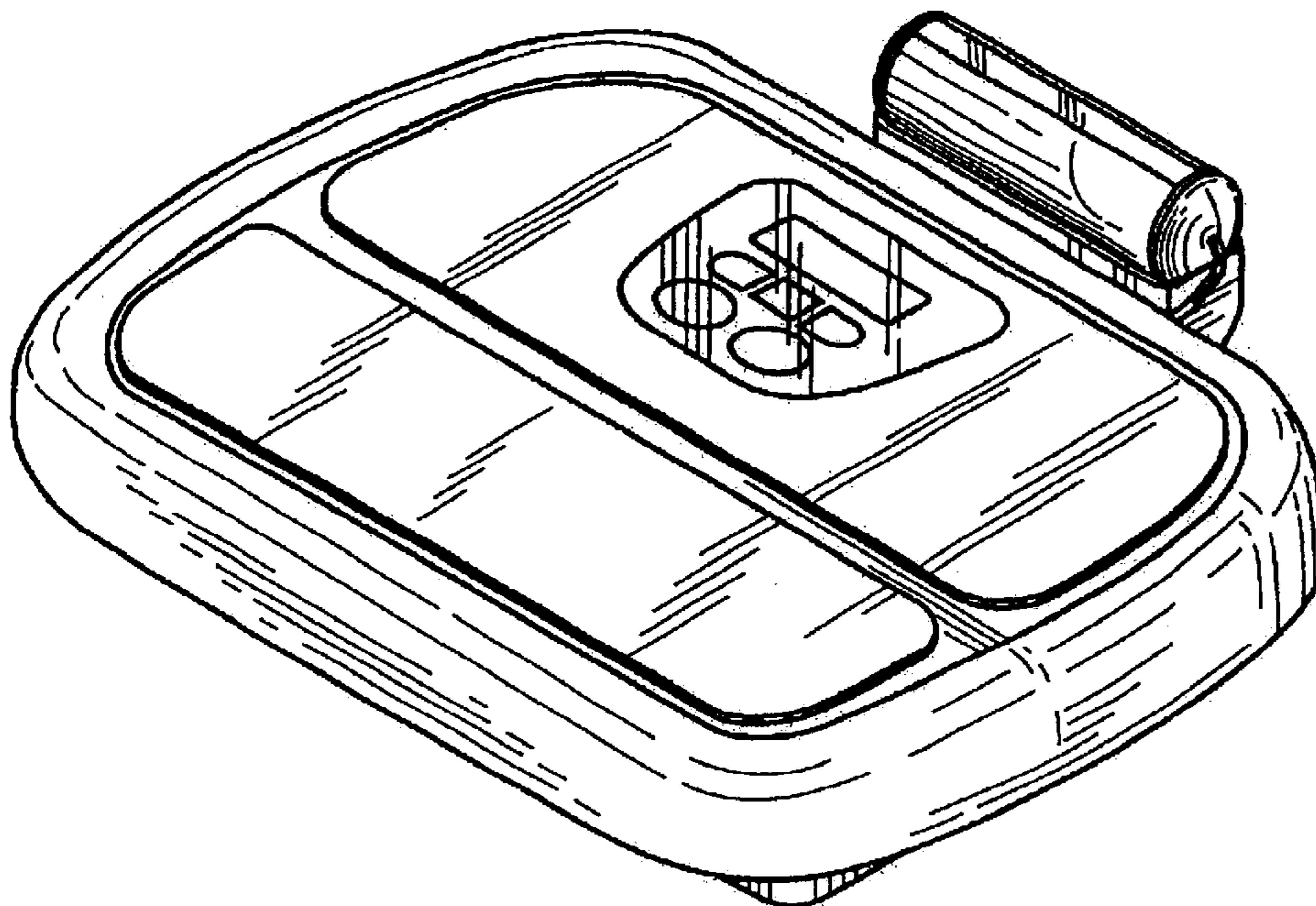
FIG. 4 is a bottom view thereof;

FIG. 5 is a rear elevation thereof;

FIG. 6 is a right side elevation thereof; and,

FIG. 7 is a left side elevation thereof.

1 Claim, 4 Drawing Sheets



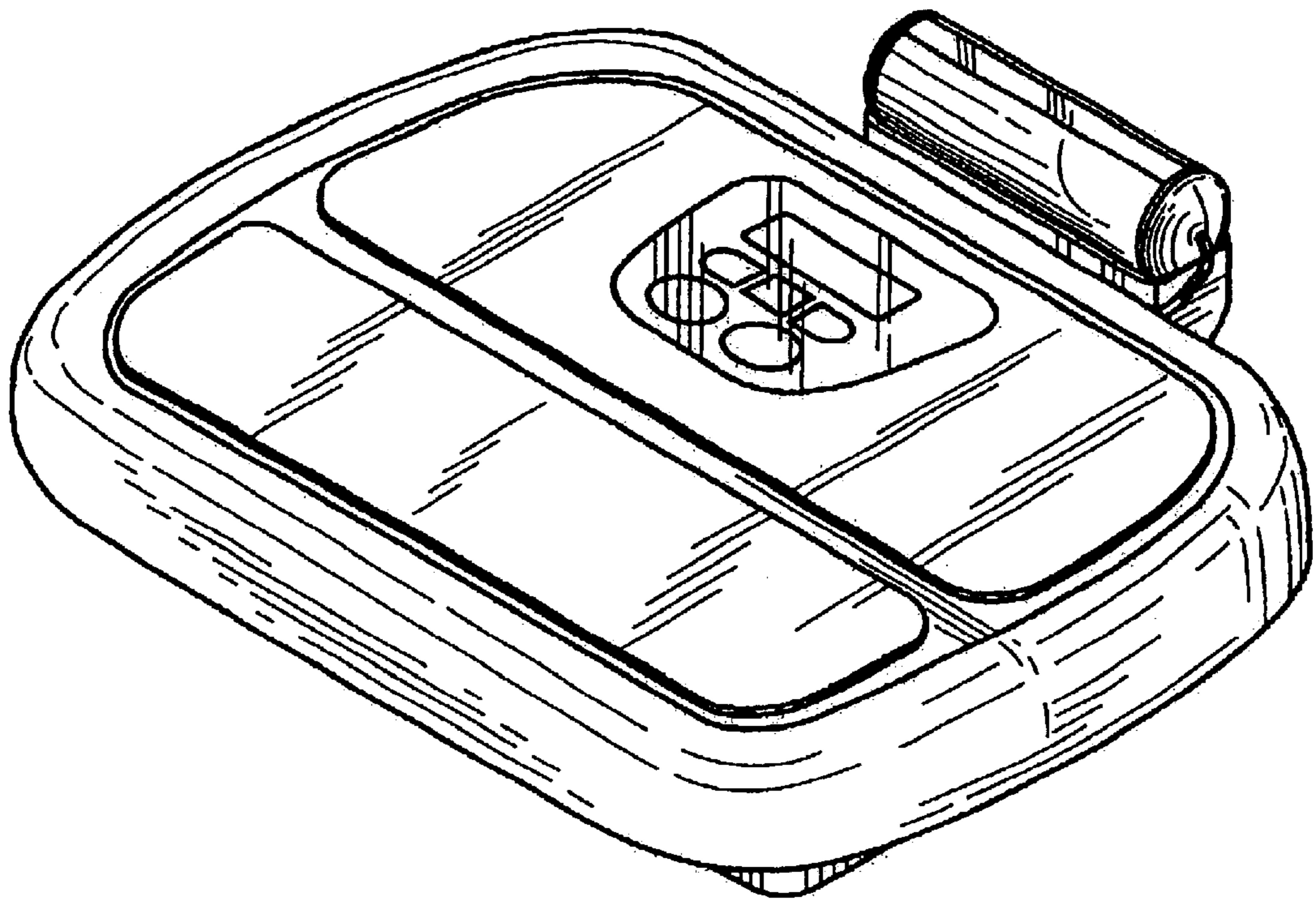


FIG. 1

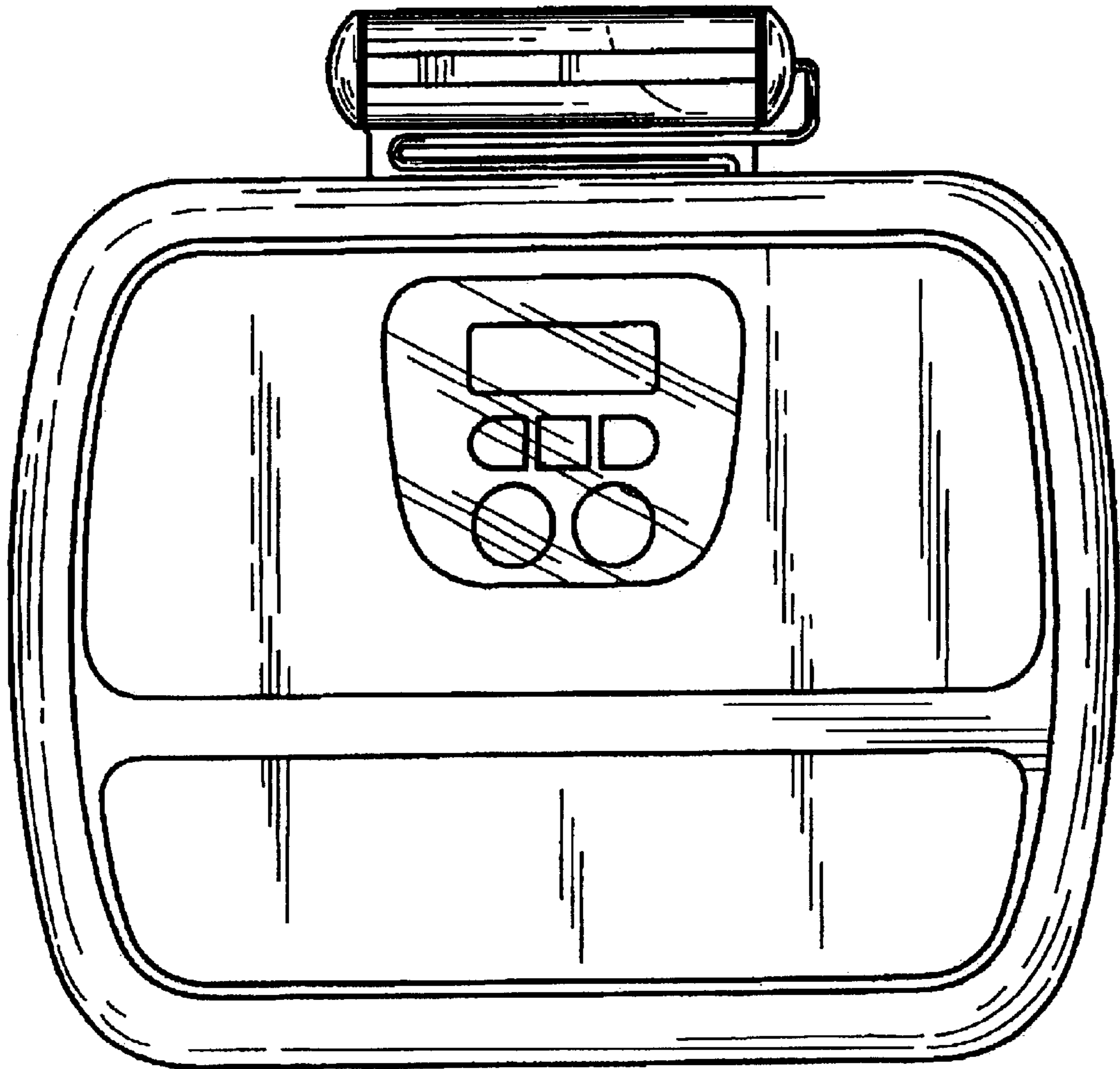


FIG. 2

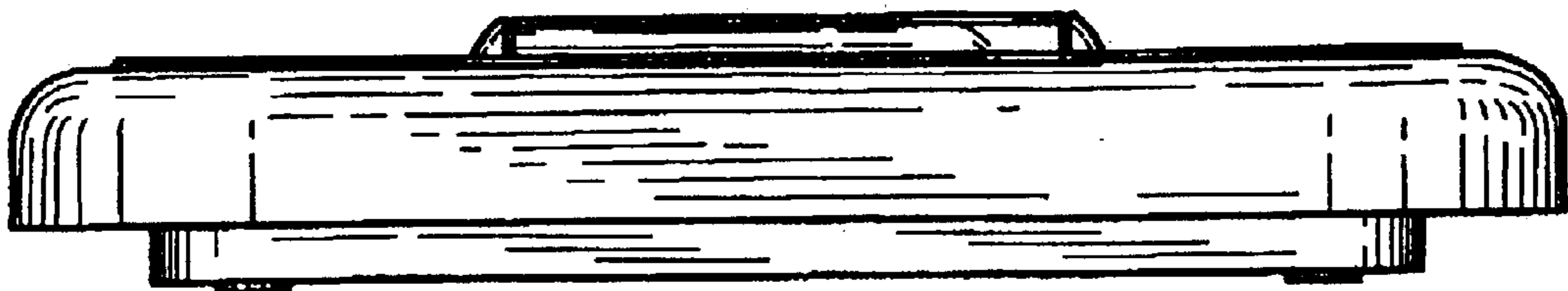


FIG. 3

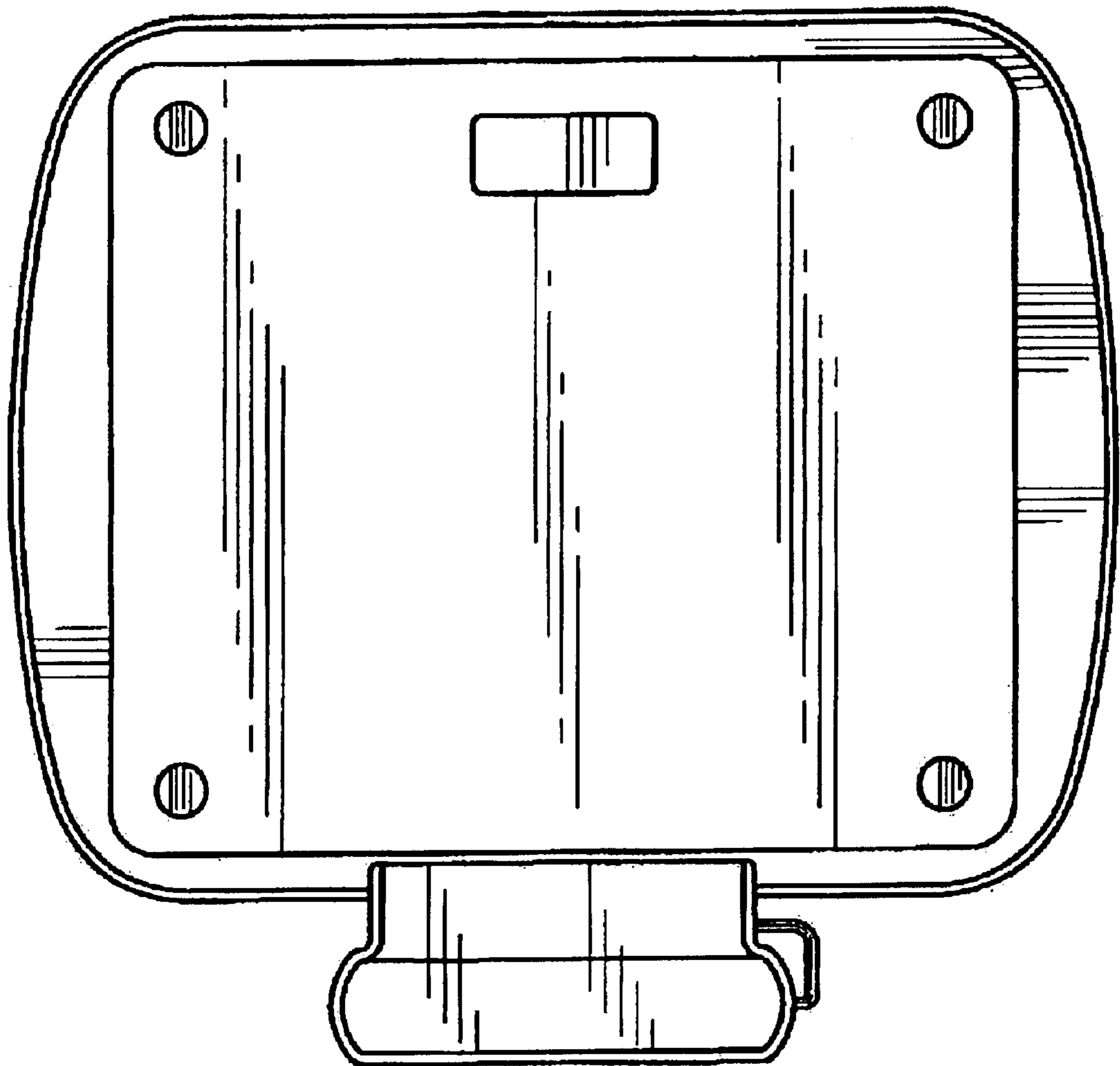


FIG. 4

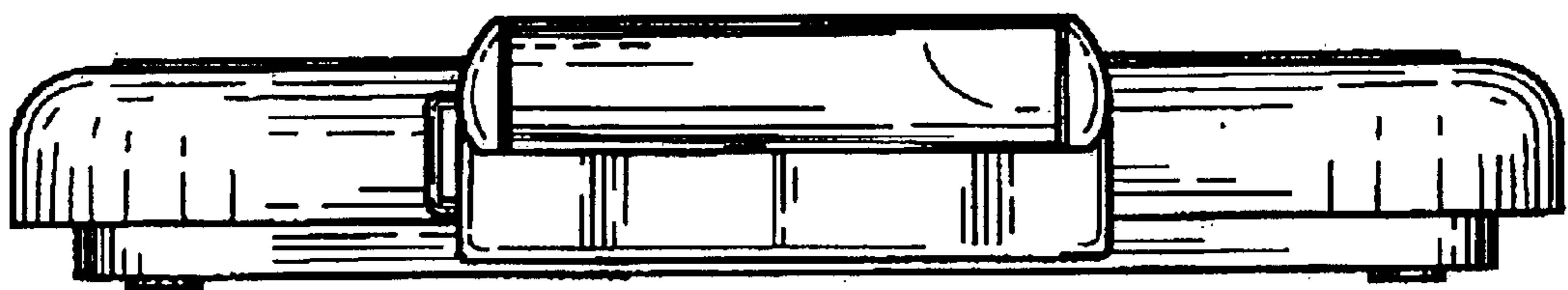


FIG. 5

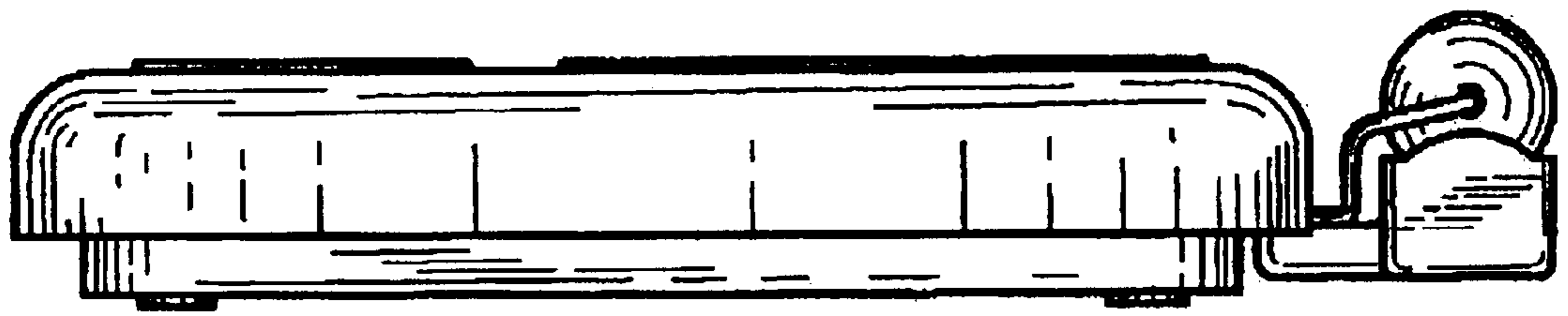


FIG. 6

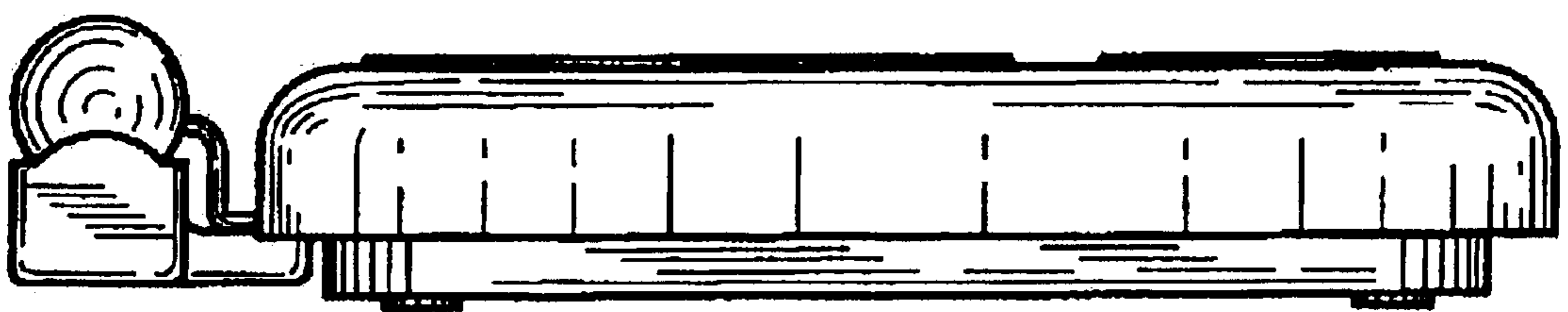


FIG. 7