



US00D490004S

(12) **United States Design Patent**
Koshino

(10) **Patent No.:** **US D490,004 S**

(45) **Date of Patent:** **** May 18, 2004**

(54) **ANGLE METER FOR ORTHOTIC
OSTEOTOMY**

D402,214 S * 12/1998 Logwood D10/65

* cited by examiner

(76) **Inventor:** **Tomihisa Koshino**, 28-12,
Maruyamadai 2-chome, Konan-ku,
Yokohama-shi, Kanagawa-ken (JP)

Primary Examiner—Antoine Duval Davis
(74) *Attorney, Agent, or Firm*—Sughrue Mion, PLLC

(**) **Term:** **14 Years**

(57) **CLAIM**

The ornamental design for an angle meter for orthotic osteotomy, as shown and described.

(21) **Appl. No.:** **29/179,362**

(22) **Filed:** **Apr. 10, 2003**

DESCRIPTION

(30) **Foreign Application Priority Data**

Oct. 22, 2002 (JP) 2002-028654

FIG. 1 is a perspective view of the bottom, front and left side elevational view of an angle meter for orthotic osteotomy showing my new design;

(51) **LOC (7) Cl.** **10-04**

FIG. 2 is a front elevational view thereof;

(52) **U.S. Cl.** **D10/65**

FIG. 3 is a top plan view thereof;

(58) **Field of Search** D10/65; 33/511,
33/512, 534-538, 465

FIG. 4 is a bottom plan view thereof;

FIG. 5 is a left side elevational view thereof;

FIG. 6 is a right side elevational view thereof;

FIG. 7 is a rear elevational view thereof;

FIG. 8 is a front elevational view set at 10 degrees; and,

FIG. 9 is a reference view showing use of the angle meter.

(56) **References Cited**

U.S. PATENT DOCUMENTS

5,102,391 A * 4/1992 Palestrant 604/116

5,484,447 A * 1/1996 Waldock et al. 606/107

1 Claim, 9 Drawing Sheets

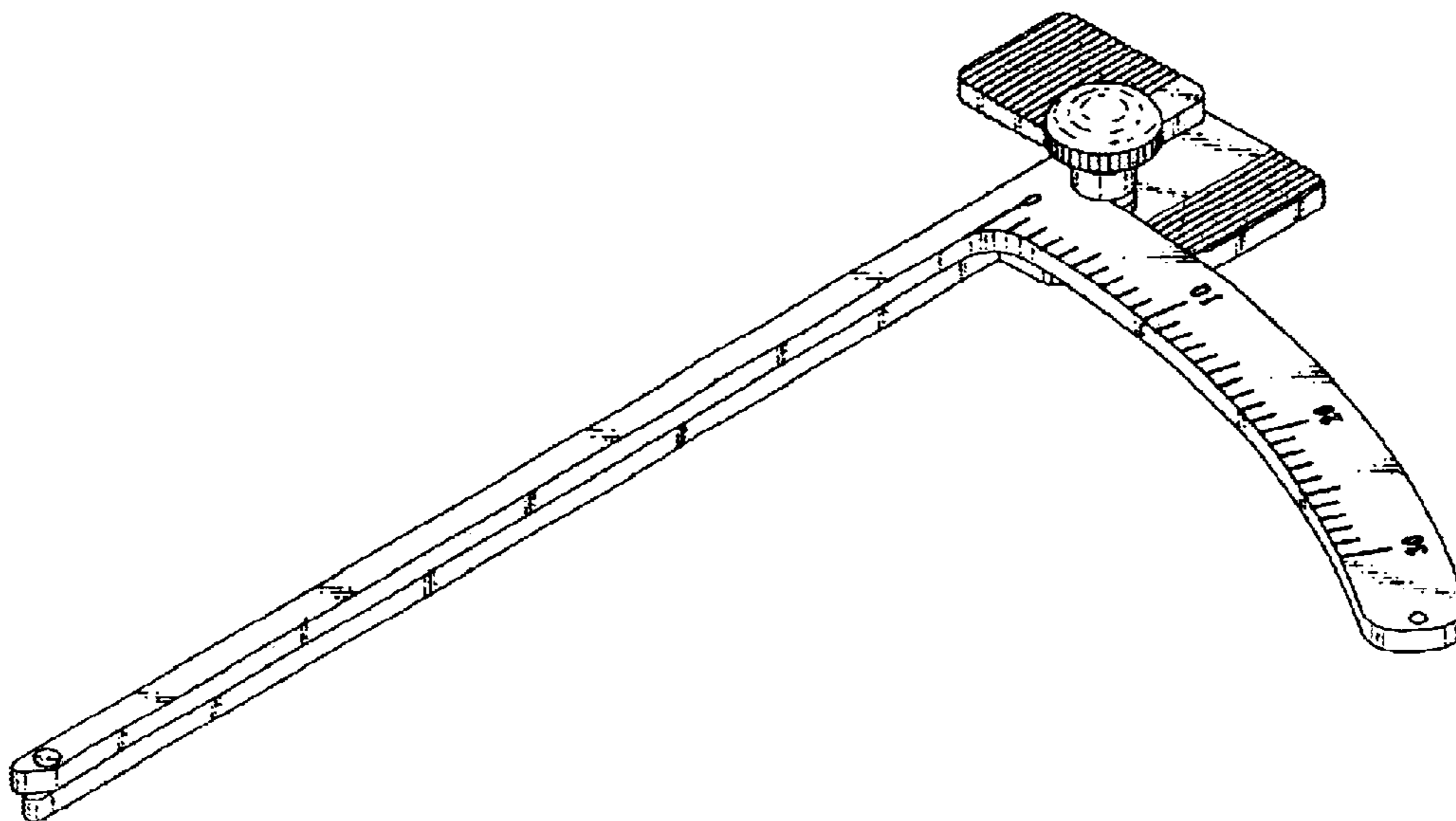


FIG. 1

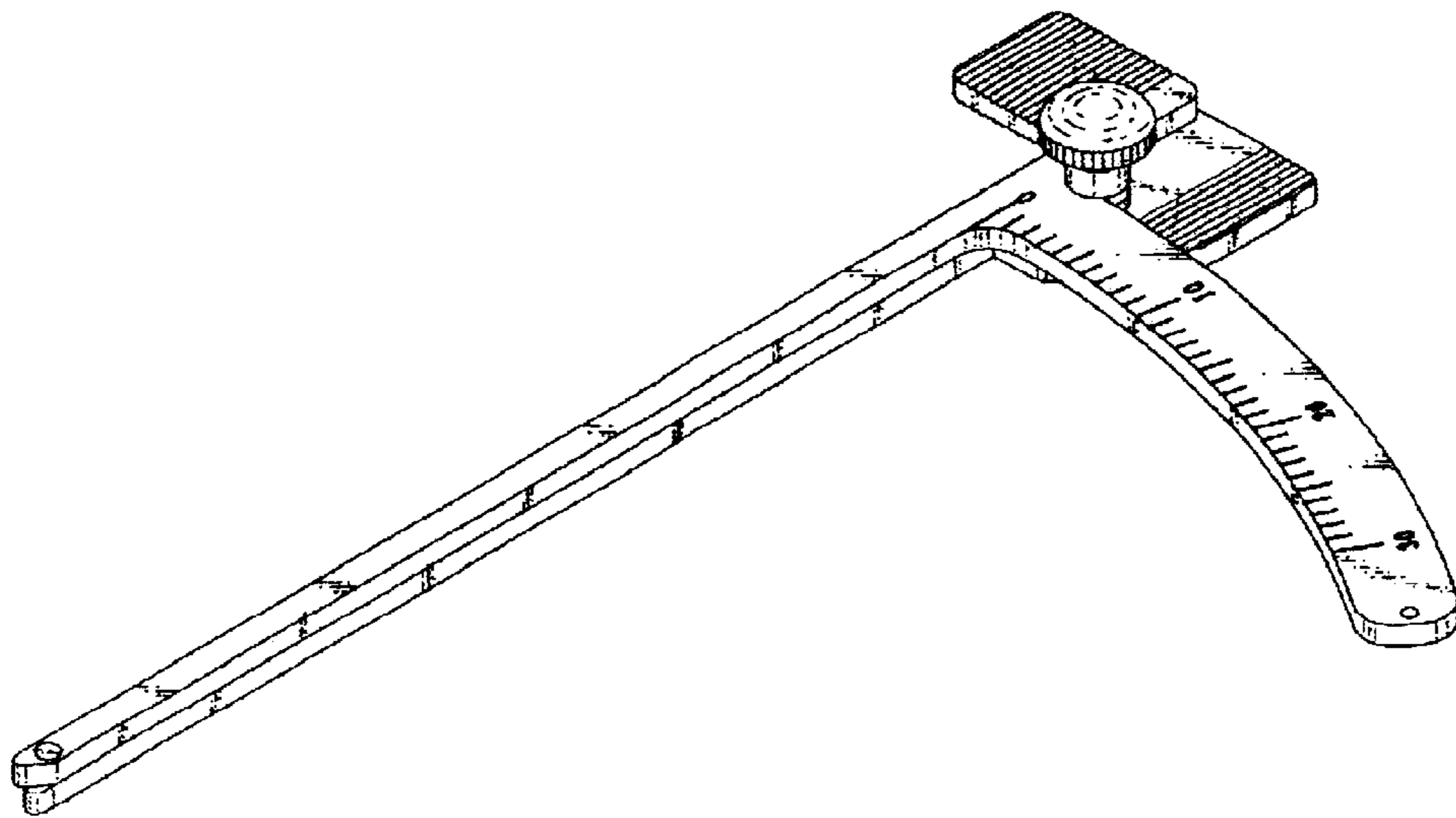


FIG. 2

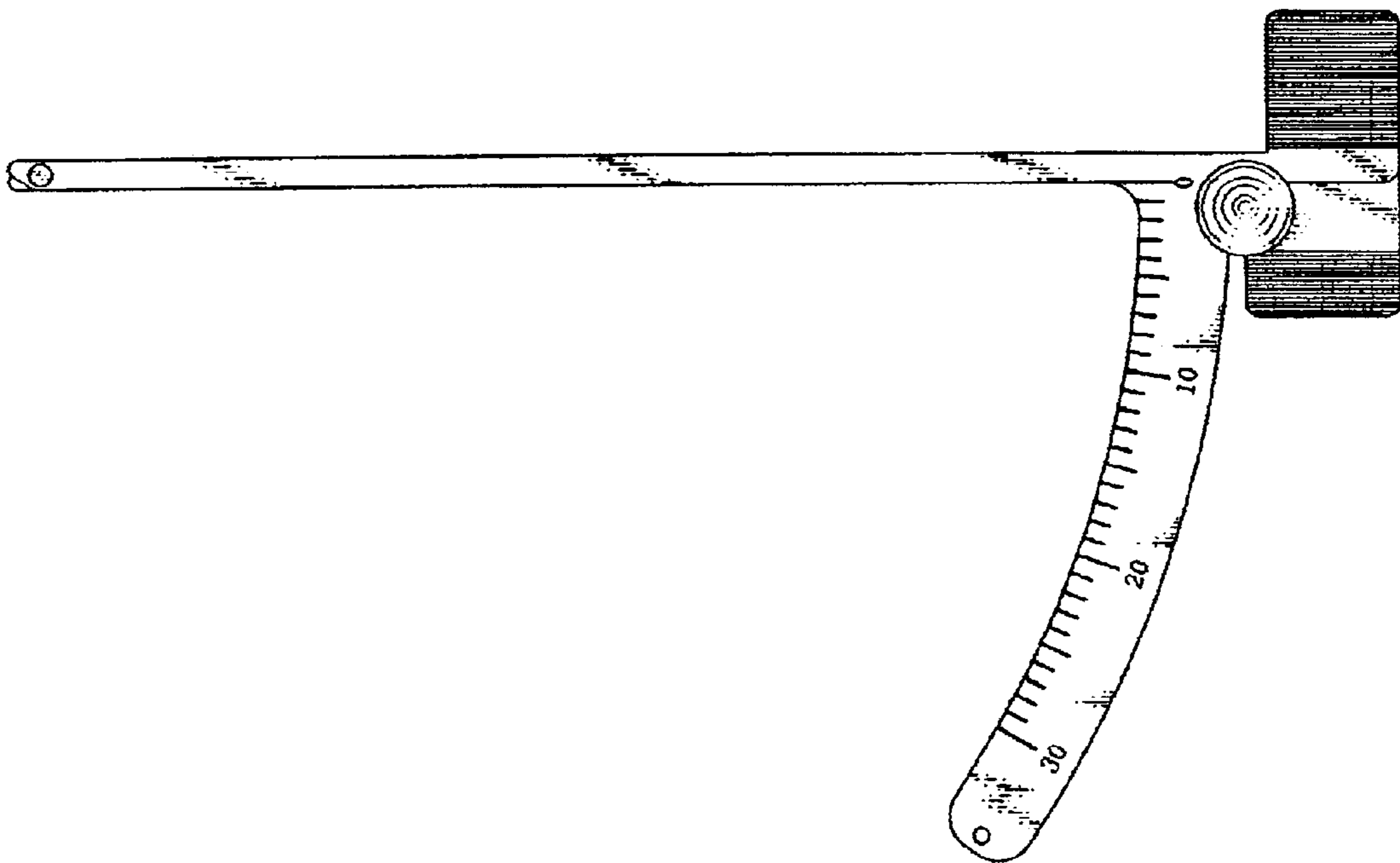


FIG. 3

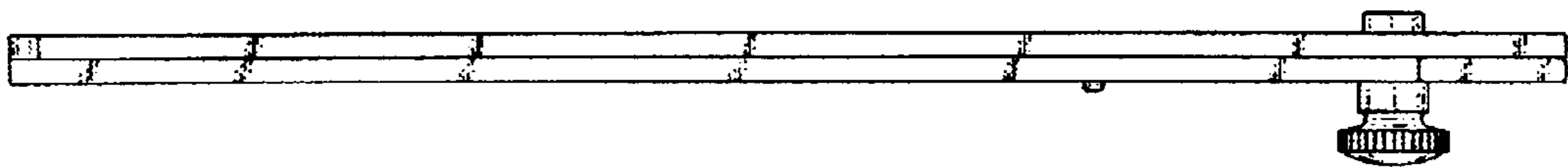


FIG. 4

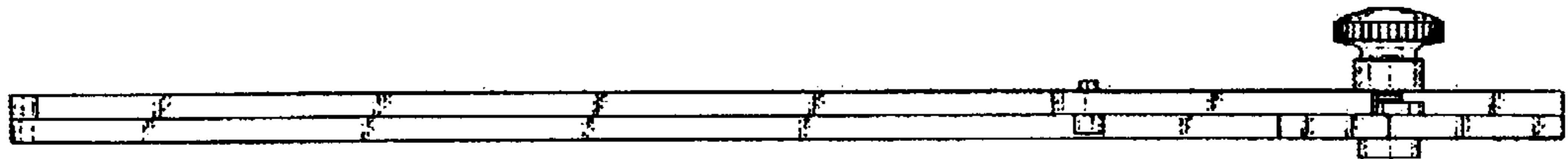


FIG. 5

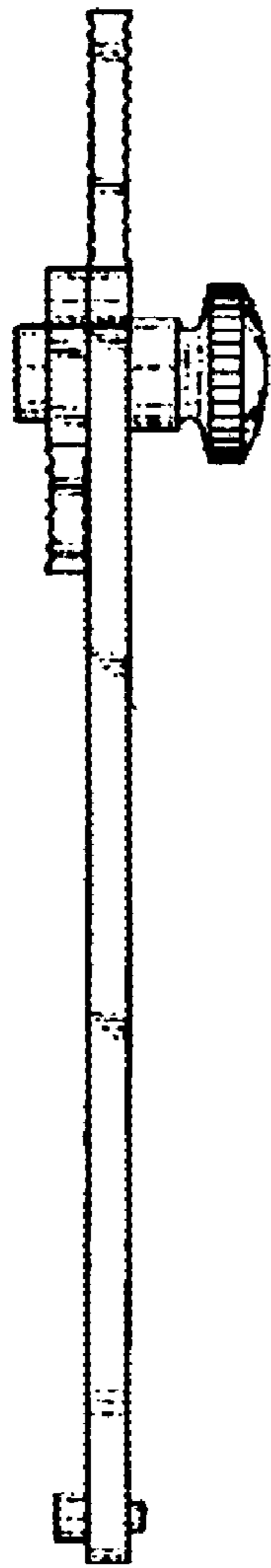


FIG. 6

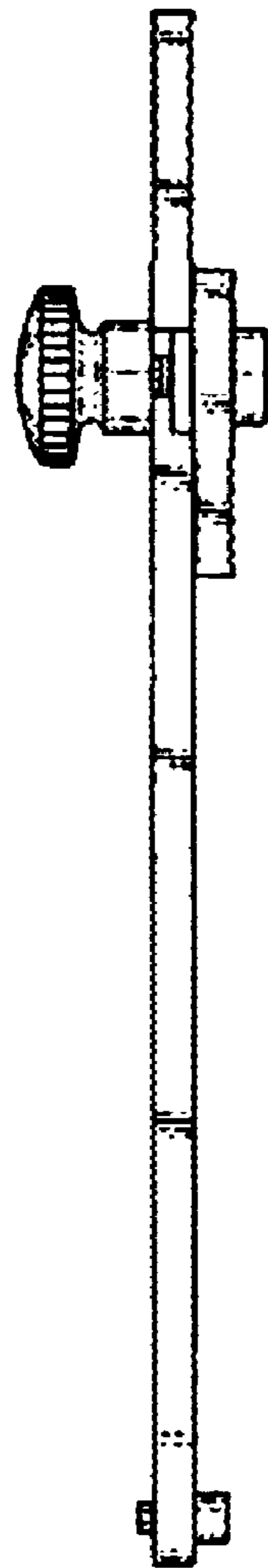


FIG. 7

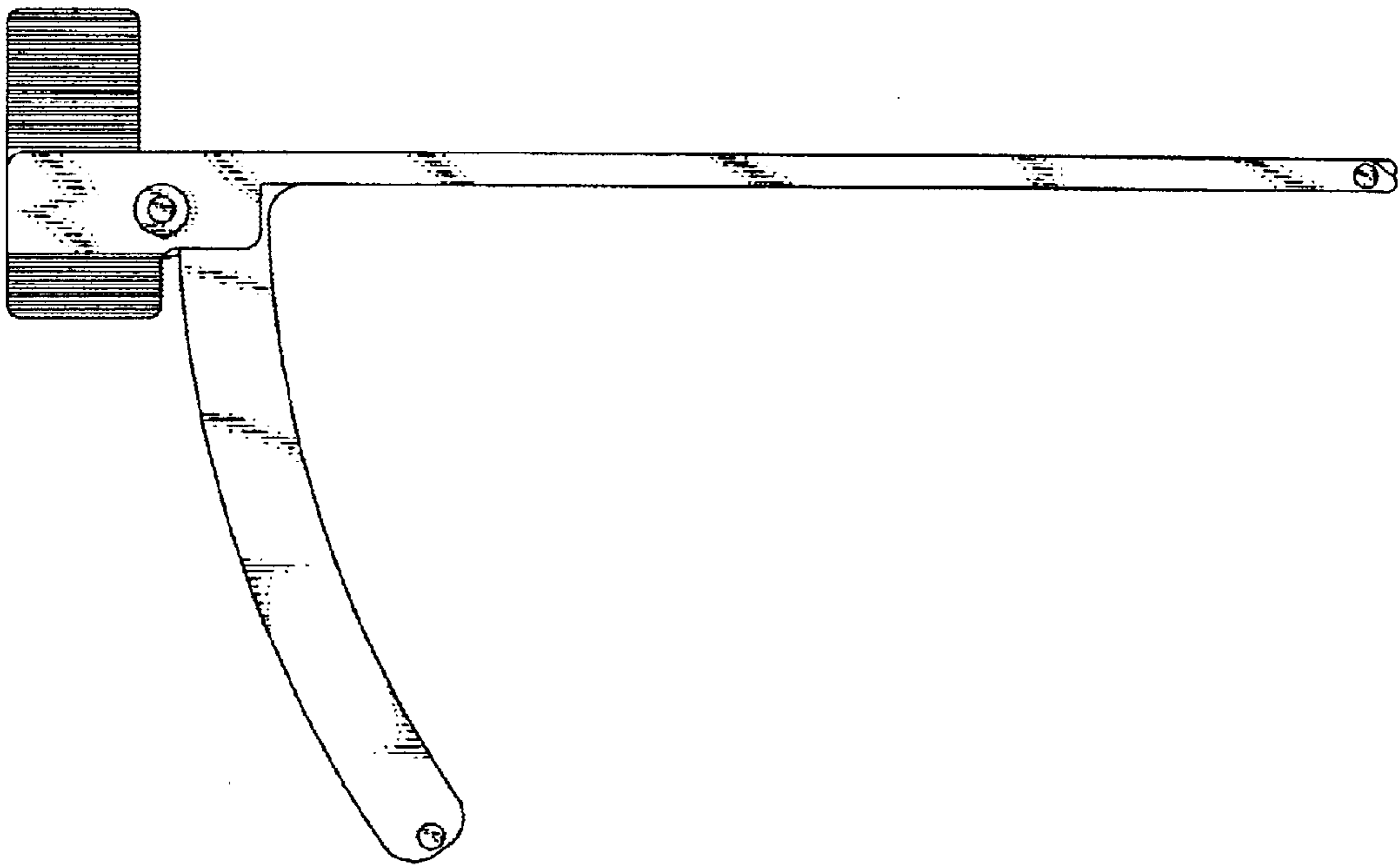


FIG. 8

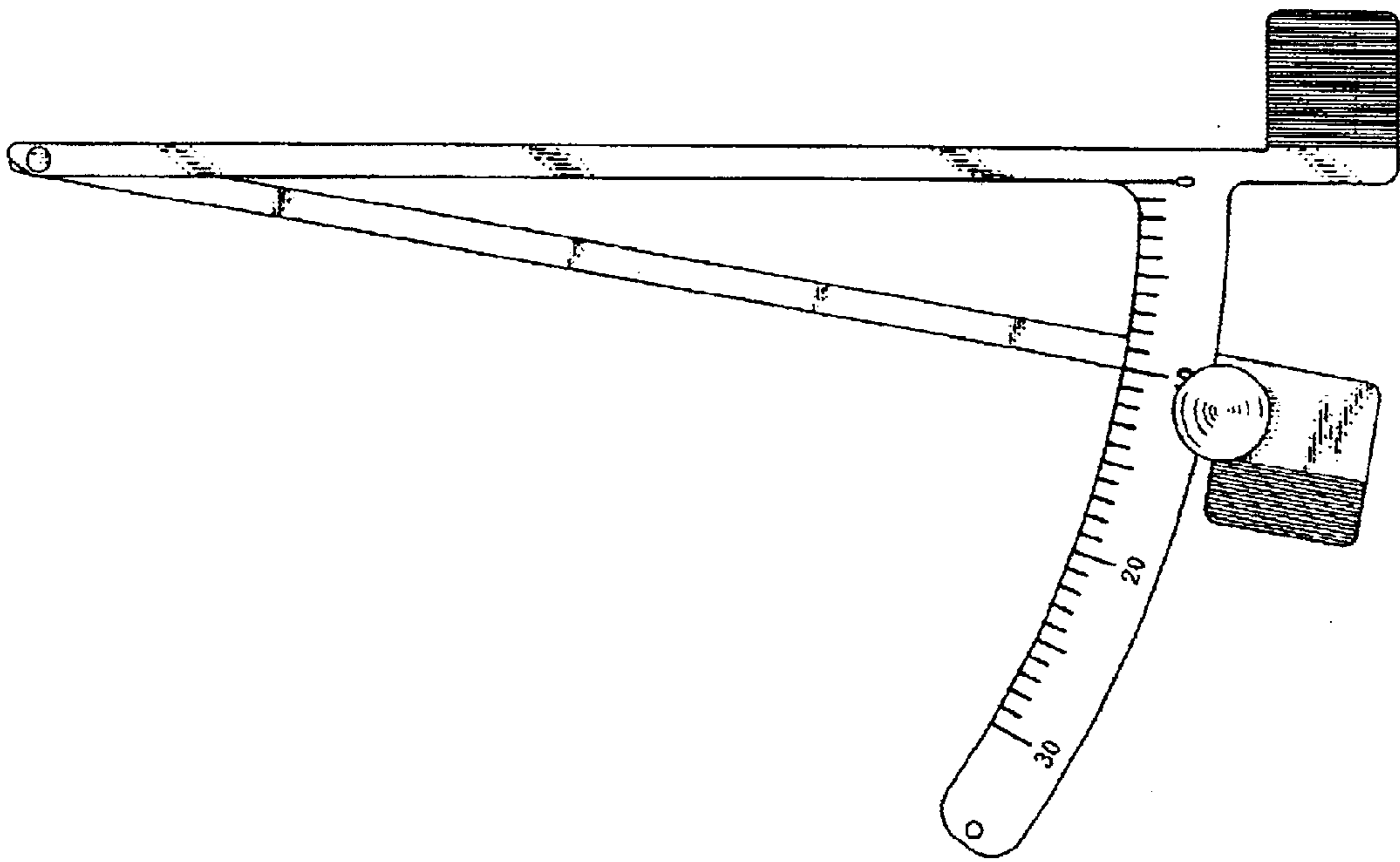


FIG. 9

