



US00D490002S

(12) **United States Design Patent**
Sanchez

(10) **Patent No.:** **US D490,002 S**

(45) **Date of Patent:** **** May 18, 2004**

(54) **METAL DETECTOR FOR LOCATING METAL OBJECTS IN TIRES AND THE LIKE**

(76) **Inventor:** **Henry M. Sanchez**, 11012 W. 3rd St.,
Cashion, AZ (US) 85329

(**) **Term:** **14 Years**

(21) **Appl. No.:** **29/187,908**

(22) **Filed:** **Aug. 8, 2003**

(51) **LOC (7) Cl.** **10-04**

(52) **U.S. Cl.** **D10/47**

(58) **Field of Search** D10/47, 104; 324/329,
324/328, 233, 228

(56) **References Cited**

U.S. PATENT DOCUMENTS

D211,402 S	*	6/1968	Smith	D10/47
D221,587 S	*	8/1971	Asian	D10/103
3,646,492 A		2/1972	Westermann		
3,956,111 A		5/1976	Manfredi		
D251,364 S	*	3/1979	Henault et al.	D10/47
4,520,307 A		5/1985	Weiss et al.		
4,529,937 A		7/1985	Cornelius		
4,678,992 A		7/1987	Hametta		
4,903,856 A		2/1990	Watts		

5,371,463 A	*	12/1994	Collins	324/228
5,381,319 A		1/1995	Shiao		
5,649,546 A	*	7/1997	Steinbeck	600/550
D397,006 S		8/1998	Coleman, Jr. et al.		
D410,399 S	*	6/1999	De Torfino	D10/104
D451,413 S	*	12/2001	May et al.	D10/47
D459,246 S	*	6/2002	Power et al.	D10/47

* cited by examiner

Primary Examiner—Lucy Lieberman

(57) **CLAIM**

The ornamental design for a metal detector for locating metal objects in tires and the like, as shown and described.

DESCRIPTION

FIG. 1 is a front elevational view of a metal detector for locating metal objects in tires and the like showing my new design;

FIG. 2 is a side view, taken from the left side of FIG. 1, the right side view being a mirror image thereof;

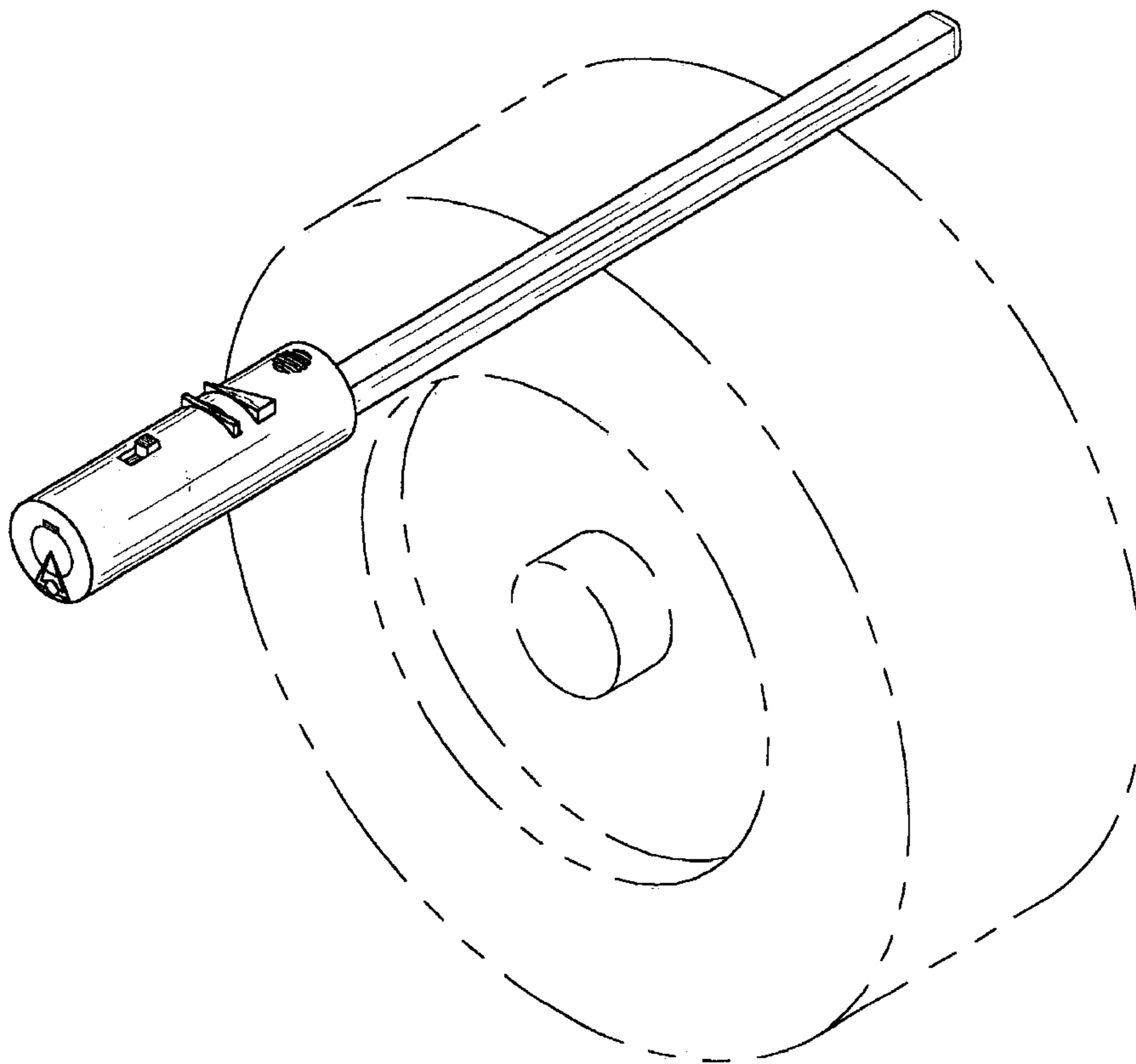
FIG. 3 is a top plan view thereof;

FIG. 4 is a bottom plan view thereof; and,

FIG. 5 is a perspective view thereof.

The dotted line showing of a wheel and tire in FIG. 5 is for illustrative purposes only and forms no part of my design.

1 Claim, 2 Drawing Sheets



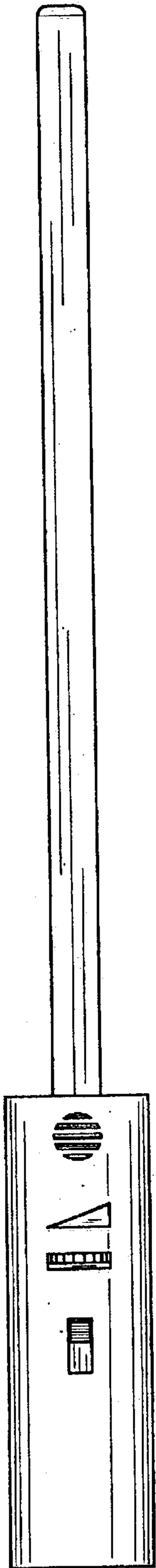


FIG. 1

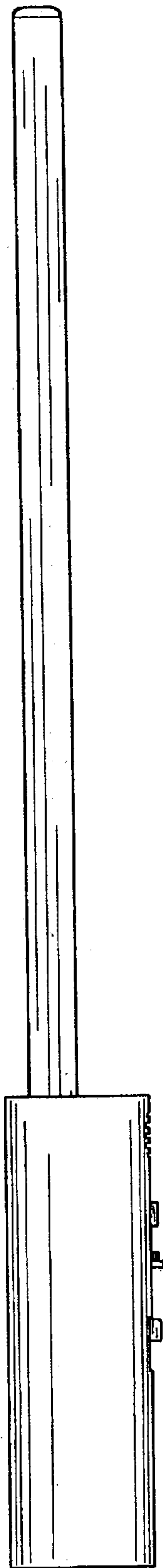


FIG. 2

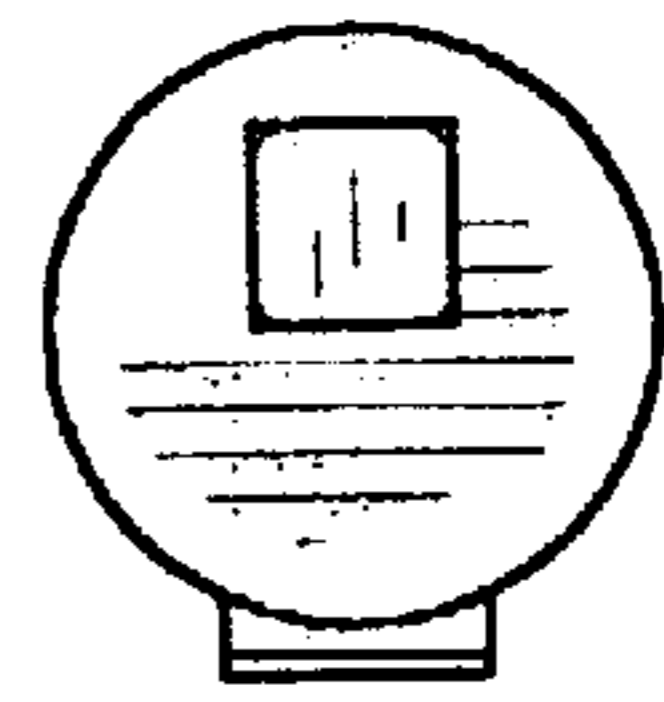


FIG. 3

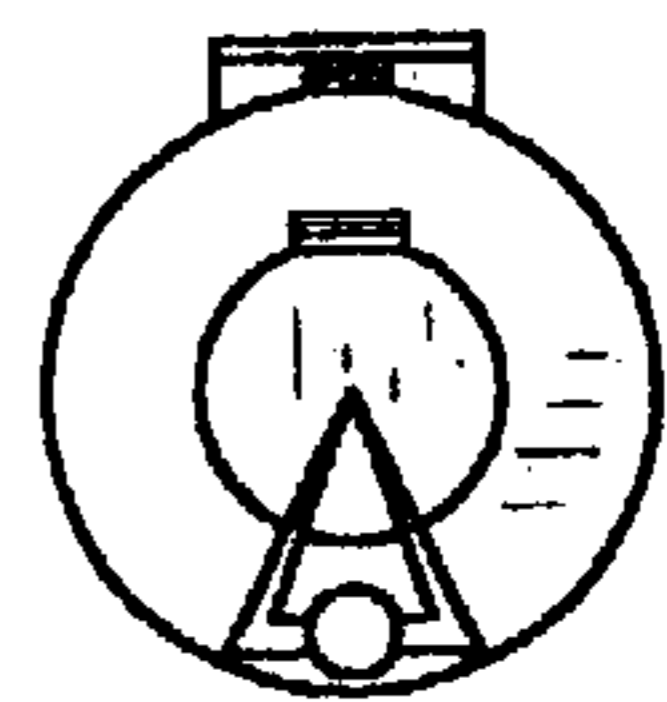


FIG. 4

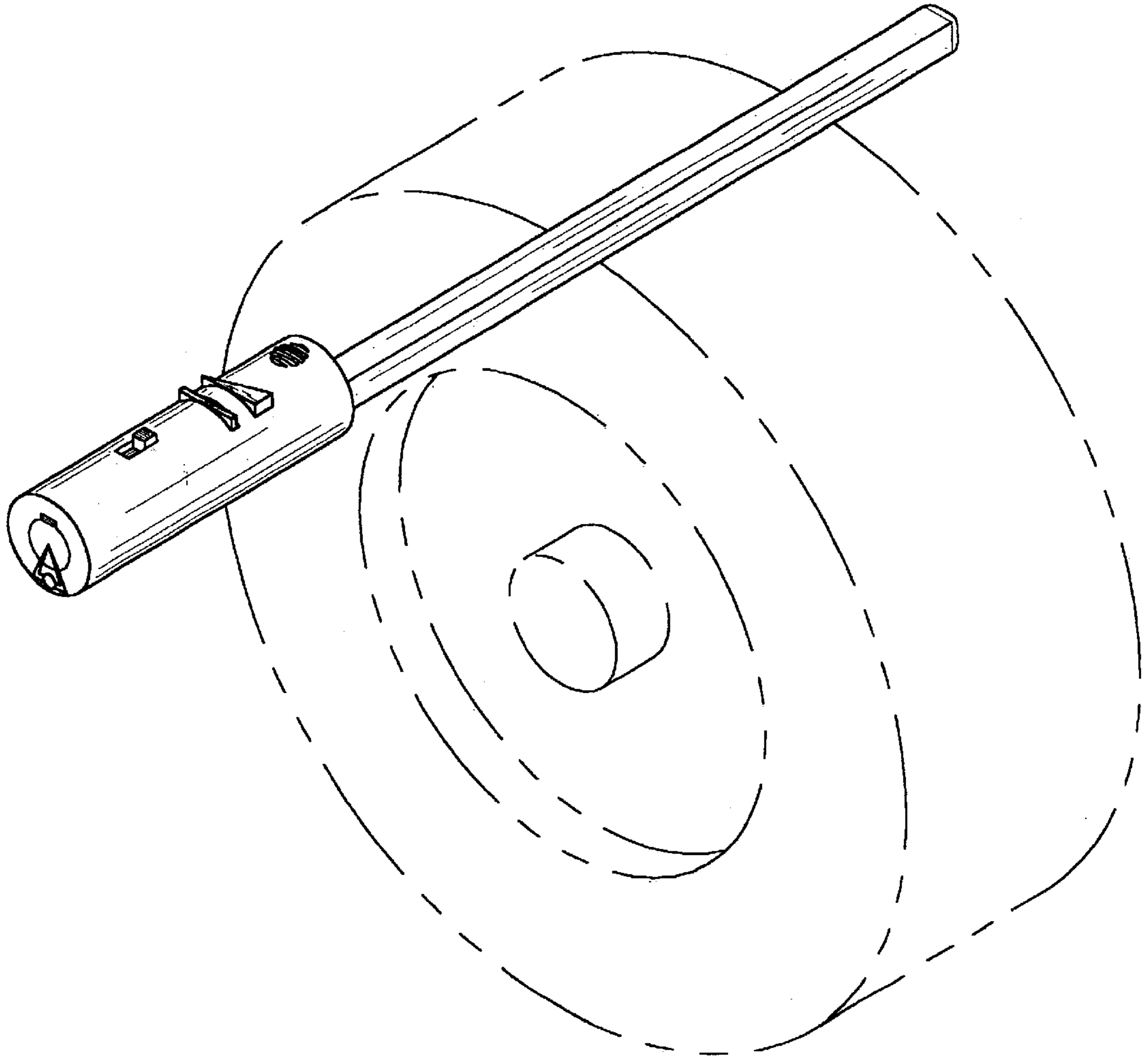


FIG. 5