



US00D490001S

(12) **United States Design Patent**  
**Elnekaveh**

(10) **Patent No.:** **US D490,001 S**

(45) **Date of Patent:** **\*\* May 18, 2004**

(54) **WRIST WATCH**

(76) Inventor: **Alex Elnekaveh**, 16713 Roscoe Blvd.,  
North Hills, CA (US) 91343

(\*\*) Term: **14 Years**

(21) Appl. No.: **29/187,846**

(22) Filed: **Aug. 11, 2003**

(51) **LOC (7) Cl.** ..... **10-02**

(52) **U.S. Cl.** ..... **D10/32**

(58) **Field of Search** ..... D10/1-40, 122-132;  
368/276-277, 281-282, 285; 224/164, 168,  
178; D11/3-25; 63/1.1, 3, 5, 11

(56) **References Cited**

**U.S. PATENT DOCUMENTS**

D309,438 S	*	7/1990	Saurer	.....	D10/39
D309,576 S	*	7/1990	Saurer	.....	D10/39
D312,792 S	*	12/1990	Ratajski	.....	D10/32
D343,582 S	*	1/1994	Maruyama	.....	D10/30
D371,080 S	*	6/1996	Gueit	.....	D10/39

\* cited by examiner

*Primary Examiner*—Nelson C. Holtje

(74) *Attorney, Agent, or Firm*—Roger A. Marrs

(57) **CLAIM**

The ornamental design for a wrist watch, substantially as shown and described.

**DESCRIPTION**

FIG. 1 is a top plan view showing my design for a wrist watch;  
 FIG. 2 is a side elevational view thereof;  
 FIG. 3 is a bottom view thereof;  
 FIG. 4 is a side elevation of the wrist watch taken from the opposite side shown in FIG. 2;  
 FIG. 5 is an end view thereof with the opposite end being a mirror image thereof;  
 FIG. 6 is a top plan view of another version of wrist watch showing my design thereof;  
 FIG. 7 is a side elevational view thereof;  
 FIG. 8 is a bottom view thereof;  
 FIG. 9 is a side elevational view thereof opposite from the side shown in FIG. 7; and,  
 FIG. 10 is an end view thereof with the opposite end being a mirror image thereof.

**1 Claim, 10 Drawing Sheets**

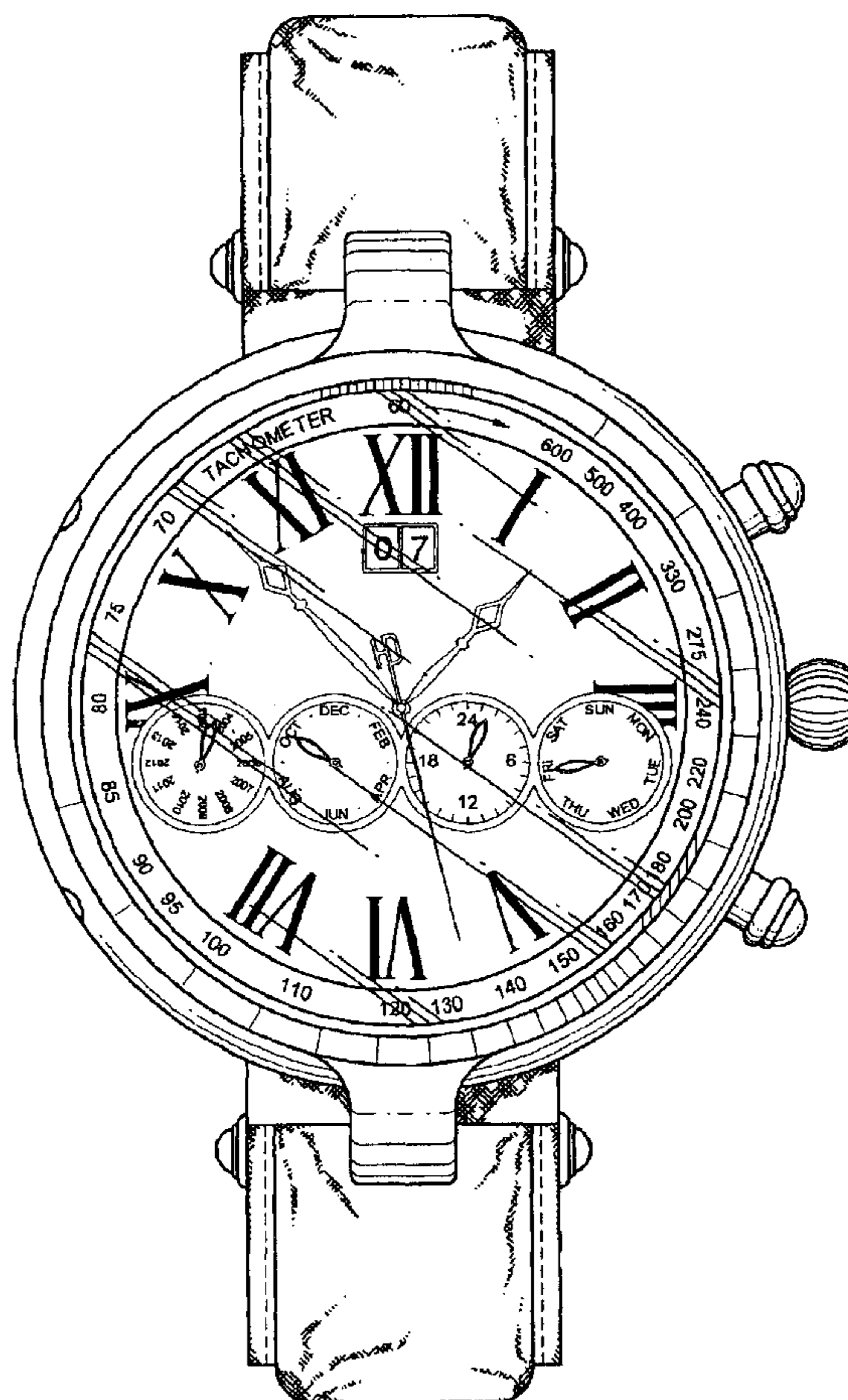


FIG. 1

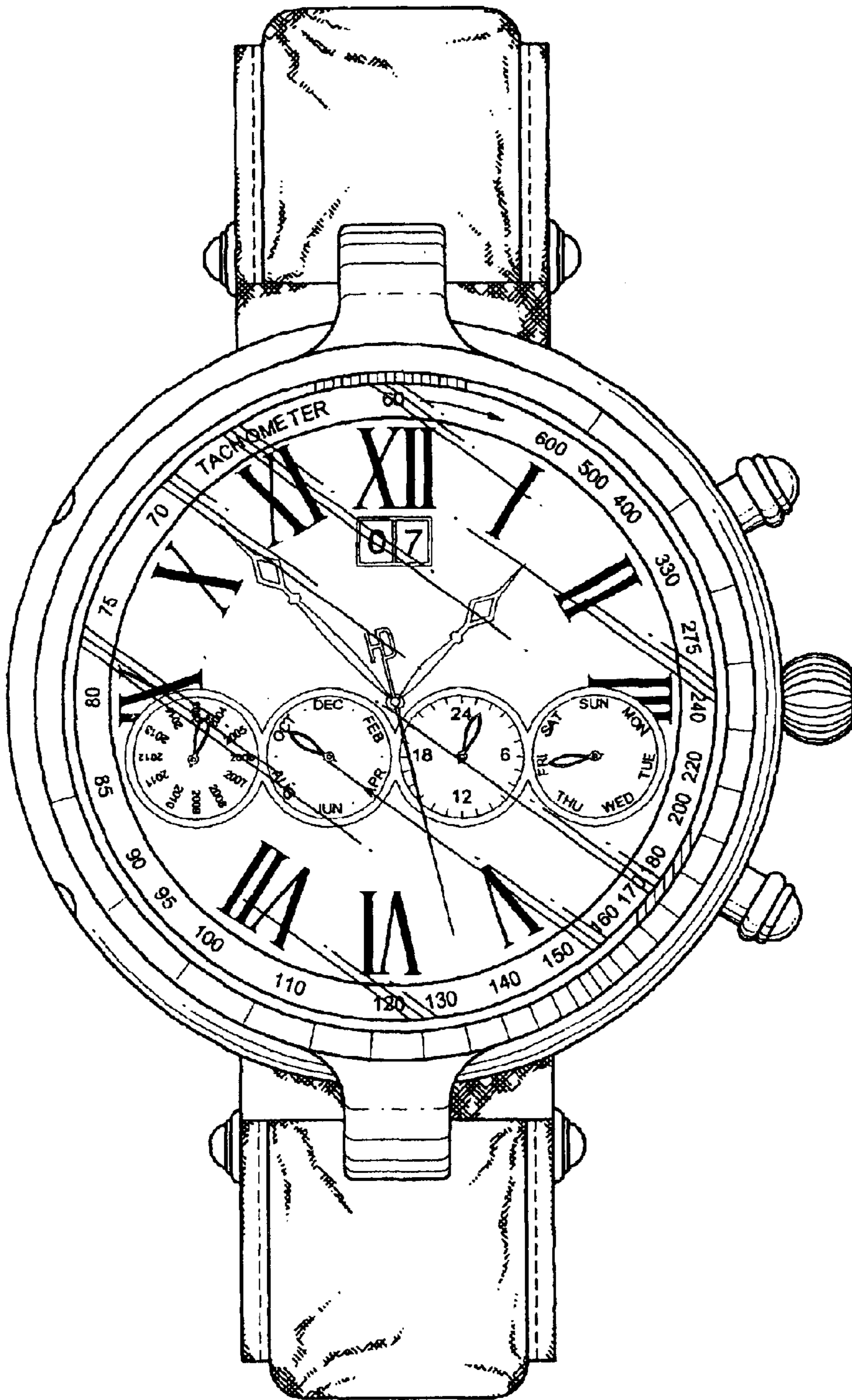
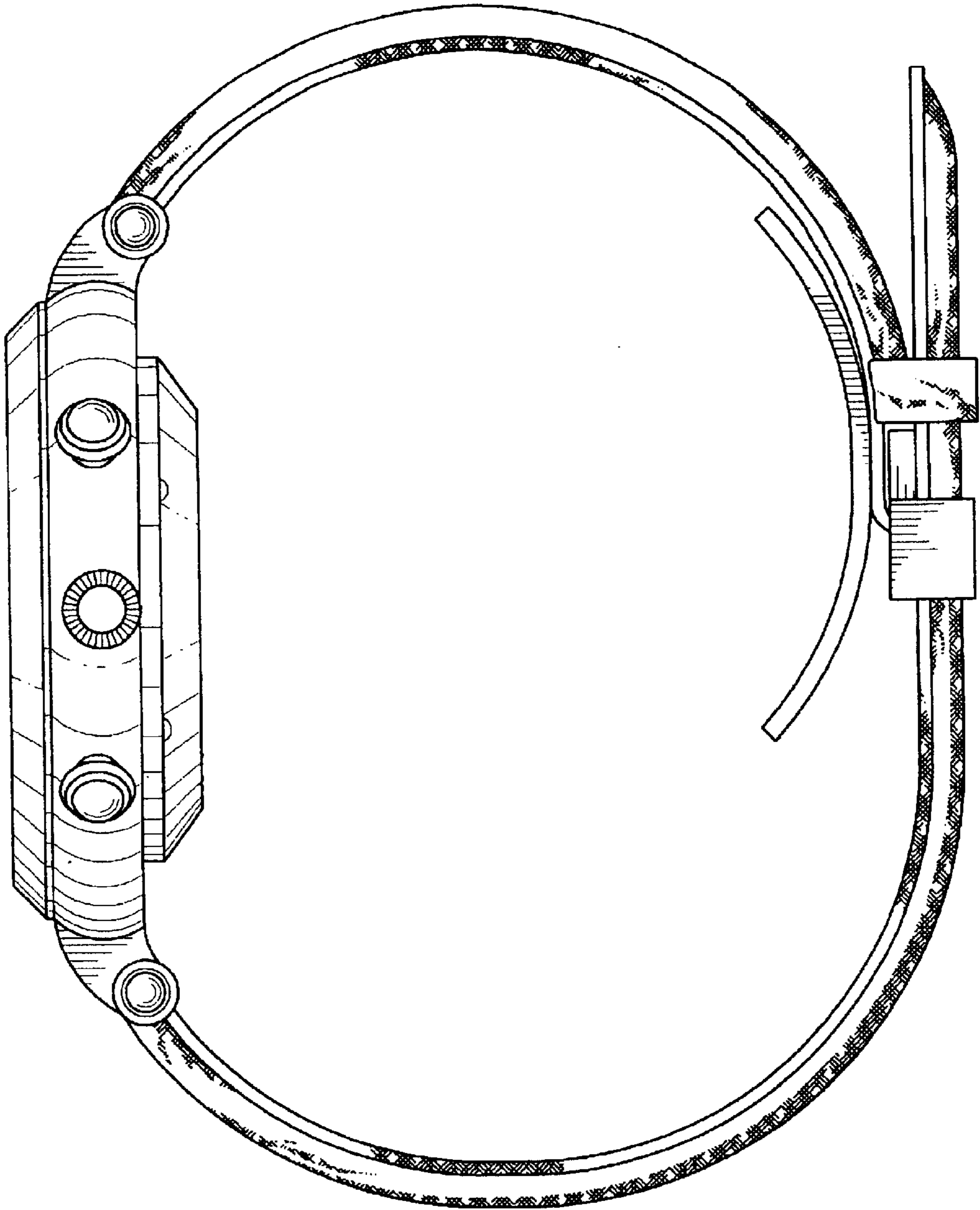
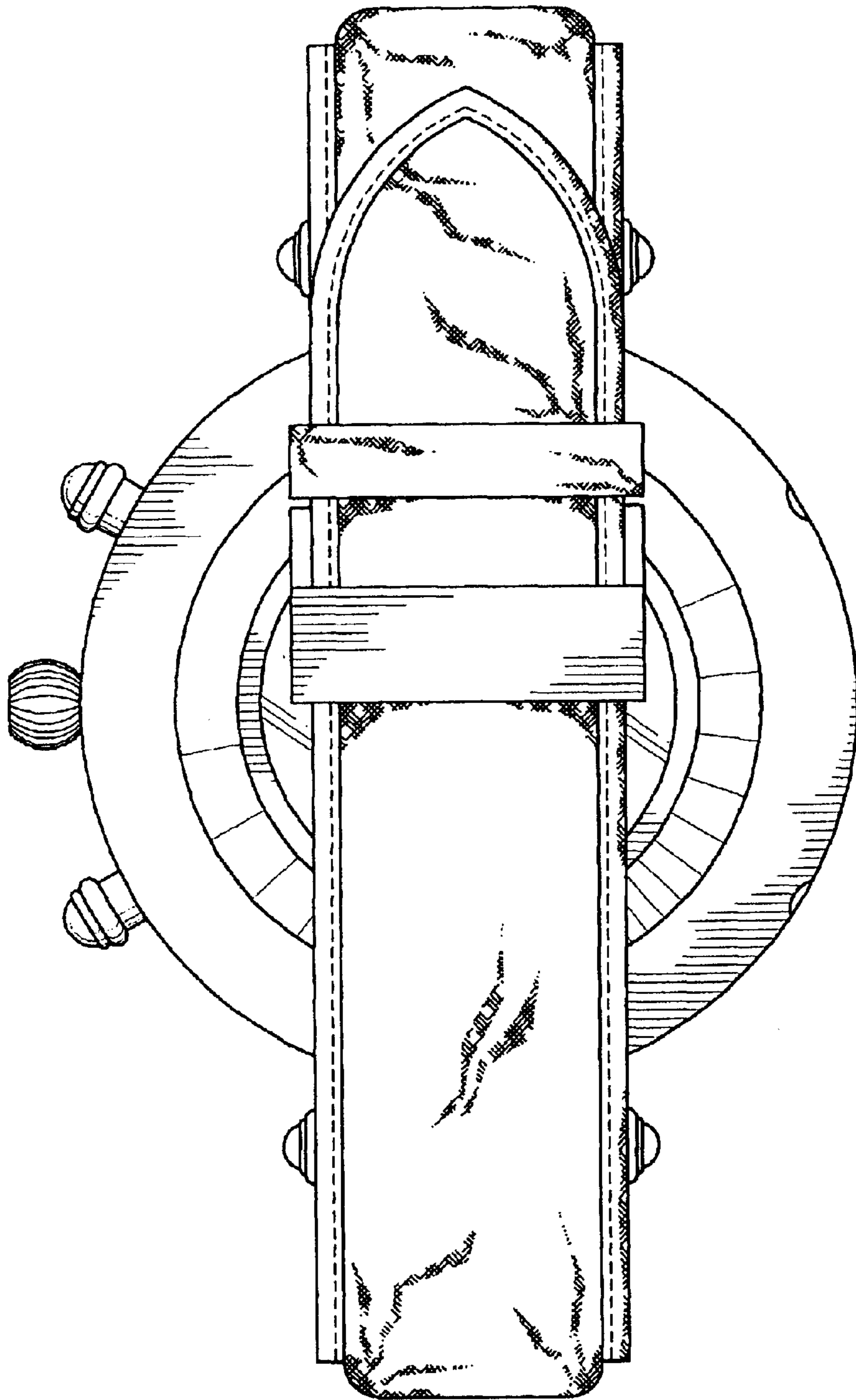


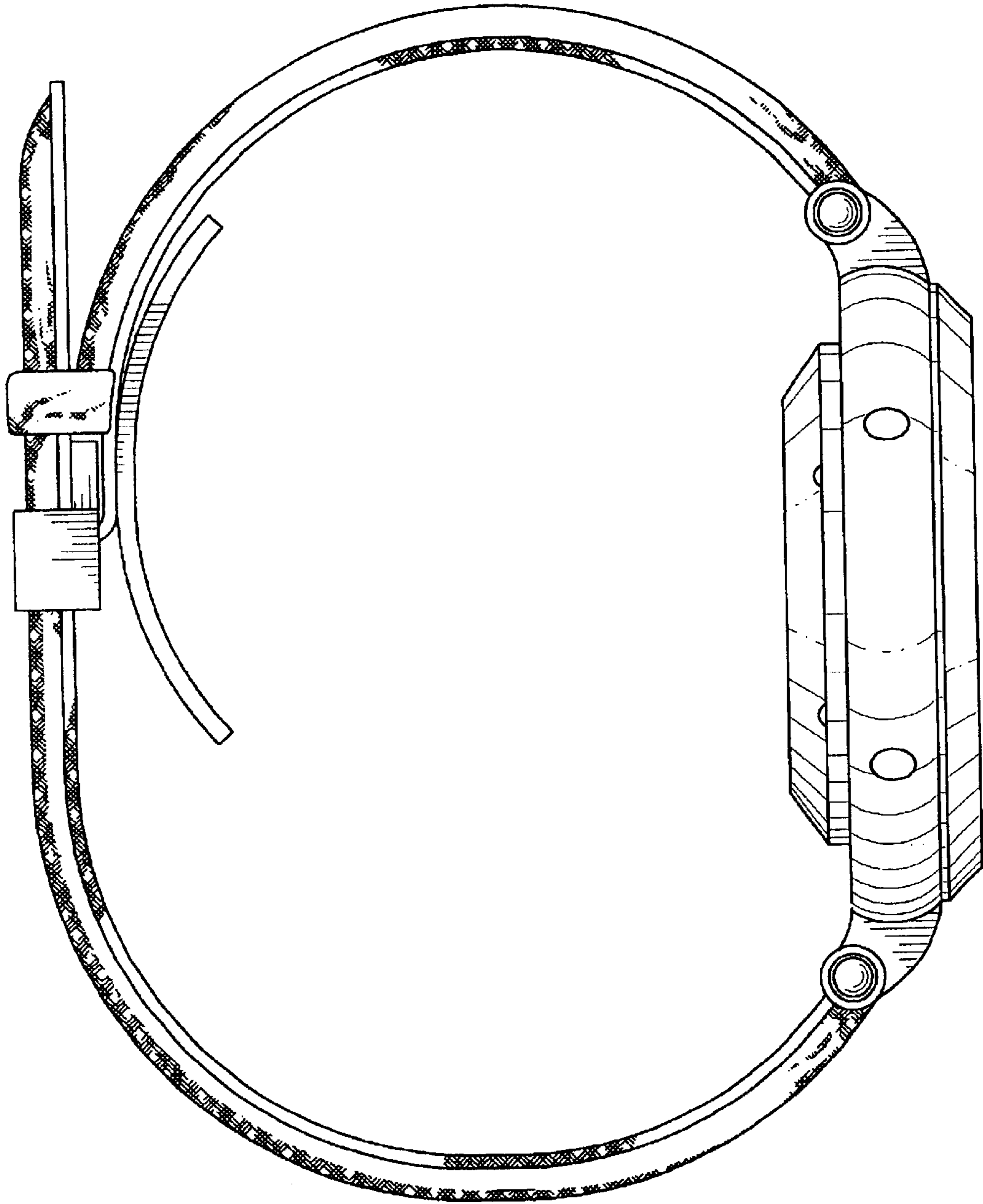
FIG. 2



*FIG. 3*



*FIG. 4*



*FIG. 5*

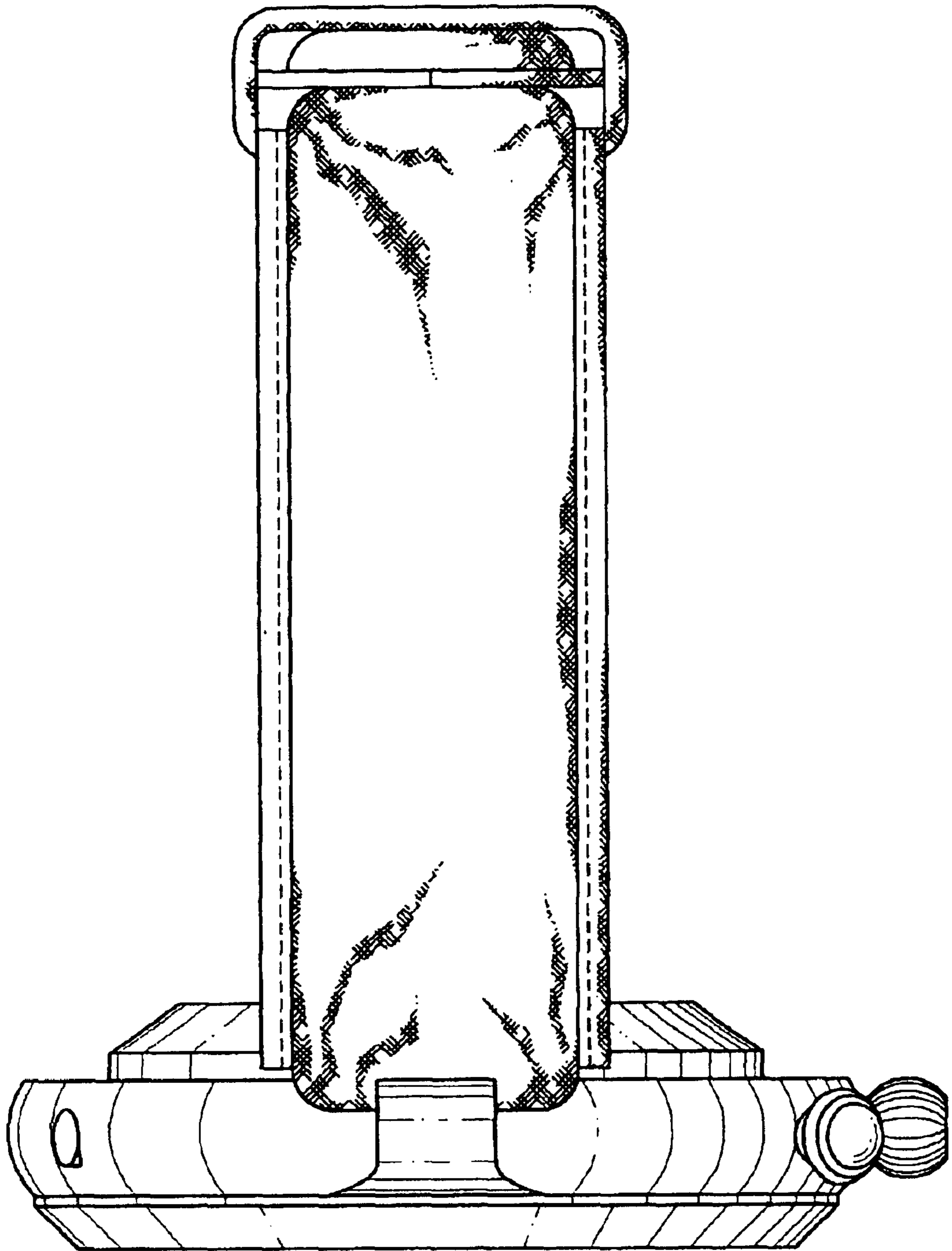
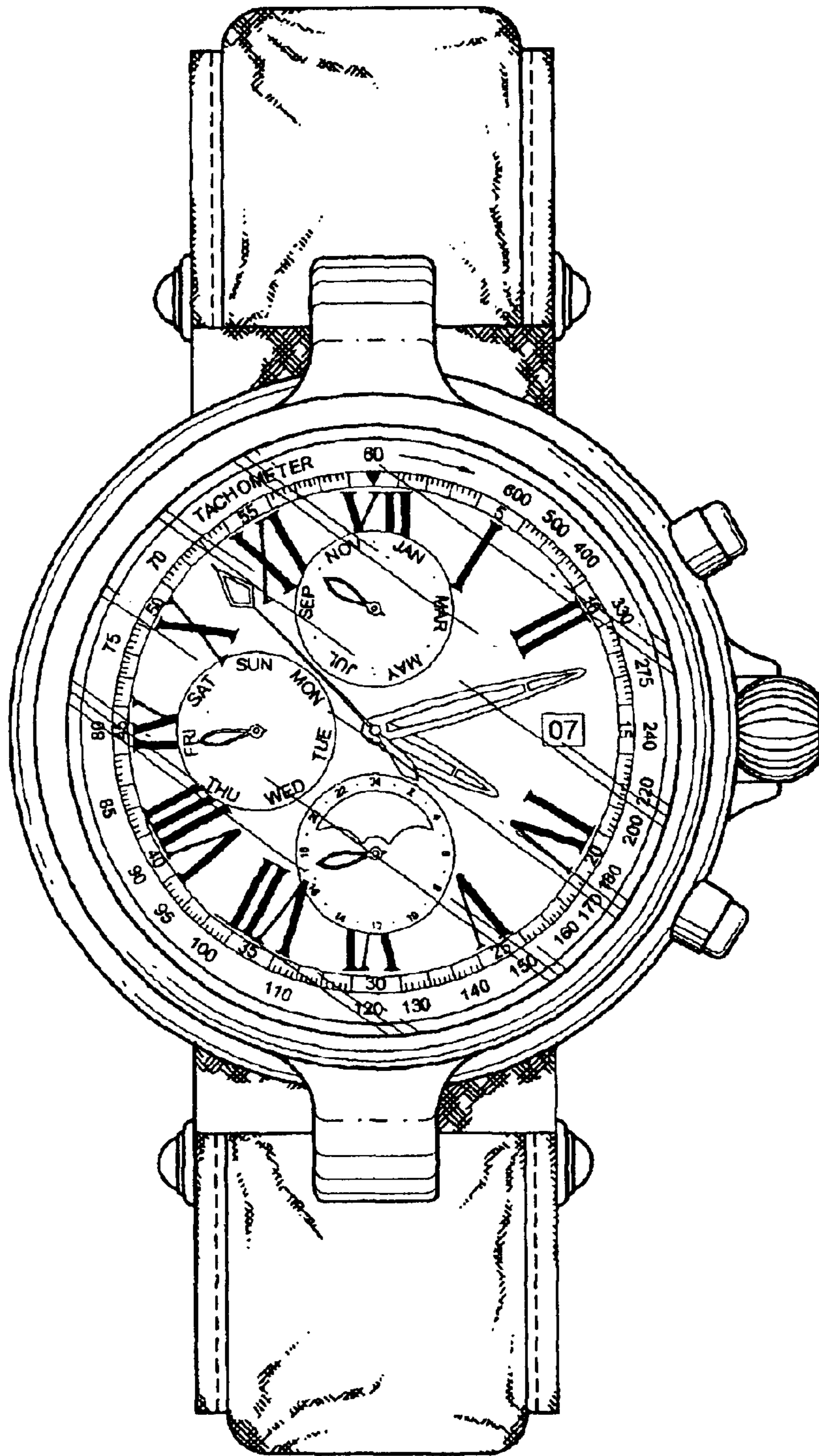
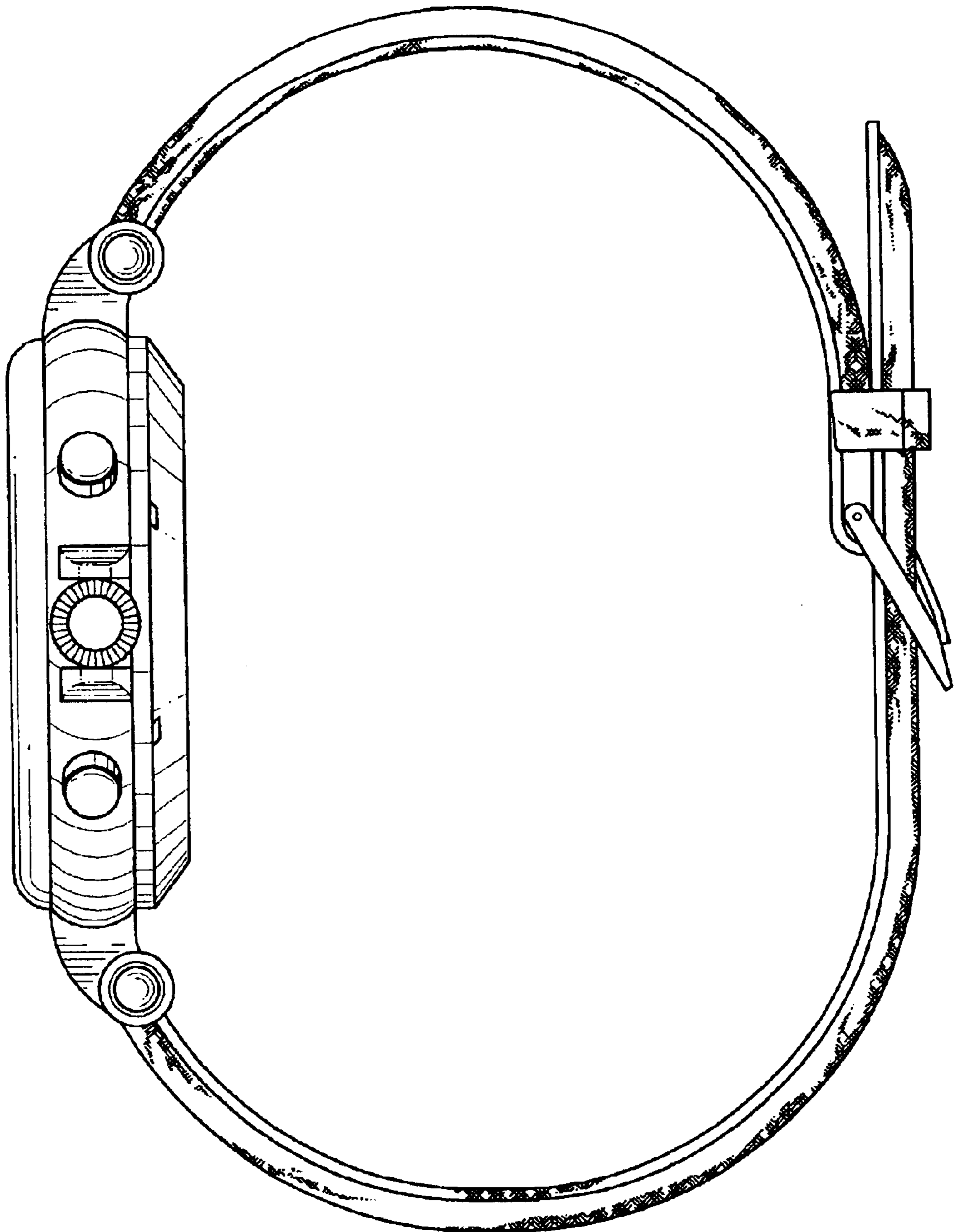


FIG. 6

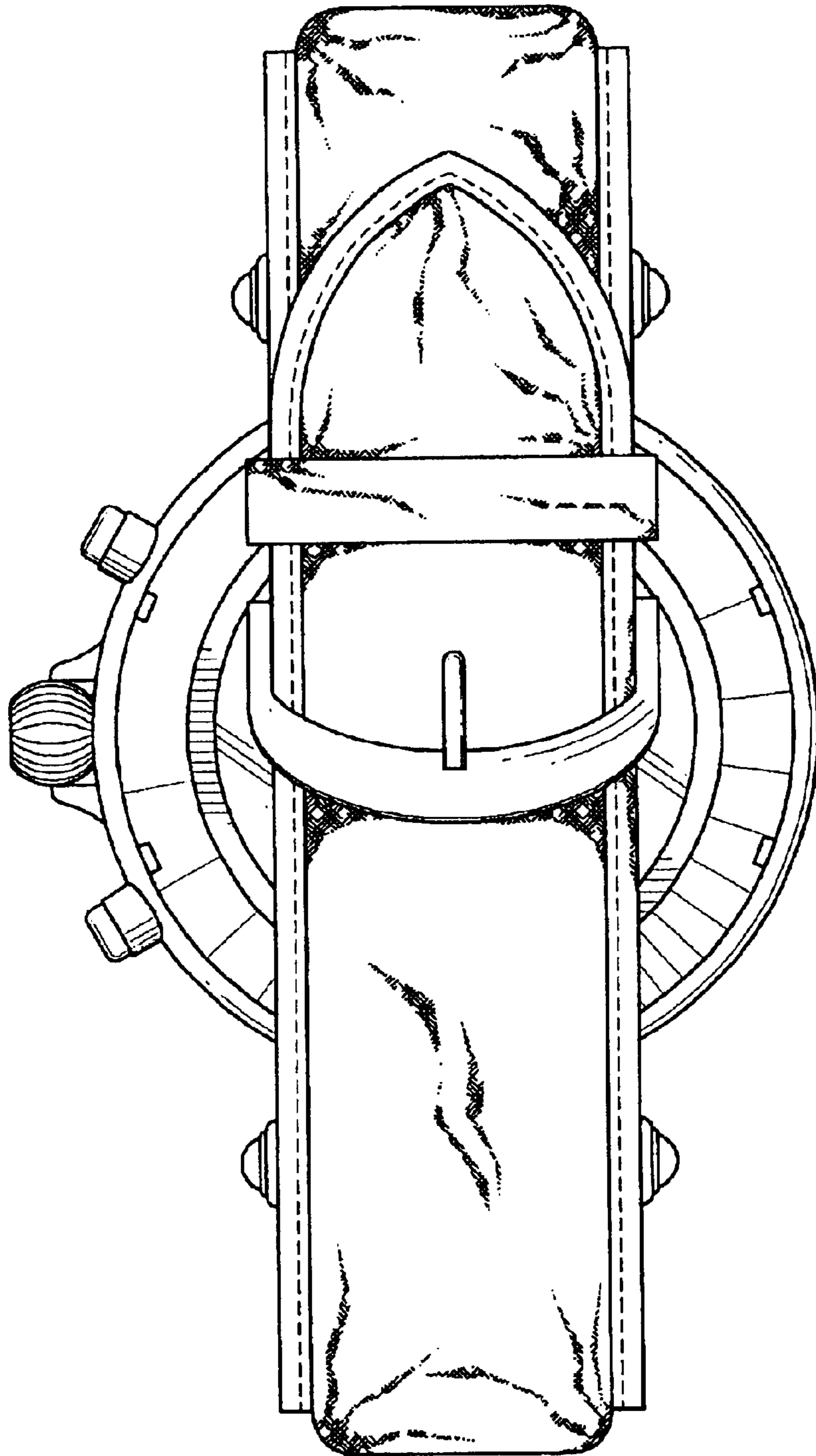


*FIG. 7*

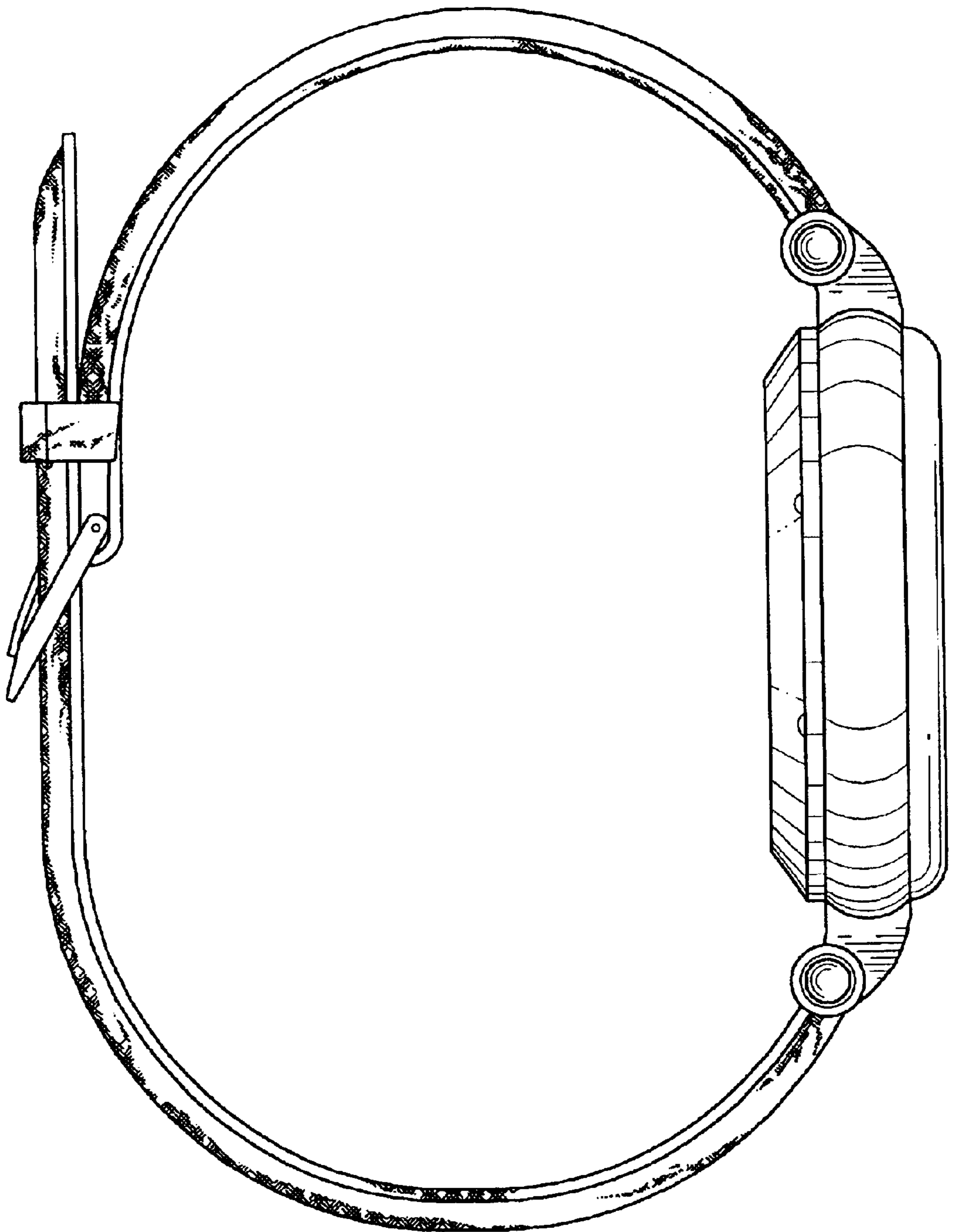




*FIG. 8*



*FIG. 9*



*FIG. 10*

