



US00D489998S

(12) **United States Design Patent**
Goto et al.

(10) **Patent No.:** **US D489,998 S**

(45) **Date of Patent:** **** May 18, 2004**

(54) **WATCH CASE**

D403,246 S * 12/1998 Hanagata D10/30
D403,252 S * 12/1998 Hanagata D10/38

(75) Inventors: **Atsushi Goto**, Kunitachi (JP); **Kenji Kojima**, Oume (JP)

* cited by examiner

(73) Assignee: **Casio Keisanki Kabushiki Kaisha**, Tokyo (JP)

Primary Examiner—Nelson C. Holtje
(74) *Attorney, Agent, or Firm*—Frishauf, Holtz, Goodman & Chick, P.C.

(**) Term: **14 Years**

(57) **CLAIM**

(21) Appl. No.: **29/187,407**

The ornamental design for watch case, as shown.

(22) Filed: **Jul. 30, 2003**

DESCRIPTION

(51) **LOC (7) Cl.** **10-02**

(52) **U.S. Cl.** **D10/30**

(58) **Field of Search** D10/1-40, 122-132;
368/28-30, 41-44, 82-84, 239-242, 276-277,
280-282, 285

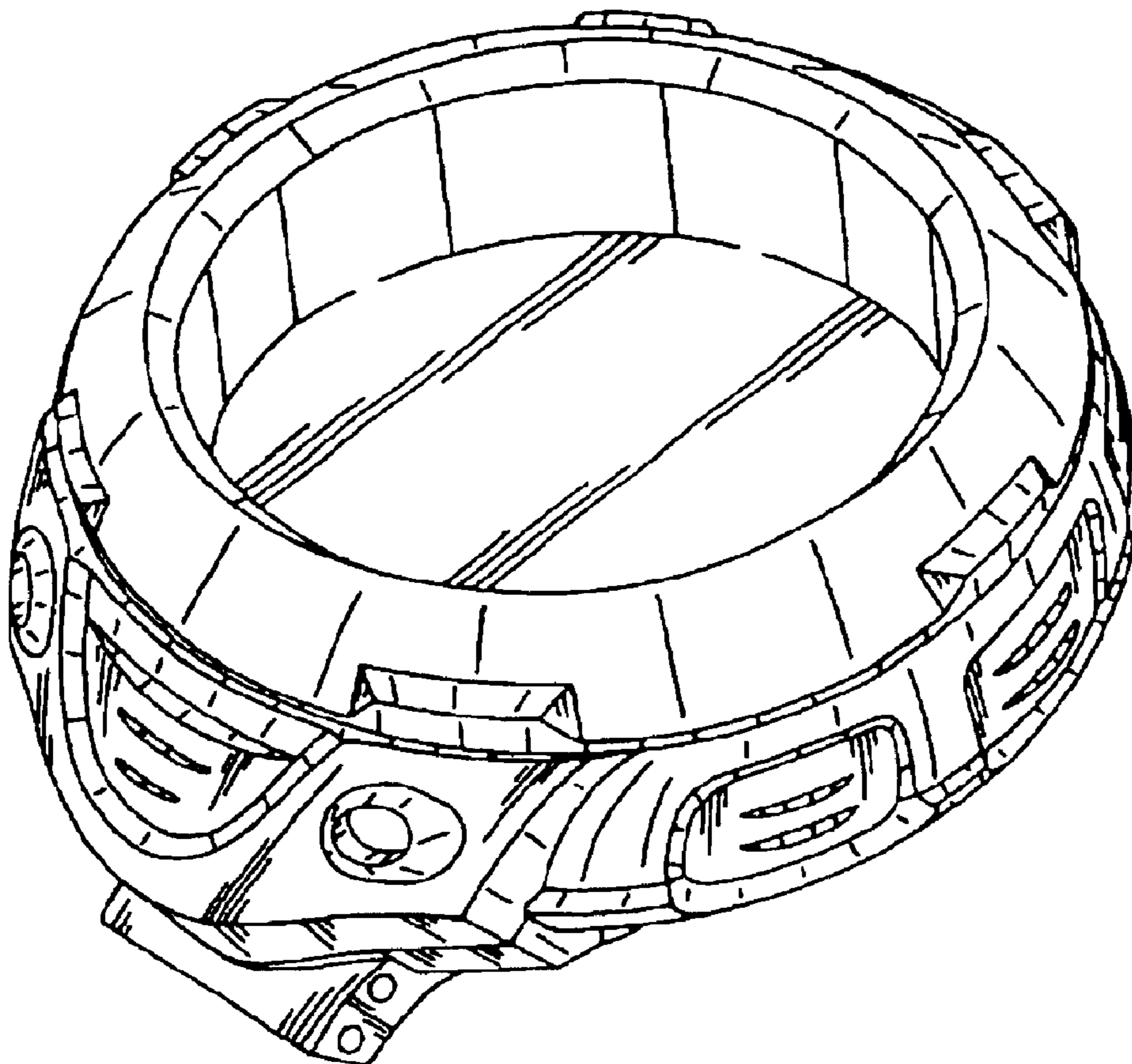
FIG. 1 is a bottom, front, right side perspective view of a watch case showing our new design;
FIG. 2 is a front elevational view thereof;
FIG. 3 is a rear elevational view thereof;
FIG. 4 is a left side view thereof;
FIG. 5 is a right side view thereof;
FIG. 6 is a top plan view thereof; and,
FIG. 7 is a bottom plan view thereof.

(56) **References Cited**

U.S. PATENT DOCUMENTS

D359,001 S * 6/1995 Nakai D10/38

1 Claim, 6 Drawing Sheets



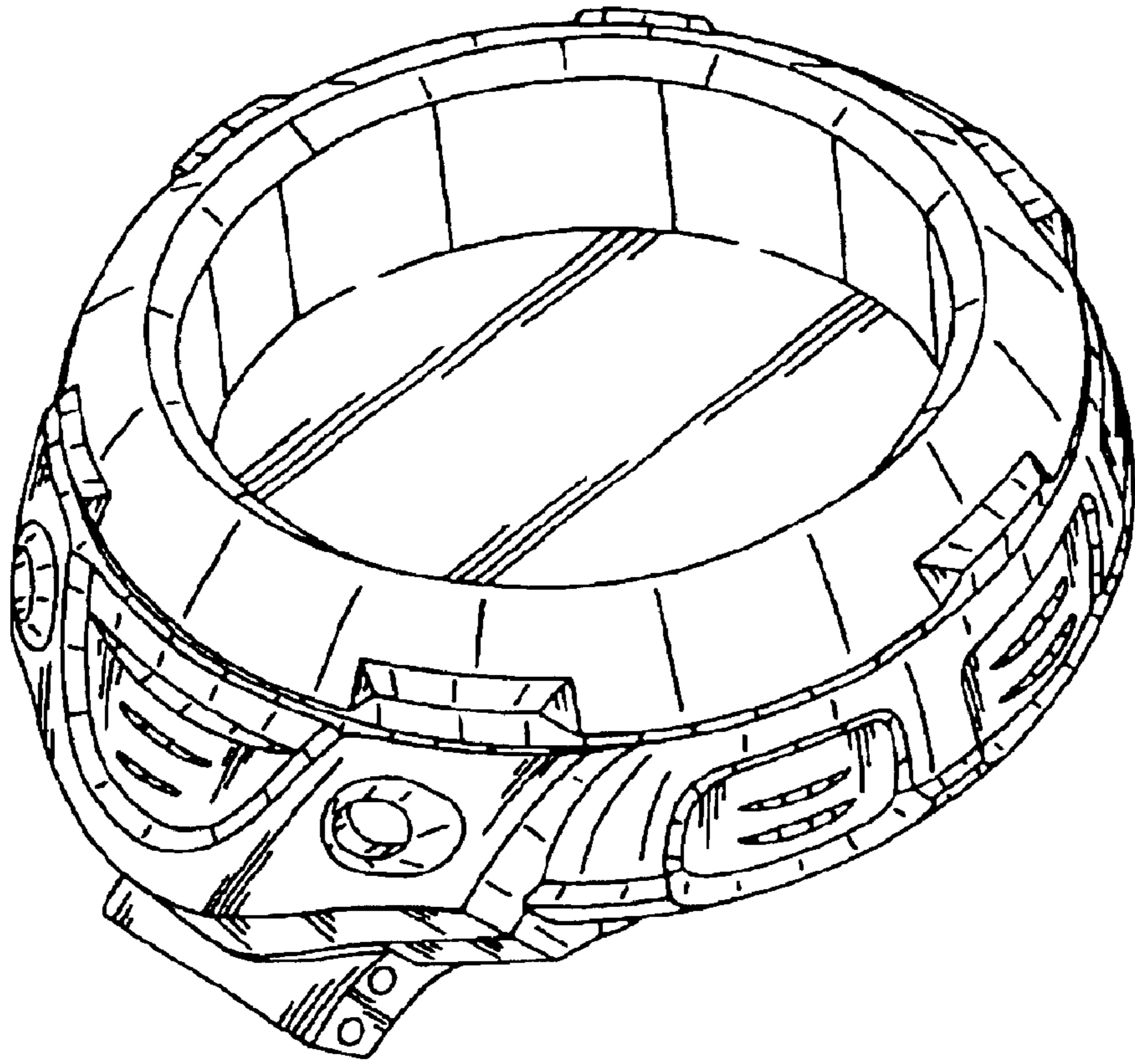


FIG. 1

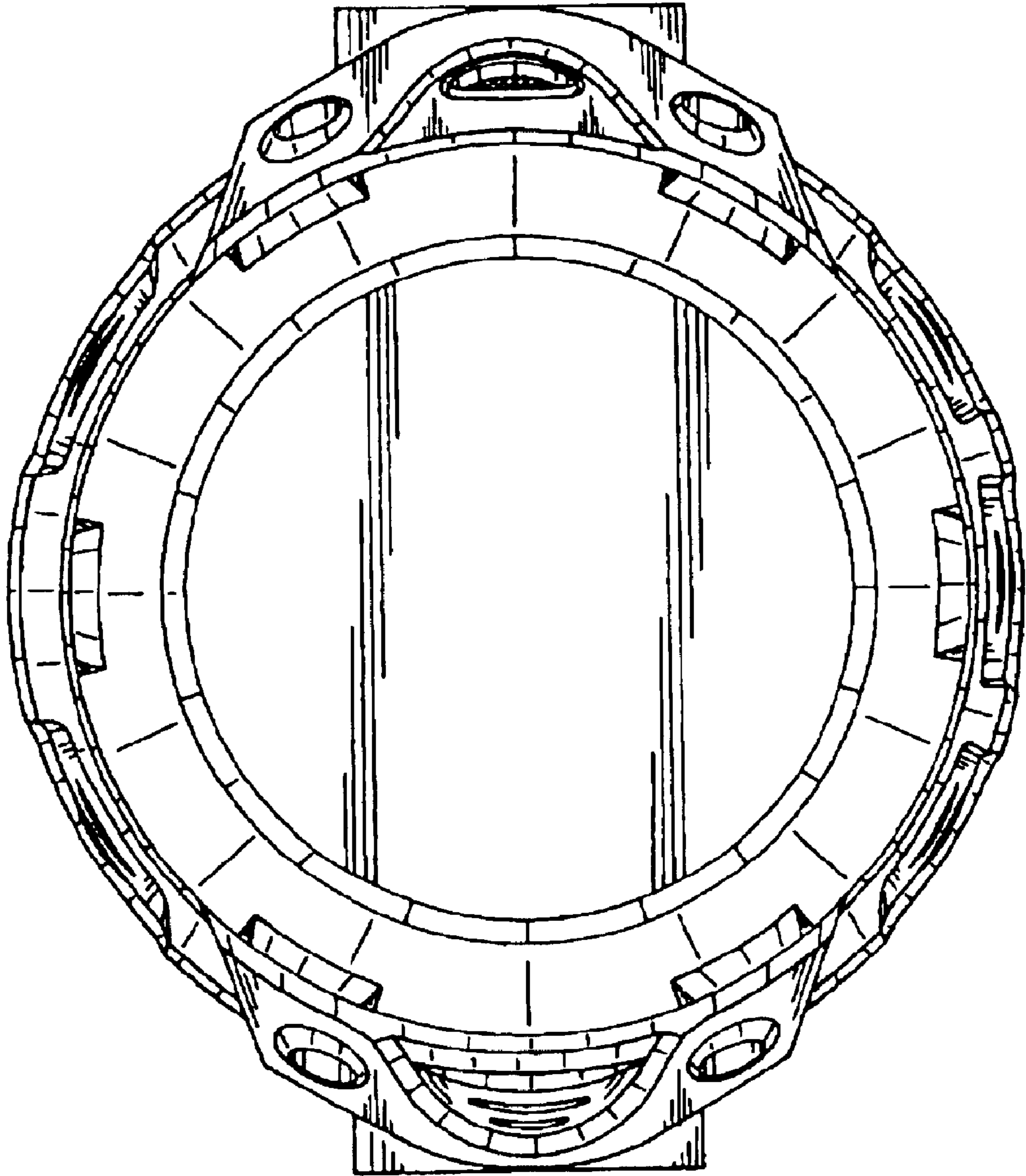


FIG. 2

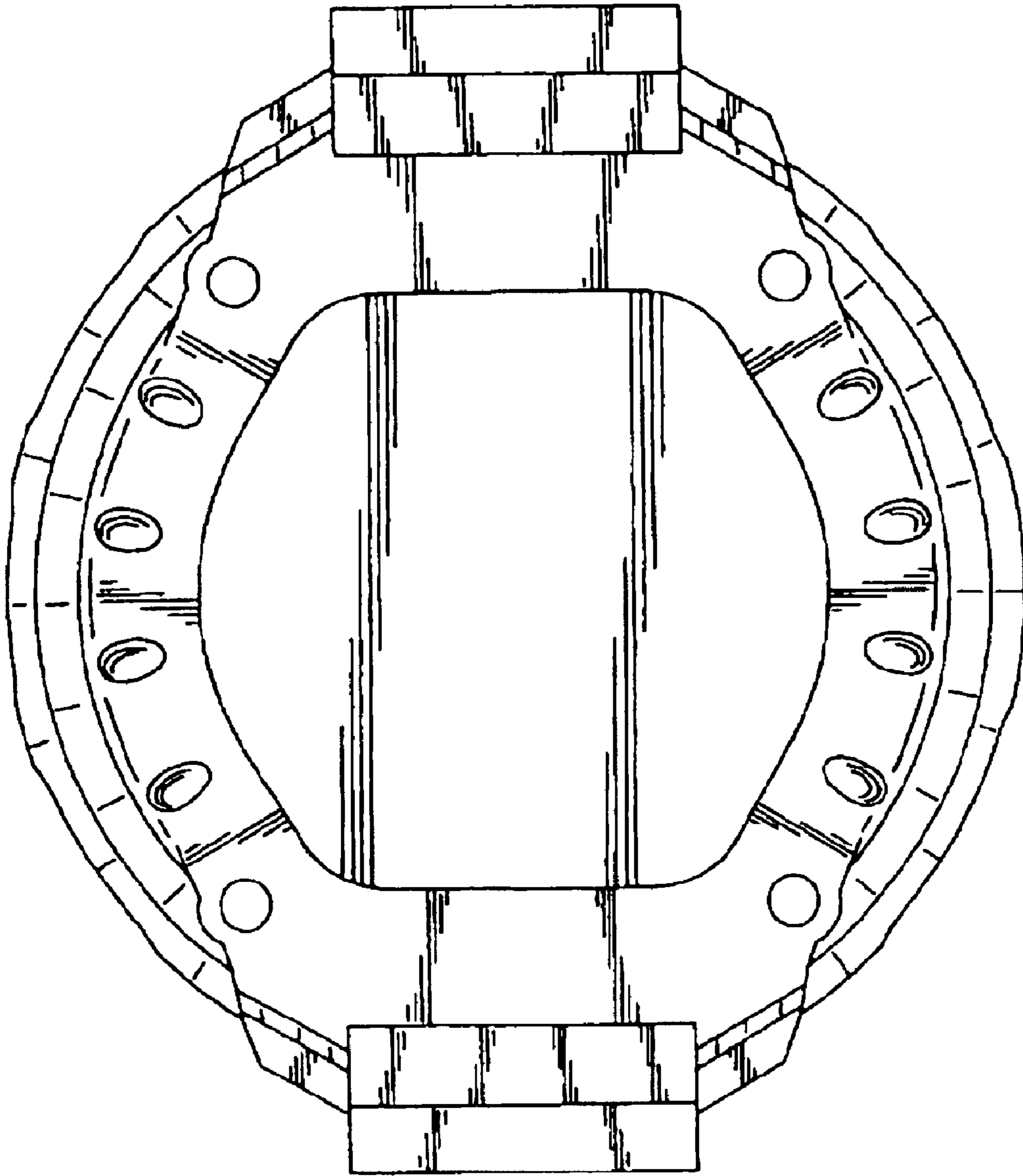


FIG. 3

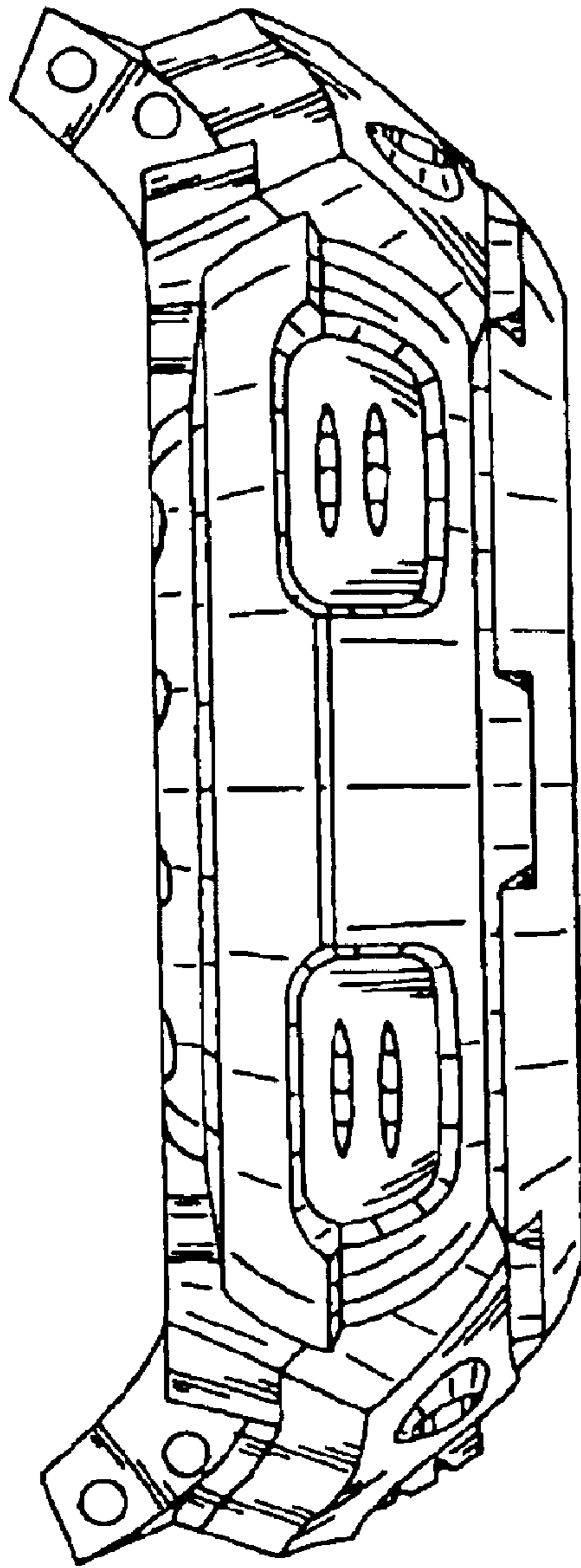


FIG. 4

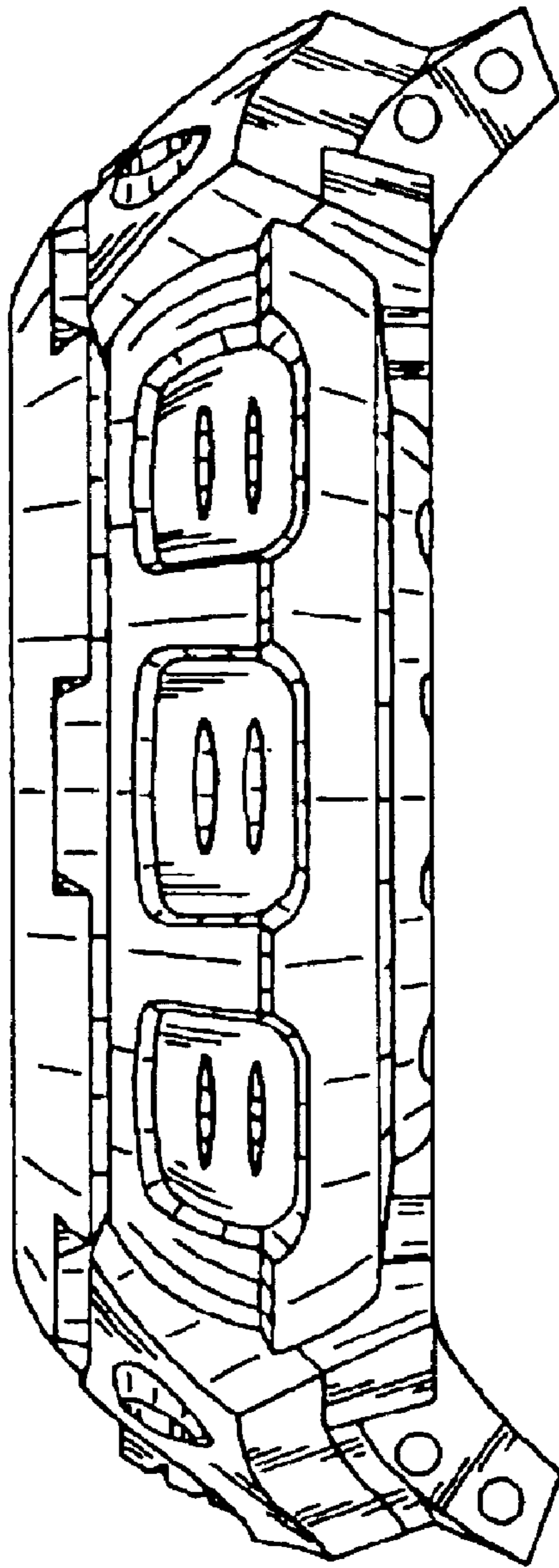


FIG. 5

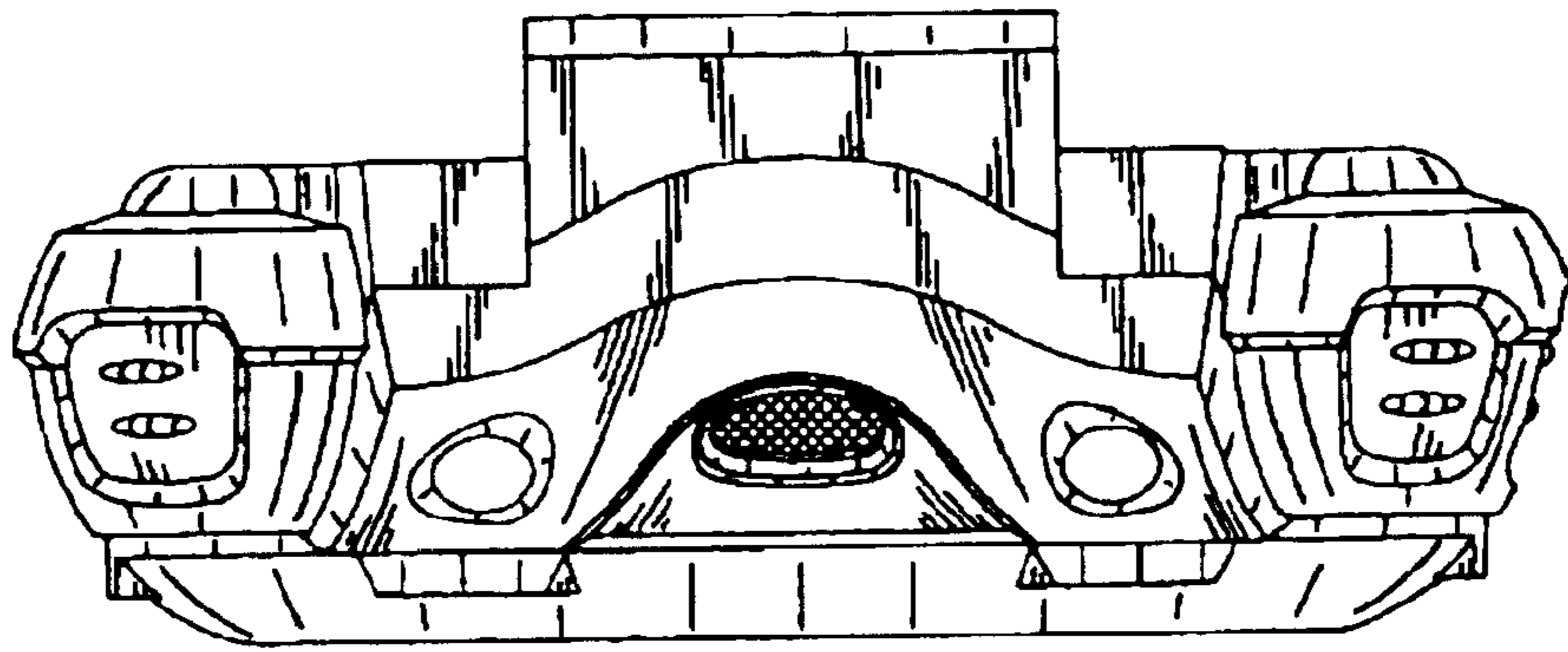


FIG. 6

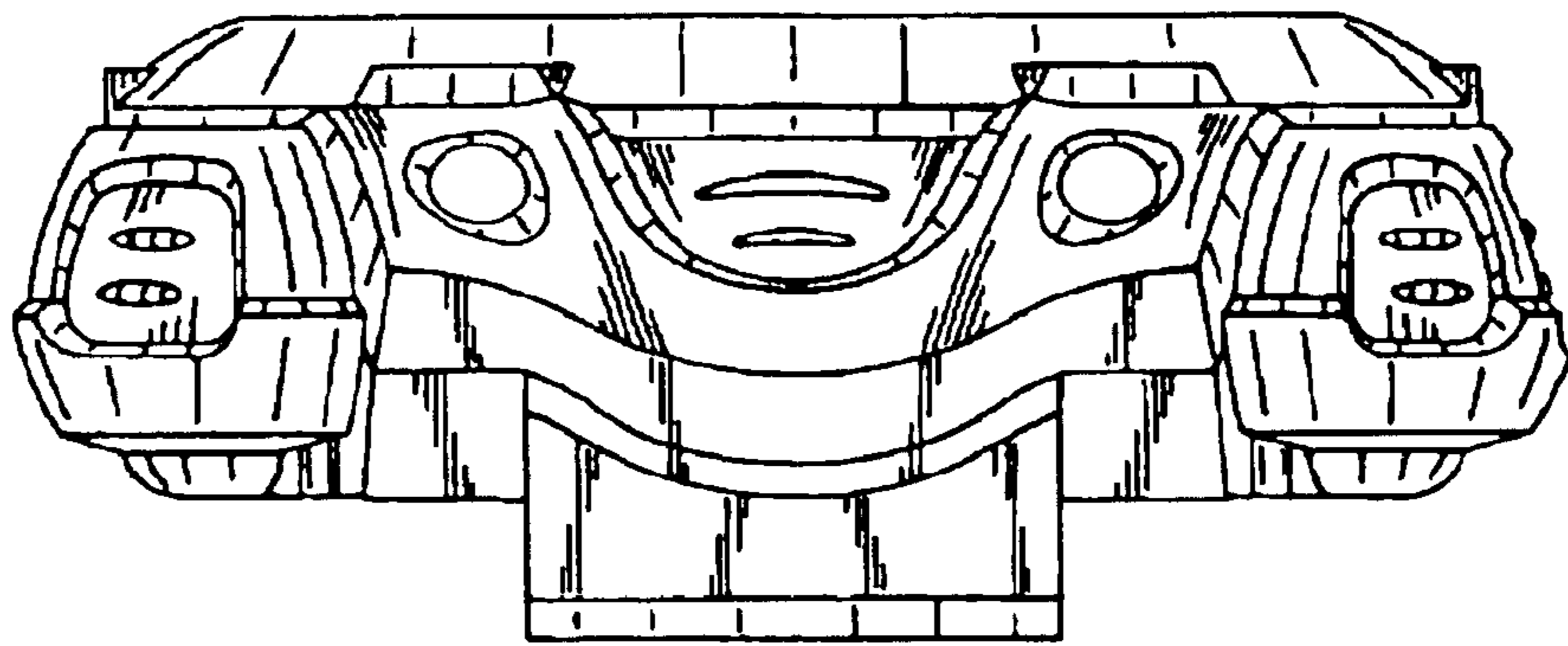


FIG. 7