



US00D48995S

(12) **United States Design Patent**  
**Wu**

(10) **Patent No.:** **US D489,995 S**

(45) **Date of Patent:** **\*\* May 18, 2004**

(54) **TOUCH-CONTROL CLOCK**

(76) **Inventor:** **Tzy-Jen Wu**, 6F, No. 195, Sec. 3, Ho Ping E. Road, Taipei (TW)

(\*\*) **Term:** **14 Years**

(21) **Appl. No.:** **29/182,445**

(22) **Filed:** **May 27, 2003**

(51) **LOC (7) Cl.** ..... **10-01**

(52) **U.S. Cl.** ..... **D10/15**

(58) **Field of Search** ..... D10/1-40, 122-132;  
368/280-282, 276-277, 28-30, 285, 239-242,  
243-249, 82-84, 41-44

(56) **References Cited**

**U.S. PATENT DOCUMENTS**

D175,305 S	*	8/1955	Hall	.....	D10/26
D268,011 S	*	2/1983	Bryk et al.	.....	D10/15
D302,528 S	*	8/1989	Ritchie	.....	D10/15
D329,609 S	*	9/1992	Wolff	.....	D10/2
D330,385 S	*	10/1992	Umino	.....	D18/49

D346,965 S	*	5/1994	Wolff	.....	D10/1
D348,842 S	*	7/1994	Olivadoti	.....	D10/15
D381,679 S	*	7/1997	Dubson	.....	D18/56
D467,184 S	*	12/2002	Kwok	.....	D10/15

\* cited by examiner

*Primary Examiner*—Nelson C. Holtje

(74) *Attorney, Agent, or Firm*—Law Offices of David Pai; C. David Pai

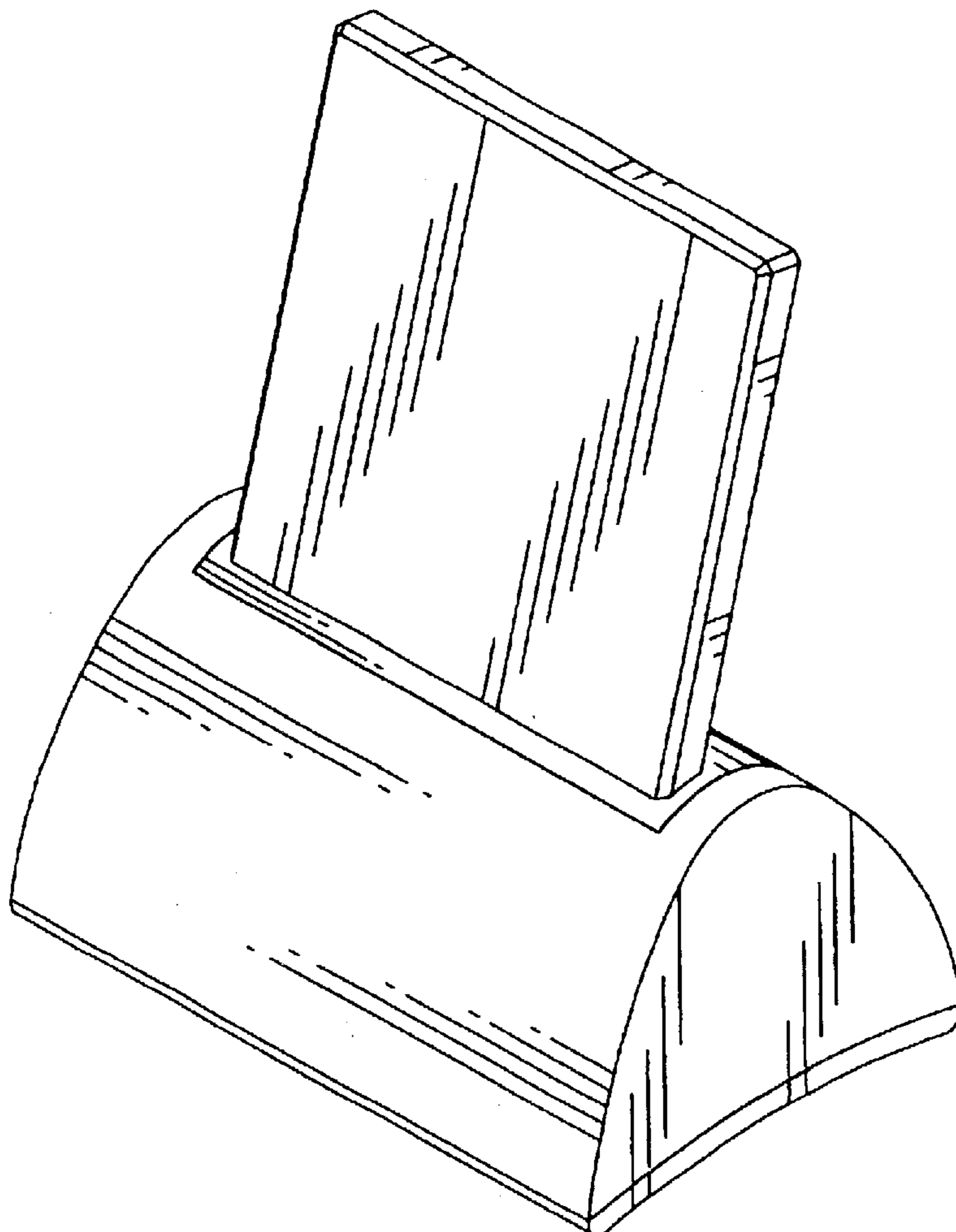
(57) **CLAIM**

The ornamental design for a touch-control clock, as shown.

**DESCRIPTION**

FIG. 1 is a perspective view of a touch-control clock, showing my new design;  
FIG. 2 is a front view thereof;  
FIG. 3 is a rear view thereof;  
FIG. 4 is a left side view thereof;  
FIG. 5 is a right side view thereof;  
FIG. 6 is a top view thereof; and,  
FIG. 7 is a bottom view thereof.

**1 Claim, 7 Drawing Sheets**



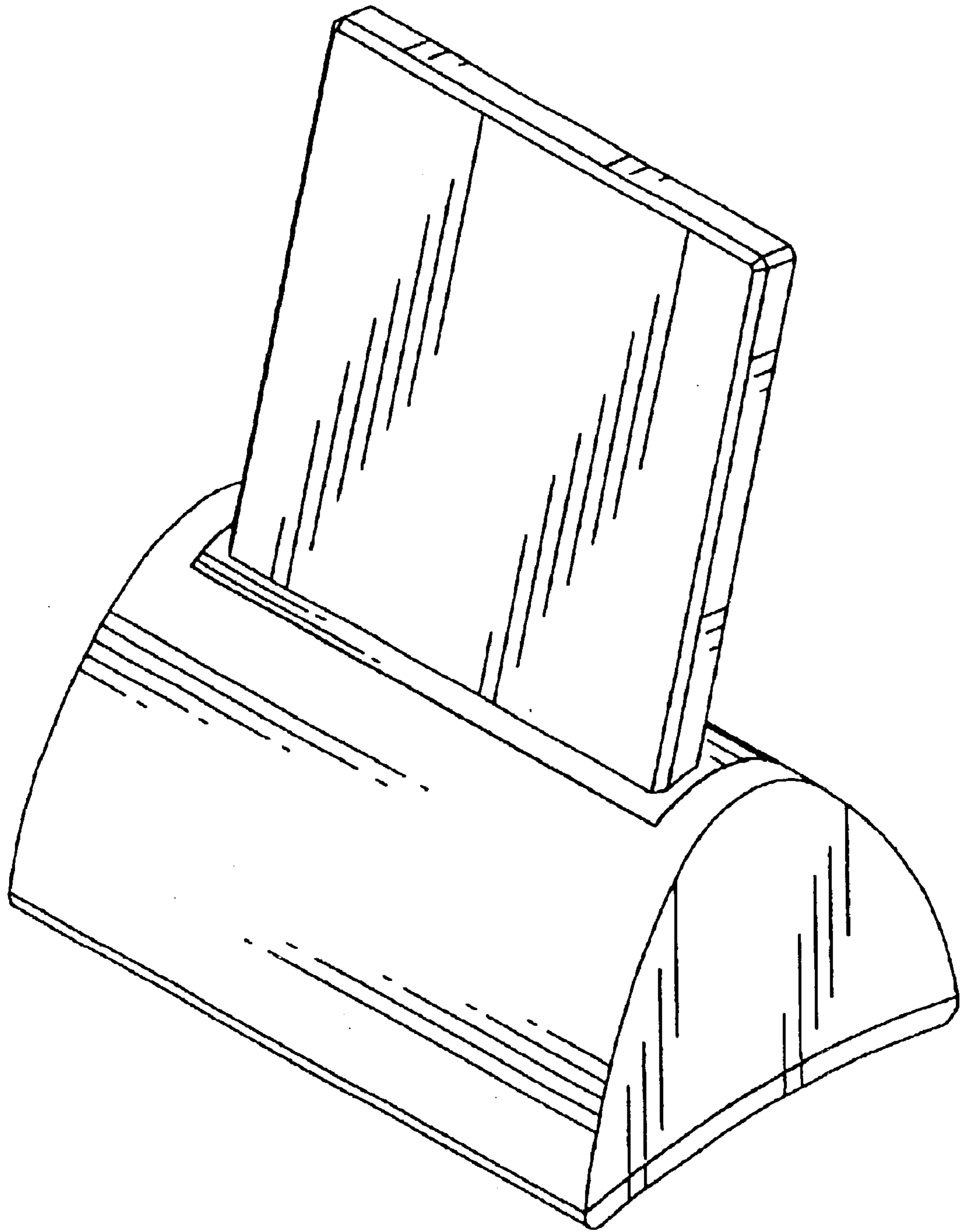


Fig. 1

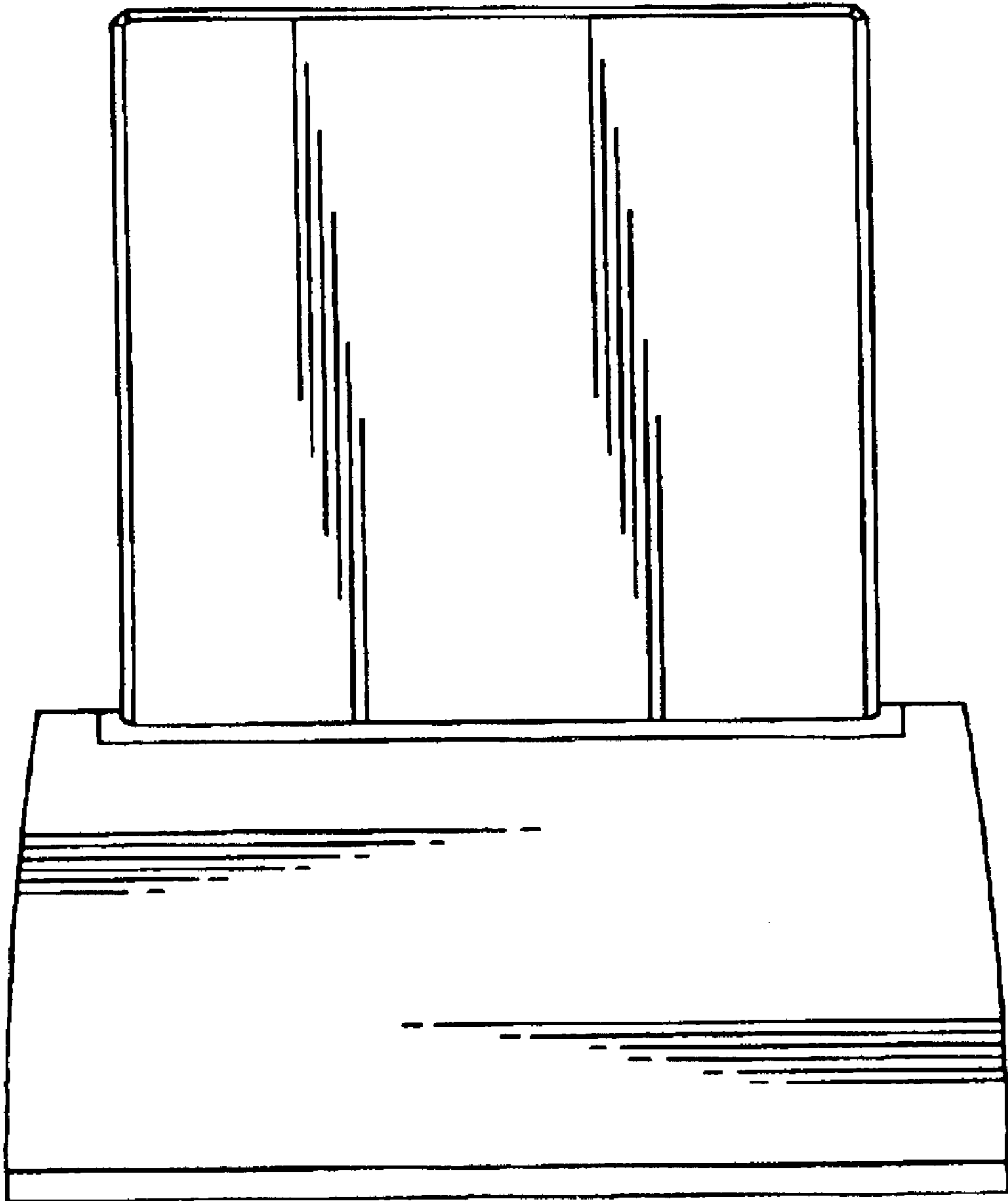
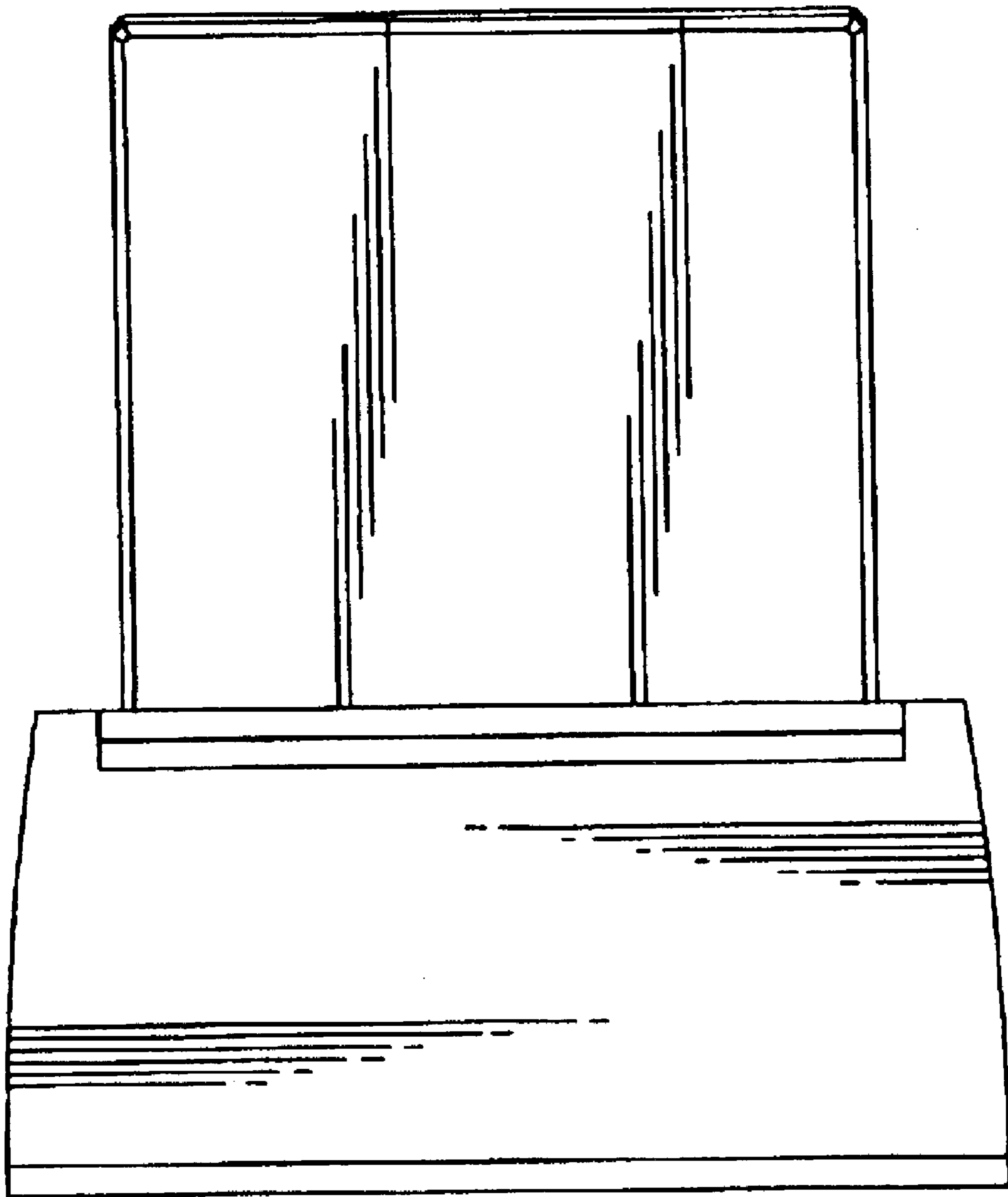
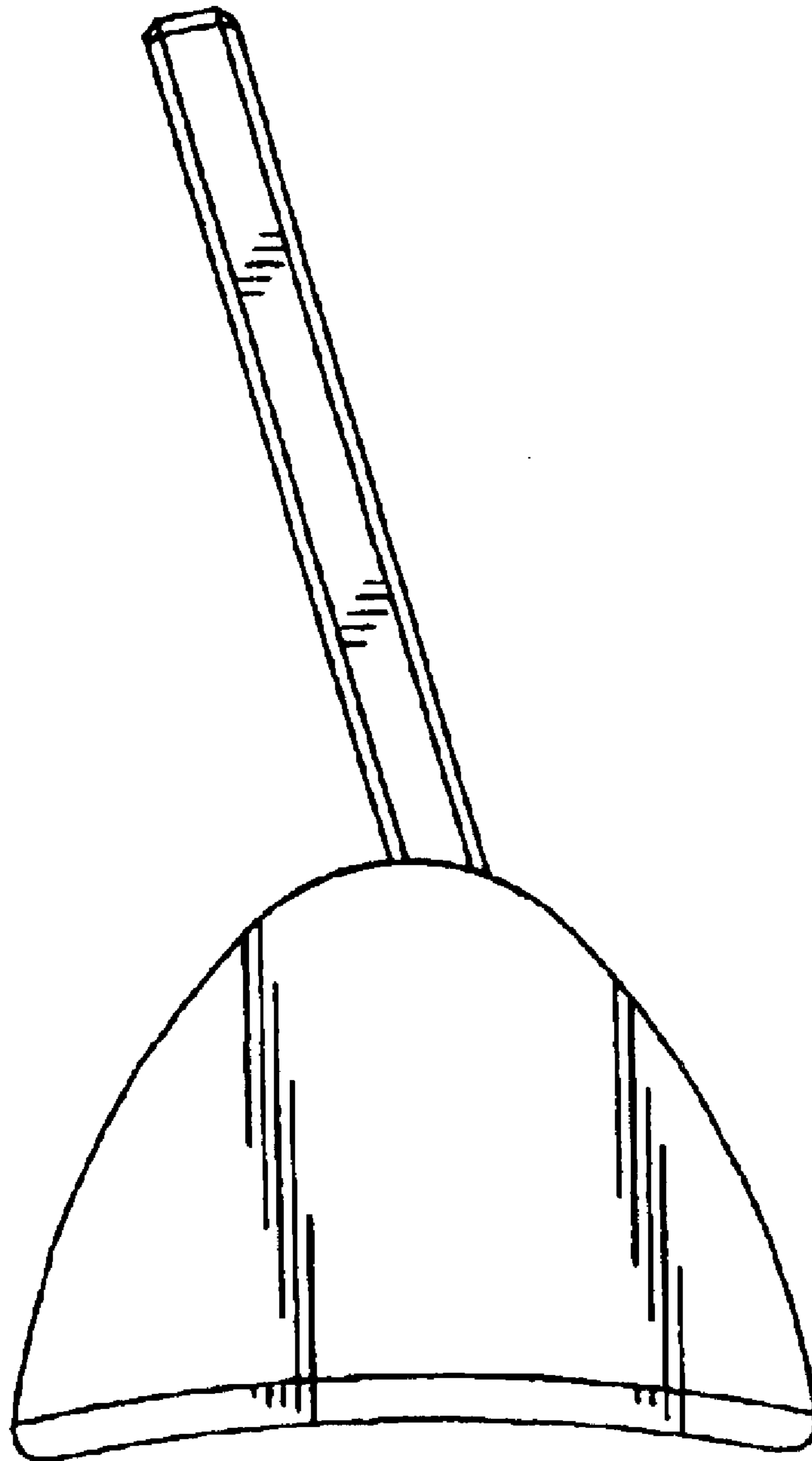


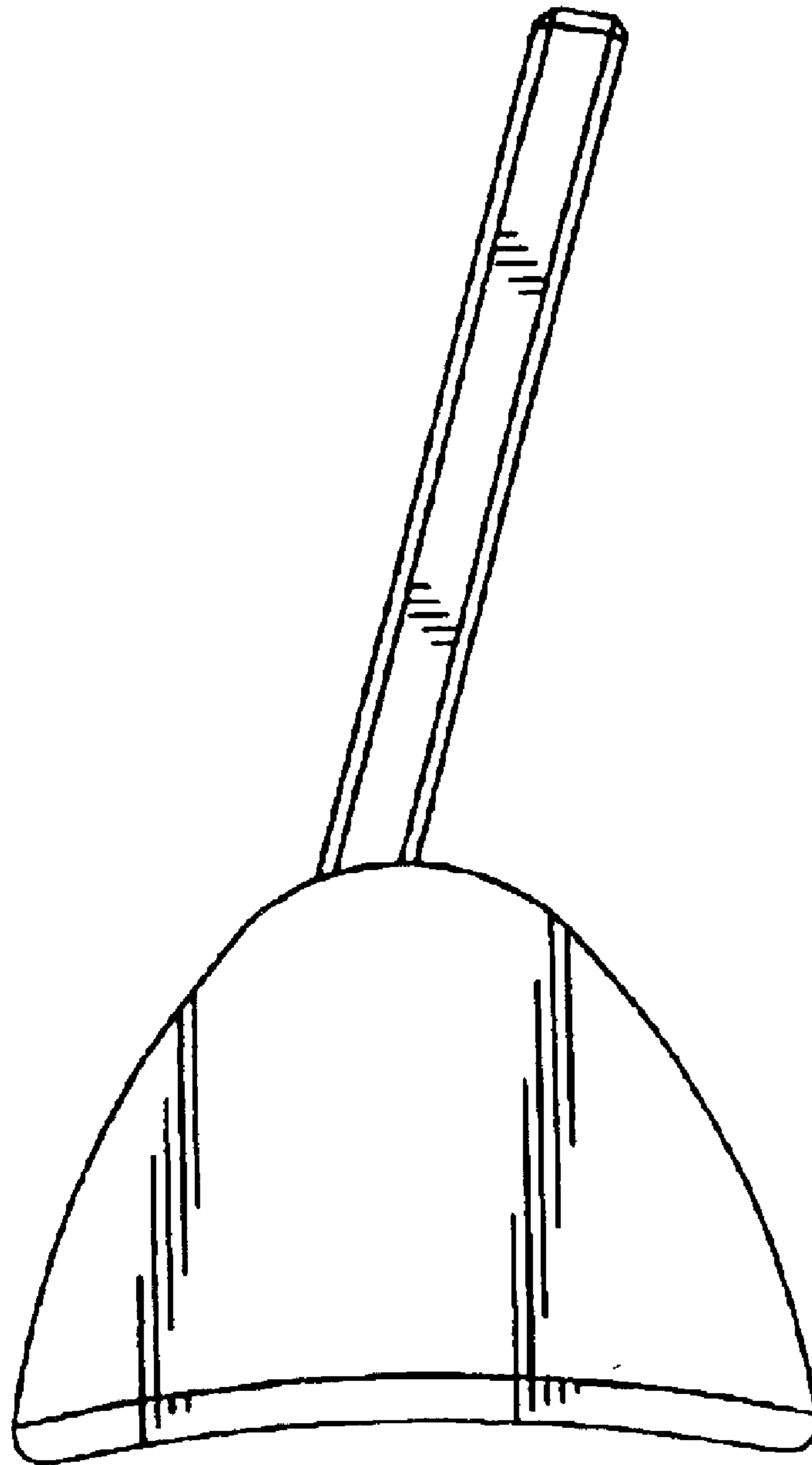
Fig. 2



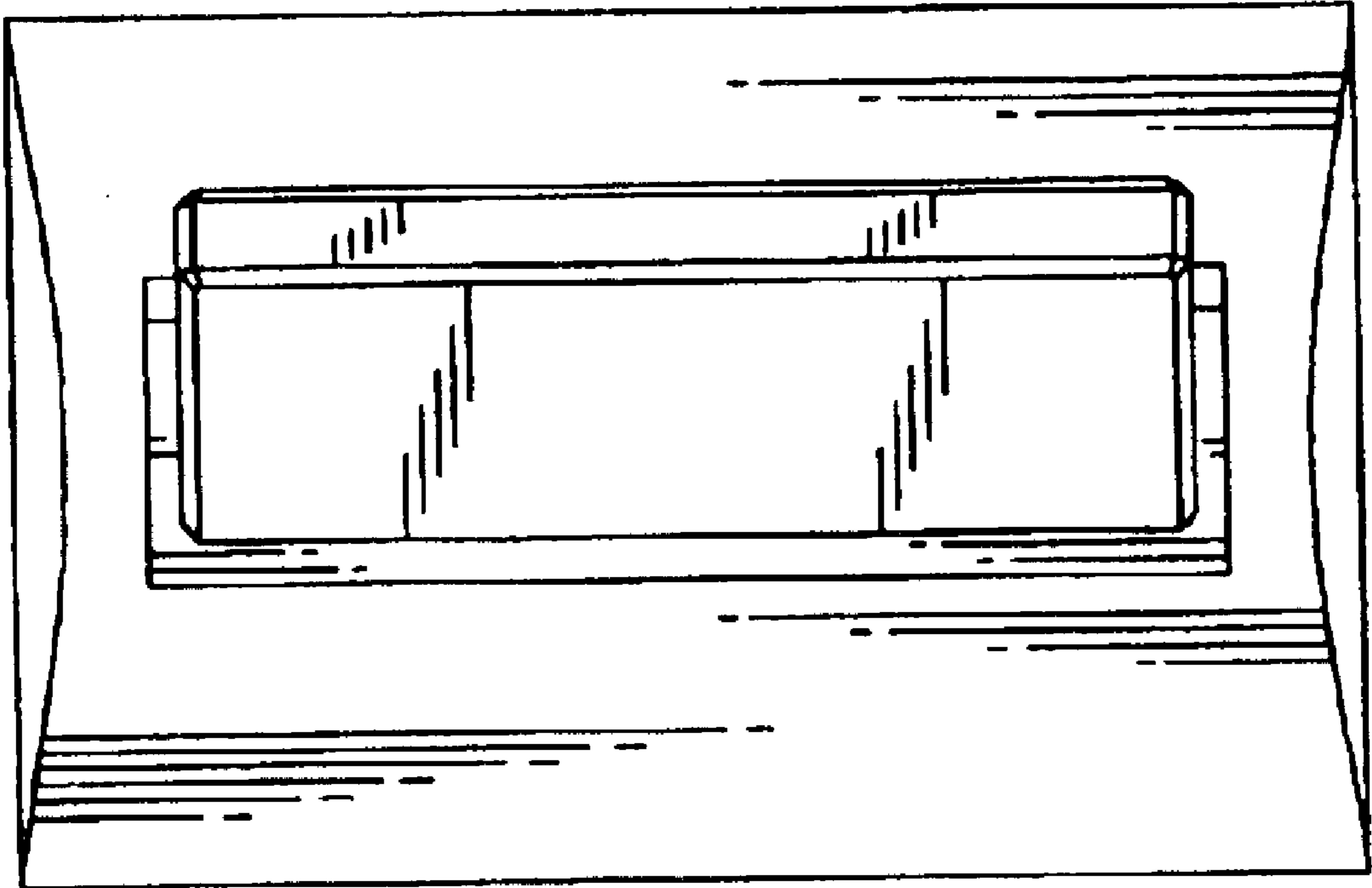
**Fig. 3**



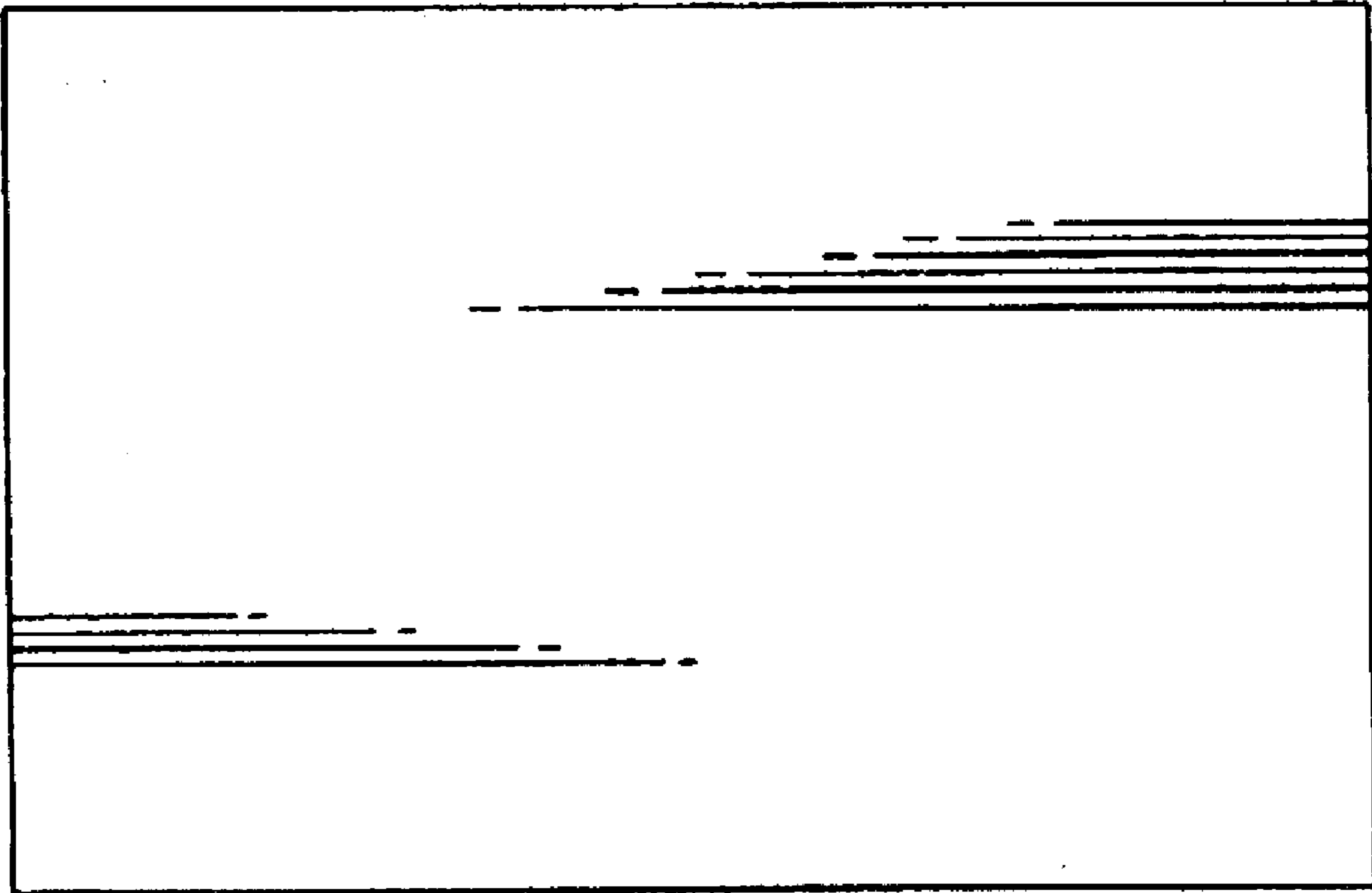
**Fig. 4**



**Fig. 5**



**Fig. 6**



**Fig. 7**