



US00D489982S

(12) **United States Design Patent**
Ueda et al.

(10) **Patent No.:** **US D489,982 S**

(45) **Date of Patent:** **** May 18, 2004**

(54) **CUSHIONING MATERIAL FOR PACKAGING**

(75) Inventors: **Yasushi Ueda, Suzuka (JP); Shigeo Katayama, Nishinomiya (JP)**

(73) Assignee: **Asahi Kasei Kabushiki Kaisha, Osaka (JP)**

(**) Term: **14 Years**

(21) Appl. No.: **29/188,355**

(22) Filed: **Aug. 19, 2003**

(30) **Foreign Application Priority Data**

Feb. 20, 2003 (JP) 2003-004002

(51) **LOC (7) Cl.** **09-07**

(52) **U.S. Cl.** **D9/456**

(58) **Field of Search** D9/499, 434, 456, D9/457; D34/38; 206/523, 453, 454, 193, 701, 724, 557, 506, 588, 591, 592, 814; 439/72, 330

(56) **References Cited**

U.S. PATENT DOCUMENTS

D221,071 S * 7/1971 Jolin D9/456
D257,425 S * 10/1980 Ross D9/457

D311,803 S * 10/1990 Murphy et al. D34/38
D315,508 S * 3/1991 Ross D9/457
5,584,717 A * 12/1996 Radde et al. 439/330
D411,746 S * 6/1999 Arima D9/456

* cited by examiner

Primary Examiner—Ian Simmons

Assistant Examiner—Gregory Andoll

(74) *Attorney, Agent, or Firm*—Birch, Stewart, Kolasch & Birch, LLP

(57) **CLAIM**

The ornamental design for a cushioning material for packaging, as shown and described.

DESCRIPTION

FIG. 1 is a perspective view of a cushioning material for packaging showing our new design, FIG. 2 is a front elevational view thereof, FIG. 3 is a right side elevational view thereof, FIG. 4 is a top plan view thereof; and, FIG. 5 is a bottom plan view thereof. Rear elevational view and left side elevational view are mirror image of front elevational view and right side elevational view respectively.

1 Claim, 2 Drawing Sheets

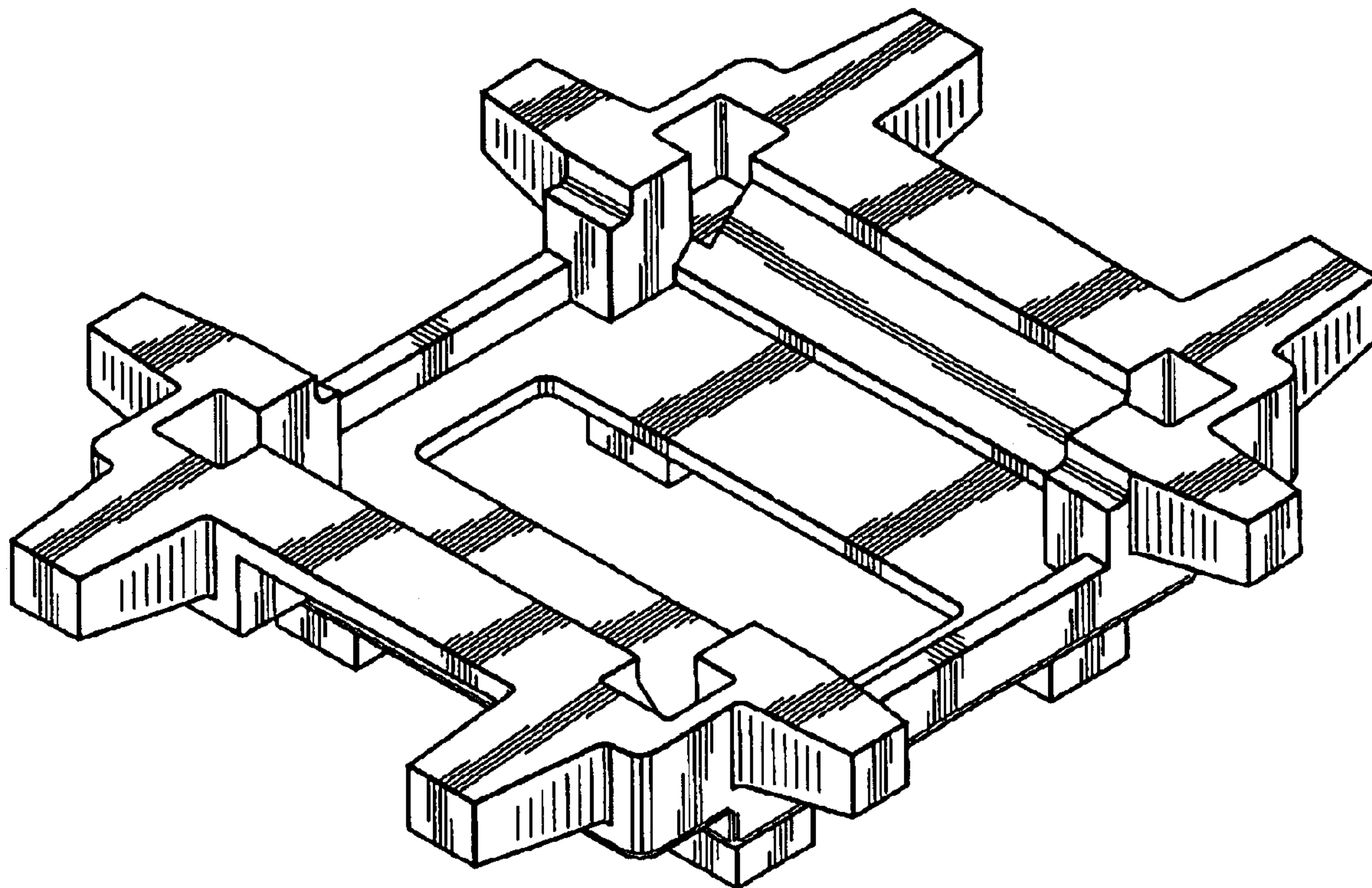


FIG. 1

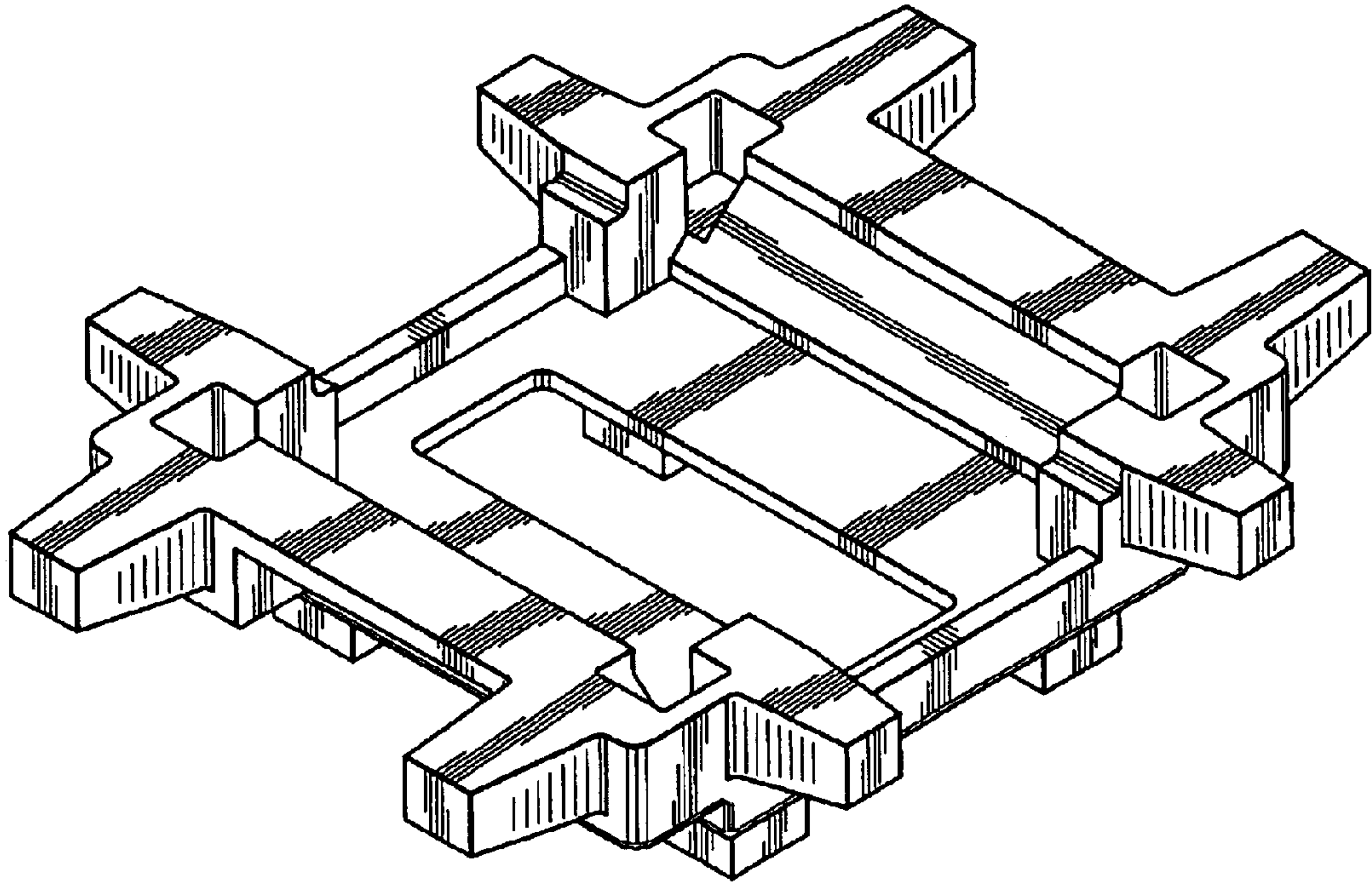


FIG. 2

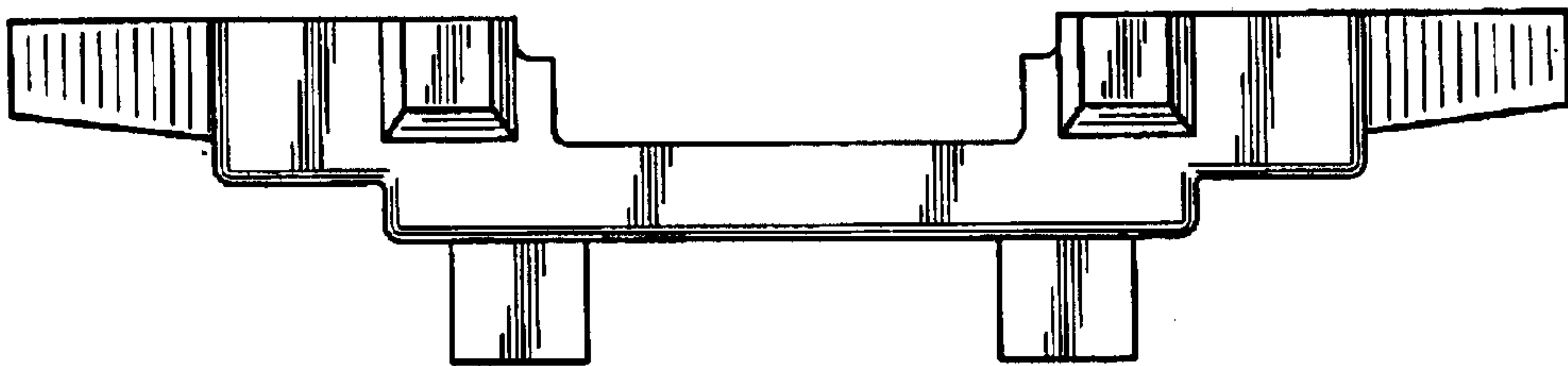


FIG. 3

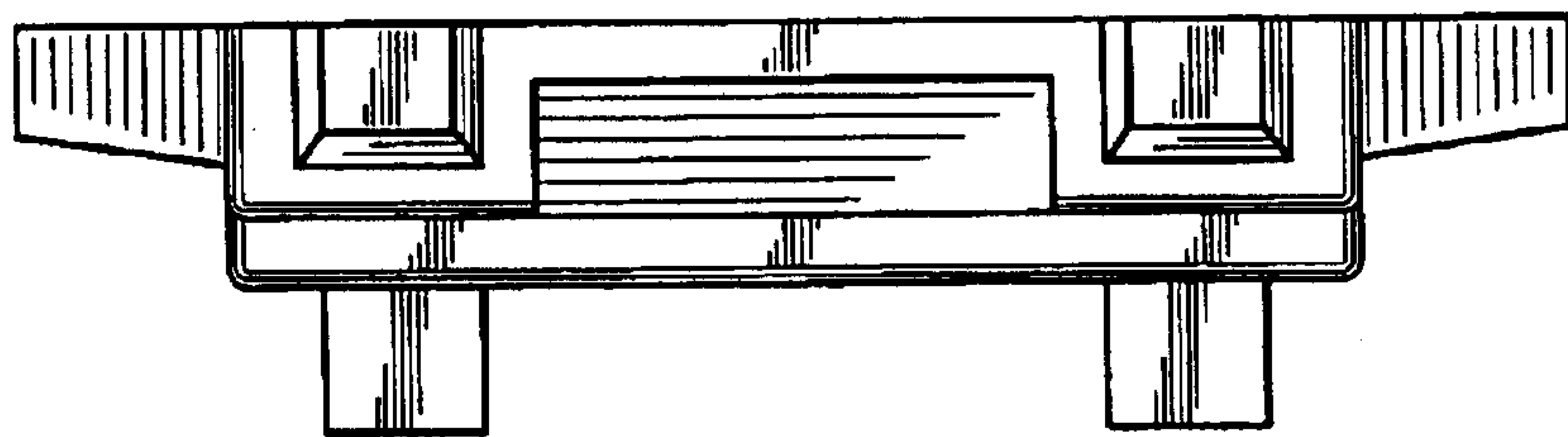


FIG. 4

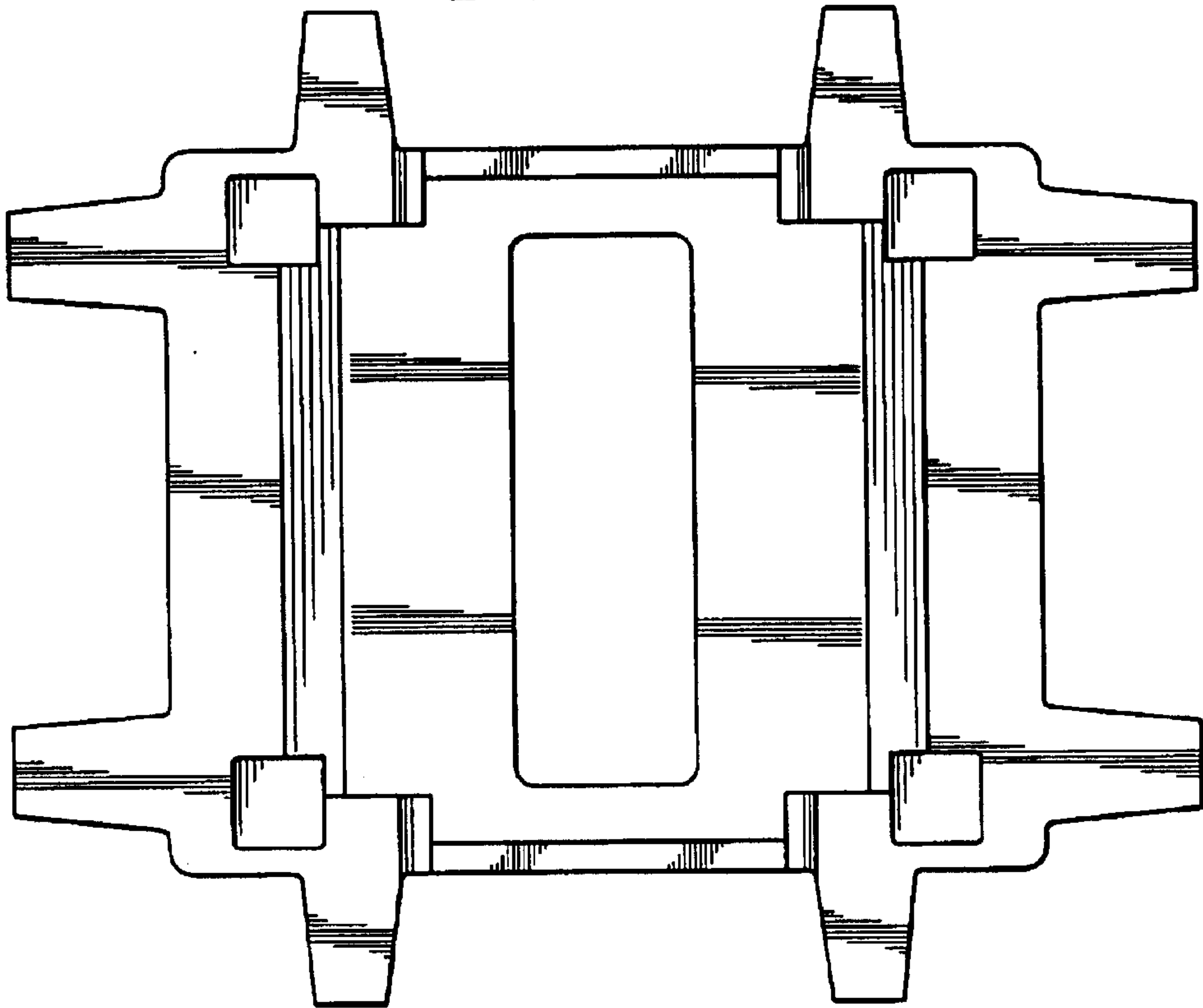


FIG. 5

