



US00D489981S

(12) **United States Design Patent**  
**Kuipers**

(10) **Patent No.:** **US D489,981 S**

(45) **Date of Patent:** **\*\* May 18, 2004**

(54) **EGG STACK DIVIDER BOARD**

5,827,068 A 10/1998 Sims ..... 414/795.6  
D453,871 S \* 2/2002 Perry ..... D34/38

(76) Inventor: **Kenneth J. Kuipers**, 721 Stone Crest Rd., New Holland, PA (US) 17557

\* cited by examiner

(\*\*) Term: **14 Years**

*Primary Examiner*—Louis S. Zarfes  
*Assistant Examiner*—Gregory Andoll  
(74) *Attorney, Agent, or Firm*—Martin Fruitman

(21) Appl. No.: **29/165,584**

(22) Filed: **Aug. 13, 2002**

(57) **CLAIM**

(51) **LOC (7) Cl.** ..... **09-07**

The ornamental design for an egg stack divider board, as shown and described.

(52) **U.S. Cl.** ..... **D9/456; D34/38**

(58) **Field of Search** ..... D9/418, 456; D34/38;  
206/386, 521.1, 26.5

**DESCRIPTION**

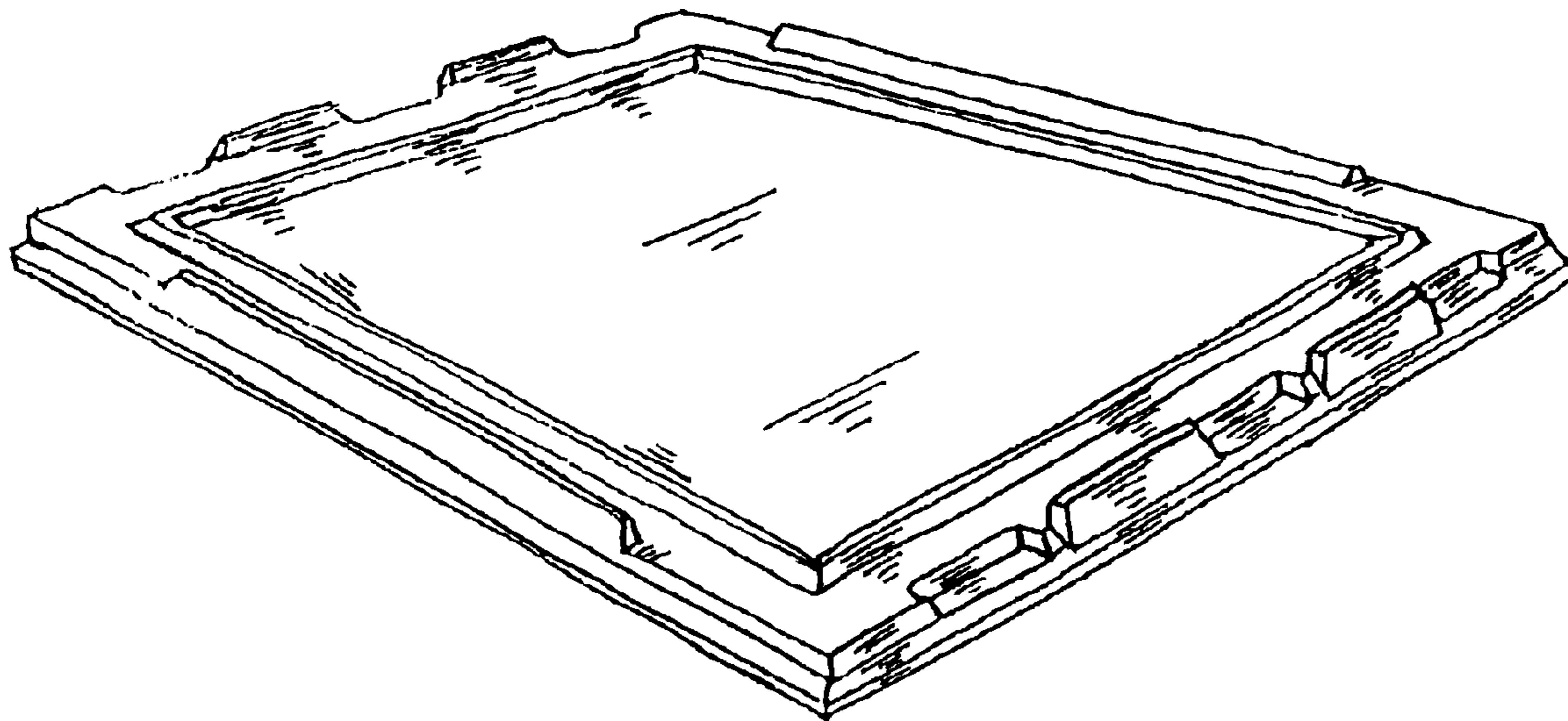
(56) **References Cited**

**U.S. PATENT DOCUMENTS**

2,266,483 A	*	12/1941	Way	.....	206/386
D269,695 S	*	7/1983	O'Neil, Jr.	.....	D9/418
D279,617 S	*	7/1985	Helmer	.....	D34/38
5,205,410 A		4/1993	Kuipers et al.	.....	206/386
D349,798 S	*	8/1994	Hude et al.	.....	D34/28
5,694,836 A		12/1997	Blevins	.....	99/517
5,816,406 A		10/1998	Jupille et al.	.....	206/561

FIG. 1 is a perspective view of an egg stack divider board showing my new design;  
FIG. 2 is a top plan view of the egg stack divider board;  
FIG. 3 is a bottom plan view of the egg stack divider board;  
FIG. 4 is a front side elevational view of the egg stack divider board, the rear side view being identical thereto; and,  
FIG. 5 is a right side elevational view of the egg stack divider board, the left side view being identical thereto.

**1 Claim, 4 Drawing Sheets**



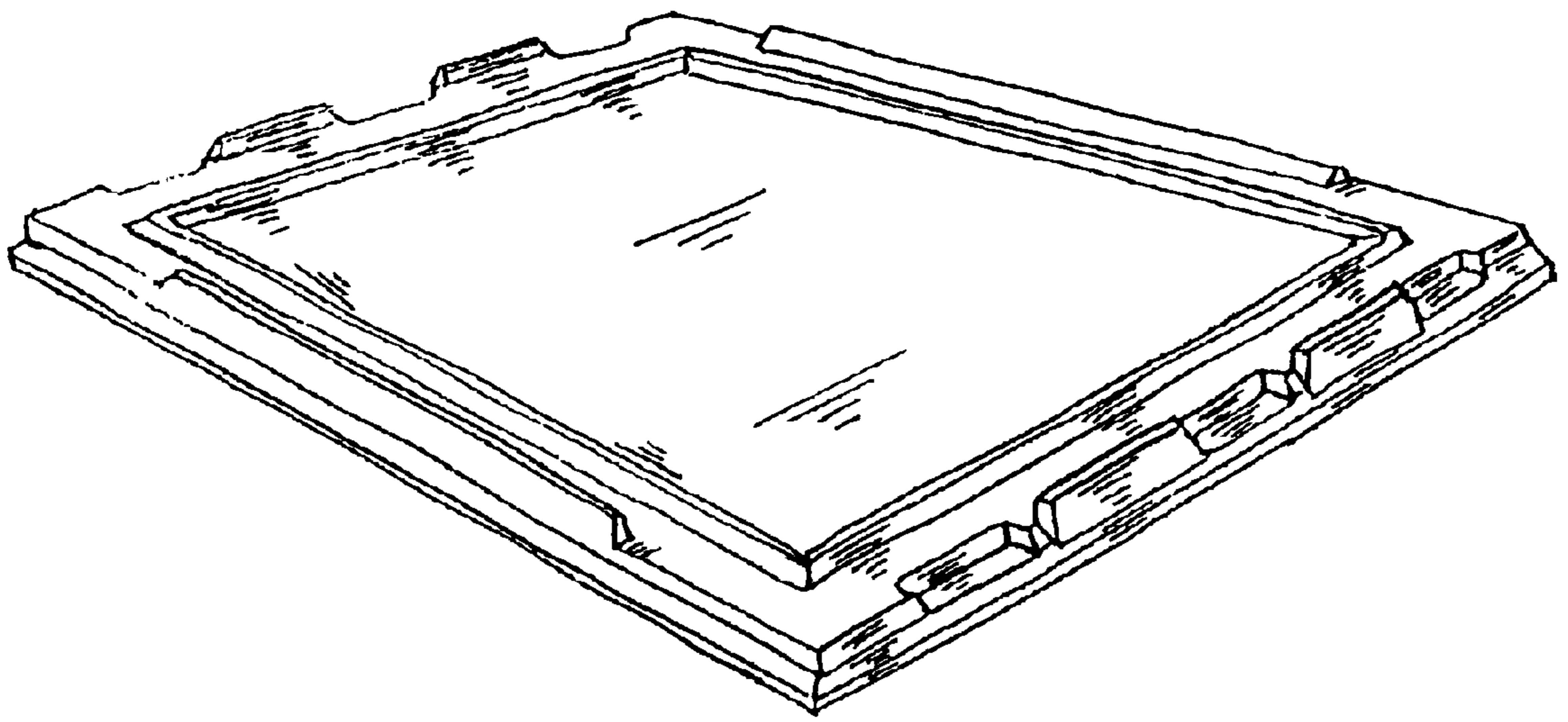


FIG. 1

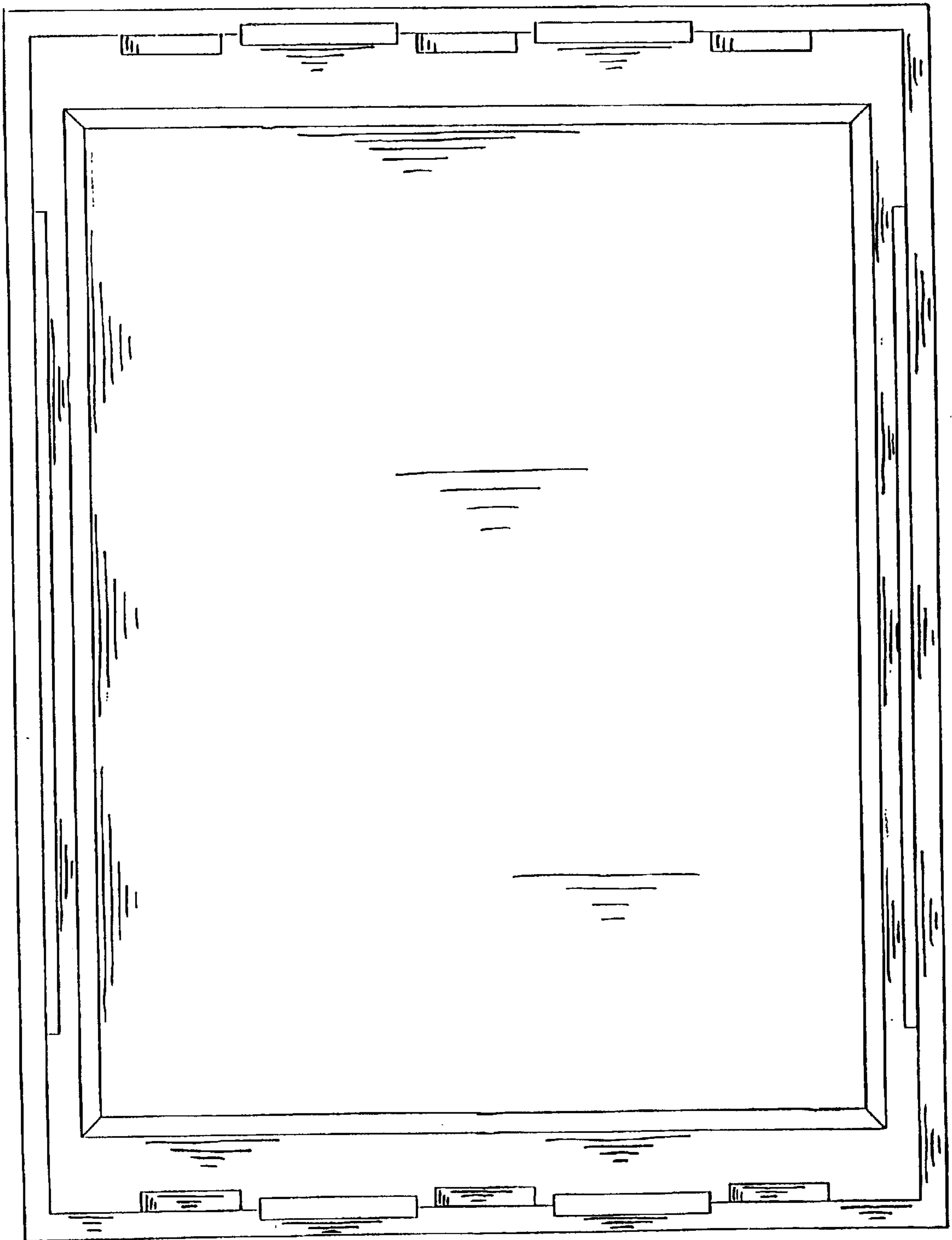


FIG. 2

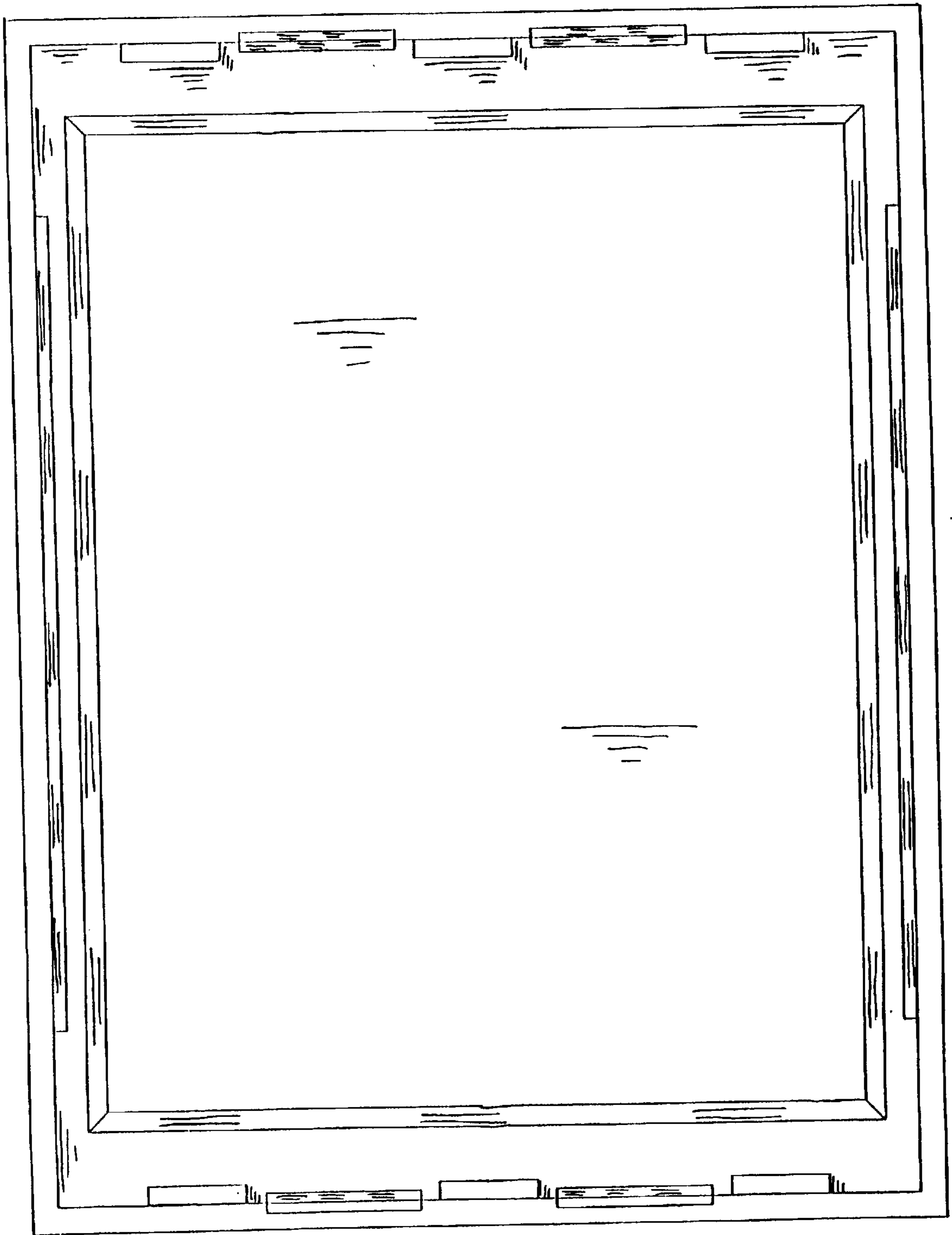


FIG. 3.

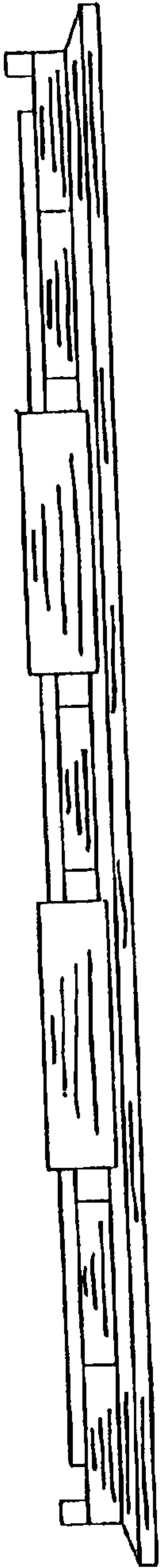


FIG. 4



FIG. 5