



US00D489978S

(12) **United States Design Patent**
Brown

(10) **Patent No.:** **US D489,978 S**

(45) **Date of Patent:** **** May 18, 2004**

(54) **CONTAINER SPOUT**

6,000,848 A * 12/1999 Massioui 383/80
D476,565 S * 7/2003 Rosen D9/447

(75) Inventor: **Dennis B. Brown**, Logan, UT (US)

* cited by examiner

(73) Assignee: **Nalgae Nunc International Corporation**, Rochester, NY (US)

Primary Examiner—Louis S. Zarfes
Assistant Examiner—Gregory Andoll

(**) Term: **14 Years**

(74) *Attorney, Agent, or Firm*—Holme Roberts & Owen LLP

(21) Appl. No.: **29/179,717**

(57) **CLAIM**

(22) Filed: **Apr. 11, 2003**

The ornamental design for a container spout, as shown and described.

(51) **LOC (7) Cl.** **09-07**

DESCRIPTION

(52) **U.S. Cl.** **D9/440; D9/447; D9/443**

(58) **Field of Search** D9/434, 305, 435,
D9/440, 447, 443; D24/129; 222/464.1,
601, 464.3; 383/904, 906, 80

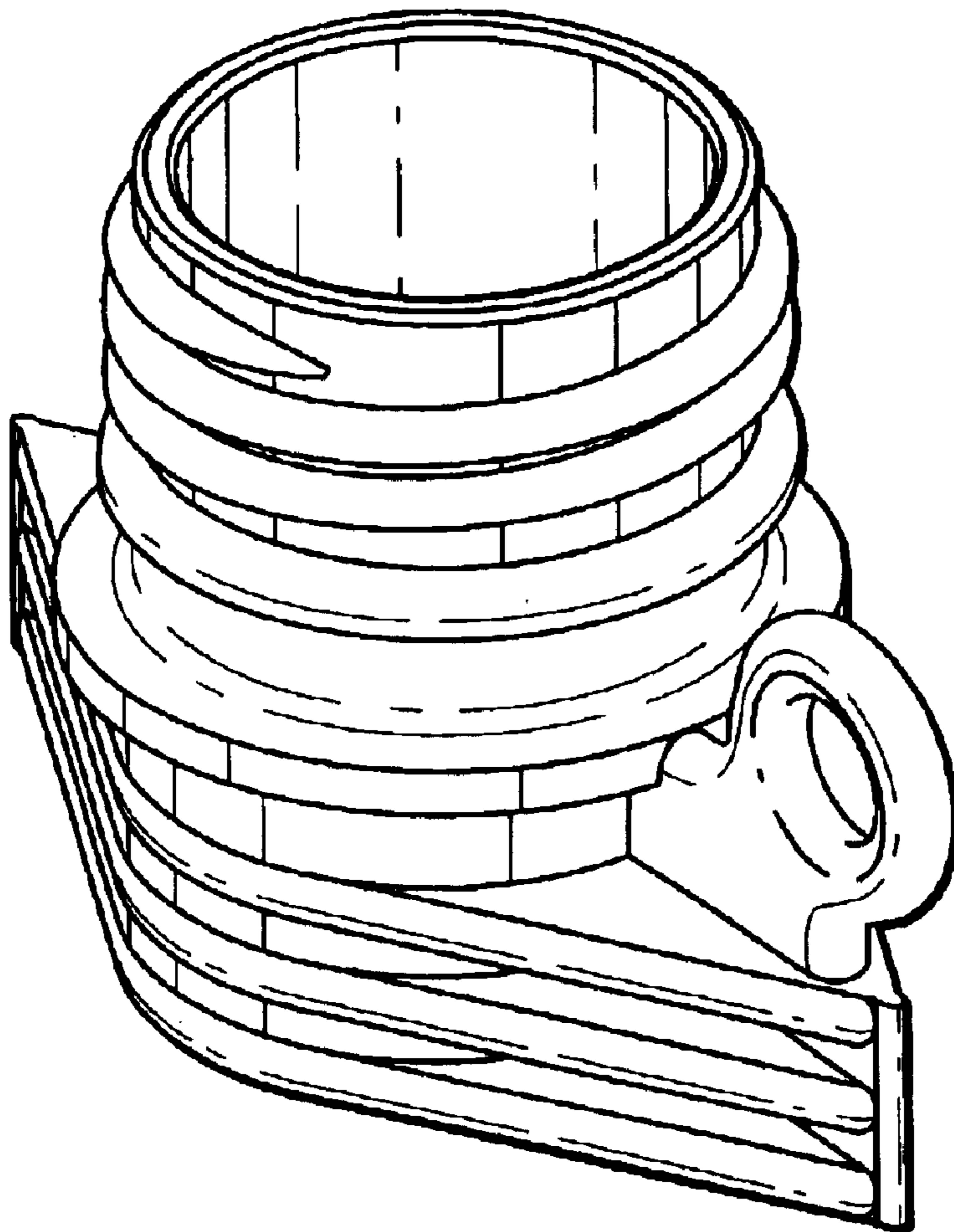
FIG. 1 is a front perspective view of a container spout showing our new design;
FIG. 2 is one side view thereof;
FIG. 3 is another side view thereof;
FIG. 4 is a back side view thereof;
FIG. 5 is a front side view thereof;
FIG. 6 is a top view thereof; and,
FIG. 7 is a bottom view thereof.

(56) **References Cited**

U.S. PATENT DOCUMENTS

D273,368 S * 4/1984 Hayes D9/434
5,823,383 A * 10/1998 Hins 220/601
D410,845 S * 6/1999 Anderson D9/440

1 Claim, 3 Drawing Sheets



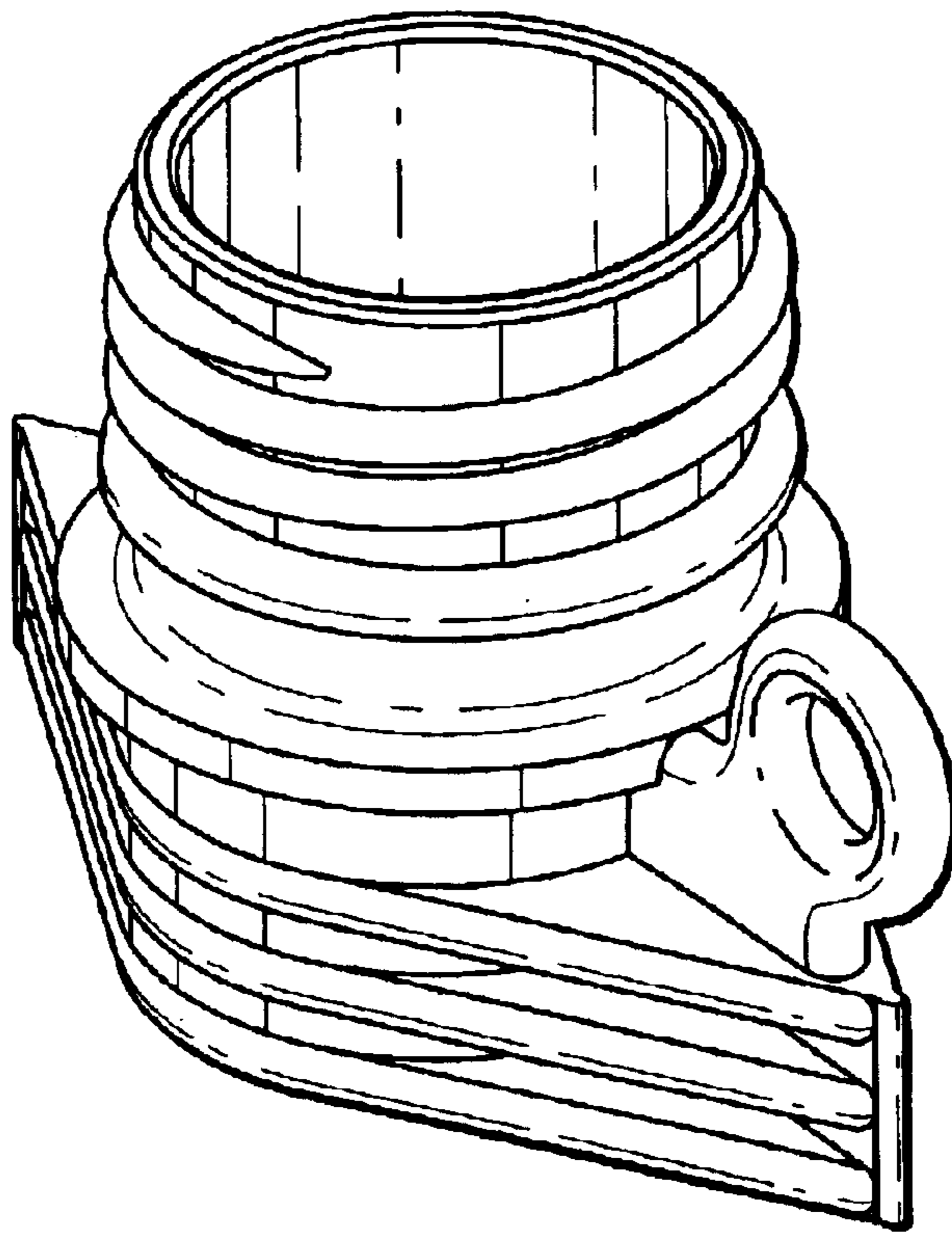


Fig. 1

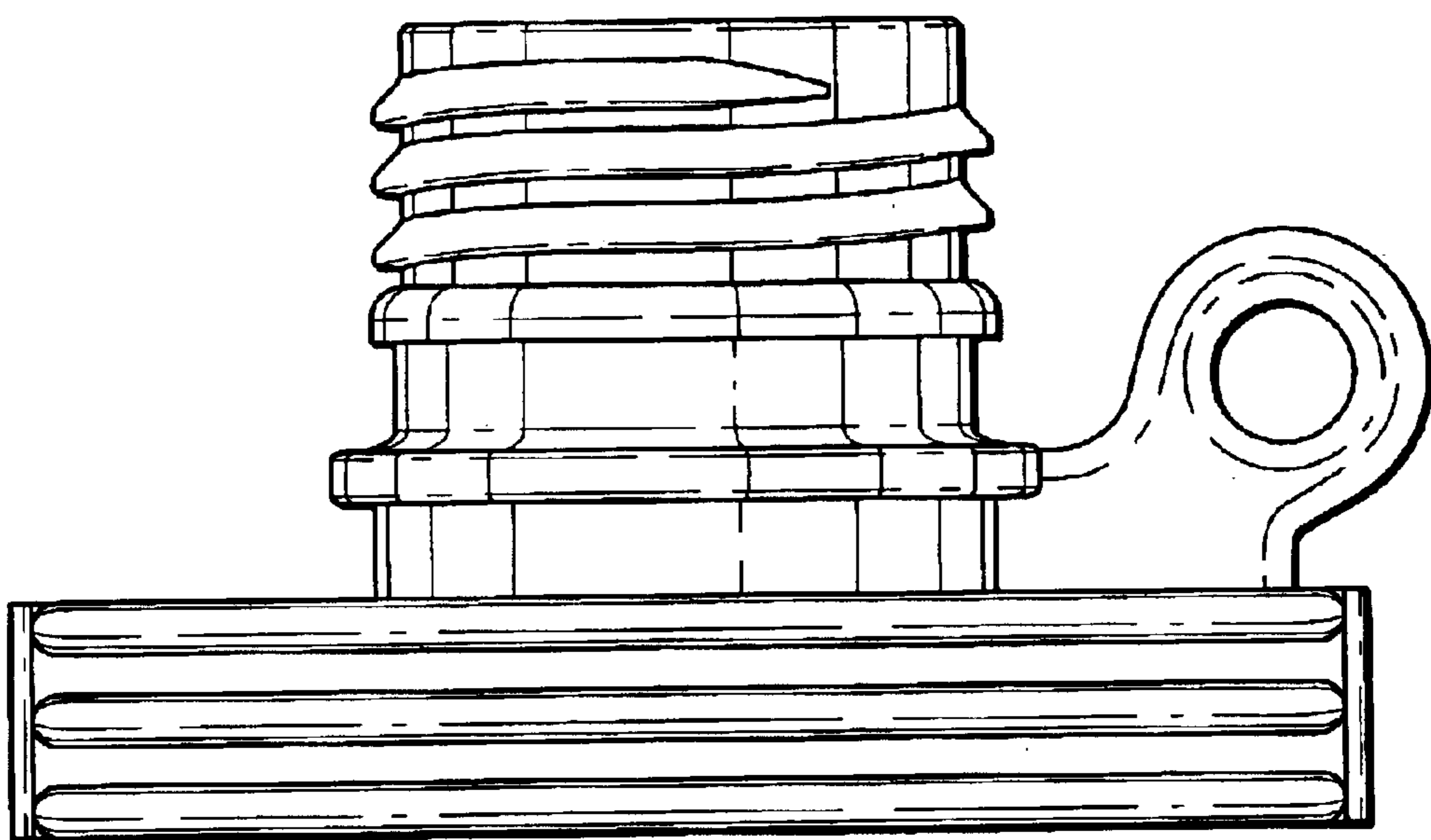


Fig. 2

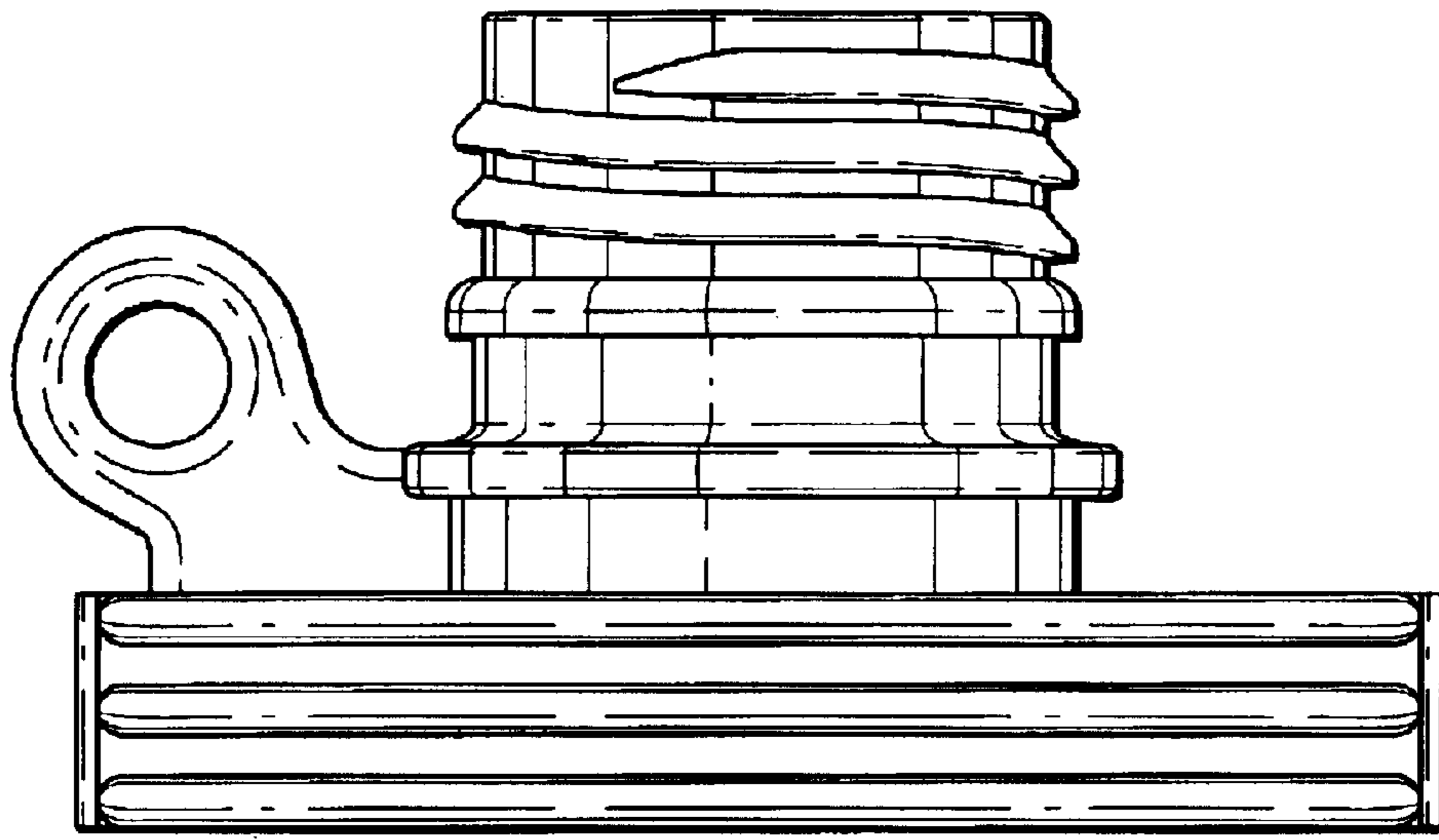


Fig. 3

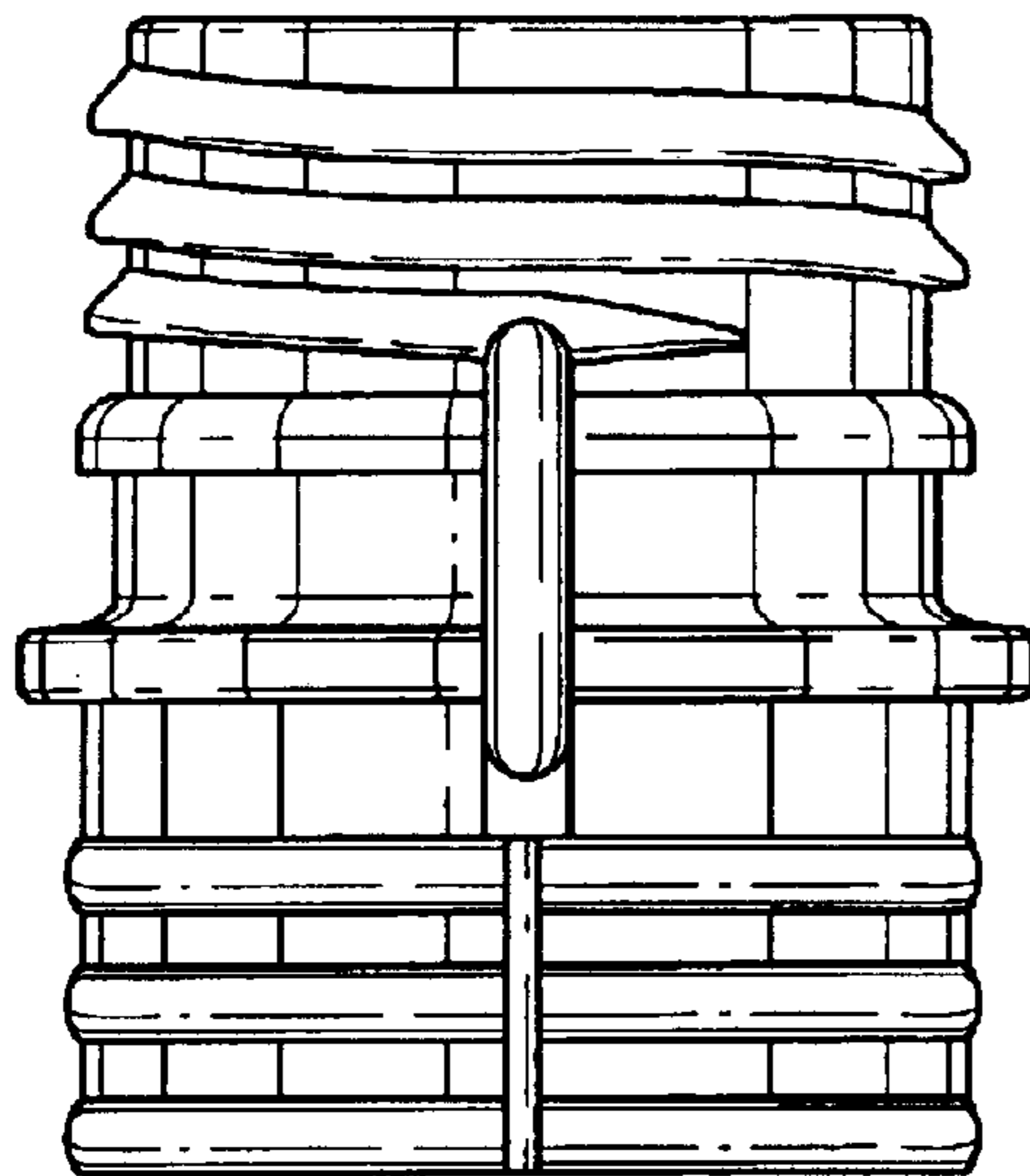


Fig. 4

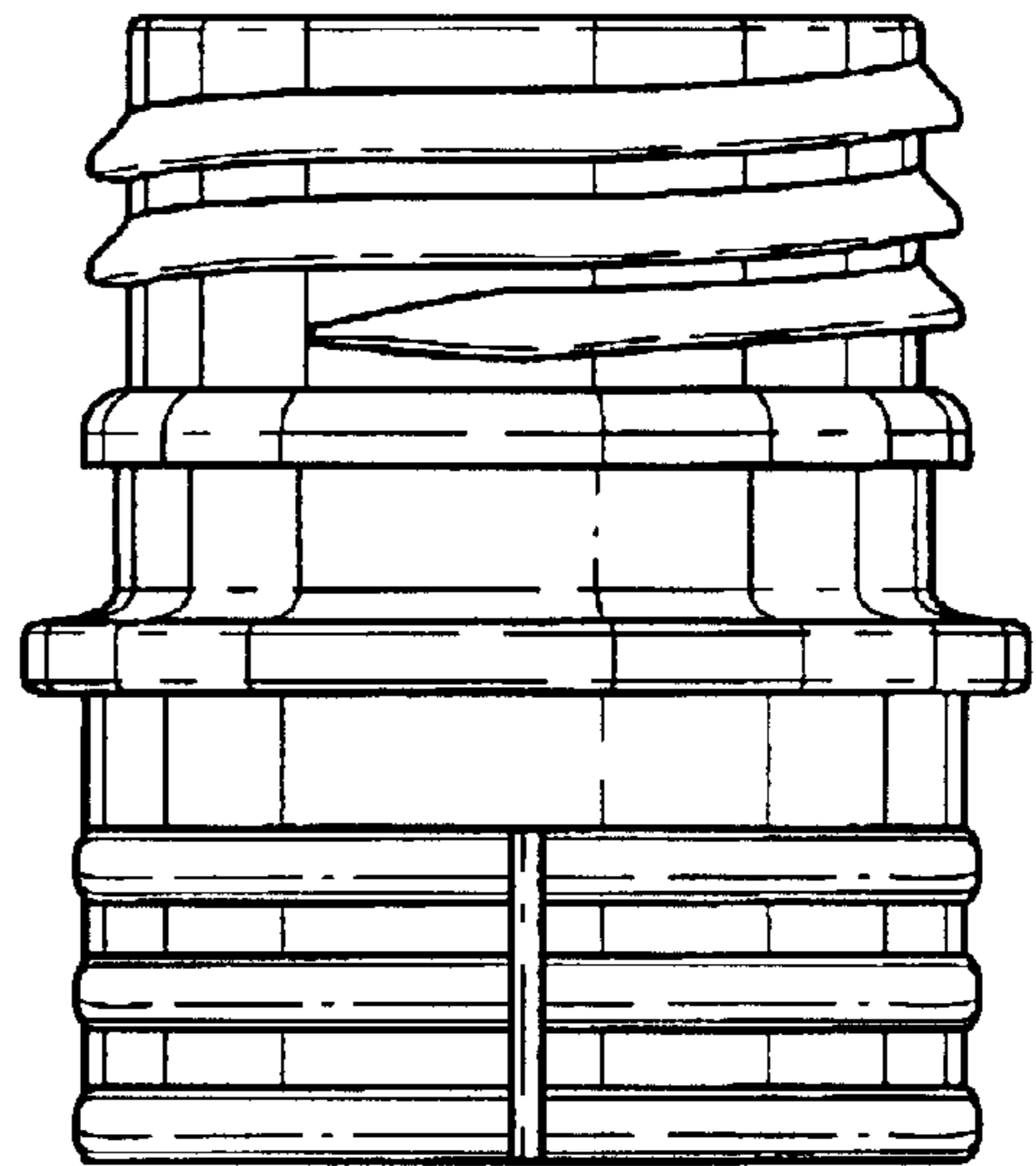


Fig. 5

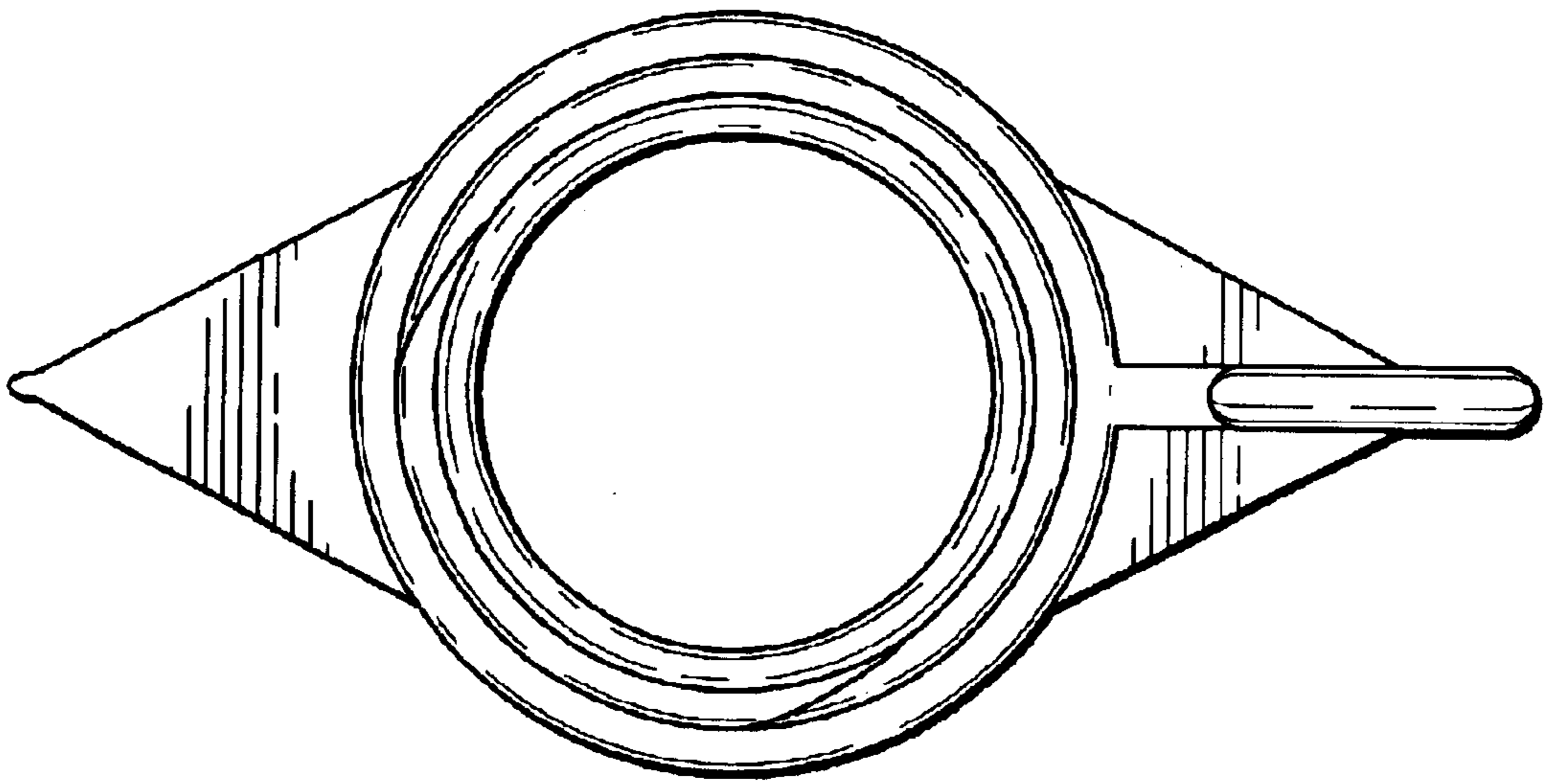


Fig. 6

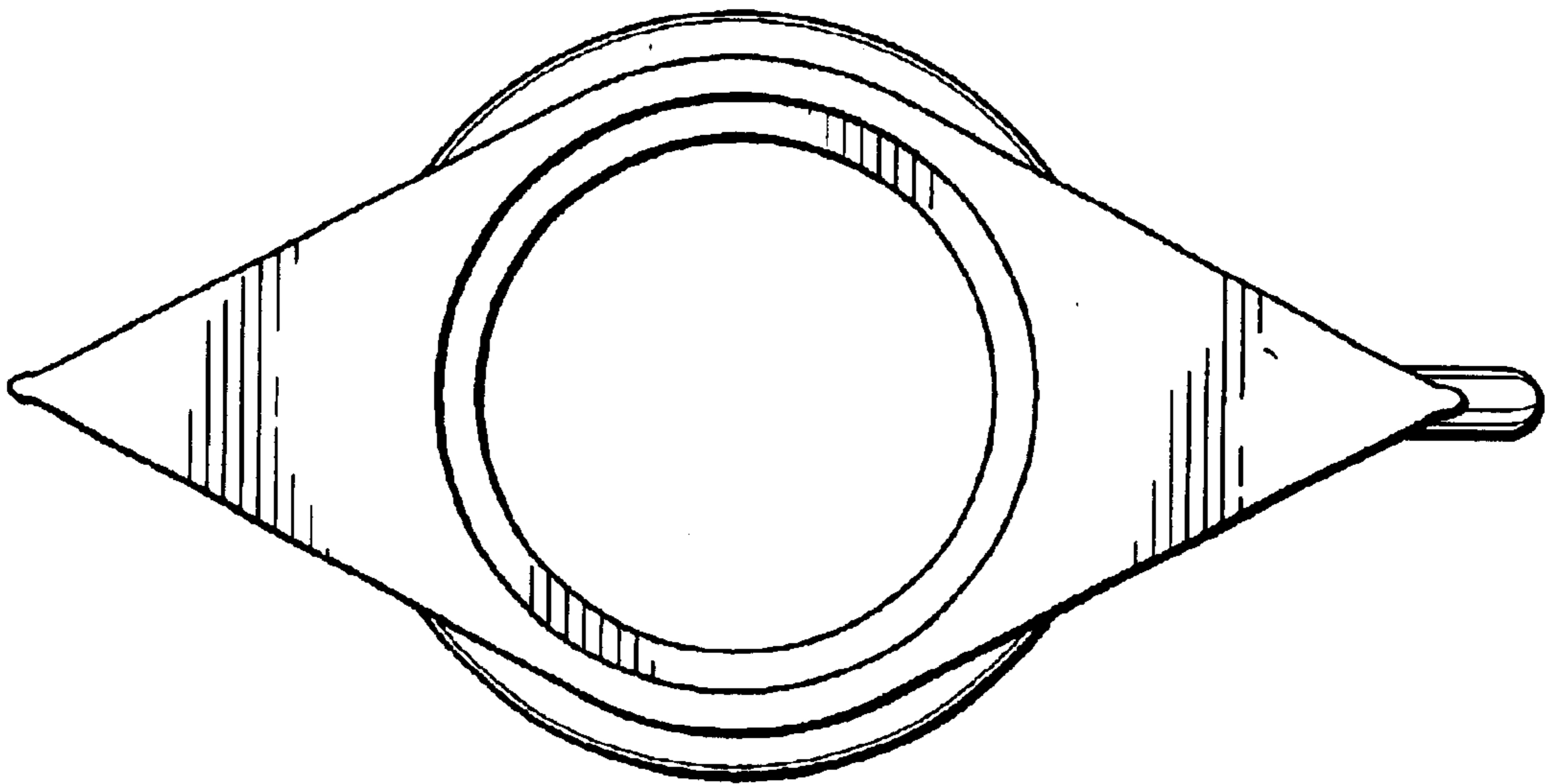


Fig. 7