



US00D489976S

(12) **United States Design Patent**  
**Whitney**

(10) **Patent No.:** **US D489,976 S**

(45) **Date of Patent:** **\*\* May 18, 2004**

(54) **LIFTING GRIP**

(76) Inventor: **Denzil E. Whitney**, 643 Rio Vista,  
Napa, CA (US) 94558

(\*\*) Term: **14 Years**

(21) Appl. No.: **29/166,903**

(22) Filed: **Sep. 4, 2002**

(51) **LOC (7) Cl.** ..... **09-07**

(52) **U.S. Cl.** ..... **D9/434; D9/499; D9/455**

(58) **Field of Search** ..... D9/455, 434, 499;  
D8/300, 307; D3/246; 294/137, 170, 171,  
15, 25, 27.1

(56) **References Cited**

**U.S. PATENT DOCUMENTS**

|              |   |         |                 |       |        |
|--------------|---|---------|-----------------|-------|--------|
| D329,973 S   | * | 10/1992 | Schuttinga      | ..... | D9/434 |
| D384,279 S   | * | 9/1997  | Hepworth        | ..... | D9/434 |
| 6,082,794 A  |   | 7/2000  | Whitney         |       |        |
| D436,036 S   | * | 1/2001  | Manseau et al.  | ..... | D9/434 |
| 6,217,091 B1 |   | 4/2001  | Whitney         |       |        |
| D448,992 S   | * | 10/2001 | Bargsten et al. | ..... | D9/434 |

\* cited by examiner

*Primary Examiner*—Louis S. Zarfaz

*Assistant Examiner*—Gregory Andoll

(74) *Attorney, Agent, or Firm*—Coudert Brothers LLP

(57) **CLAIM**

I claim the ornamental design for a lifting grip, as shown and described.

**DESCRIPTION**

Preferably the lifting grip is used for lifting bulky materials, boxes and cartons.

FIG. 1 is an lower left front perspective view of a lifting grip;

FIG. 2 is an upper right rear perspective view of the lifting grip;

FIG. 3 is a front elevational view thereof;

FIG. 4 is a right side elevational view of the lifting grip the left side being a mirrorimage thereof;

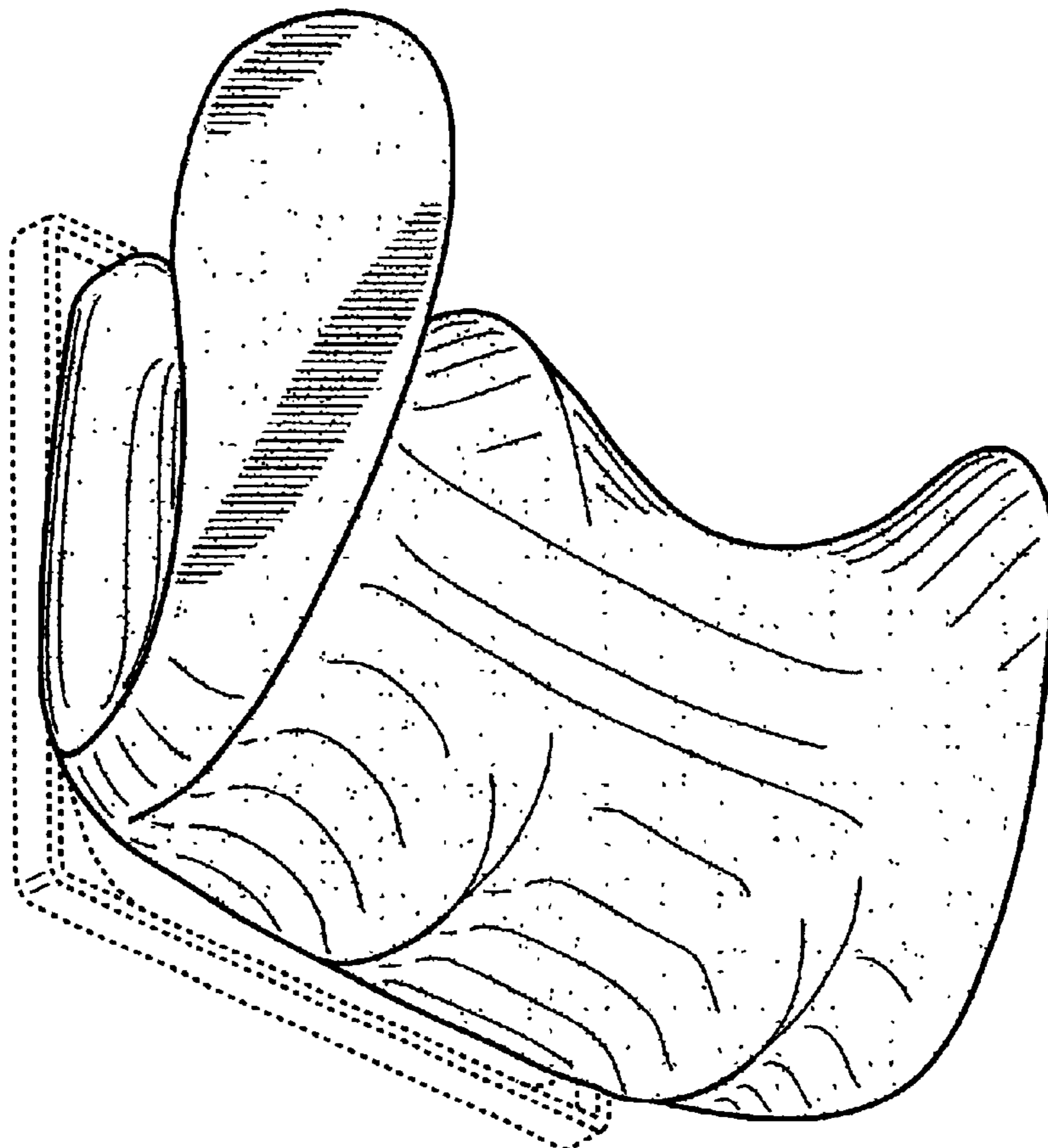
FIG. 5 is a rear elevational view thereof;

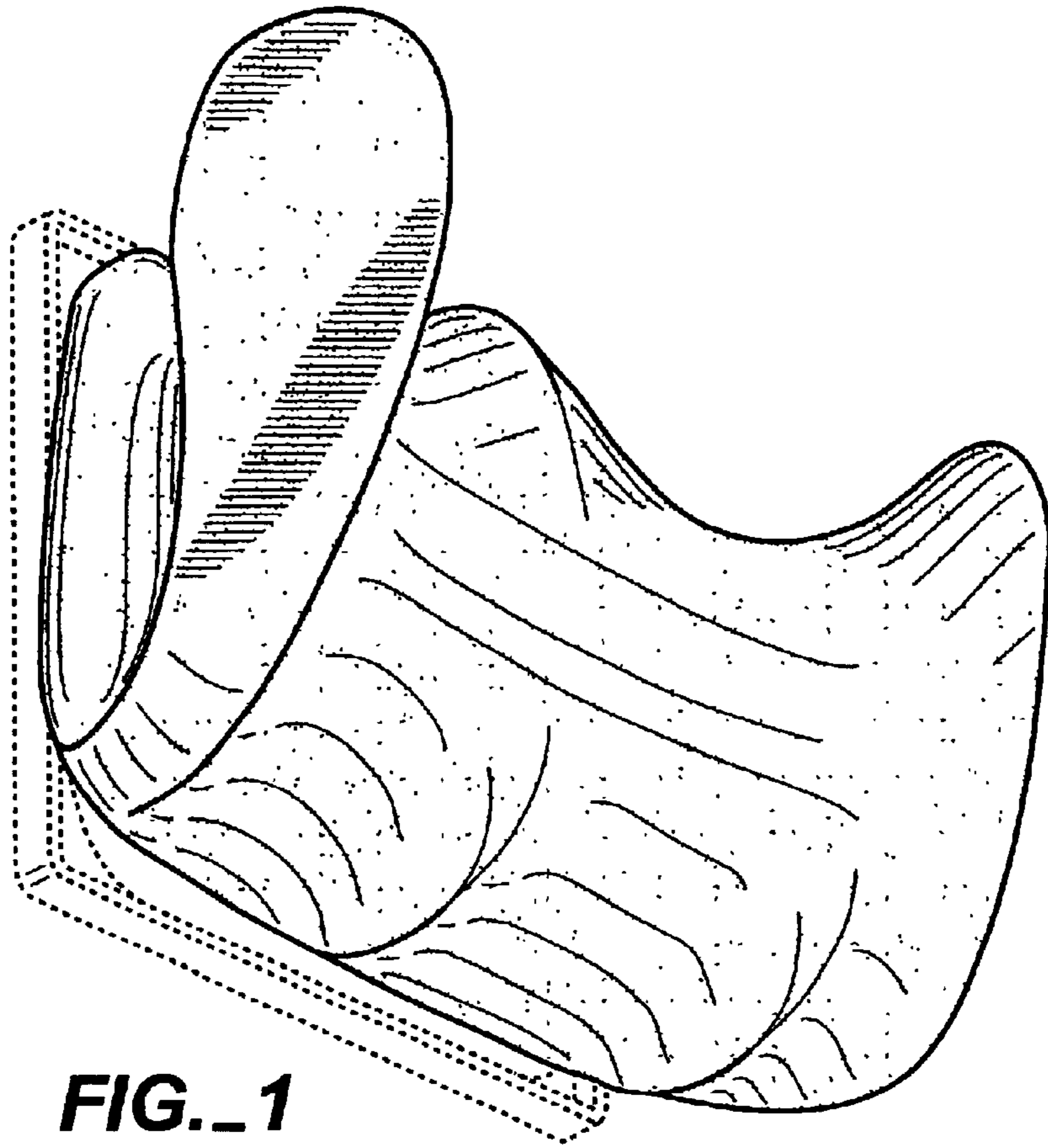
FIG. 6 is a top plan view thereof; and,

FIG. 7 is a bottom plan view thereof with the unclaimed portion removed.

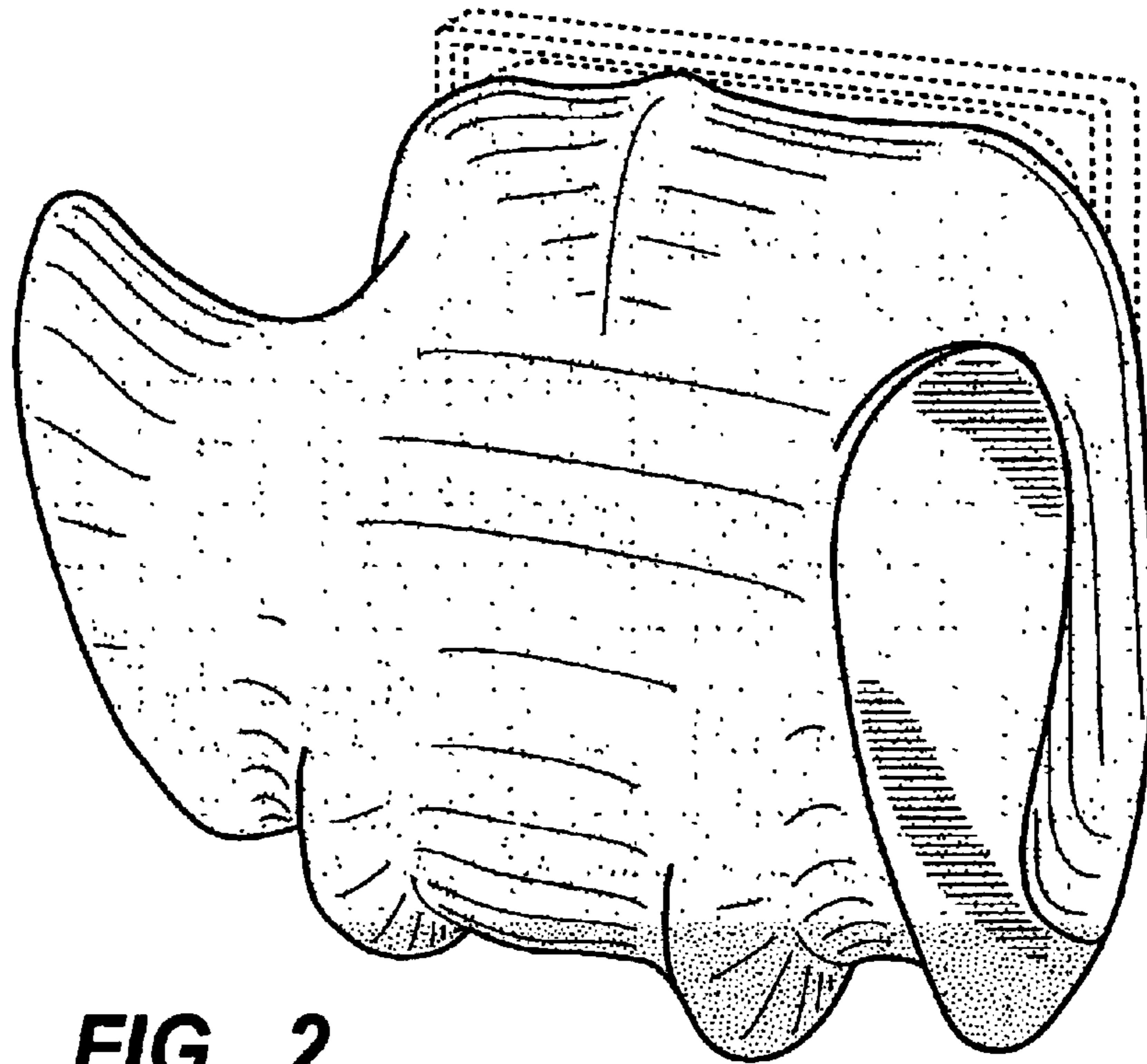
The broken lines are for environmental purposes only and merely represent an array of projections attached to a fastening portion to which the lifting grip, having the design shown and described, is attached and form no part of the claimed design.

**1 Claim, 4 Drawing Sheets**

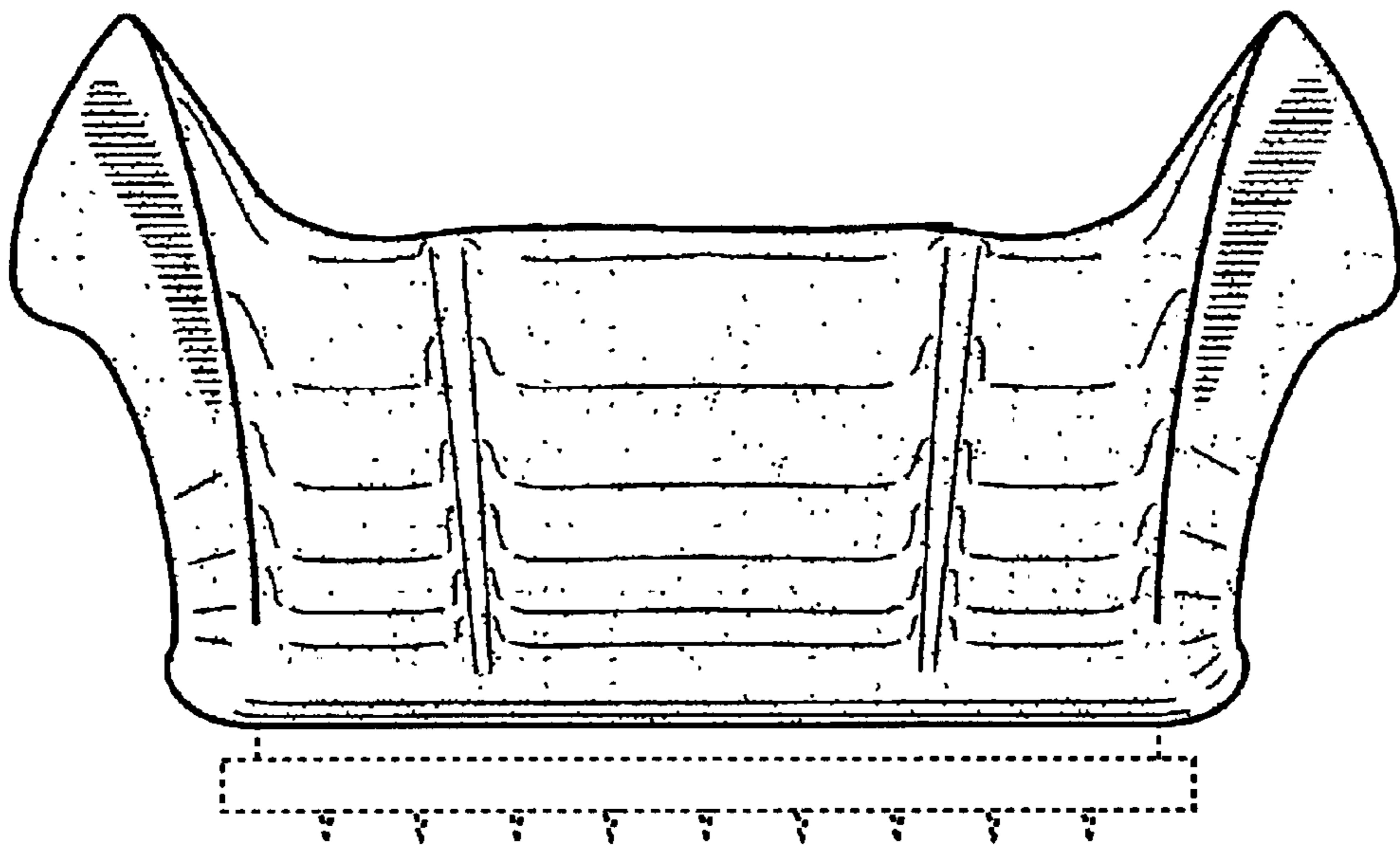




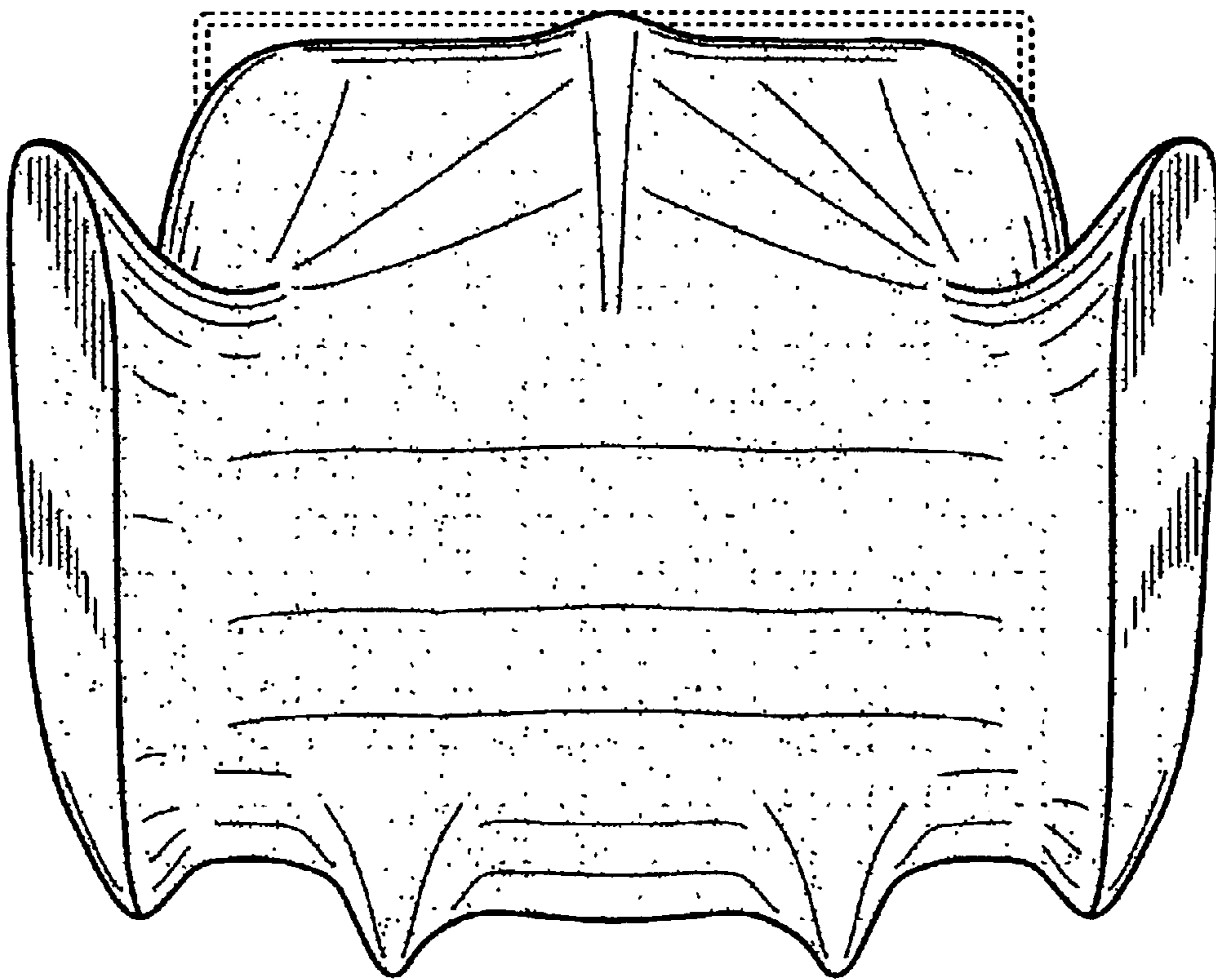
**FIG. 1**



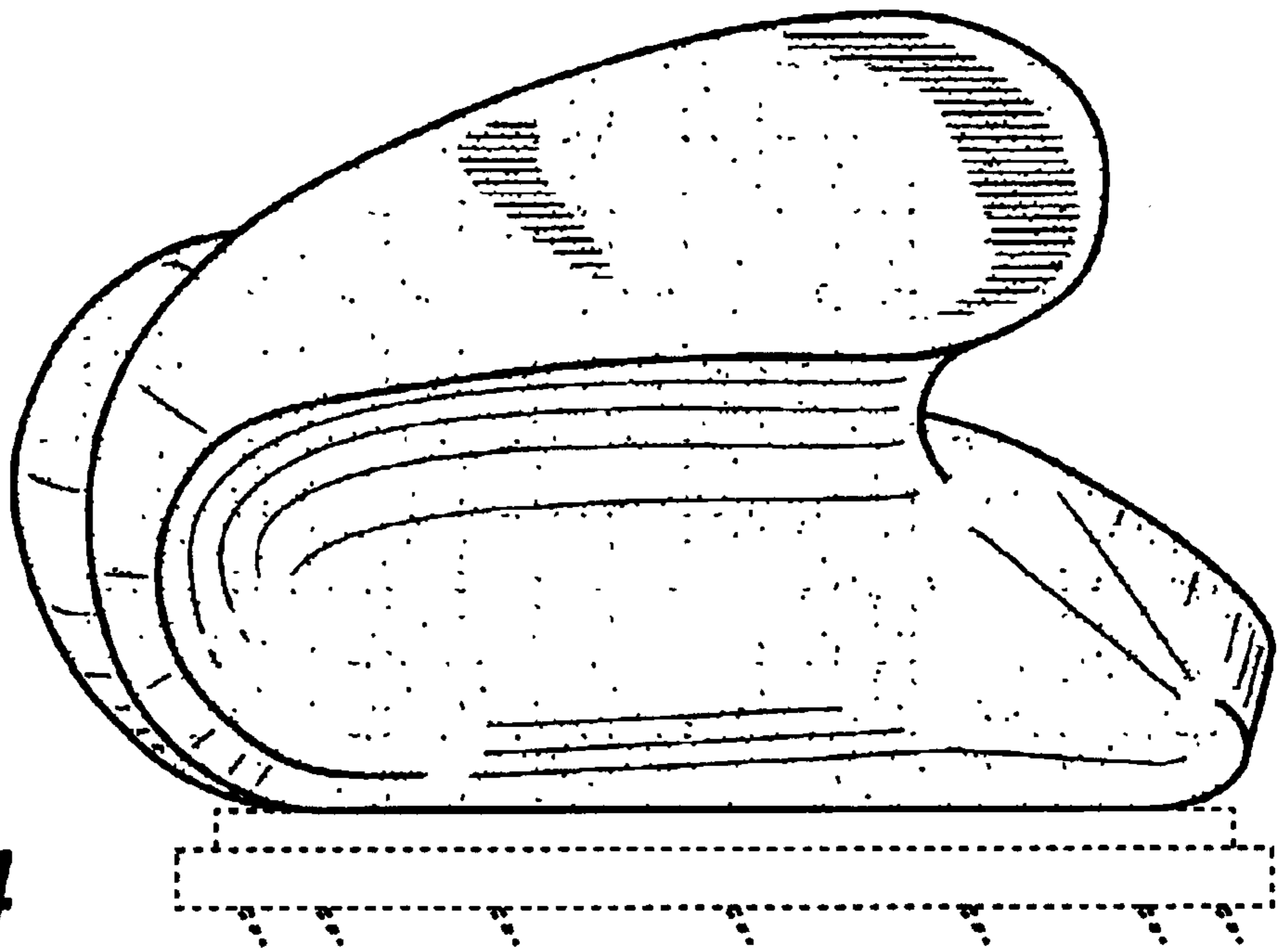
**FIG. 2**



**FIG.\_3**

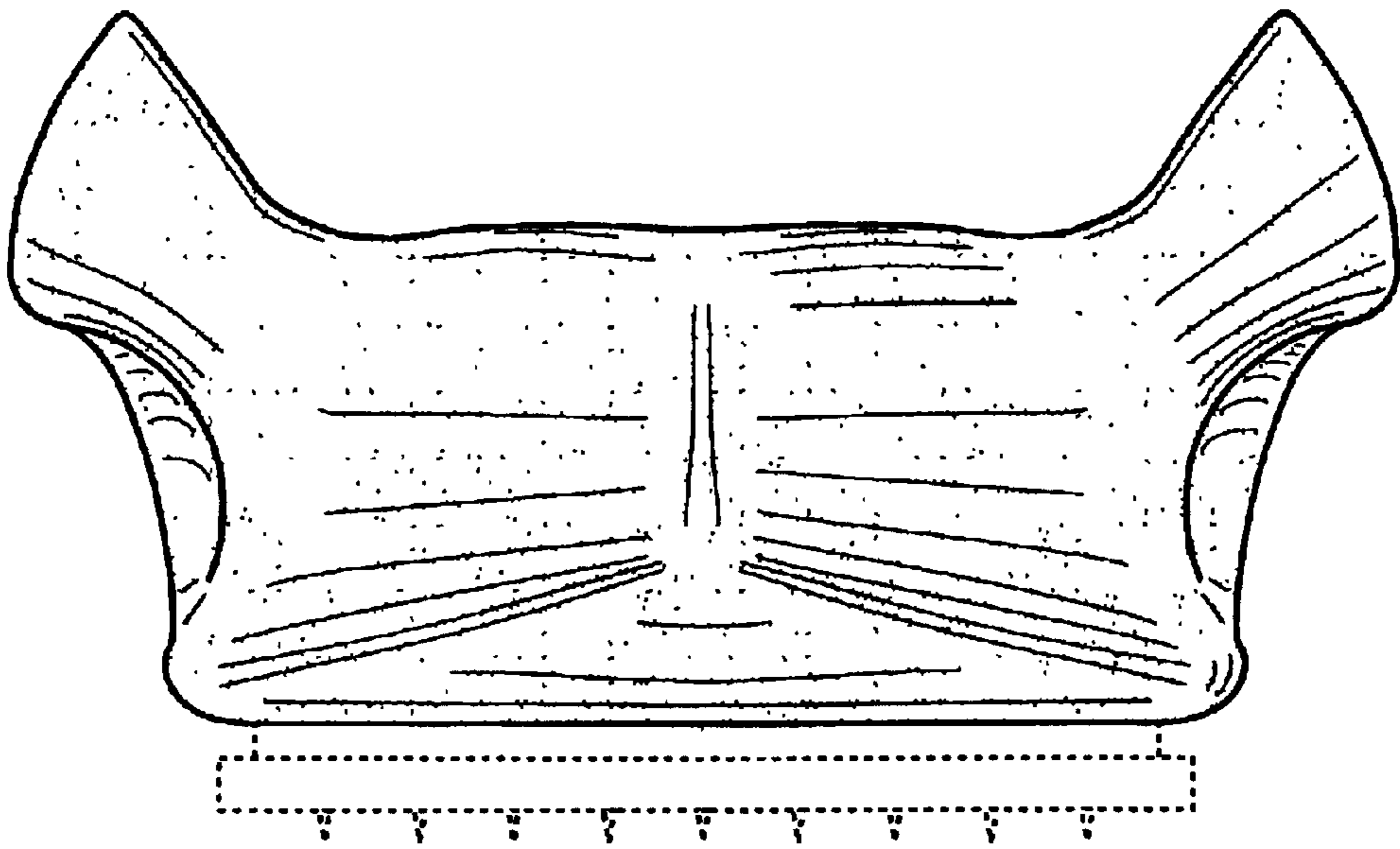


**FIG.\_6**

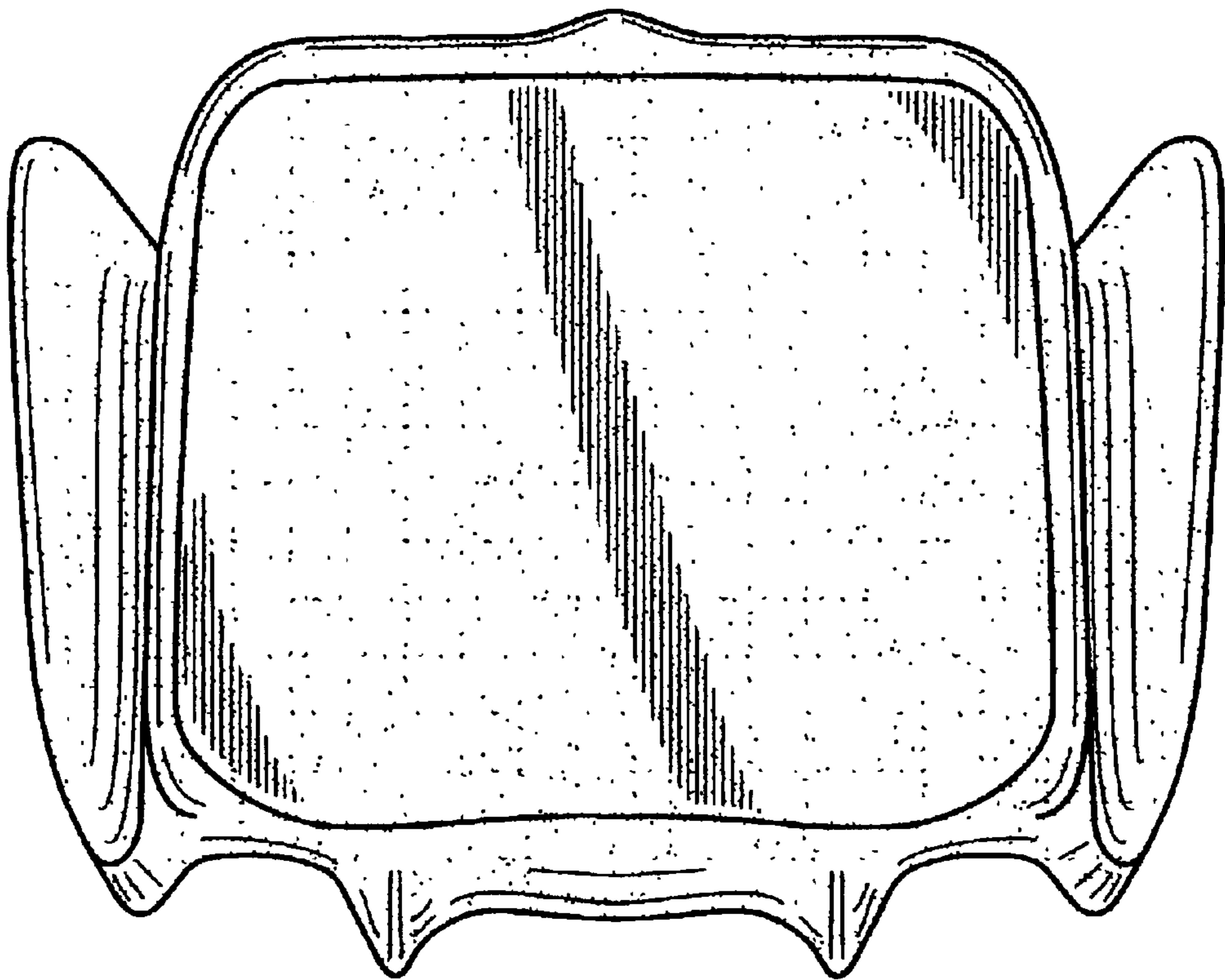


**FIG.\_4**





**FIG. 5**



**FIG. 7**