



US00D489972S

(12) **United States Design Patent**
Lin

(10) **Patent No.:** **US D489,972 S**

(45) **Date of Patent:** **** May 18, 2004**

- (54) **SHRIMP AND SURIMI TRAY**
- (75) Inventor: **Duke Lin**, 3450 Fujita St., Torrance, CA (US) 90505
- (73) Assignee: **Duke Lin**, Torrance, CA (US)
- (**) Term: **14 Years**
- (21) Appl. No.: **29/189,809**
- (22) Filed: **Sep. 10, 2003**

D411,709 S	*	6/1999	Curtis et al.	D7/553.4
D420,285 S	*	2/2000	Sagan et al.	D9/429
6,021,903 A	*	2/2000	Hanson	206/541
6,022,571 A	*	2/2000	Blazevich	426/132
6,042,856 A	*	3/2000	Sagan et al.	426/87
D422,907 S	*	4/2000	Sagan et al.	D9/428
6,168,813 B1	*	1/2001	Blazevich	426/132
D452,146 S	*	12/2001	Lin	D9/337
D460,897 S	*	7/2002	Leuenberger	D7/553.8
D461,099 S	*	8/2002	Leuenberger	D7/541
D464,531 S	*	10/2002	Blazevich	D7/553.6
6,514,548 B2	*	2/2003	Lin	426/115
2003/0006151 A1	*	1/2003	Lin	206/216

Related U.S. Application Data

- (62) Division of application No. 29/166,564, filed on Aug. 28, 2002.
- (51) **LOC (7) Cl.** **09-03**
- (52) **U.S. Cl.** **D9/337; D7/553.8; D9/428**
- (58) **Field of Search** **D7/500, 505, 538, D7/541, 549, 550.1, 553.1-557, 323, 357, 359; D9/337, 341, 346-348, 424, 428, 429, 432; 206/216, 541; 426/112, 115, 120, 124, 129, 132, 394, 87**

References Cited

U.S. PATENT DOCUMENTS

1,949,285 A	*	2/1934	Porter	D7/557
D364,090 S	*	11/1995	Krupa	D9/429
D394,985 S	*	6/1998	Curtis et al.	D7/538
D396,606 S	*	8/1998	Blazevich	D7/553.6
D404,612 S	*	1/1999	Blazevich	D7/505
5,869,120 A	*	2/1999	Blazevich	426/115

* cited by examiner

Primary Examiner—Caron D. Veynar

(74) *Attorney, Agent, or Firm*—Aaron T. Borrowman; Kelly Bauersfeld Lowry & Kelley, LLP

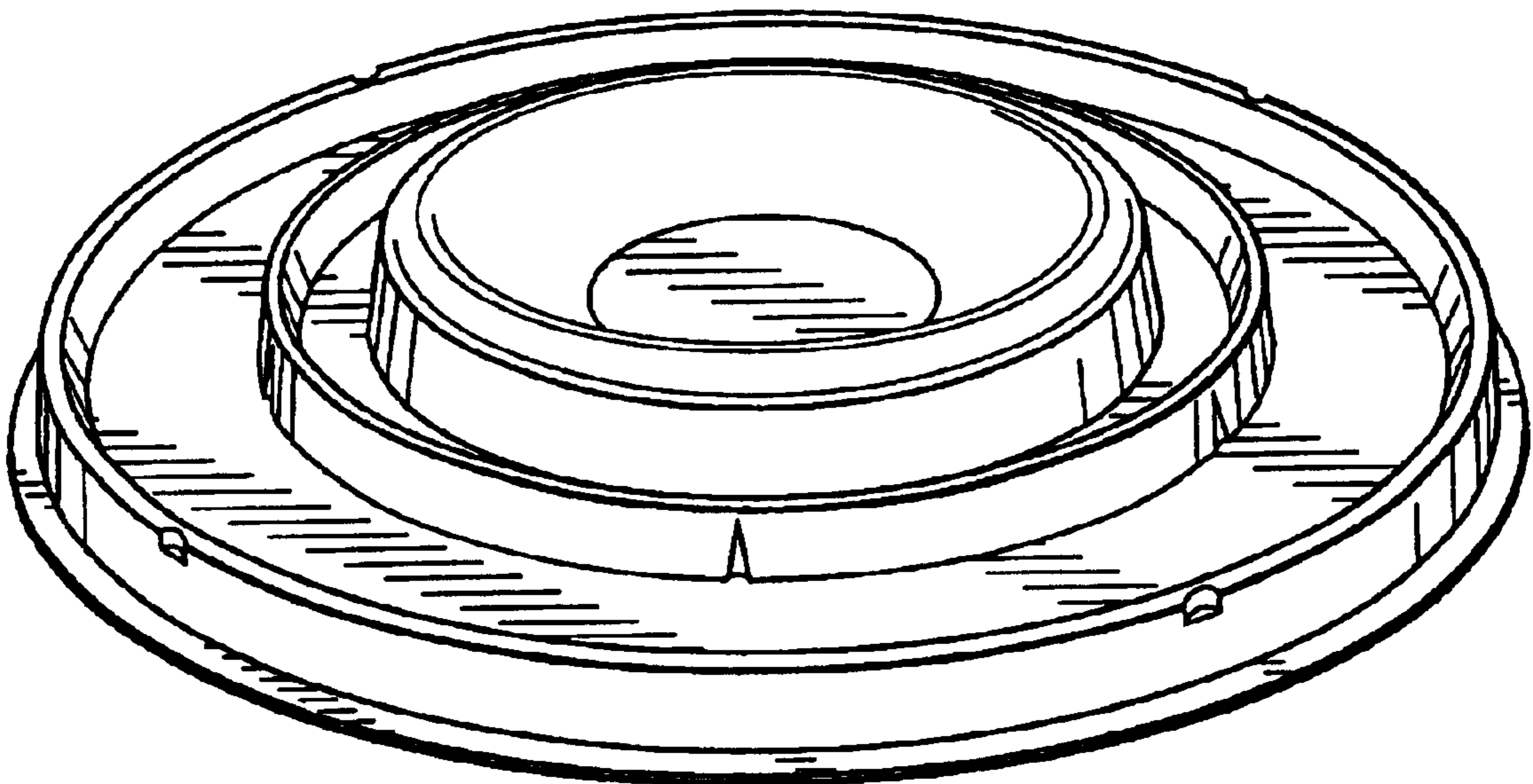
(57) **CLAIM**

The ornamental design for a shrimp and surimi tray, as shown and described.

DESCRIPTION

FIG. 1 is a top and side perspective view of the shrimp and surimi tray itself;
 FIG. 2 is a top plan view of the shrimp and surimi tray;
 FIG. 3 is a bottom plan view of the shrimp and surimi tray;
 FIG. 4 is a side elevational view of the shrimp and surimi tray; and,
 FIG. 5 is an end elevational view of the shrimp and surimi tray.

1 Claim, 2 Drawing Sheets



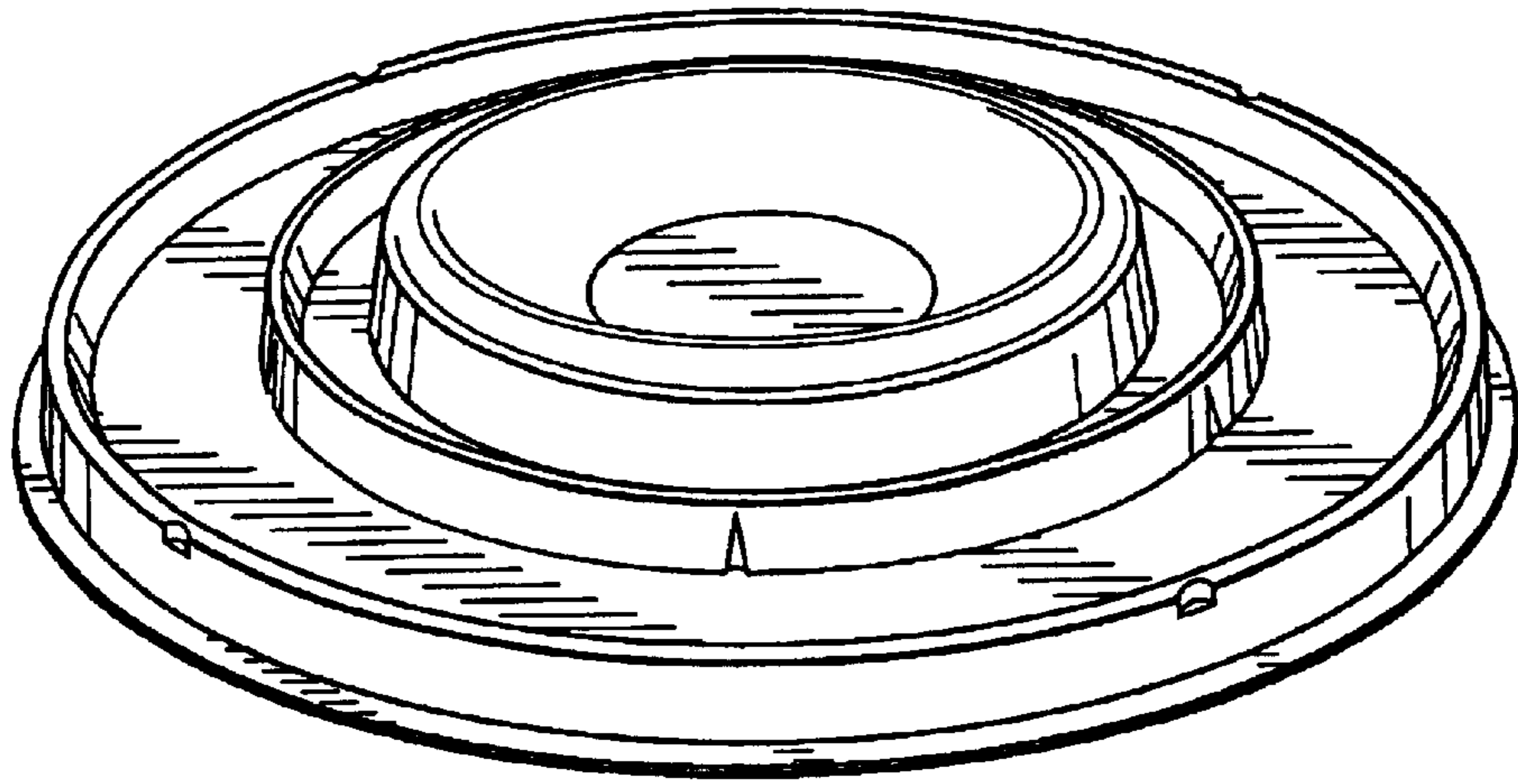


FIG. 1

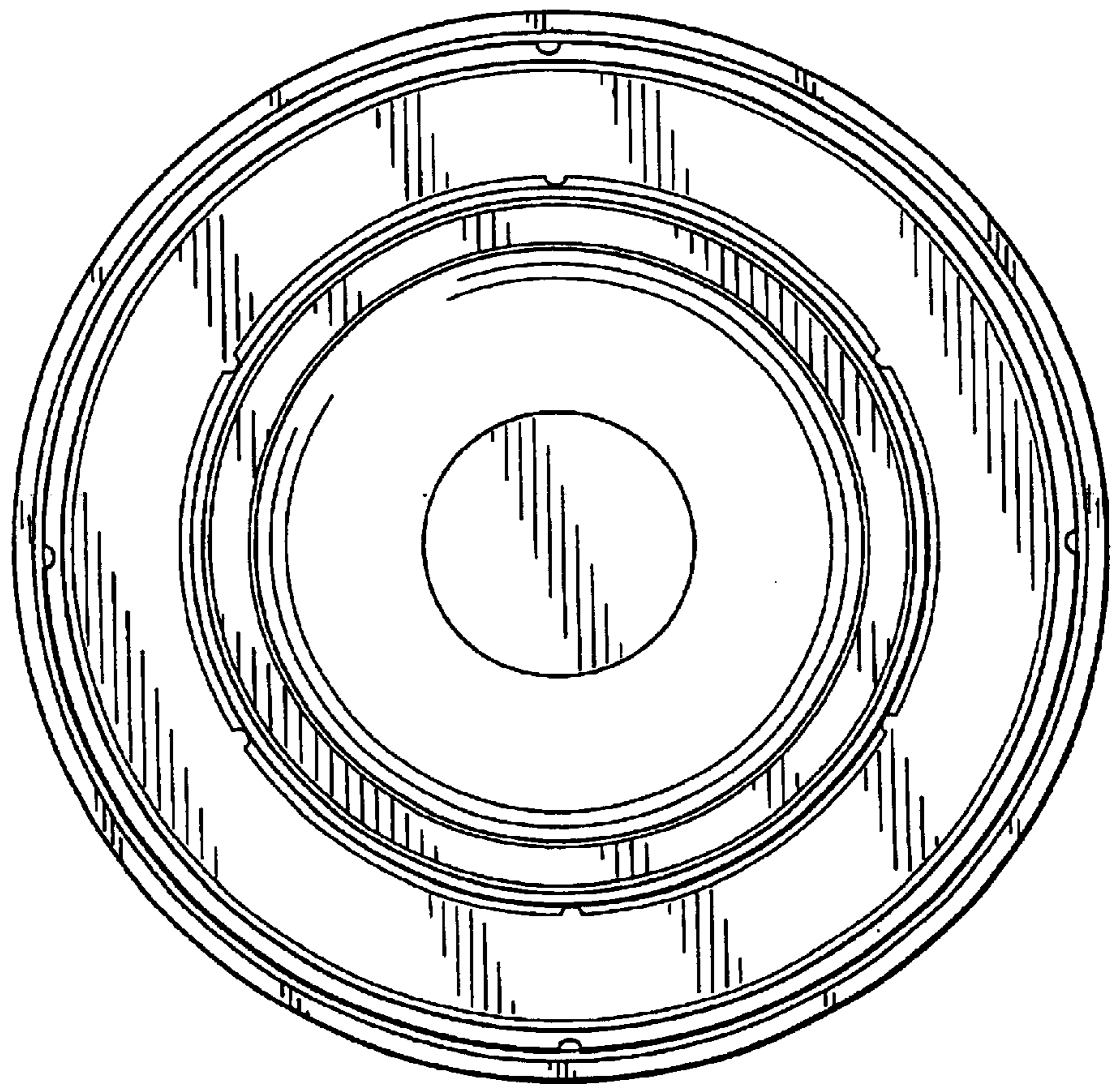


FIG. 2

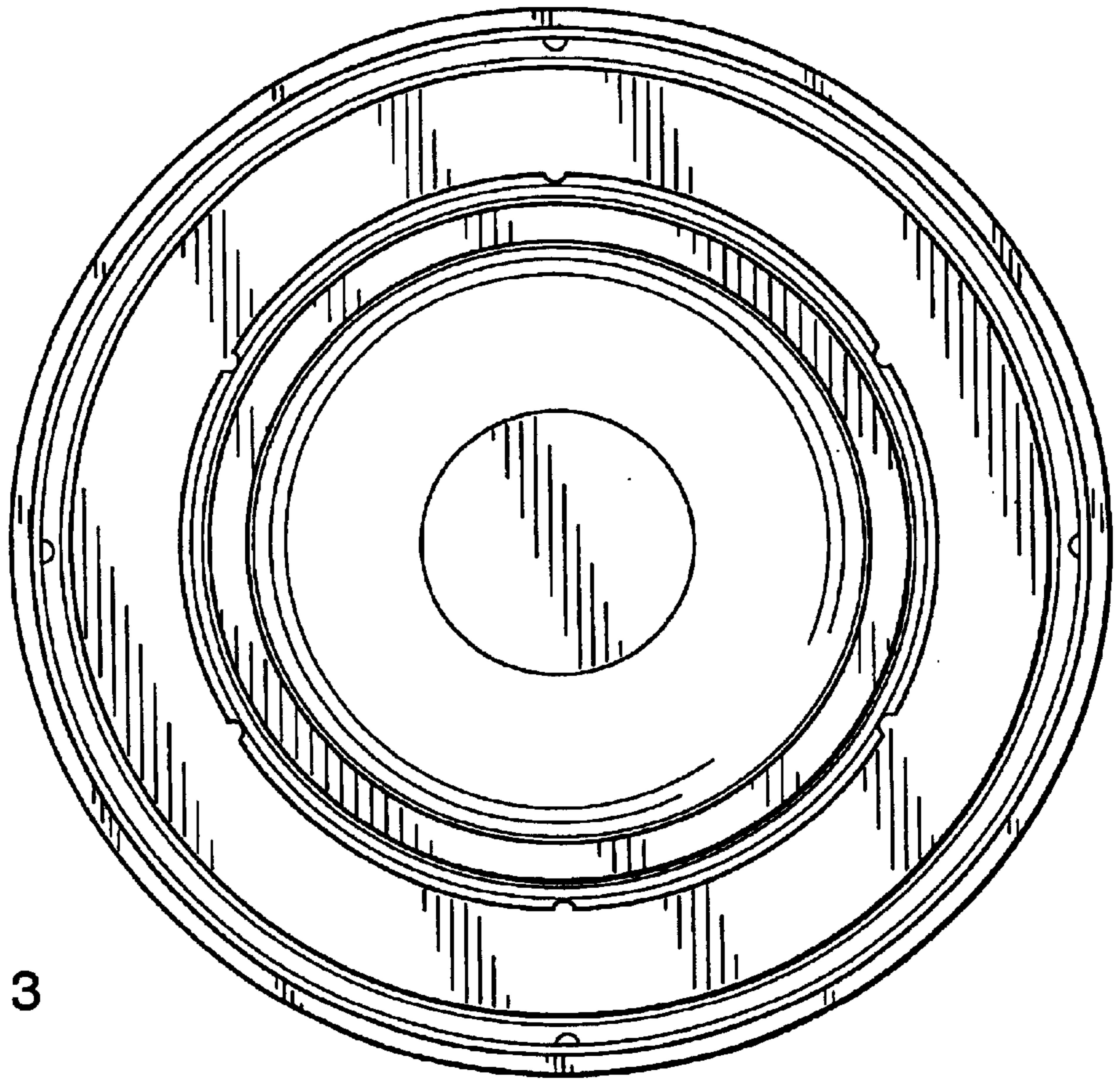


FIG. 3

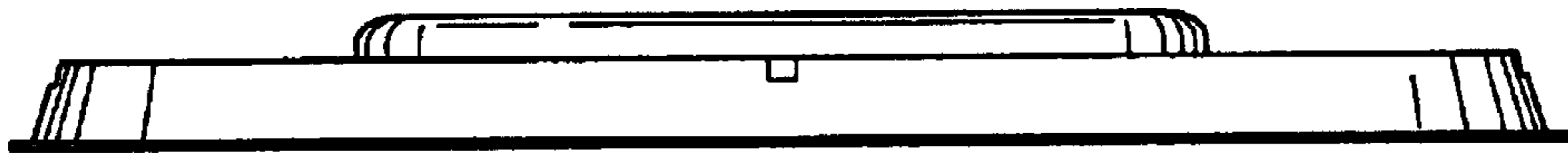


FIG. 4

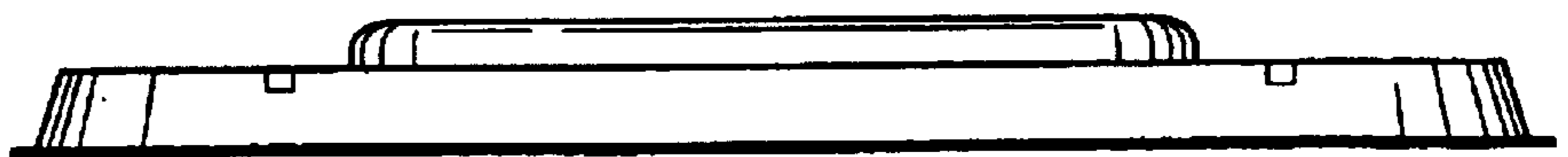


FIG. 5