



US00D489969S

(12) **United States Design Patent**
Gelbart

(10) **Patent No.:** **US D489,969 S**

(45) **Date of Patent:** **** May 18, 2004**

(54) **PADDED TABLE TOP CORNER PROTECTOR**

Primary Examiner—Brian N. Vinson

(74) *Attorney, Agent, or Firm*—Edward P. Dutkiewicz

(76) **Inventor:** **Ida Gelbart**, 129 Meadowcreek Dr.,
Corte Madera, CA (US) 94925-1281

(57) **CLAIM**

(**) **Term:** **14 Years**

The ornamental design for a padded table top corner protector, as shown and described.

(21) **Appl. No.:** **29/181,254**

DESCRIPTION

(22) **Filed:** **May 7, 2003**

(51) **LOC (7) Cl.** **08-09**

FIG. 1 is a side elevational view of the padded table top corner protector of the present invention viewed from the table side.

(52) **U.S. Cl.** **D8/403**

FIG. 2 is a side elevational view of the protector viewed when looking toward the protector and table.

(58) **Field of Search** D8/400, 403, 449;
52/287.1; 206/453, 586; 40/778

FIGS. 3 and 4 are left and right side elevational views of the protector and also illustrating a table corner and leg in phantom line for illustrative purposes only, the table and corner and leg forming no part of the invention.

(56) **References Cited**

U.S. PATENT DOCUMENTS

D253,506 S	*	11/1979	Vigue	D8/403
4,240,225 A	*	12/1980	Sartain	D8/403 X
D260,590 S	*	9/1981	Hobson	D8/403
D268,007 S	*	2/1983	Zinnecker	D8/403
D377,312 S	*	1/1997	Runaldue	D8/403
D481,304 S	*	10/2003	Drake	D8/403

FIGS. 5 and 6 are top and bottom view of the protector; and, FIG. 7 is a perspective illustration of an alternate embodiment of the invention wherein the fringe has been removed.

* cited by examiner

1 Claim, 4 Drawing Sheets

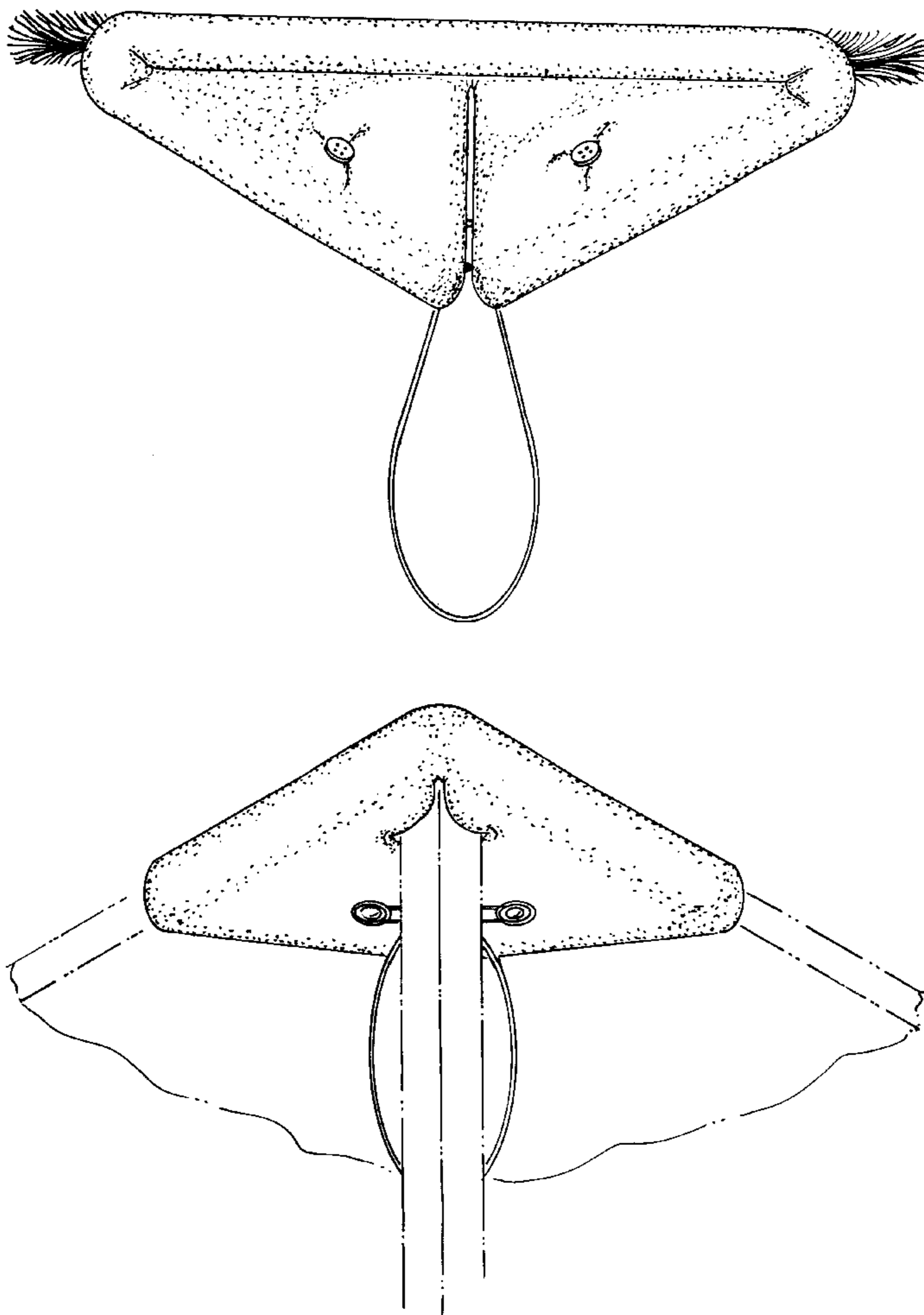


FIG 1

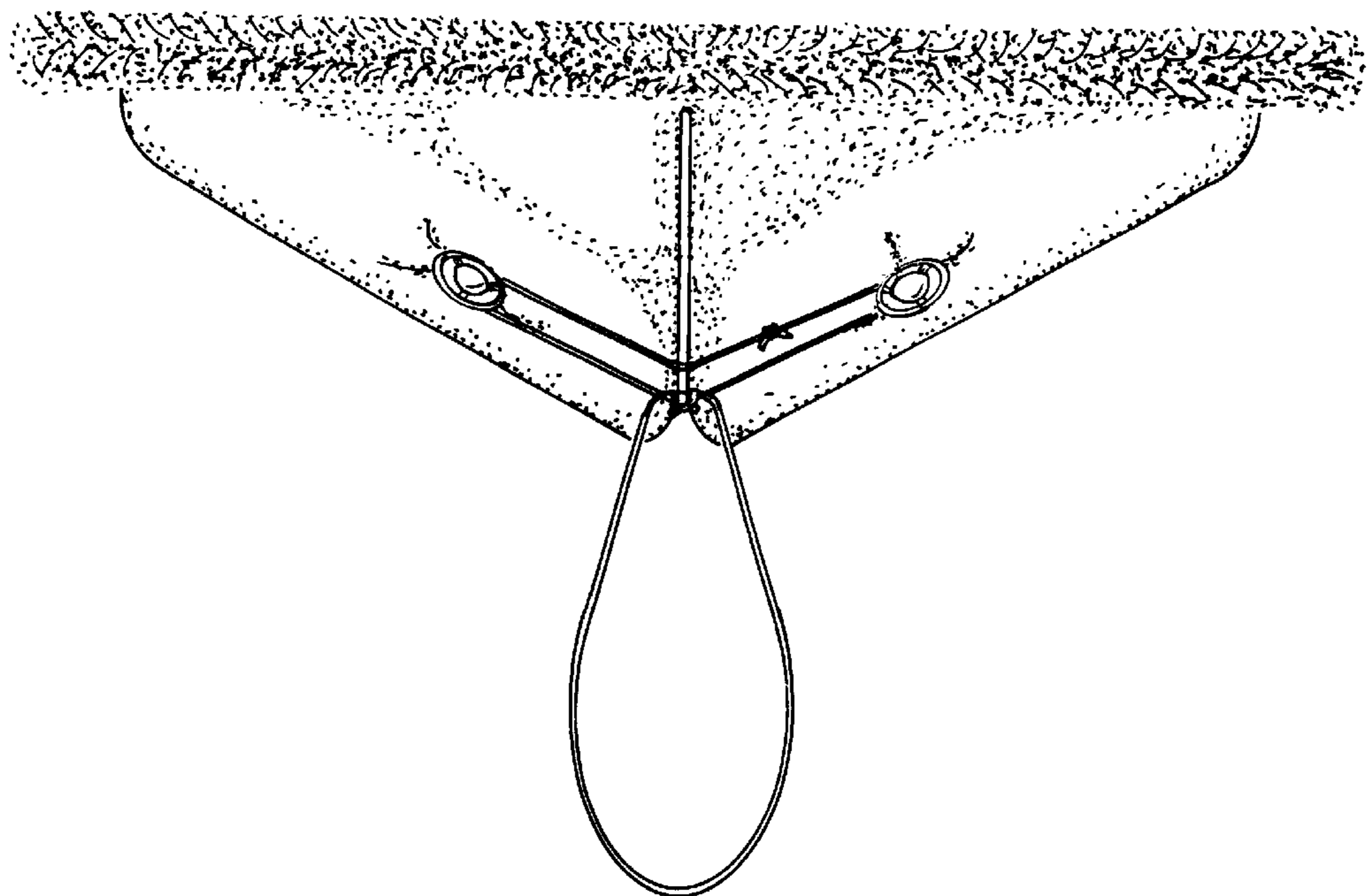
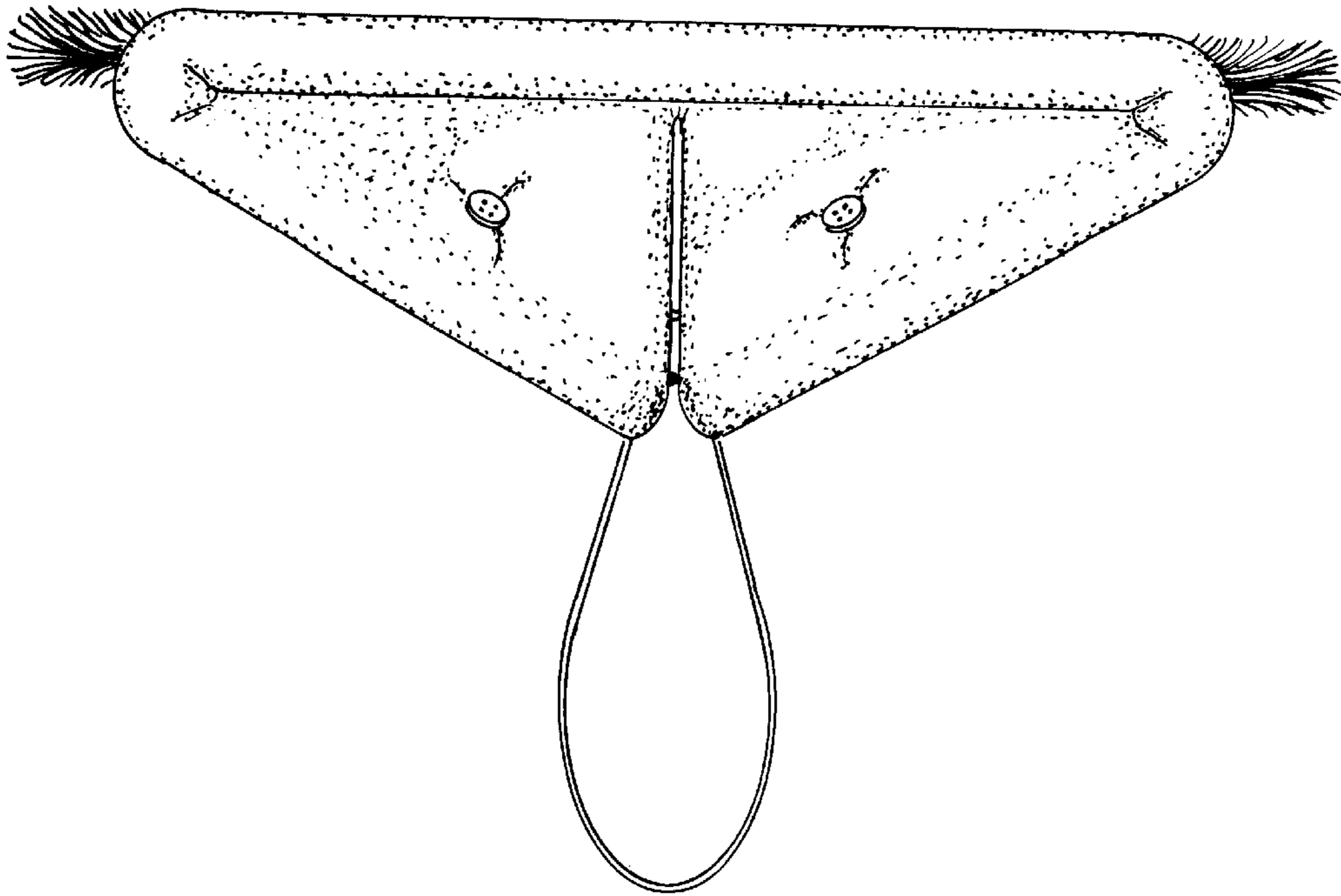


FIG 2

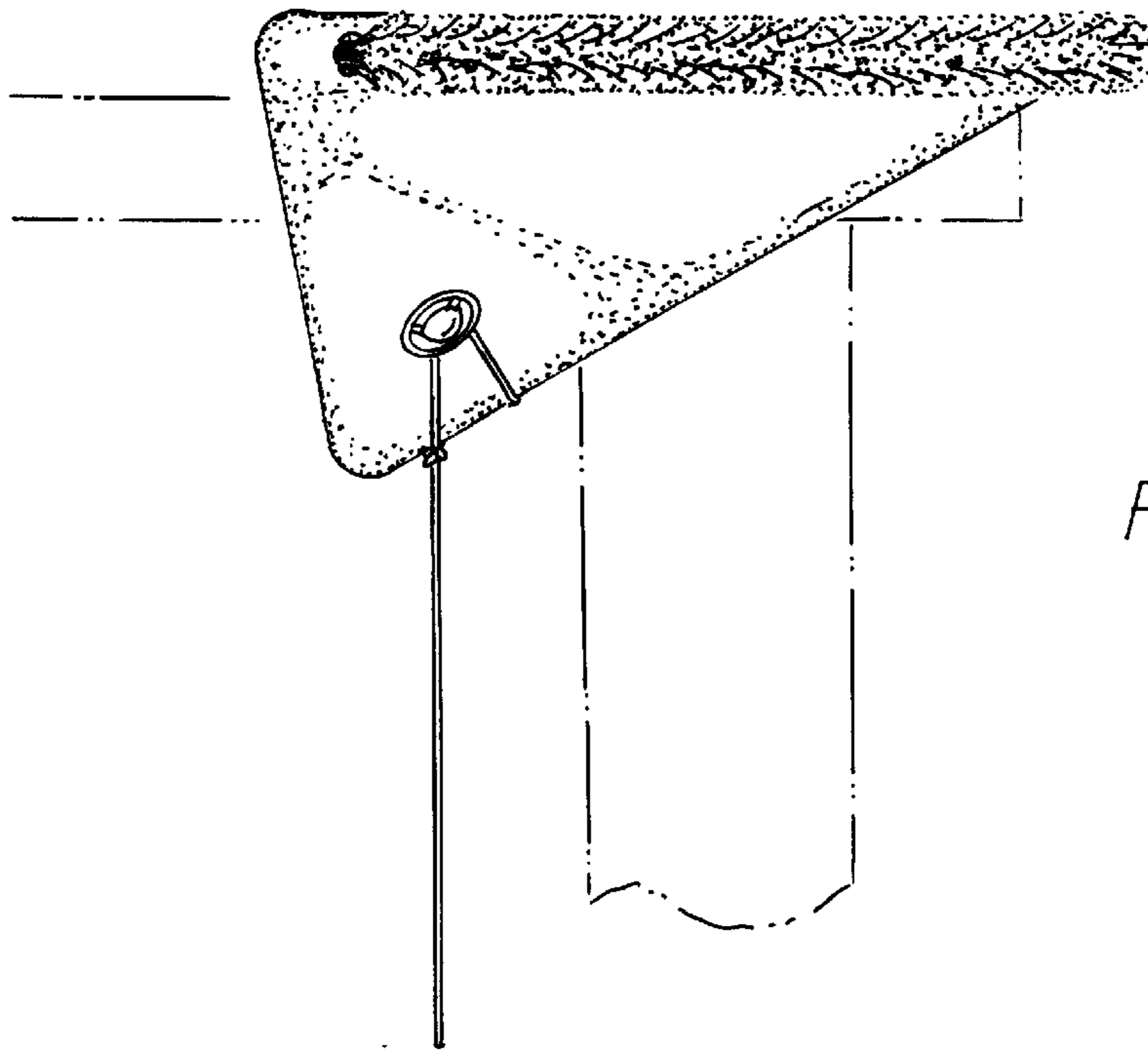


FIG 3

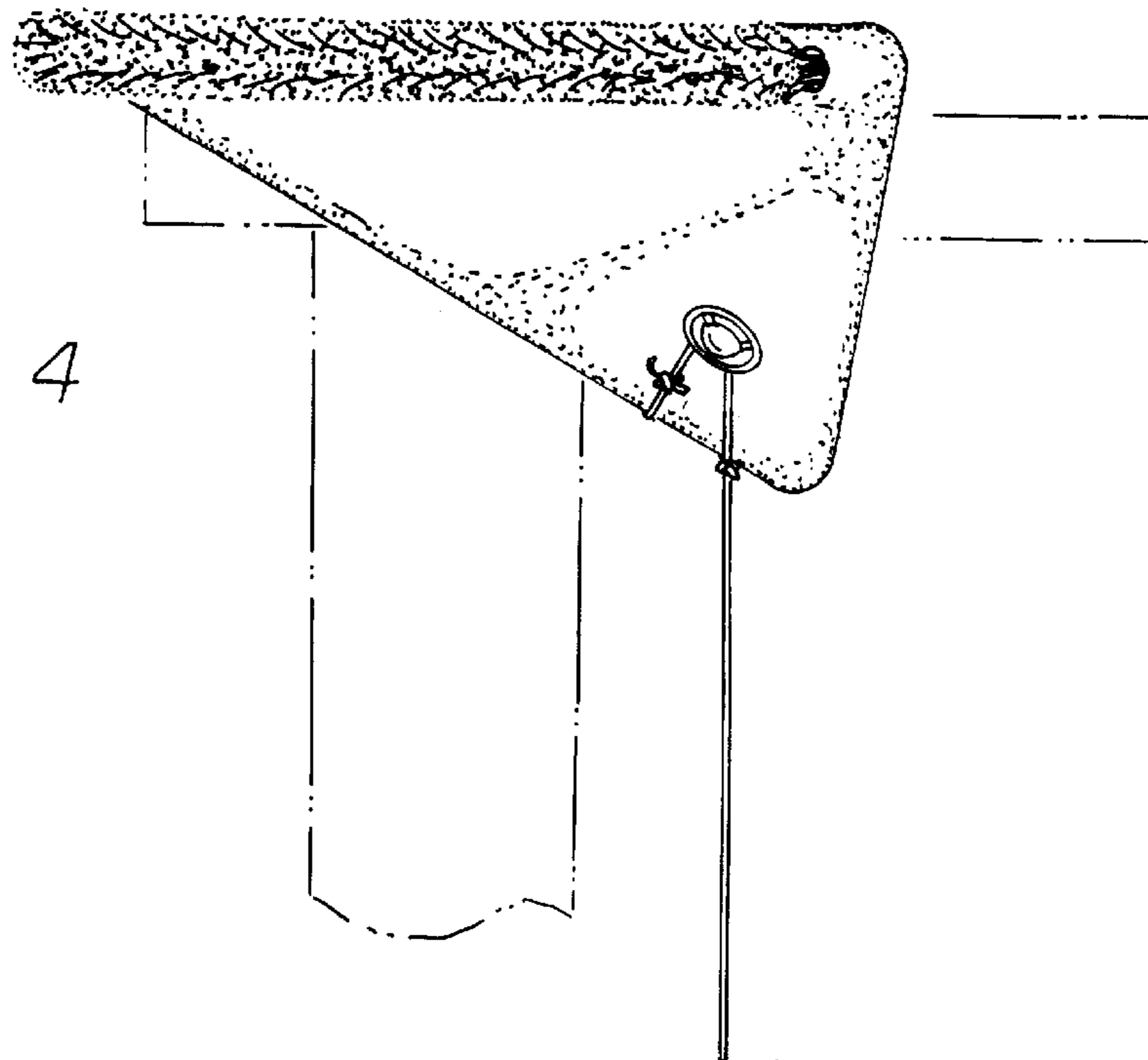


FIG 4

FIG 5

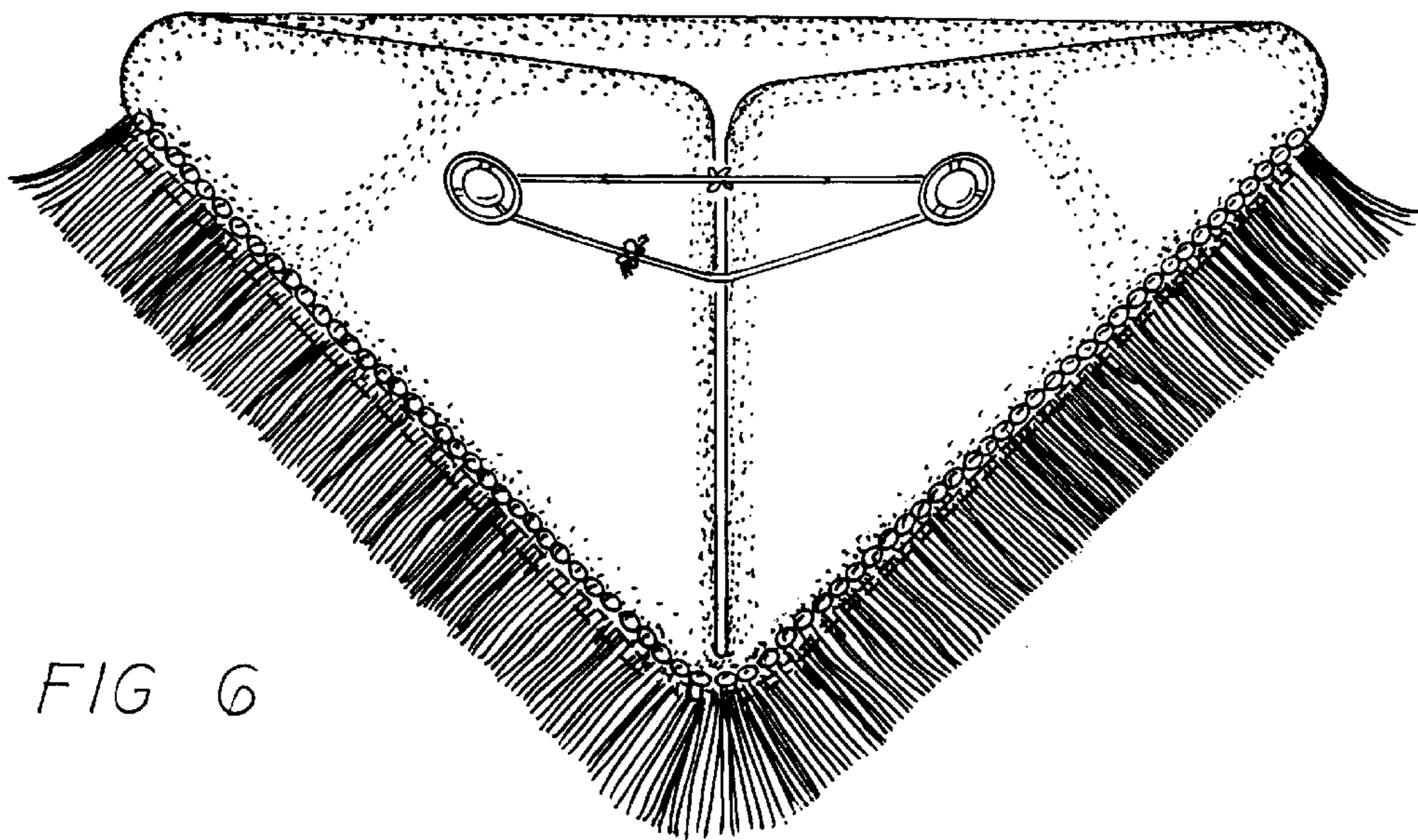
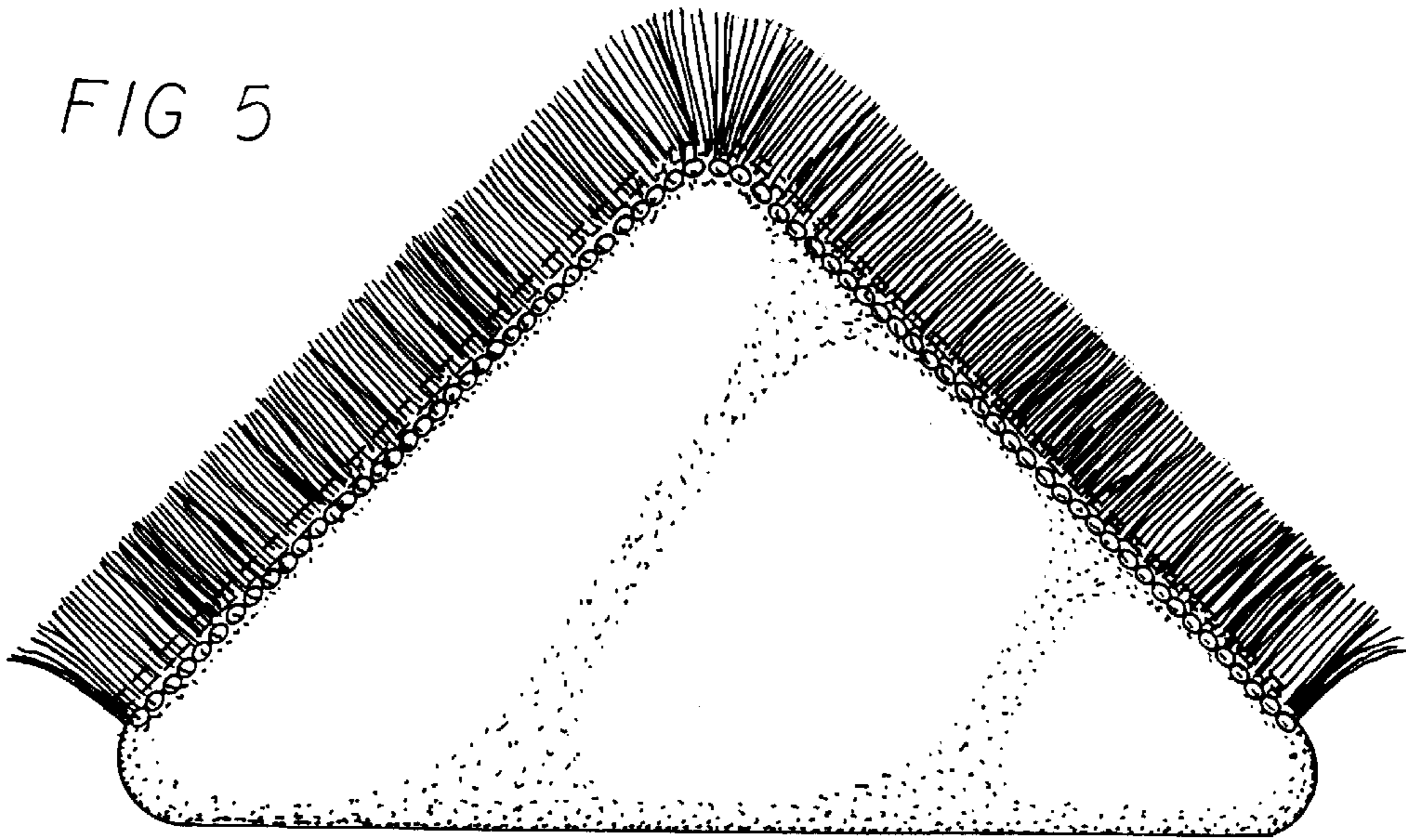


FIG 6

FIG 7

