



US00D489967S

(12) **United States Design Patent**
Funk

(10) **Patent No.:** **US D489,967 S**

(45) **Date of Patent:** **** May 18, 2004**

(54) **TUBE CONNECTOR**

Primary Examiner—Holly Baynham

(76) Inventor: **Otis D. Funk**, 300 Trammel Rd.,
Sherwood, AR (US) 72124

(57) **CLAIM**

(**) Term: **14 Years**

The ornamental design for a tube connector, as shown and described.

(21) Appl. No.: **29/186,507**

DESCRIPTION

(22) Filed: **Jul. 17, 2003**

(51) **LOC (7) Cl.** **08-08**

FIG. 1 is a isometric view of my new tube connector showing the new design;

(52) **U.S. Cl.** **D8/382**

FIG. 2 is a exploded view of FIG. 1 with a small portion cut away for clarity;

(58) **Field of Search** D8/382; 403/403,
403/205, 170-171

FIG. 3 is a enlarged front end elevation view of FIG. 1;

FIG. 4 is a enlarged rear end elevation view of FIG. 1;

FIG. 5 is a enlarged right side elevation view of FIG. 1 the left side elevation view being a mirror image thereof;

FIG. 6 is a enlarged top end view of FIG. 1; and,

FIG. 7 is a enlarged bottom end view of FIG. 1.

(56) **References Cited**

U.S. PATENT DOCUMENTS

- 4,793,637 A * 12/1988 Laipply et al. 285/39
- 5,141,264 A * 8/1992 Usui 285/319
- 6,053,639 A * 4/2000 Chen 385/53
- 6,511,003 B2 * 1/2003 Dallmeyer et al. 239/585.1

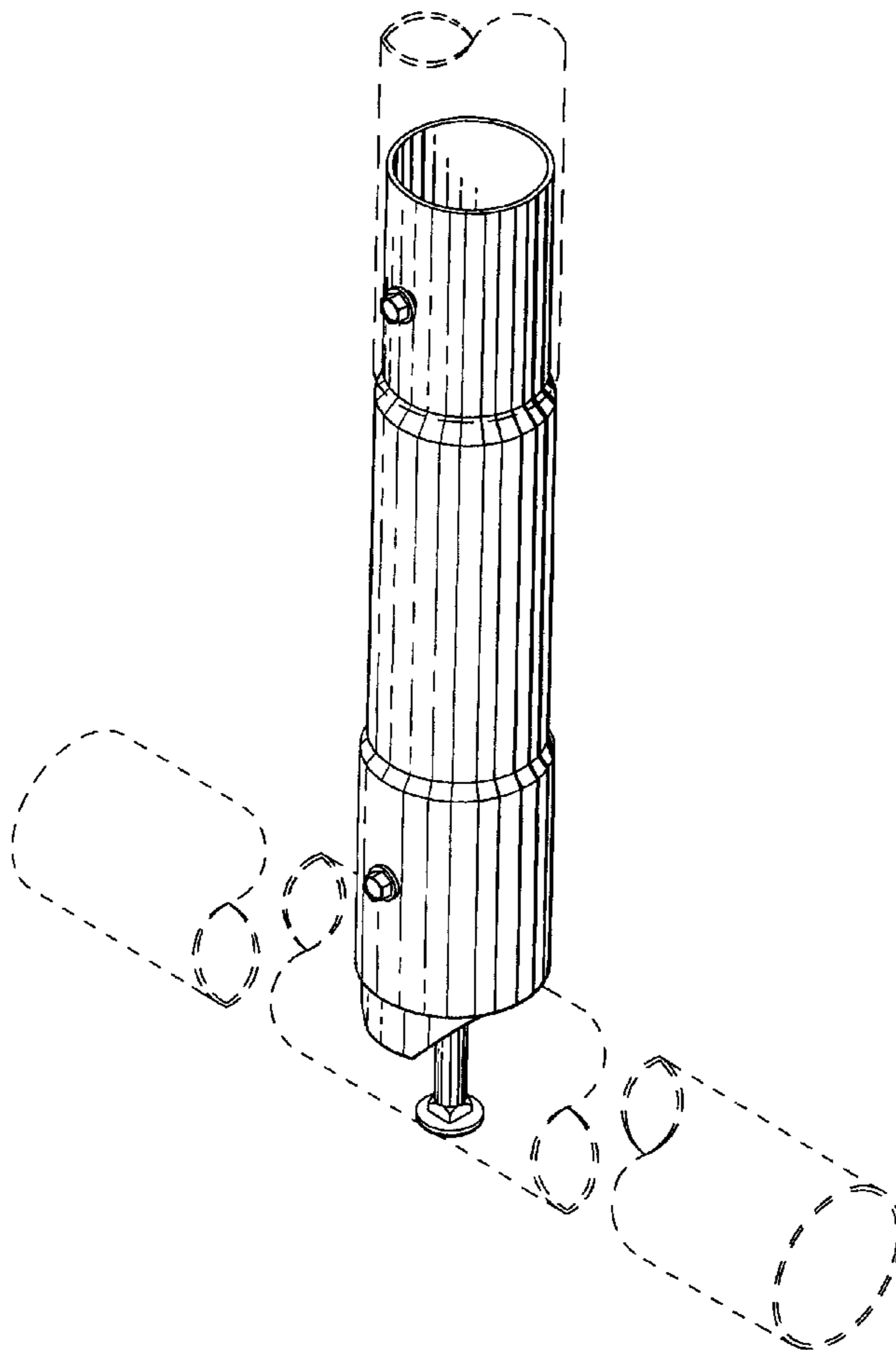
Broken lines throughout the views show the environment in which the design is used and form no part of the claimed design.

FOREIGN PATENT DOCUMENTS

JP 11264492 A * 9/1999 F16L/41/02

* cited by examiner

1 Claim, 6 Drawing Sheets



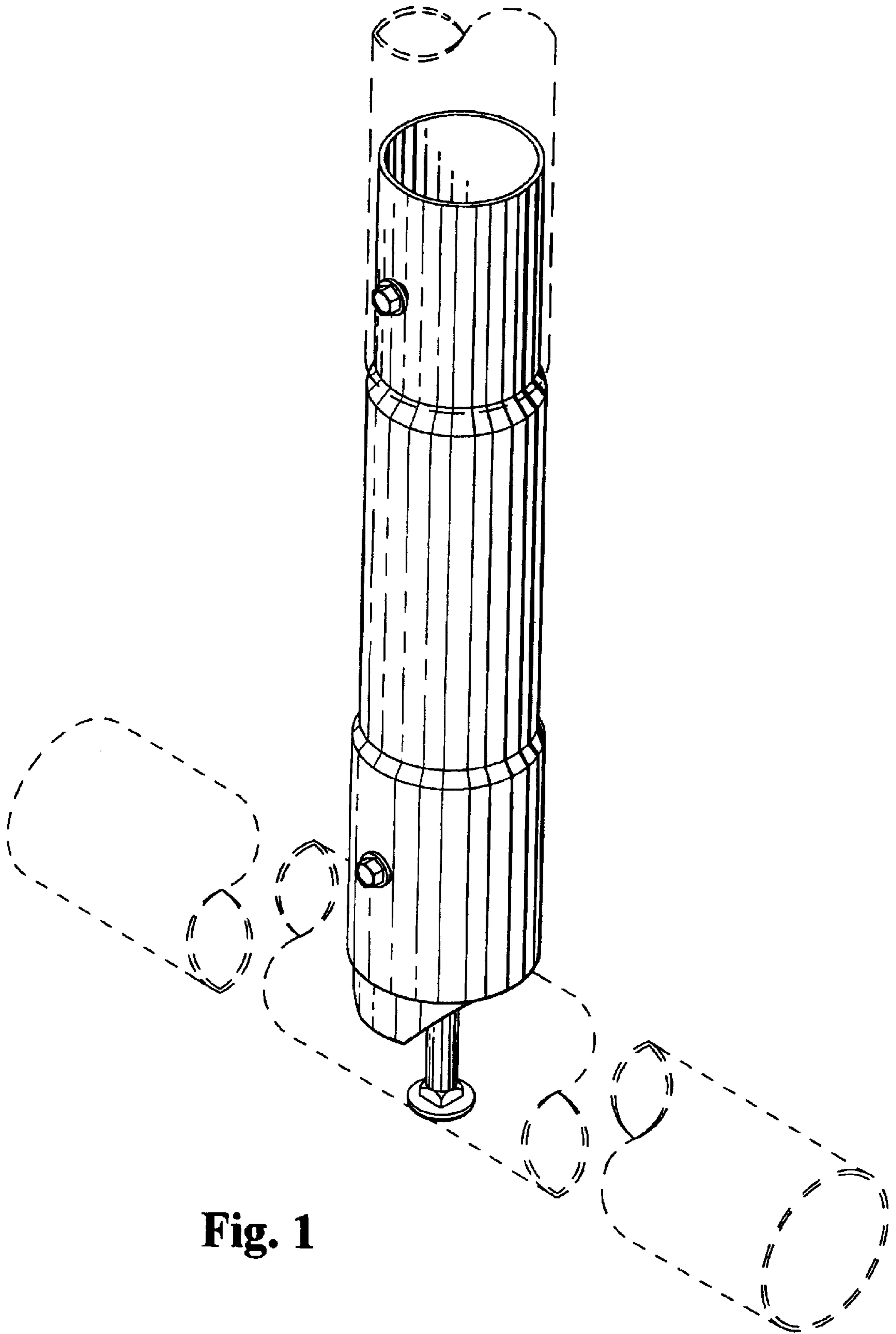


Fig. 1

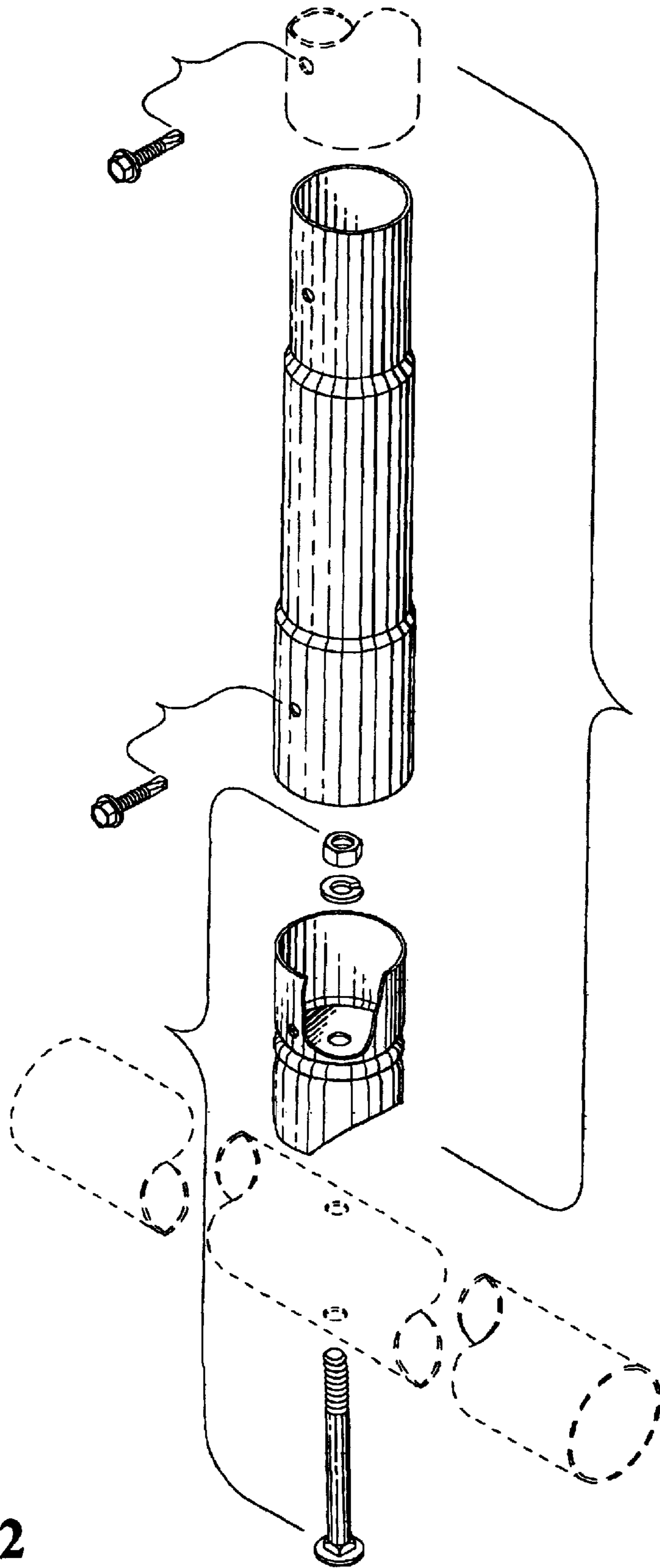


Fig. 2

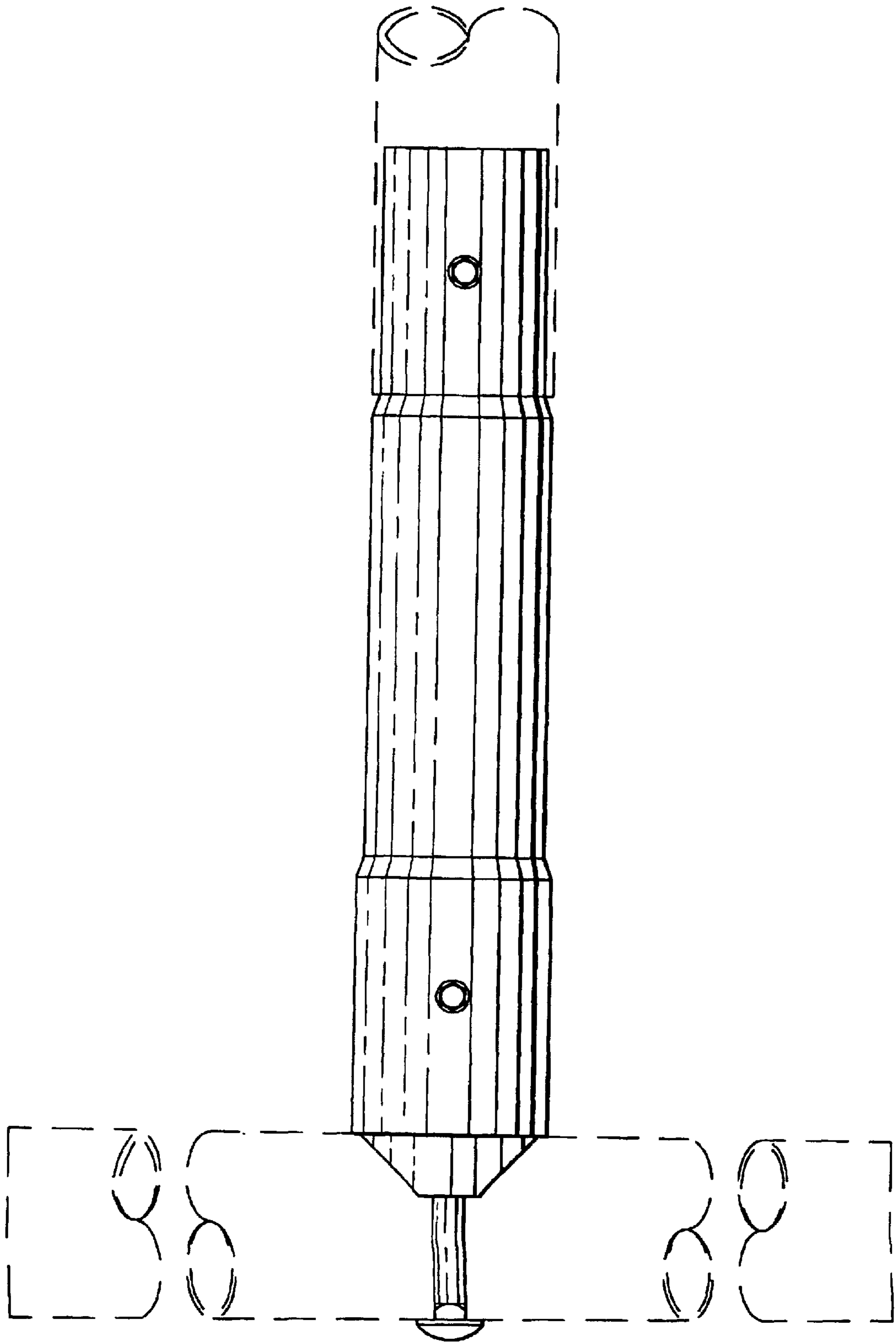


Fig. 3

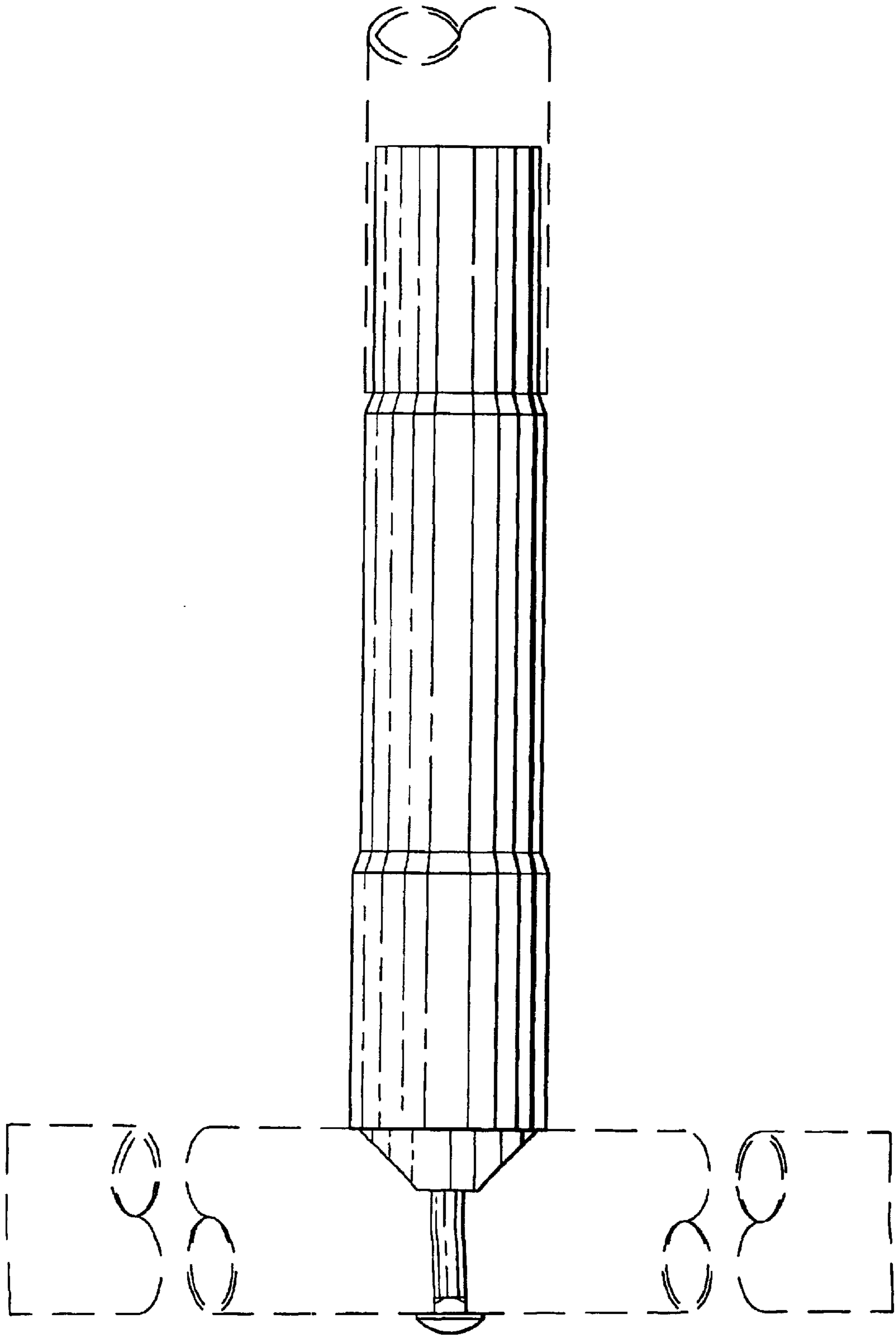


Fig. 4

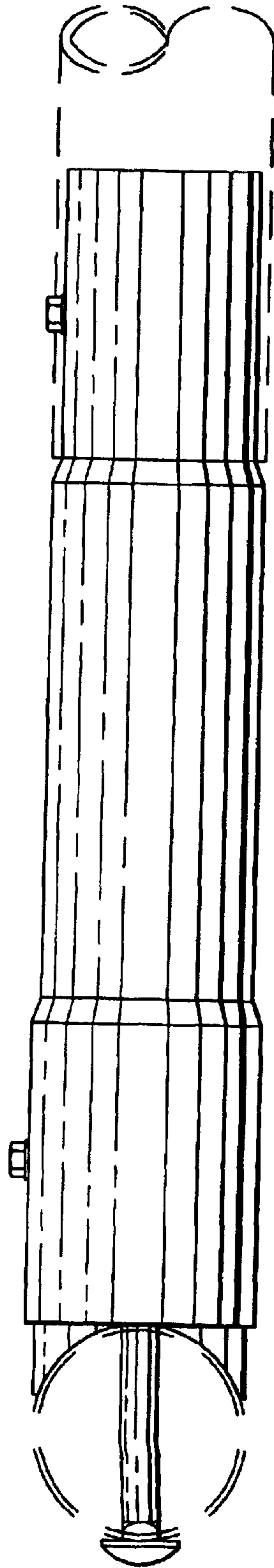


Fig. 5

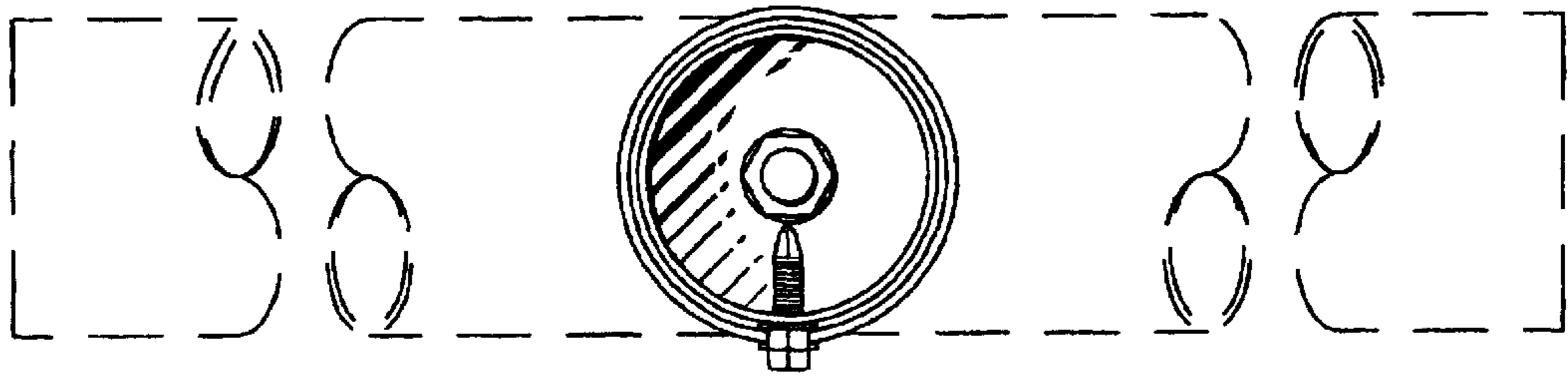


Fig. 6

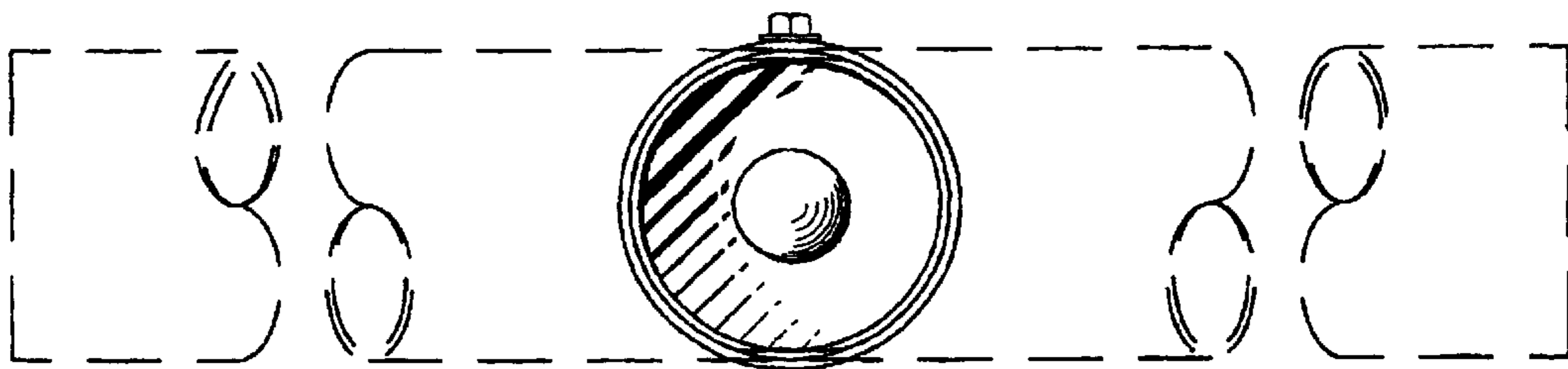


Fig. 7