



US00D489966S

(12) **United States Design Patent**  
**Ho**

(10) **Patent No.:** **US D489,966 S**

(45) **Date of Patent:** **\*\* May 18, 2004**

(54) **SHOWER CURTAIN FASTENER WITH SUCTION CUPS**

2,717,472 A \* 9/1955 Wilmington ..... 248/206.2  
4,070,735 A \* 1/1978 Canaday ..... 24/304  
6,317,904 B1 11/2001 Samelson

(75) Inventor: **Stanley Ho**, Warren, NJ (US)

\* cited by examiner

(73) Assignee: **Allure Home Creations Co., Inc.**,  
Boonton, NJ (US)

*Primary Examiner*—Holly Baynham

(\*\*) Term: **14 Years**

(57) **CLAIM**

(21) Appl. No.: **29/183,398**

The ornamental design for the shower curtain fastener with suction cups, as shown.

(22) Filed: **Jun. 11, 2003**

**DESCRIPTION**

(51) **LOC (7) Cl.** ..... **08-08**

(52) **U.S. Cl.** ..... **D8/382**

(58) **Field of Search** ..... D8/354, 382; 248/205.9,  
248/206.2; 4/558; 24/303; 160/349.2

FIG. 1 is a perspective view of a shower curtain suction cup incorporating my new design, where a contrast and differentiation in areas is indicated by line shading and stippling; FIG. 2 is a top plan view thereof; FIG. 3 is a front elevation view thereof; FIG. 4 is a side elevation view thereof; and, FIG. 5 is a bottom plan view thereof.

(56) **References Cited**

**U.S. PATENT DOCUMENTS**

2,227,541 A \* 1/1941 Groff ..... 248/206.2

**1 Claim, 2 Drawing Sheets**

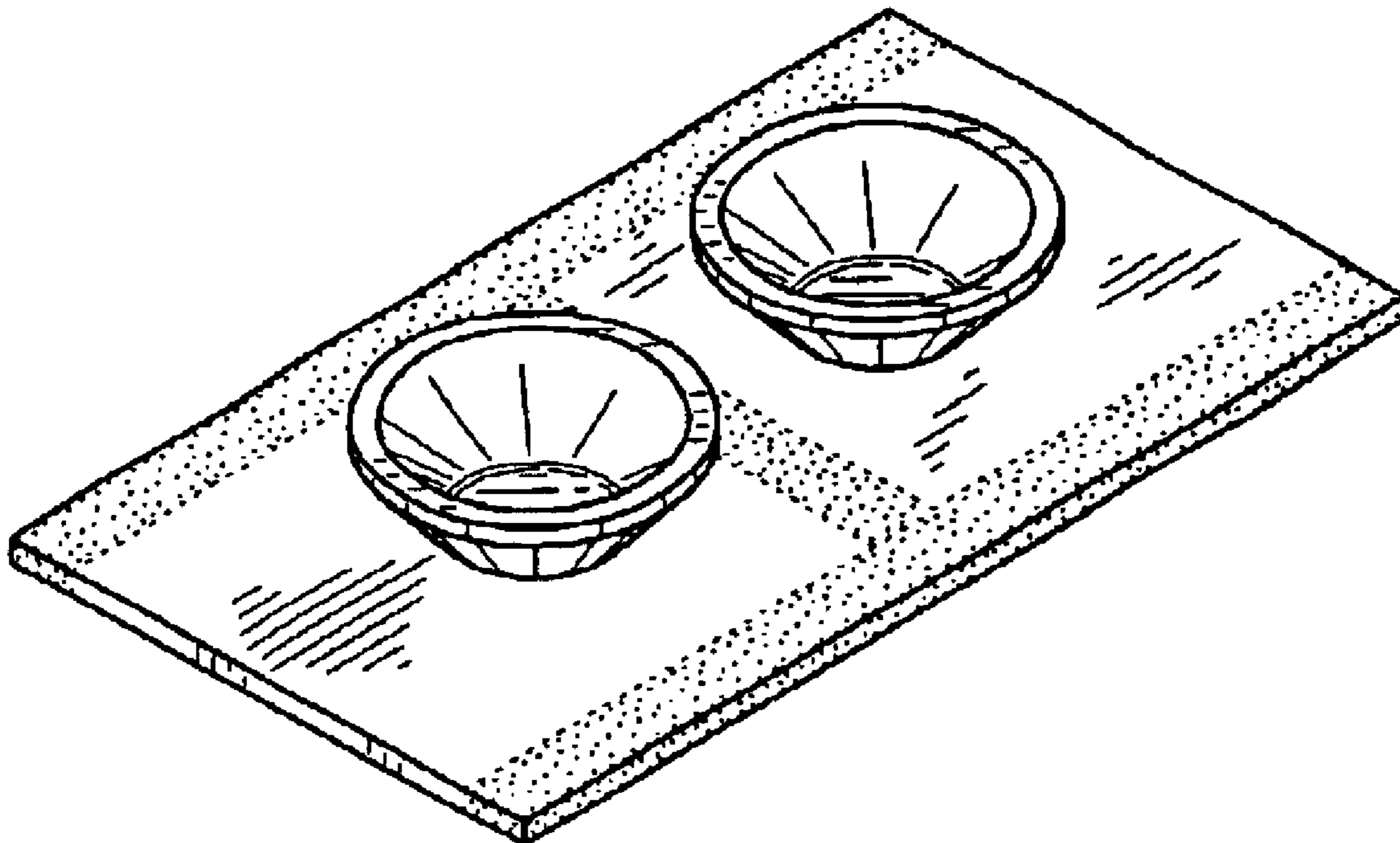


FIG. 1

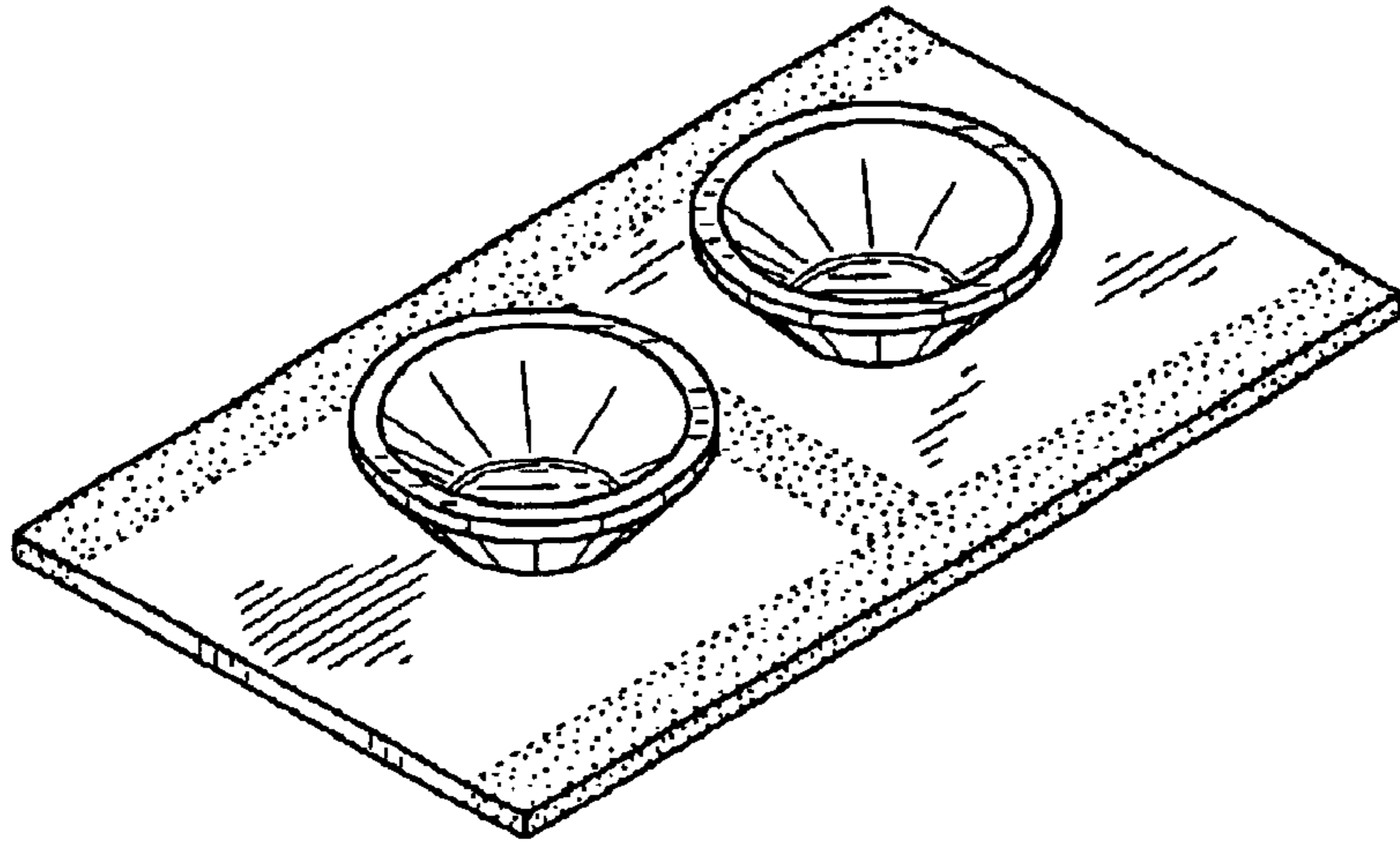


FIG. 2

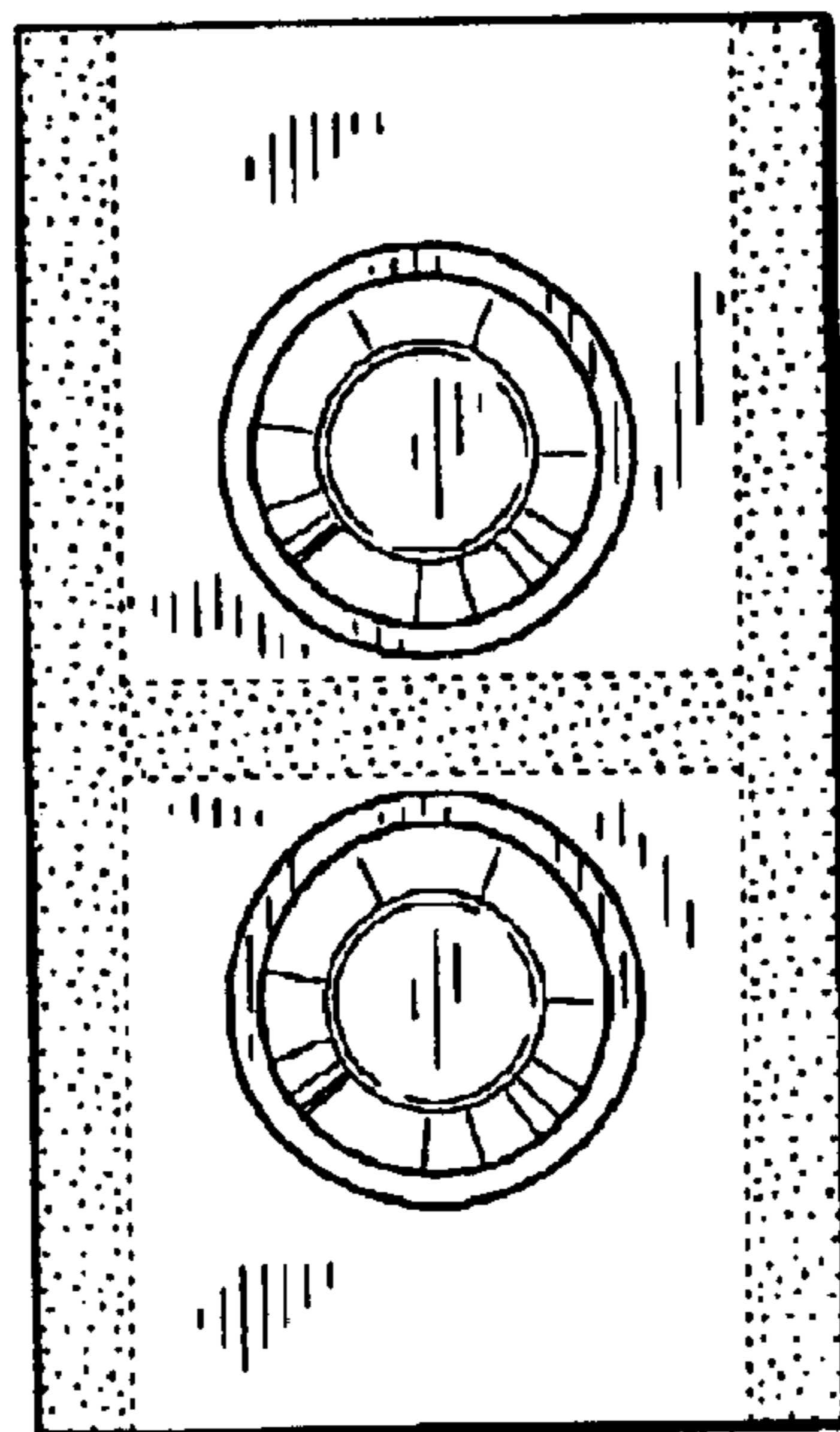


FIG. 3



**FIG. 4**



**FIG. 5**

