



US00D489964S

(12) **United States Design Patent**
Leelaprachakul

(10) **Patent No.:** **US D489,964 S**

(45) **Date of Patent:** **** May 18, 2004**

(54) **PIPE INSERTION APPARATUS**

D306,135 S * 2/1990 Lin D8/375

(76) Inventor: **Weenaratt Leelaprachakul**, 4053
Praram IV Road, Prakanong, Bangkok,
Khongtoey (TH)

* cited by examiner

Primary Examiner—Holly Baynham
(74) *Attorney, Agent, or Firm*—Baker Botts LLP

(**) Term: **14 Years**

(57) **CLAIM**

(21) Appl. No.: **29/170,640**

The ornamental design of an pipe insertion apparatus, as shown and described.

(22) Filed: **Nov. 8, 2002**

(51) **LOC (7) Cl.** **08-05**

(52) **U.S. Cl.** **D8/375**

(58) **Field of Search** D8/374, 375; 248/74.2,
248/74.1; 29/234

DESCRIPTION

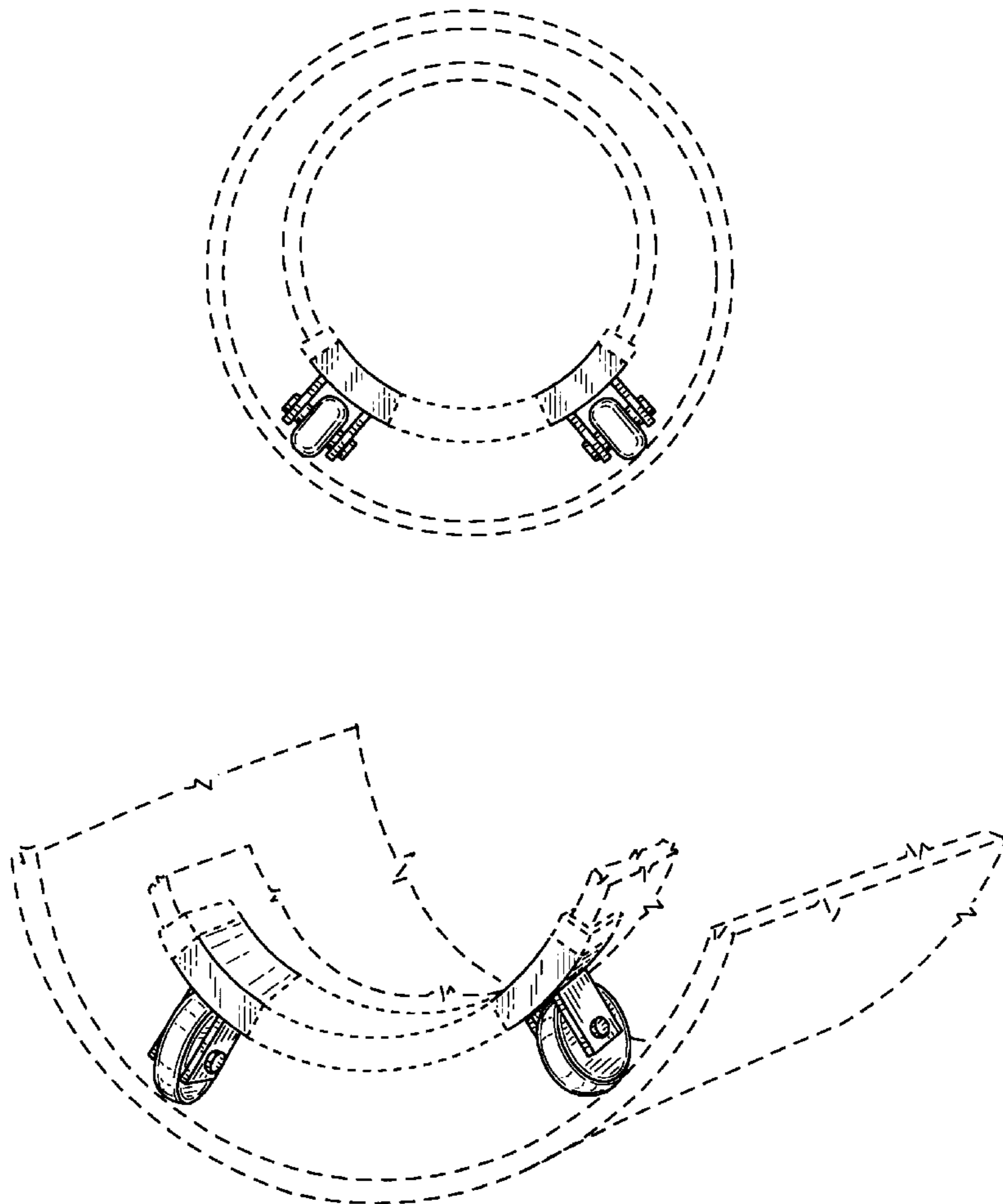
FIG. 1 is a front view of an pipe insertion apparatus in cooperation with such pipe showing my new design, the rear view being a mirror image thereof; and, FIG. 2 is a perspective view of the arrangement of FIG. 1. The broken lines are provided for illustrative purposes only, and form no part of the claimed design. In addition, the portions of the arrangement for inserting the pipe that are not shown in the drawing do not form any part of the claimed design.

(56) **References Cited**

U.S. PATENT DOCUMENTS

- D212,935 S * 12/1968 Appel D8/375
- D220,901 S * 6/1971 Spaicher et al. D8/375
- 4,300,276 A * 11/1981 Davis 29/234
- D282,905 S * 3/1986 Black D8/375

1 Claim, 1 Drawing Sheet



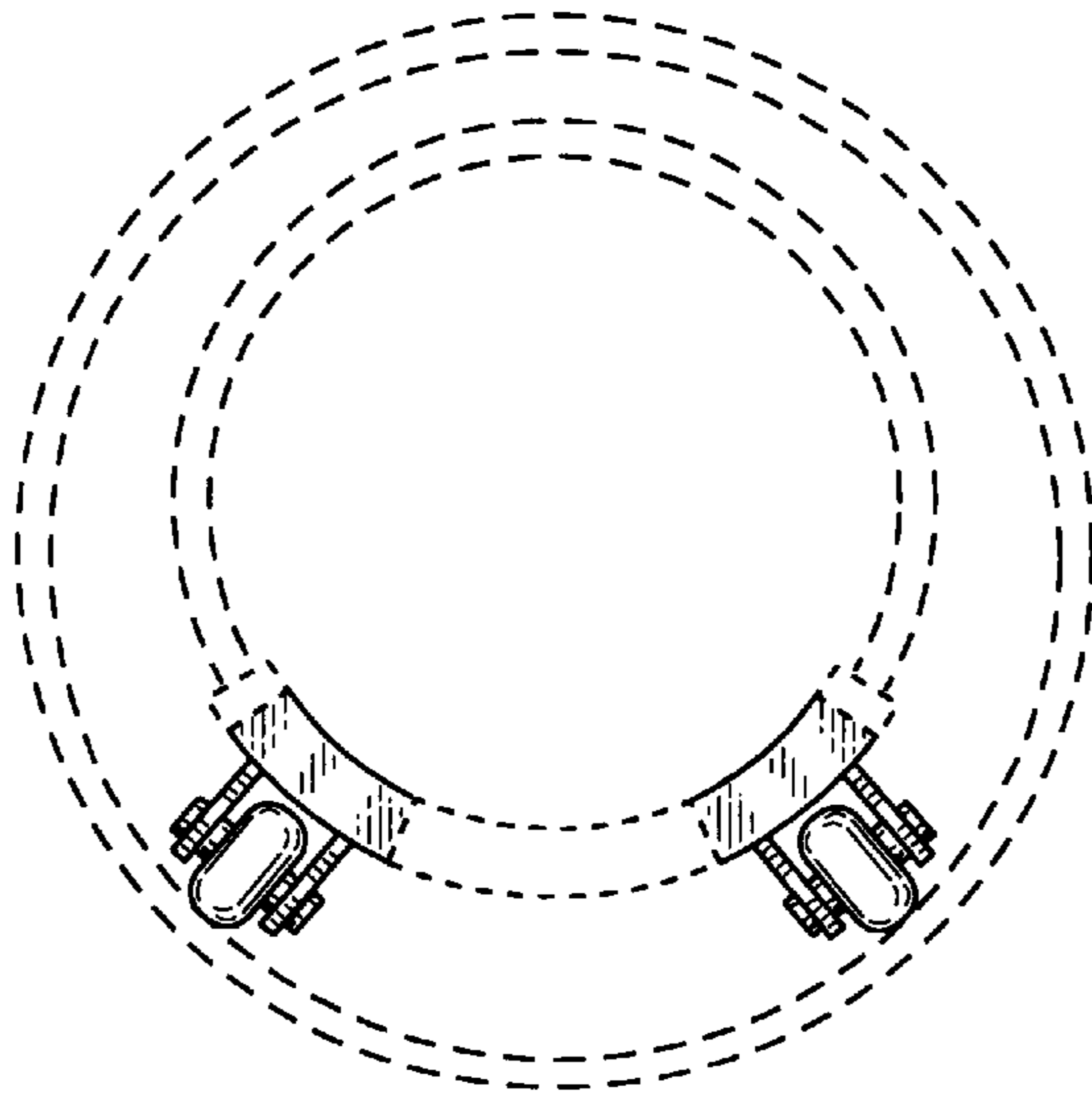


FIG. 1

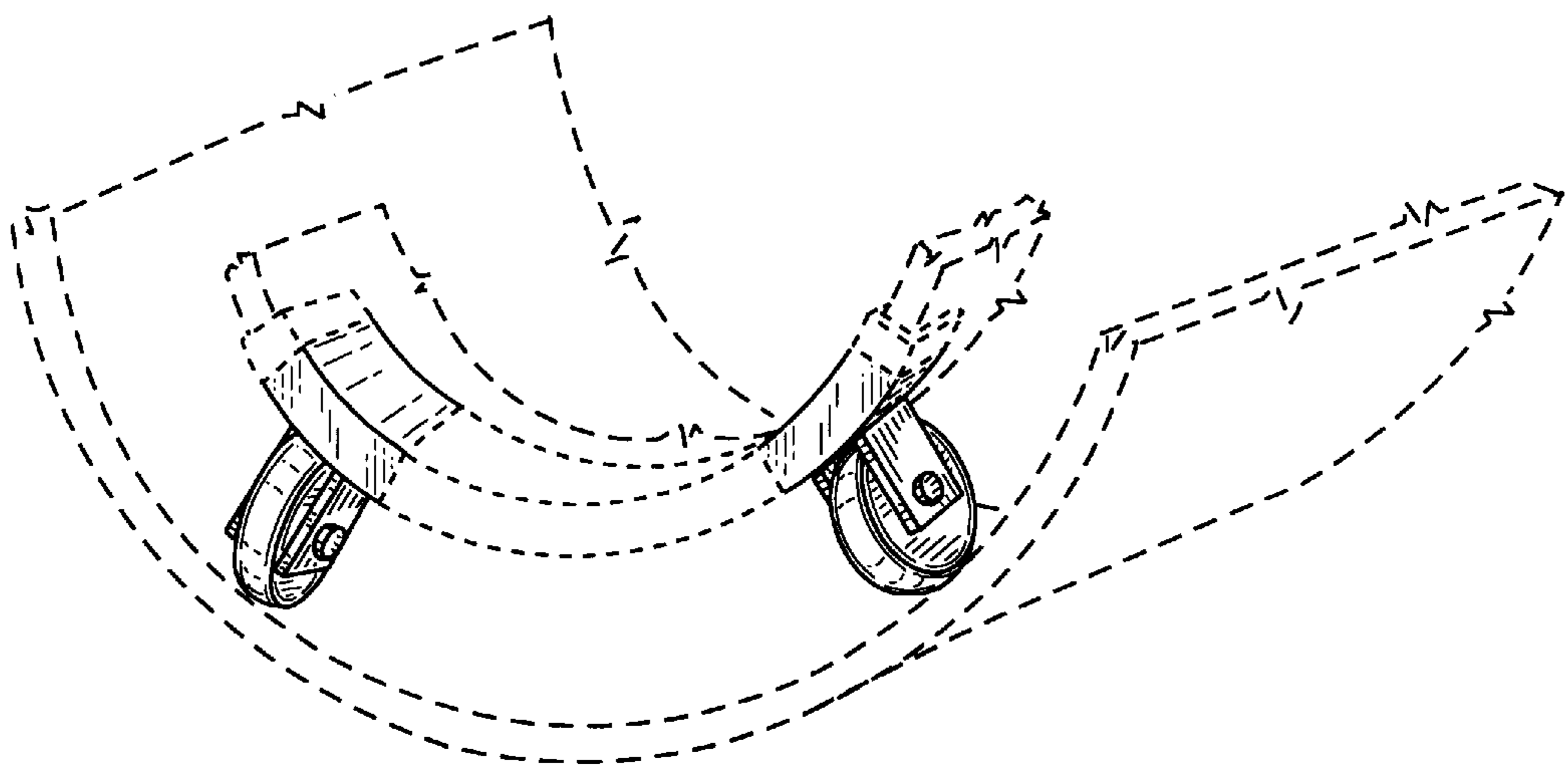


FIG. 2