



US00D489962S

(12) **United States Design Patent**
Hodjat et al.

(10) **Patent No.:** **US D489,962 S**

(45) **Date of Patent:** **** May 18, 2004**

(54) **CRANKSHAFT DAMPER**

(75) Inventors: **Yahya Hodjat**, Oxford, MI (US); **Lin Zhu**, Rochester Hills, MI (US)

(73) Assignee: **The Gates Corporation**, Denver, CO (US)

(**) Term: **14 Years**

(21) Appl. No.: **29/172,469**

(22) Filed: **Dec. 11, 2002**

(51) **LOC (7) Cl.** **08-99**

(52) **U.S. Cl.** **D8/360**

(58) **Field of Search** D8/360; D23/386;
29/892.1, 892.11, 892.2, 892.3; 72/82; 474/94,
166, 168, 169, 170, 174, 175, 177, 178,
179, 180, 181, 182, 183, 184, 190, 902,
903

(56) **References Cited**

U.S. PATENT DOCUMENTS

75,735 A	3/1868	Collins et al.	
849,025 A *	4/1907	Sharp	474/183
2,352,474 A	6/1944	Firth et al.	74/230.11
2,413,817 A	1/1947	Firth	74/230.15
2,646,689 A	7/1953	Maher	74/230.8
2,915,908 A *	12/1959	Warnkey	29/892.11
2,929,345 A *	3/1960	Zatyko, Sr.	474/169
D252,751 S *	8/1979	Painter et al.	D8/360
4,197,756 A *	4/1980	Yaros	29/892.1
D267,472 S	1/1983	Kanemitsu	D8/360
4,473,363 A	9/1984	McCutchan, Jr.	474/161
D297,707 S	9/1988	Kanemitsu	D8/360

4,824,422 A	4/1989	Jocic	474/170
D308,013 S	5/1990	Kanemitsu	D8/360
D313,932 S	1/1991	Kanemitsu	D8/360
D317,709 S	6/1991	Kanemitsu	D8/360
D320,927 S	10/1991	Kanemitsu	D8/360
D322,553 S	12/1991	Kanemitsu	D8/360
D347,378 S	5/1994	Warner	D8/360
5,465,485 A	11/1995	Miyake et al.	29/892.11
5,507,698 A	4/1996	Kuribayashi	474/170
5,540,626 A	7/1996	Asai et al.	474/94
5,591,093 A	1/1997	Asai et al.	474/94
D459,198 S *	6/2002	Hodjat	D8/360

* cited by examiner

Primary Examiner—Robert M. Spear

Assistant Examiner—Elizabeth A. Albert

(74) *Attorney, Agent, or Firm*—J. A. Thurnau, Esq.; C. H. Castleman, Esq.; S. G. Austin, Esq.

(57) **CLAIM**

The ornamental design for a crankshaft damper, as shown and described.

DESCRIPTION

FIG. 1 is a front plan view.

FIG. 2 is a sectional view along lines 2—2 in FIG. 1.

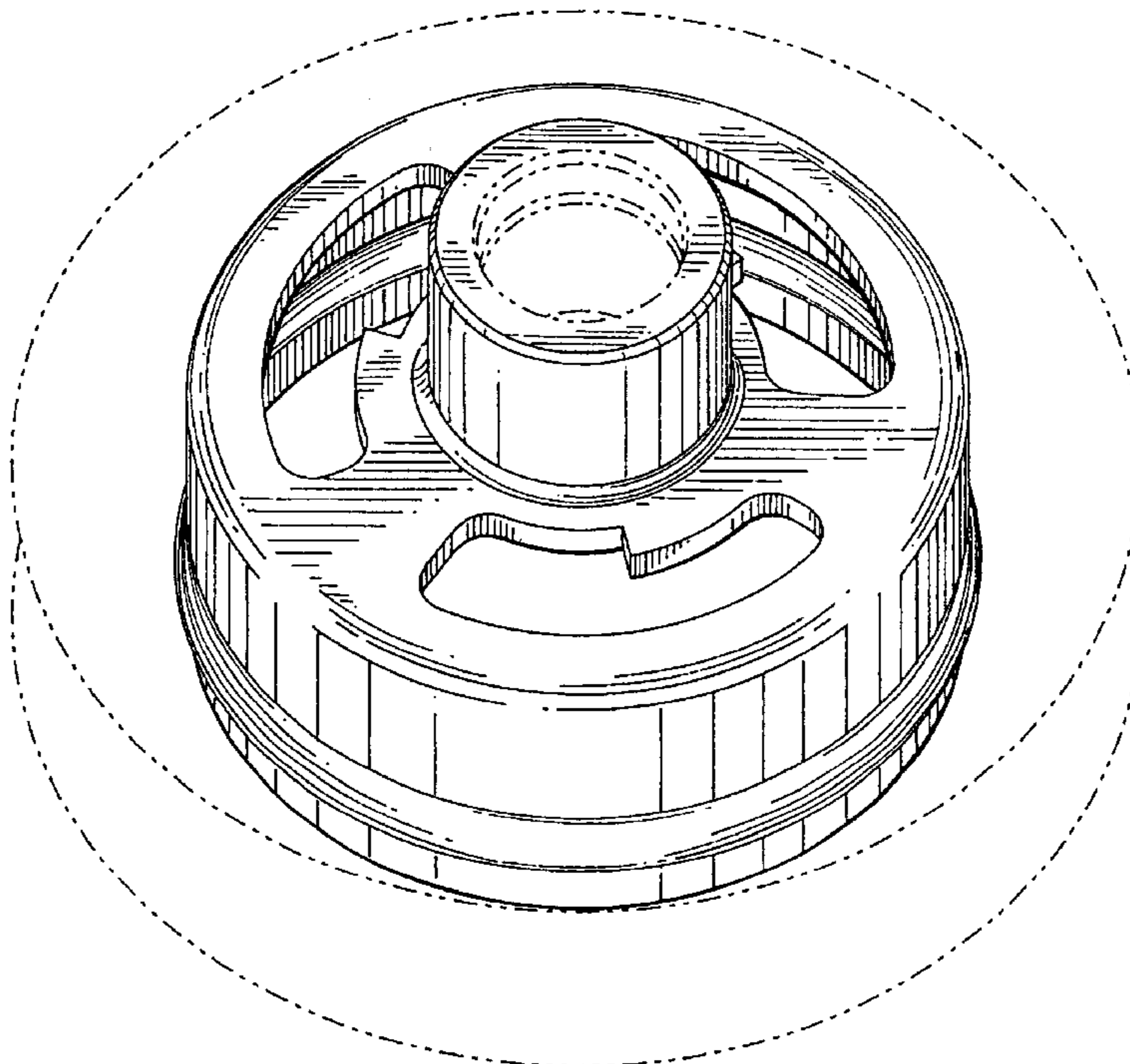
FIG. 3 is a rear plan view.

FIG. 4 is a side elevation view; and,

FIG. 5 is a perspective front view.

The broken lines showing environment in the drawings are for illustrative purposes only and form no part of the claimed design; the broken lines in FIGS. 1, 2, 3 and 5 showing the central aperture define the inner boundary of the claim.

1 Claim, 3 Drawing Sheets



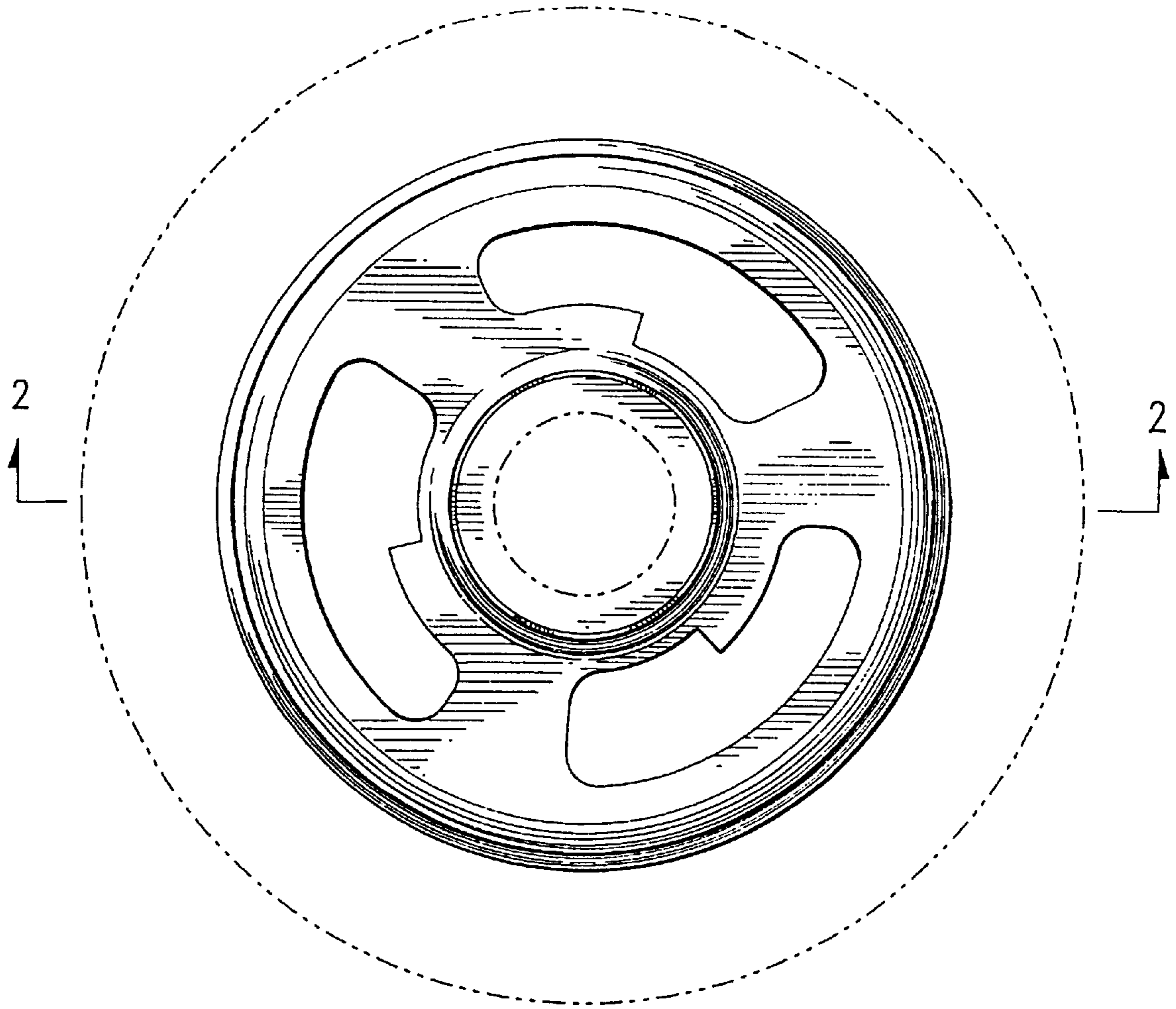


FIG.1

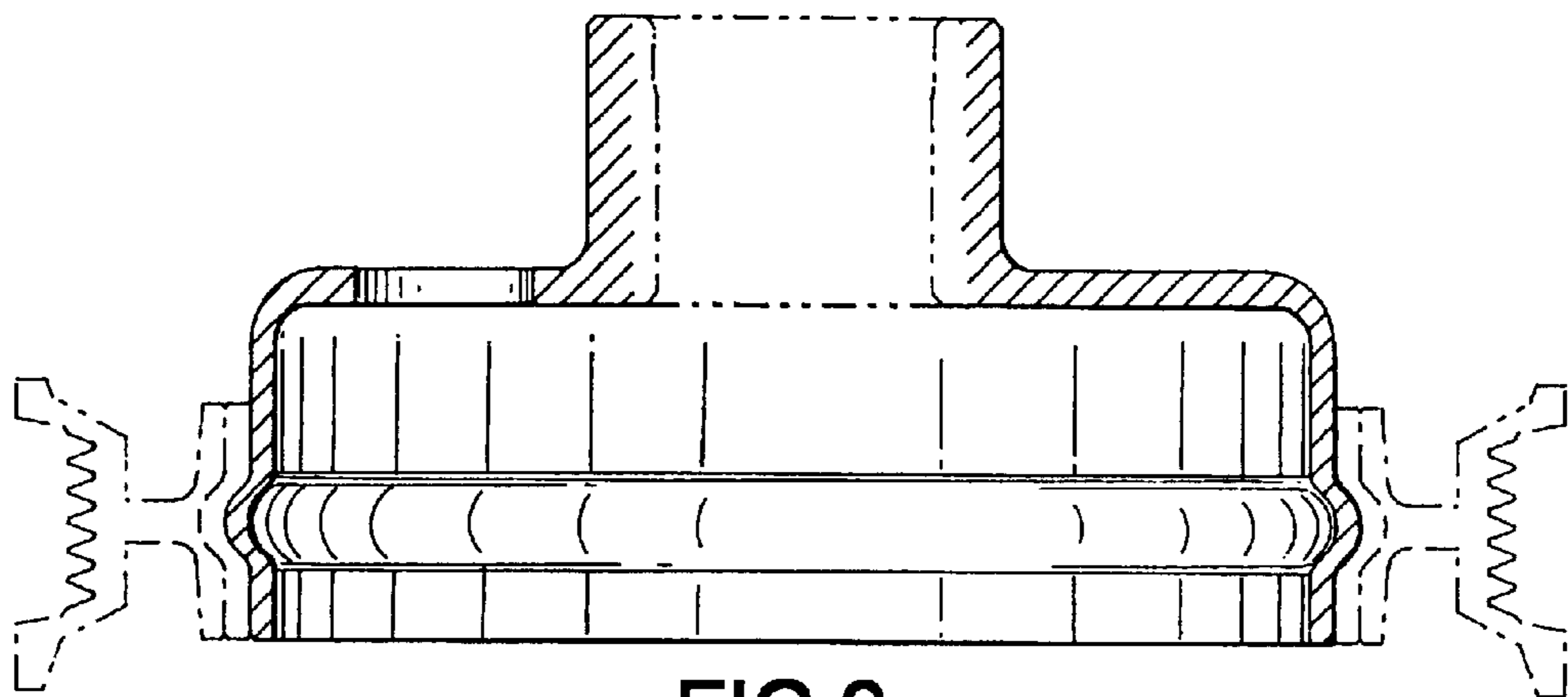


FIG.2

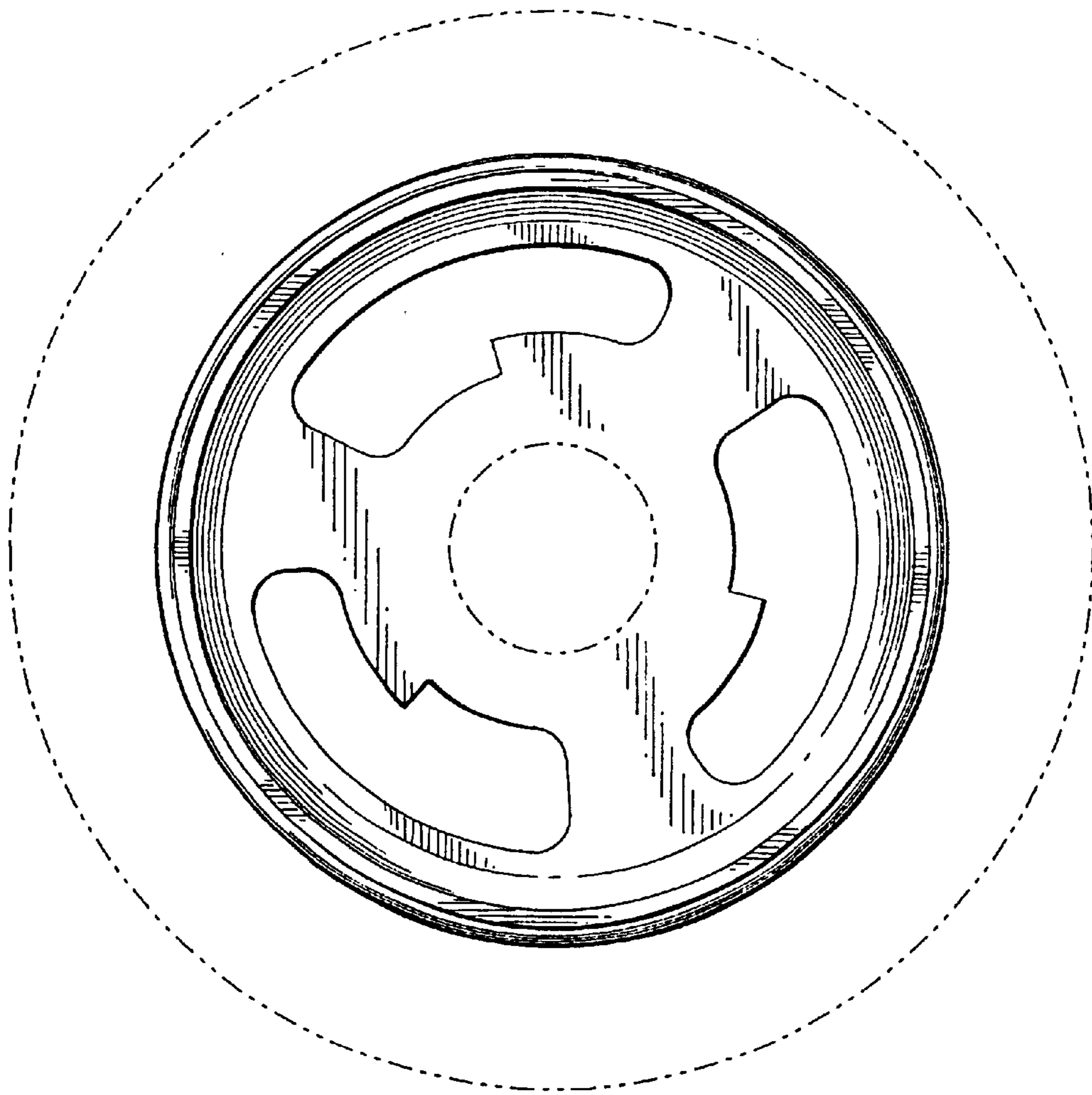


FIG.3

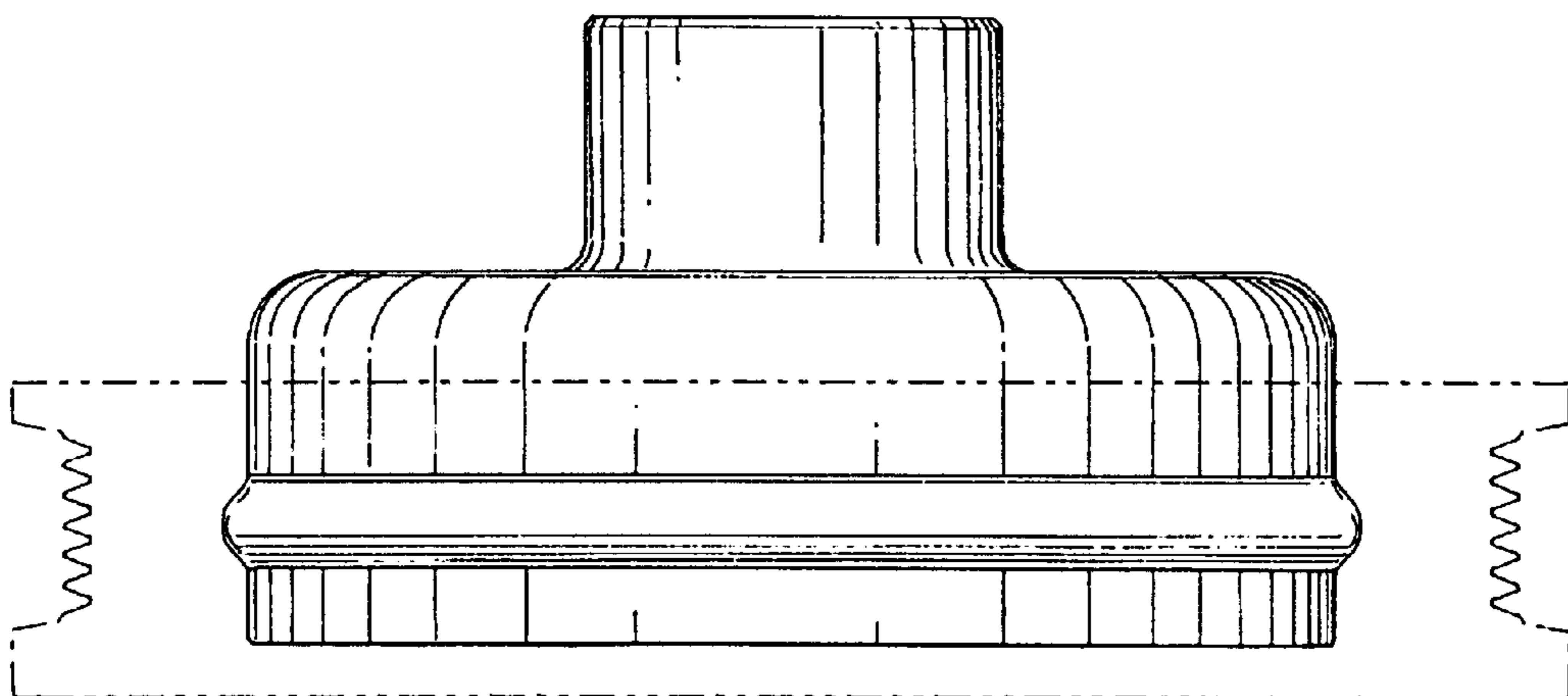


FIG.4

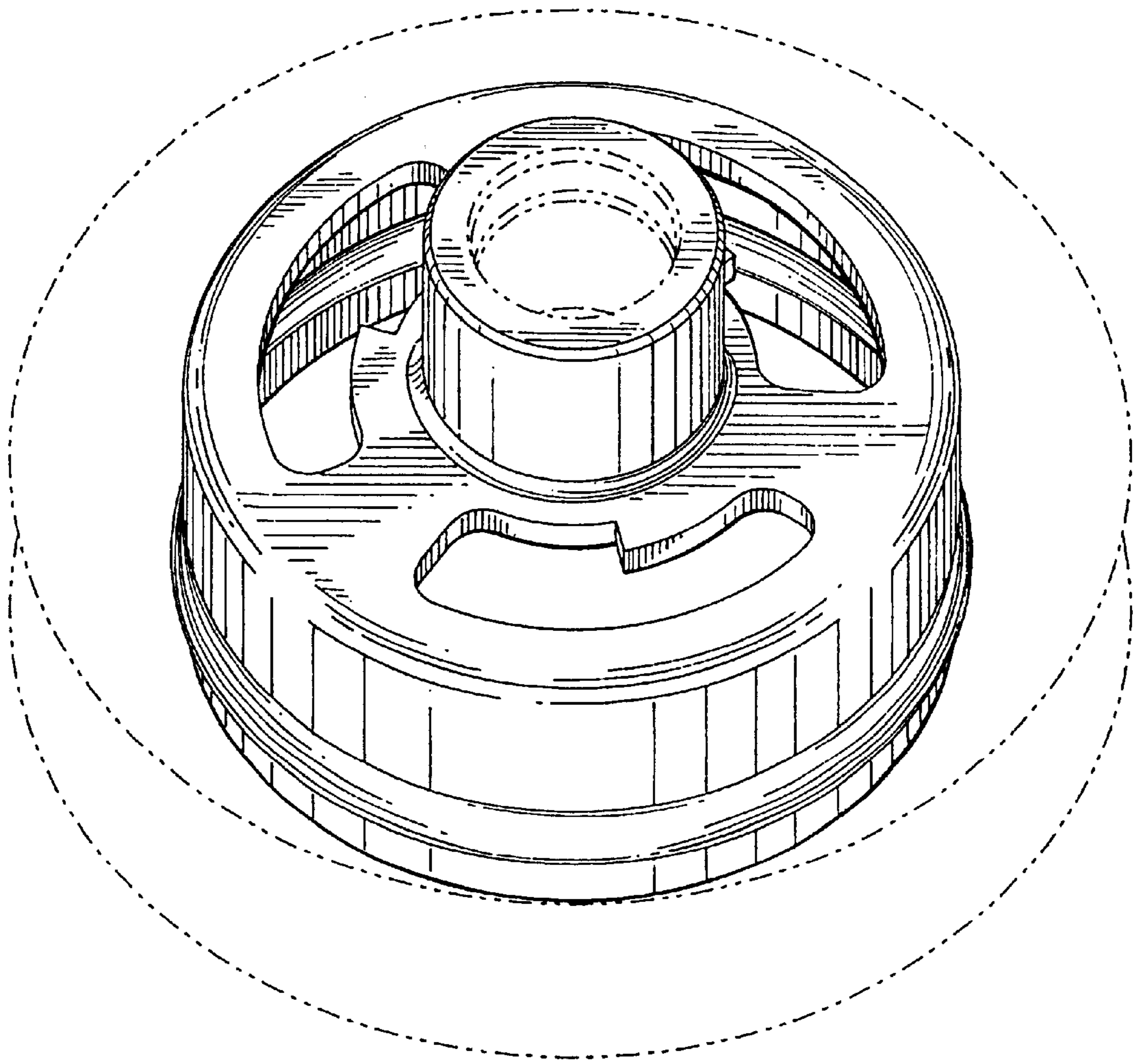


FIG.5