



US00D489959S

(12) **United States Design Patent**
Jackson et al.

(10) **Patent No.: US D489,959 S**

(45) **Date of Patent: ** May 18, 2004**

(54) **COMPRESSION LATCH**

(75) Inventors: **Joseph W. Jackson**, Wilmington, DE (US); **Gerard J. Clisham**, West Chester, PA (US); **Jeremy L. Godin**, West Chester, PA (US)

(73) Assignee: **Southco, Inc.**, Concordville, PA (US)

(**) Term: **14 Years**

(21) Appl. No.: **29/167,953**

(22) Filed: **Sep. 24, 2002**

(51) **LOC (7) Cl.** **08-03**

(52) **U.S. Cl.** **D8/331; D8/343**

(58) **Field of Search** D8/330, 331, 339, D8/341, 302, 336, 343; 292/237, 96, DIG. 30, DIG. 31, 336.5, 63-67; 70/91, 97, 94, 206, 77-79, 101, 102, 210

(56) **References Cited**

U.S. PATENT DOCUMENTS

2,744,406 A * 5/1956 Labrie 70/96
4,556,244 A 12/1985 Bisbing

(List continued on next page.)

OTHER PUBLICATIONS

Southco Handbook 2000, pp. 40-48 and 108.
Southco Handbook 2002, pp. 44-52, 110 and 111.

(List continued on next page.)

Primary Examiner—Prabhakar Deshmukh

(74) *Attorney, Agent, or Firm*—Paul & Paul

(57) **CLAIM**

The ornamental design for a compression latch, as shown and described.

DESCRIPTION

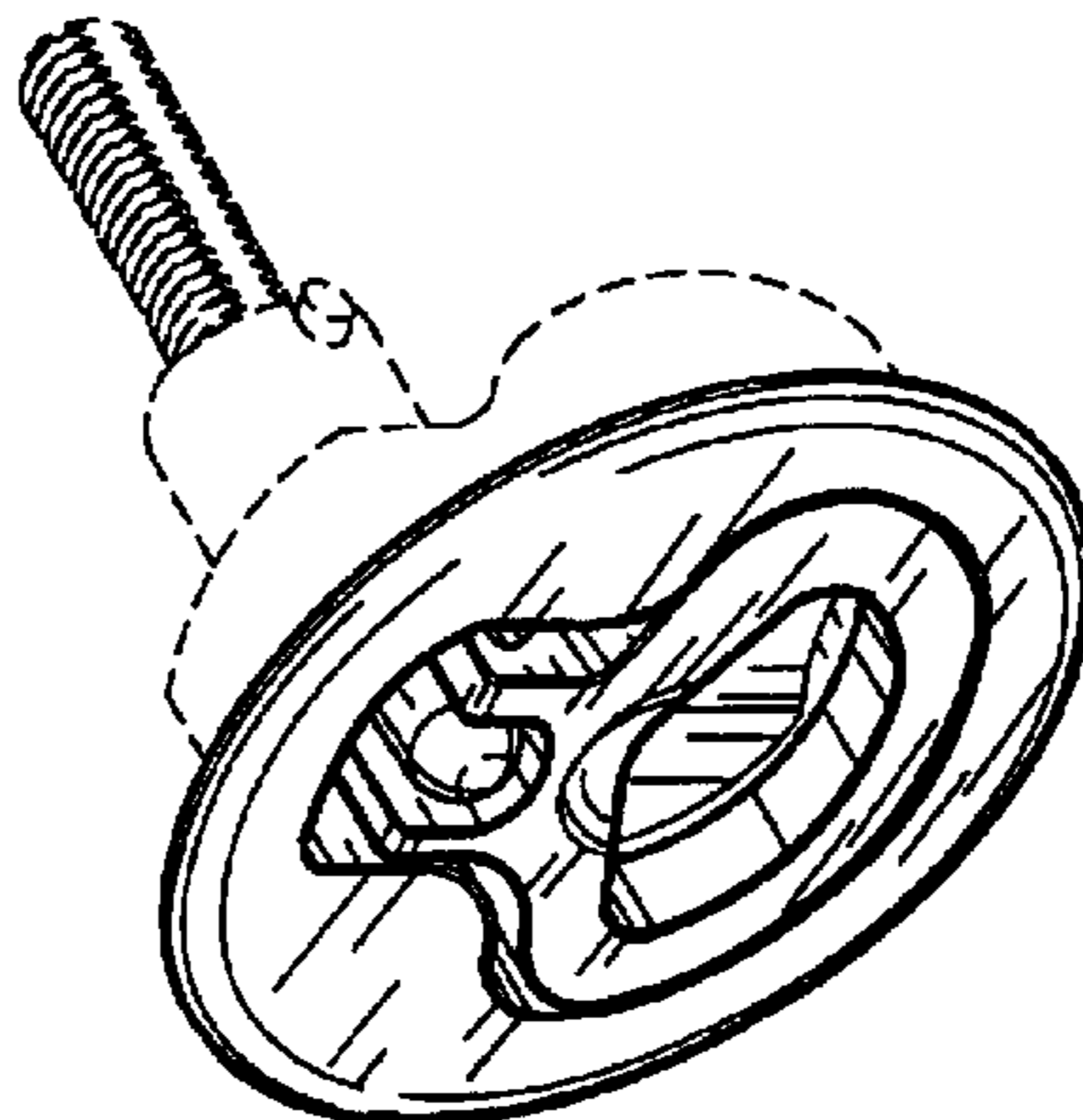
FIG. 1 is a perspective view of an embodiment of a compression latch embodying our new design with the compression latch in the latched configuration and the handle folded down;

FIG. 2 is a right side elevational view thereof, the left side elevational view being a mirror image of the right side;

FIG. 3 is a front elevational view thereof;
FIG. 4 is a rear elevational view thereof;
FIG. 5 is a top plan view thereof;
FIG. 6 is a bottom plan view thereof;
FIG. 7 is a perspective view of the compression latch of FIGS. 1-6, showing the handle raised up;
FIG. 8 is a right side elevational view of the compression latch of FIG. 7, the left side elevational view being a mirror image of the right side;
FIG. 9 is a front elevational view of the compression latch of FIG. 7;
FIG. 10 is a rear elevational view of the compression latch of FIG. 7;
FIG. 11 is a top plan view of the compression latch of FIG. 7;
FIG. 12 is a bottom plan view of the compression latch of FIG. 7;
FIG. 13 is a perspective view of the compression latch of FIGS. 7-12, showing the handle rotated 180°;
FIG. 14 is a right side elevational view of the compression latch of FIG. 13, the left side elevational view being a mirror image of the right side;
FIG. 15 is a front elevational view of the compression latch of FIG. 13;
FIG. 16 is a rear elevational view of the compression latch of FIG. 13;
FIG. 17 is a top plan view of the compression latch of FIG. 13;
FIG. 18 is a bottom plan view of the compression latch of FIG. 13;
FIG. 19 is a perspective view of the compression latch of FIGS. 13-18, showing the handle folded down;
FIG. 20 is a right side elevational view of the compression latch of FIG. 19, the left side elevational view being a mirror image of the right side;
FIG. 21 is a front elevational view of the compression latch of FIG. 19;
FIG. 22 is a rear elevational view of the compression latch of FIG. 19;
FIG. 23 is a top plan view of the compression latch of FIG. 19; and,
FIG. 24 is a bottom plan view of the compression latch of FIG. 19.

The portions of the compression latch shown in dashed lines do not form part of the claimed design.

1 Claim, 4 Drawing Sheets



US D489,959 S

Page 2

U.S. PATENT DOCUMENTS

4,583,775 A 4/1986 Bisbing
4,706,478 A * 11/1987 Swan et al. 292/336.3
4,763,935 A 8/1988 Bisbing
D324,636 S 3/1992 Schlack et al.
D328,231 S * 7/1992 Hansen D8/338
D370,620 S * 6/1996 Ziemer
6,109,669 A * 8/2000 Pinkow 292/DIG. 31
D452,808 S * 1/2002 Kyle D8/331
D459,192 S * 6/2002 Weinerman et al. D8/331

D475,602 S * 6/2003 McCloskey D8/331

OTHER PUBLICATIONS

Gemlux Catalog, New Products for 2002, pp. 3, 30 and 31.
Perko Catalog No. 290 (2000–2001), pp. 166–171 and
181–183, 2000.
Detailed photographs of Gemlux Model 1263 Latch—listed
in the Gemlux 2002 Catalog.

* cited by examiner

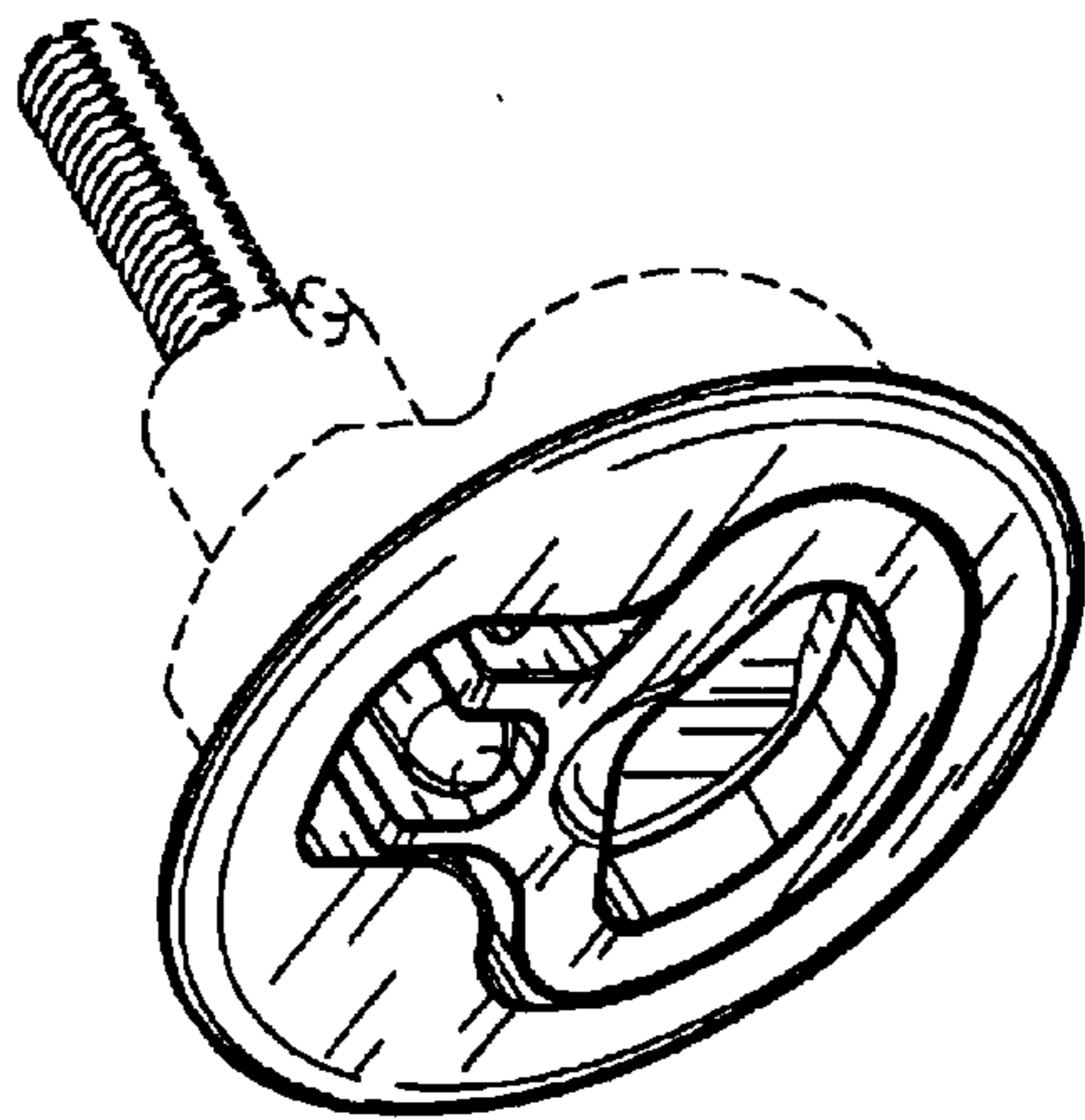


FIG. 1

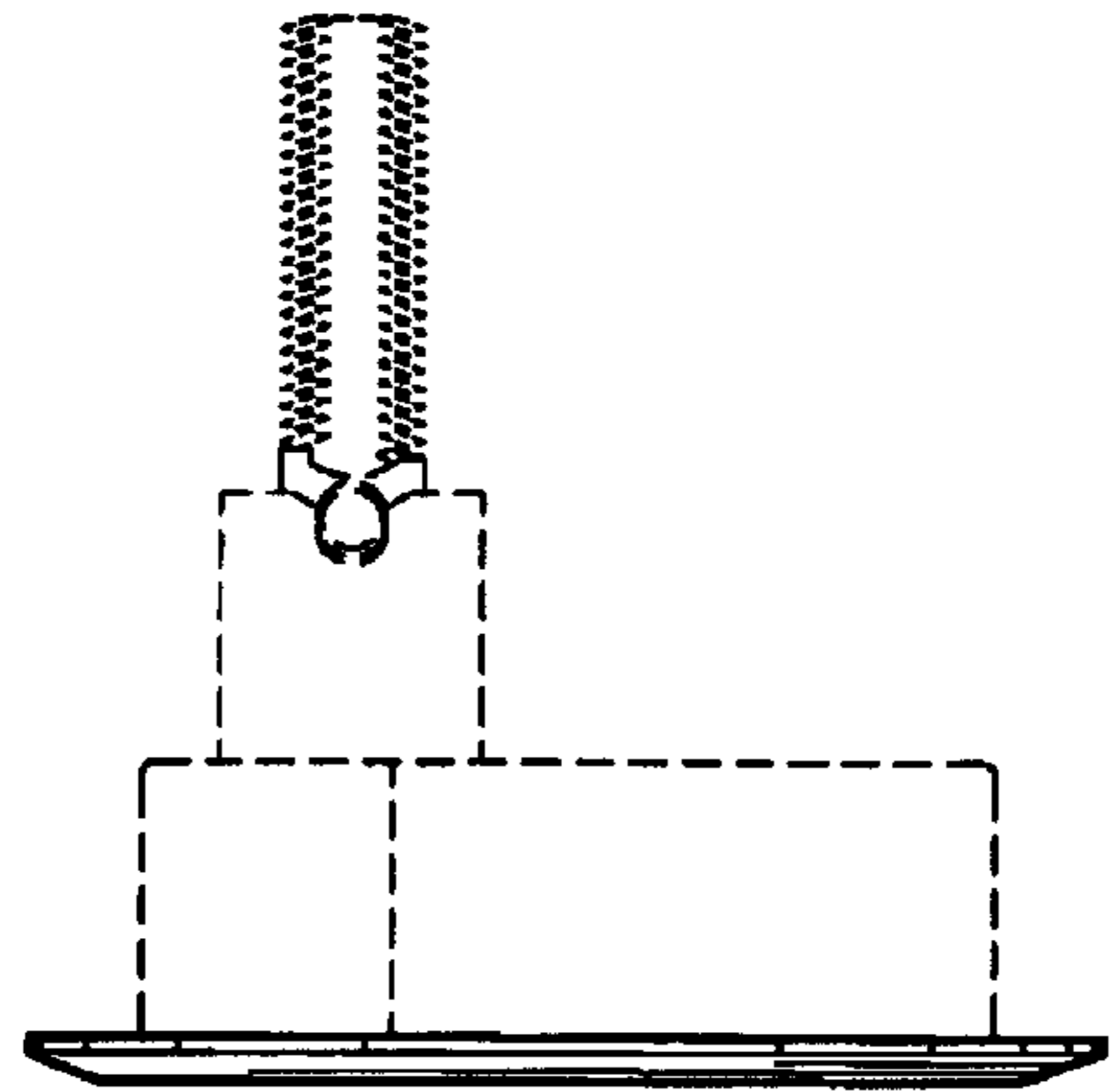


FIG. 2

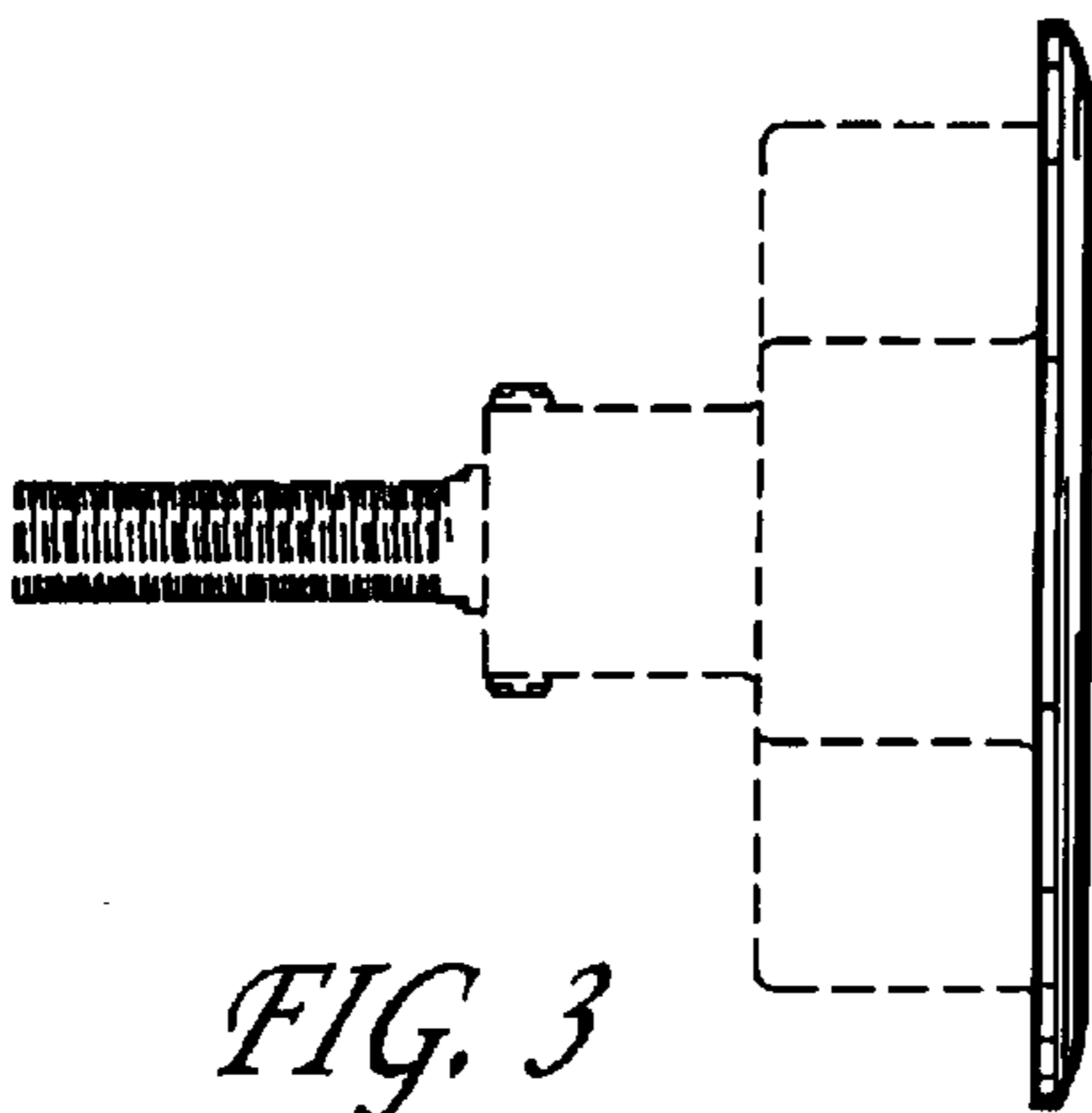


FIG. 3

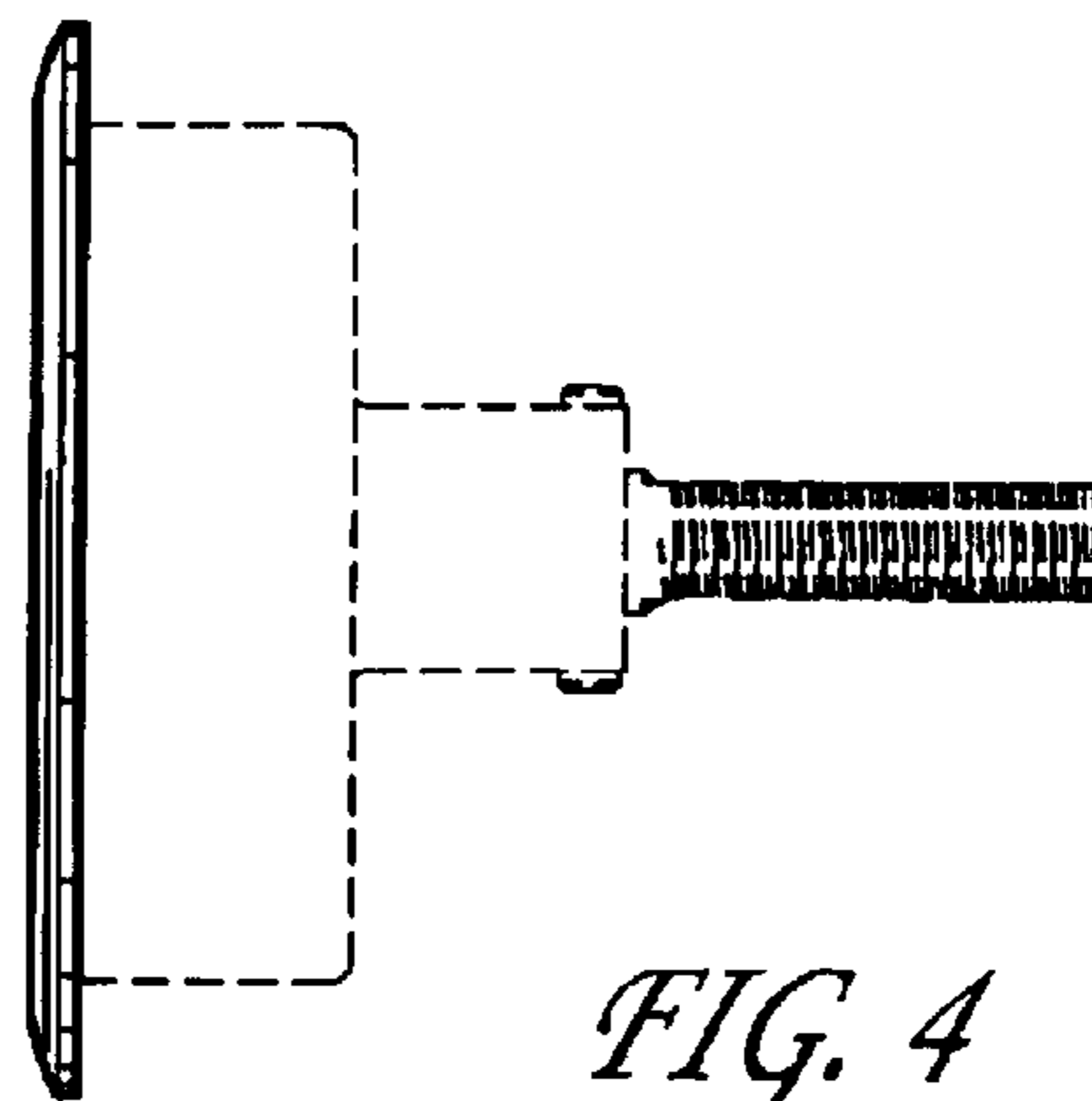


FIG. 4

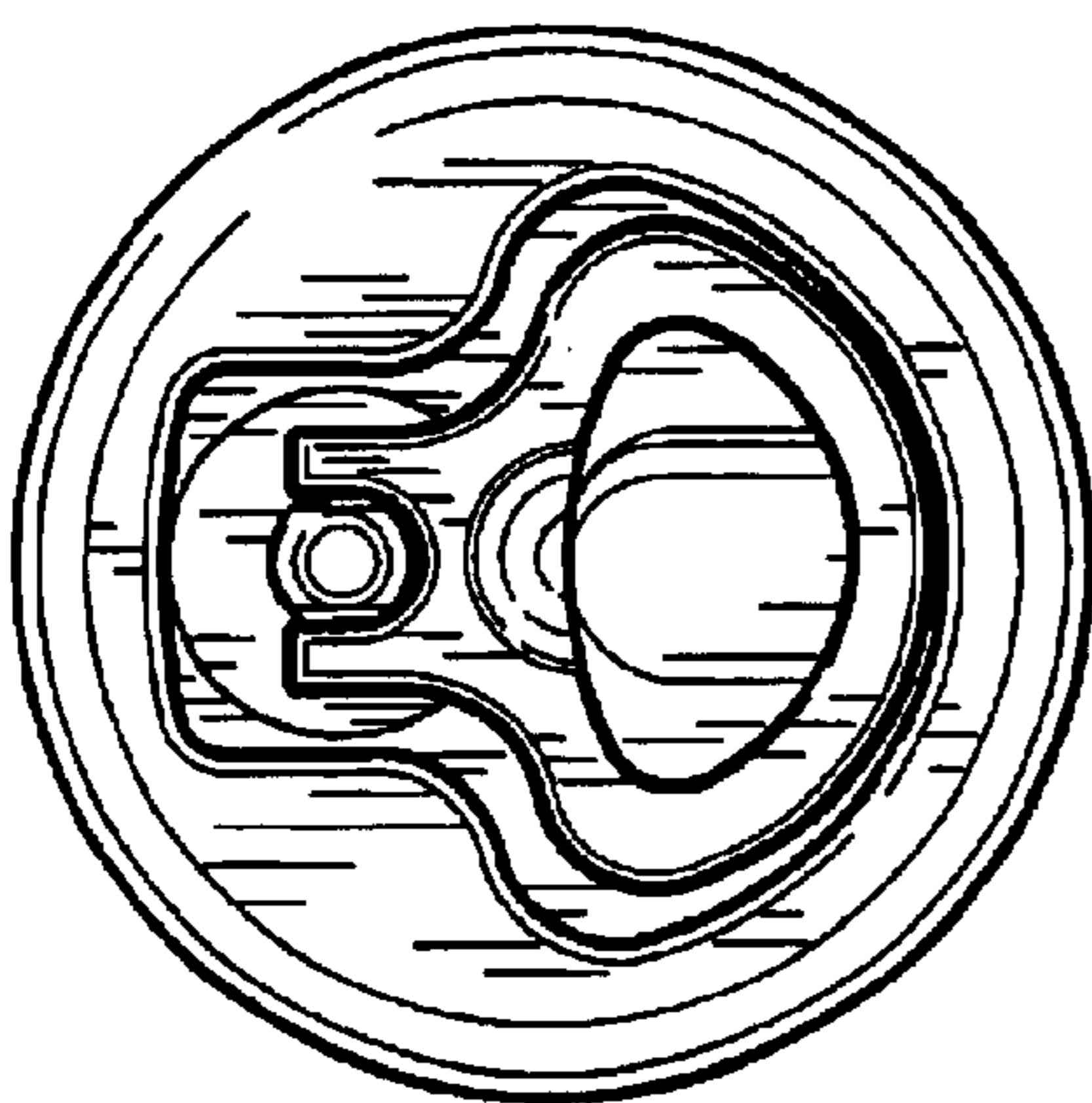


FIG. 5

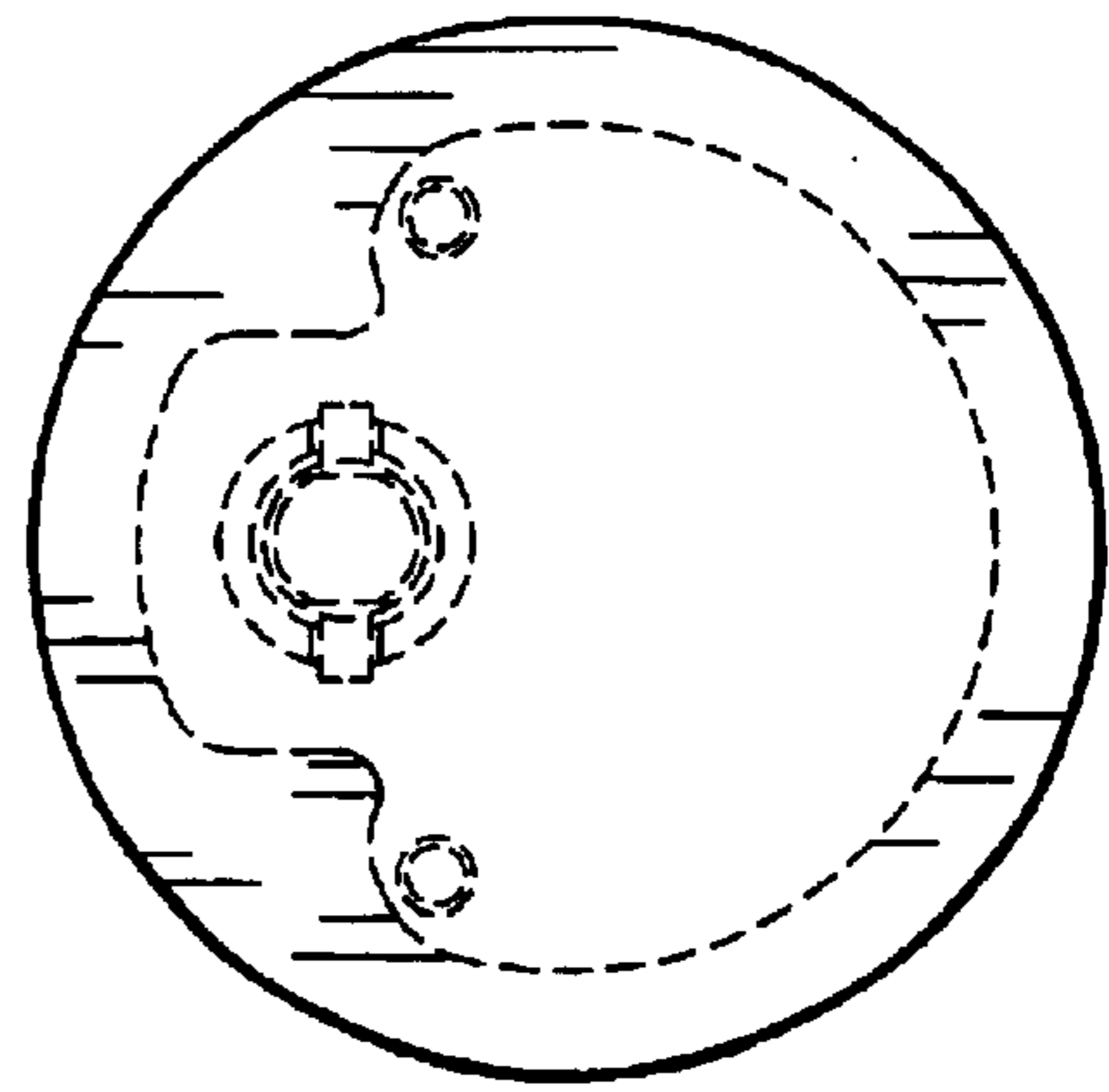
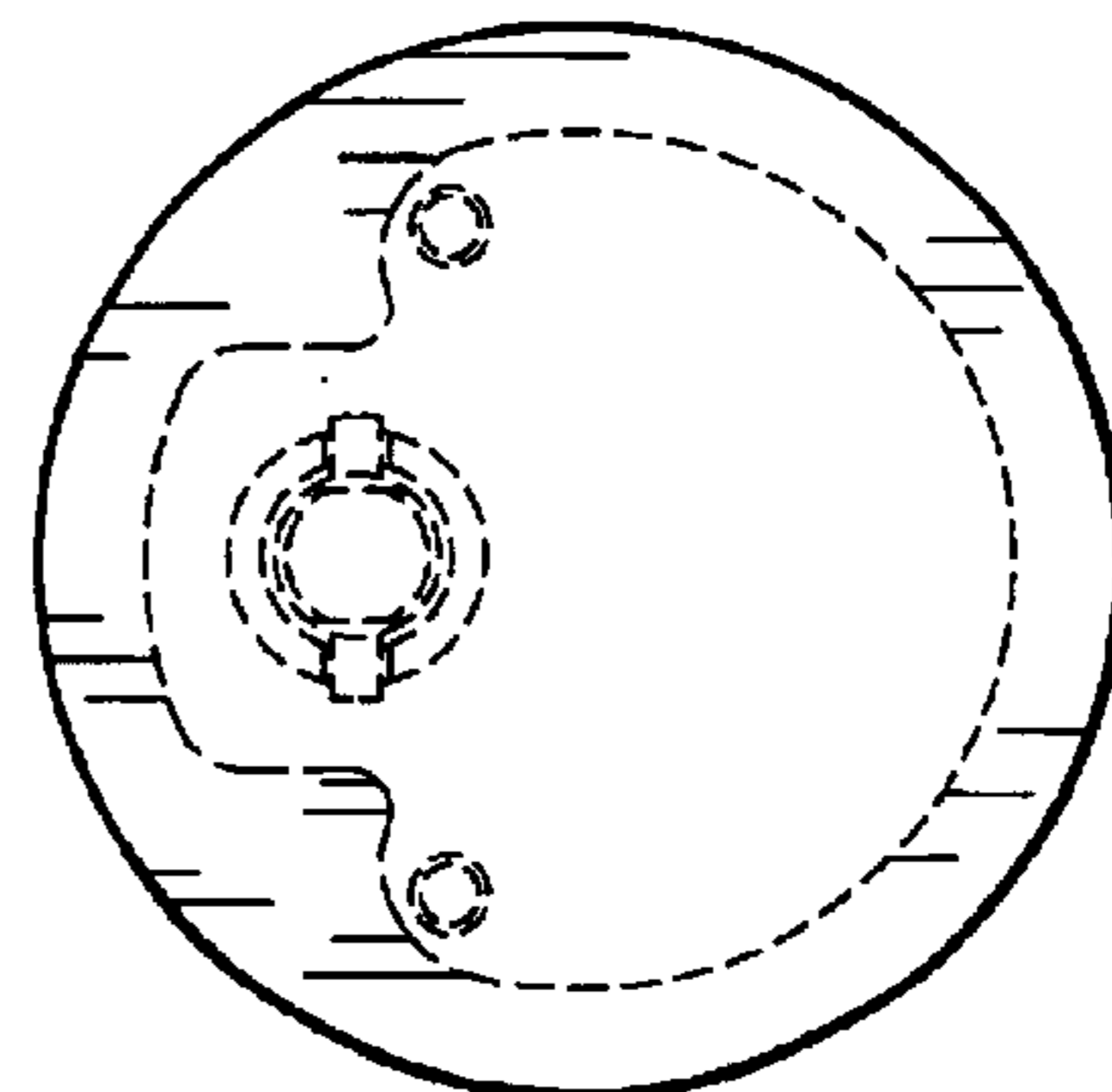
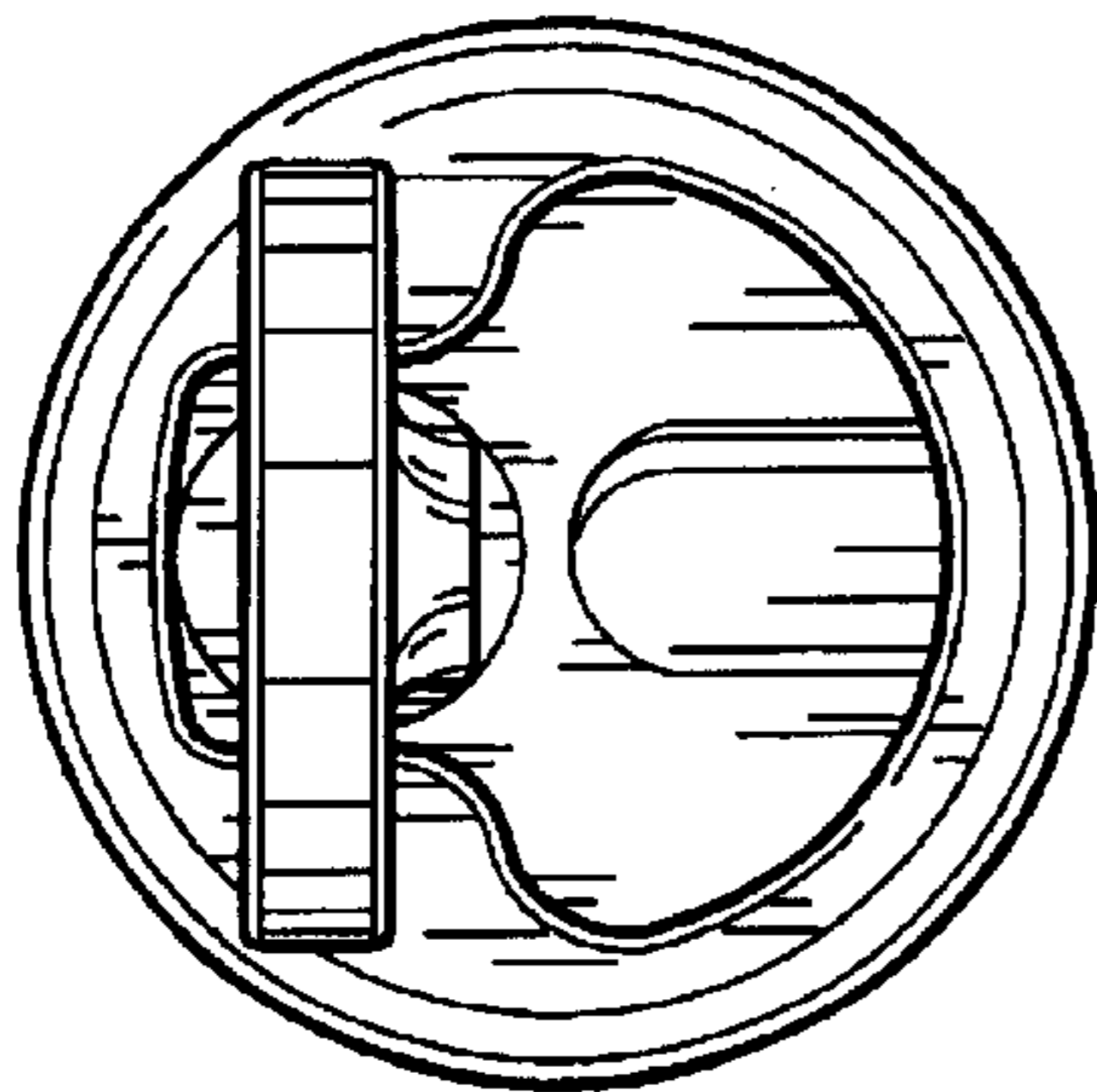
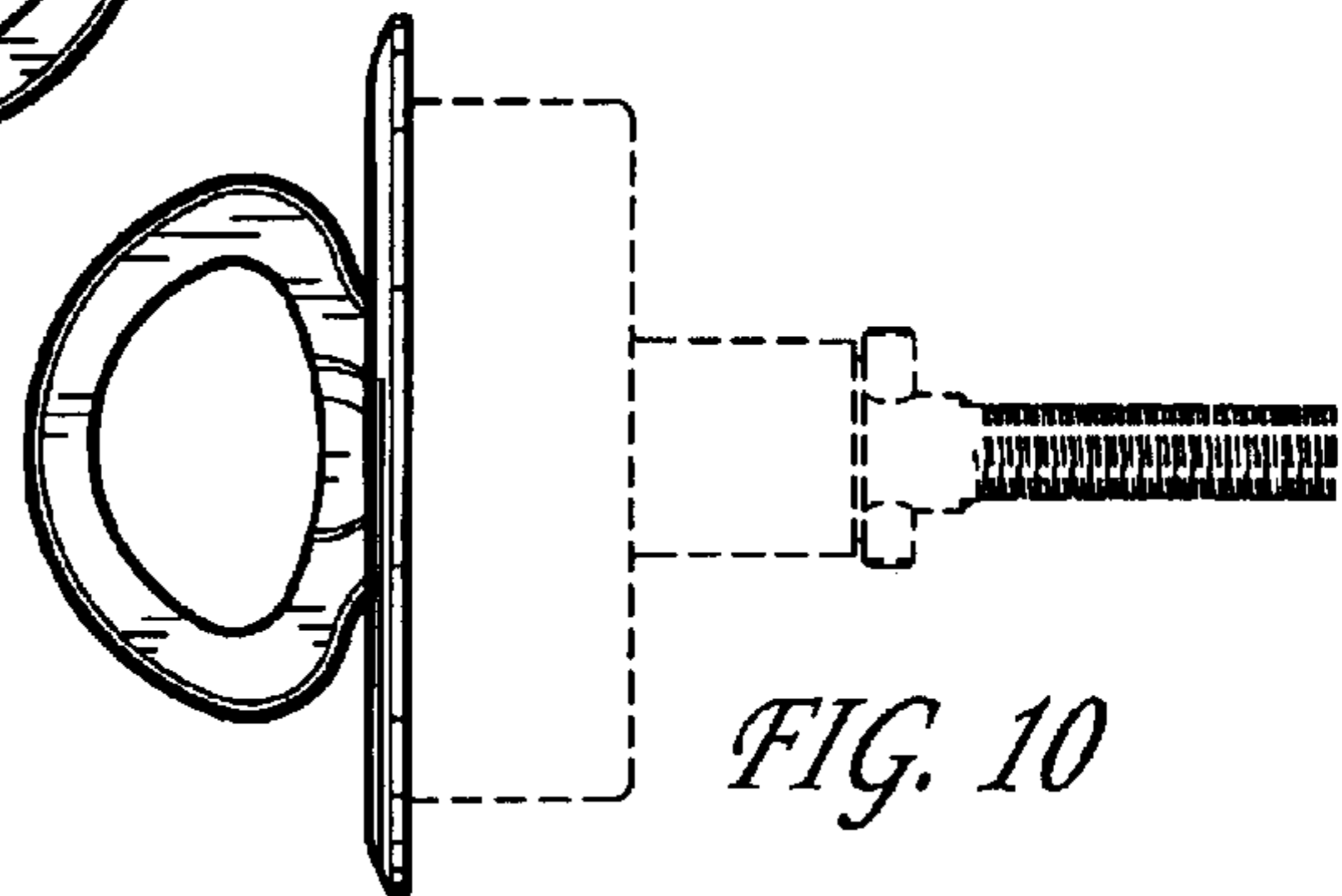
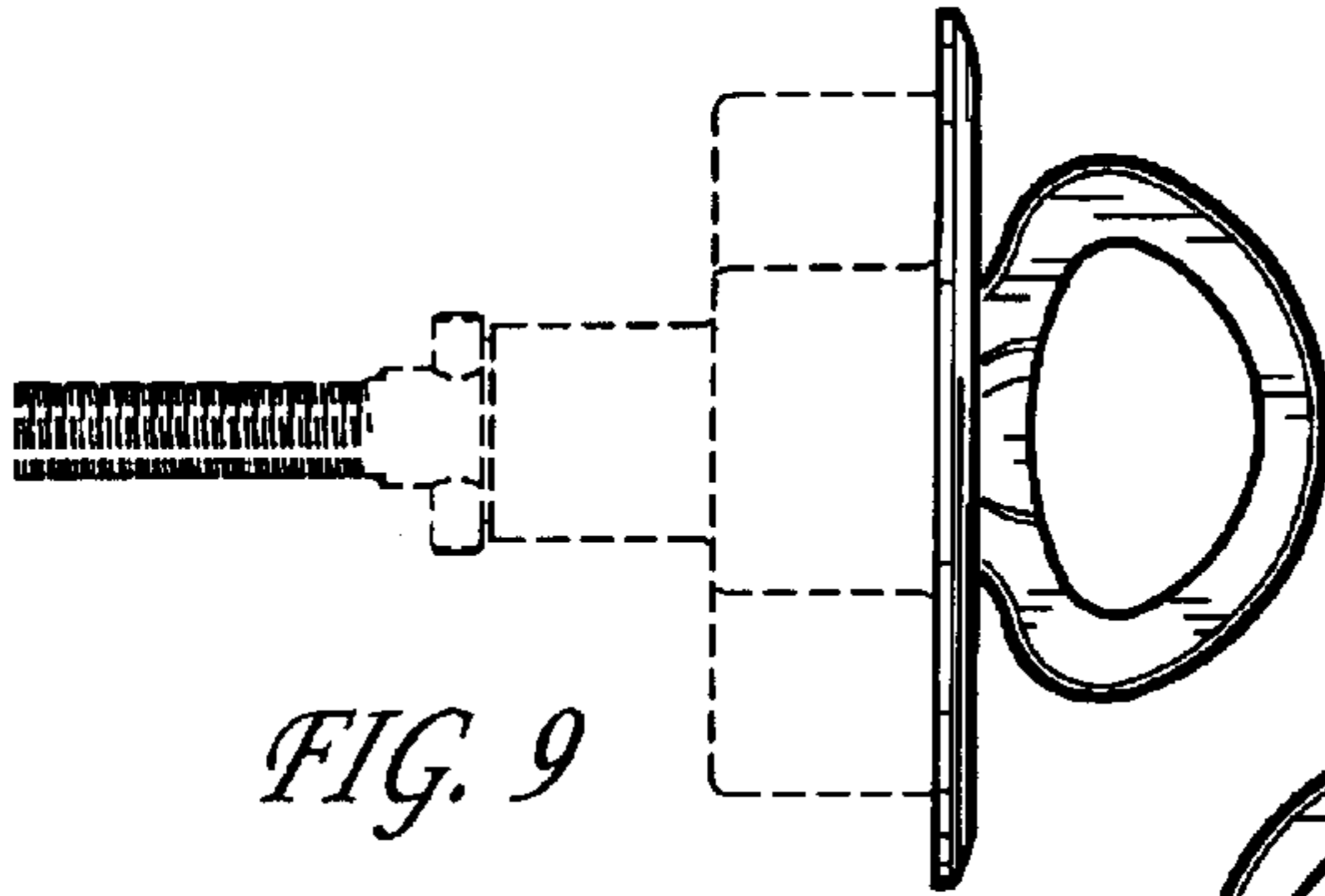
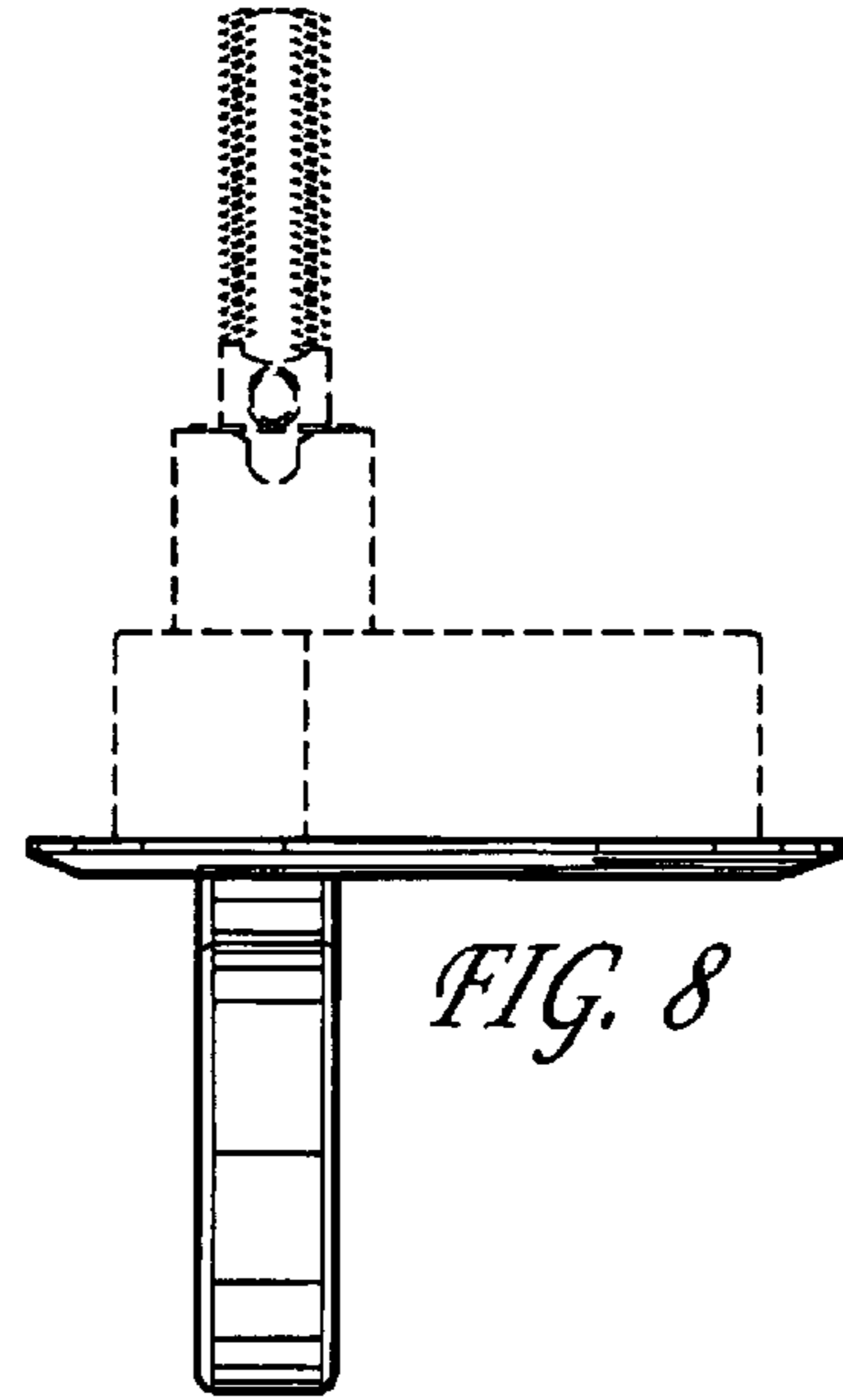
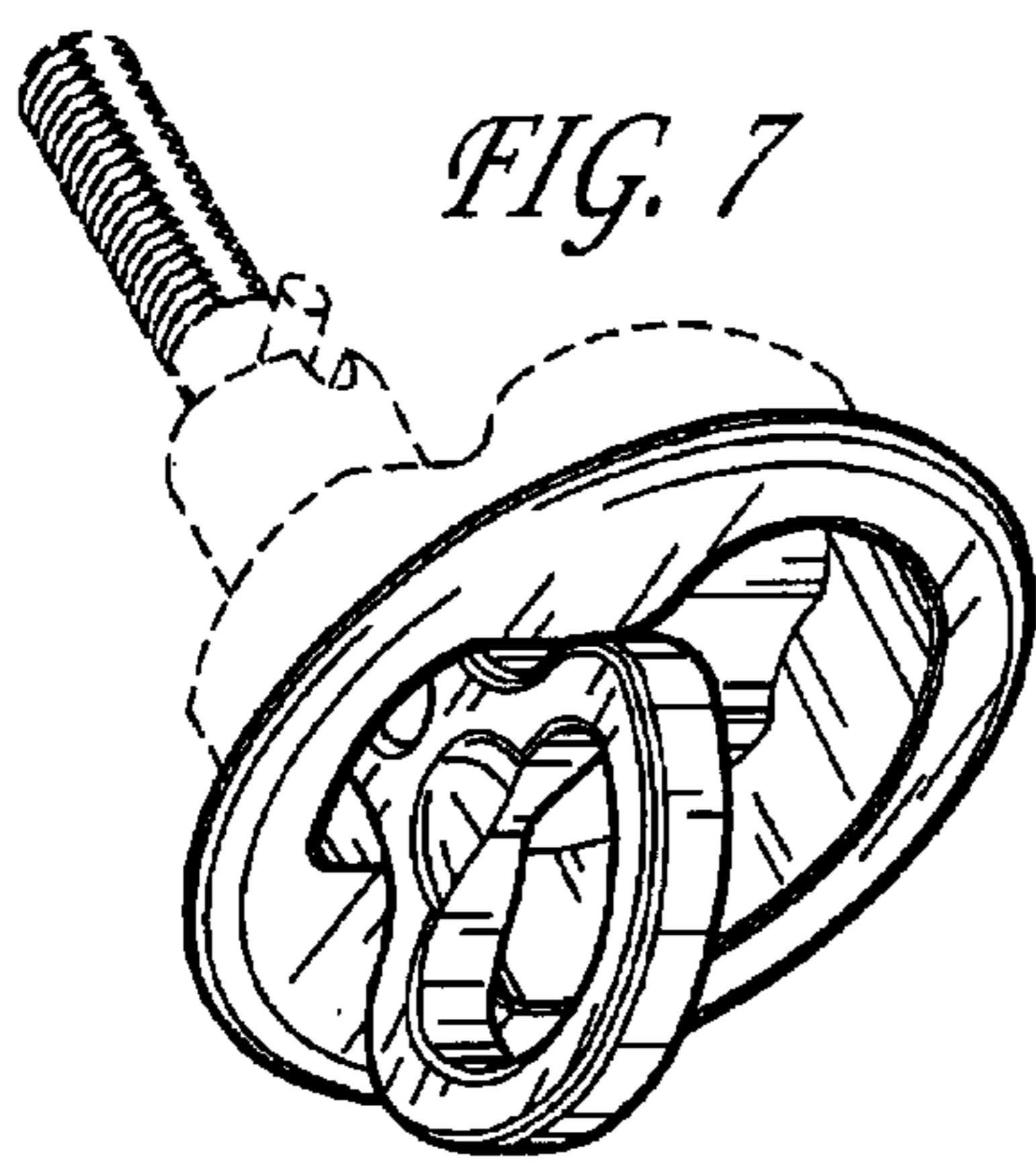
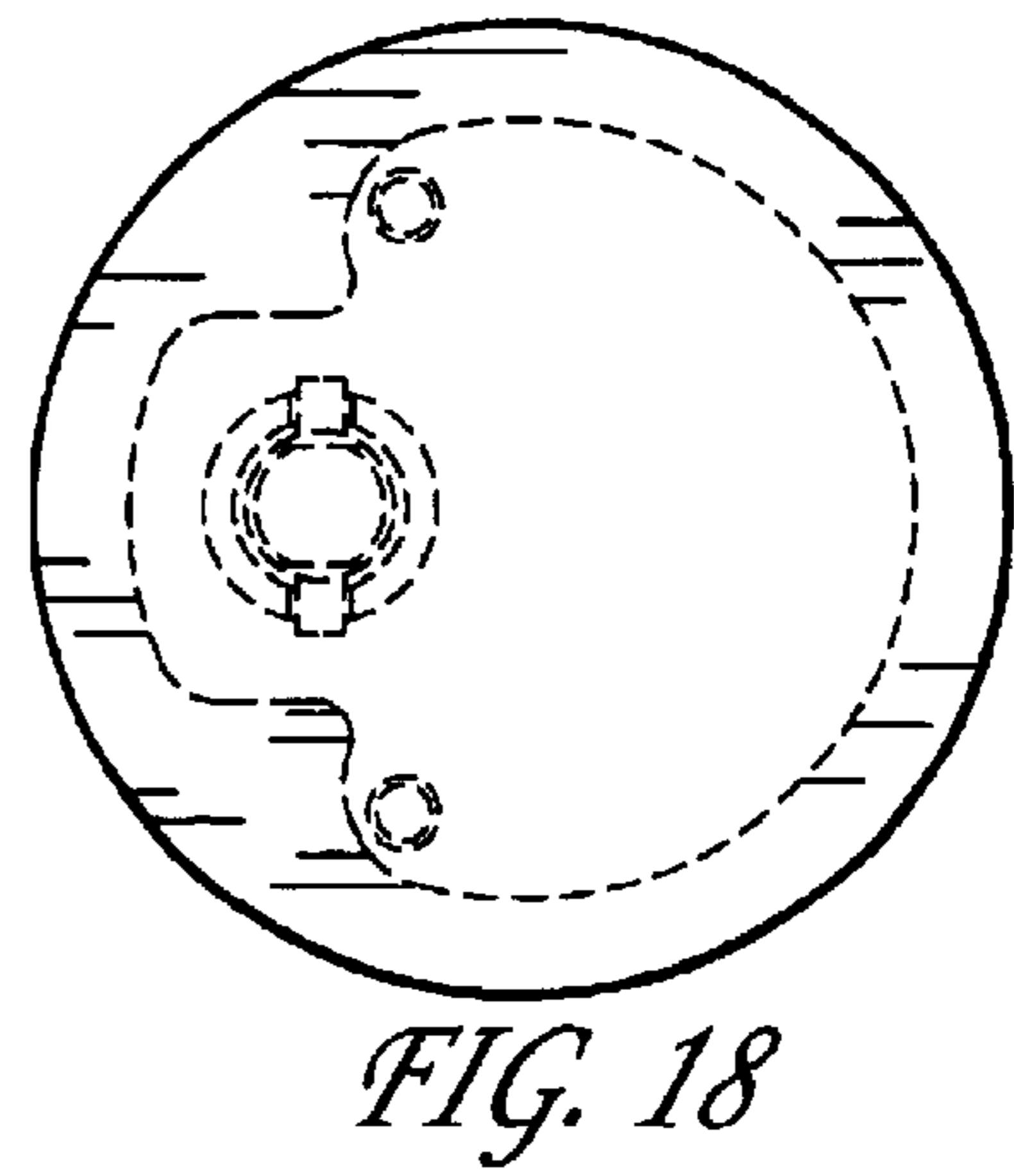
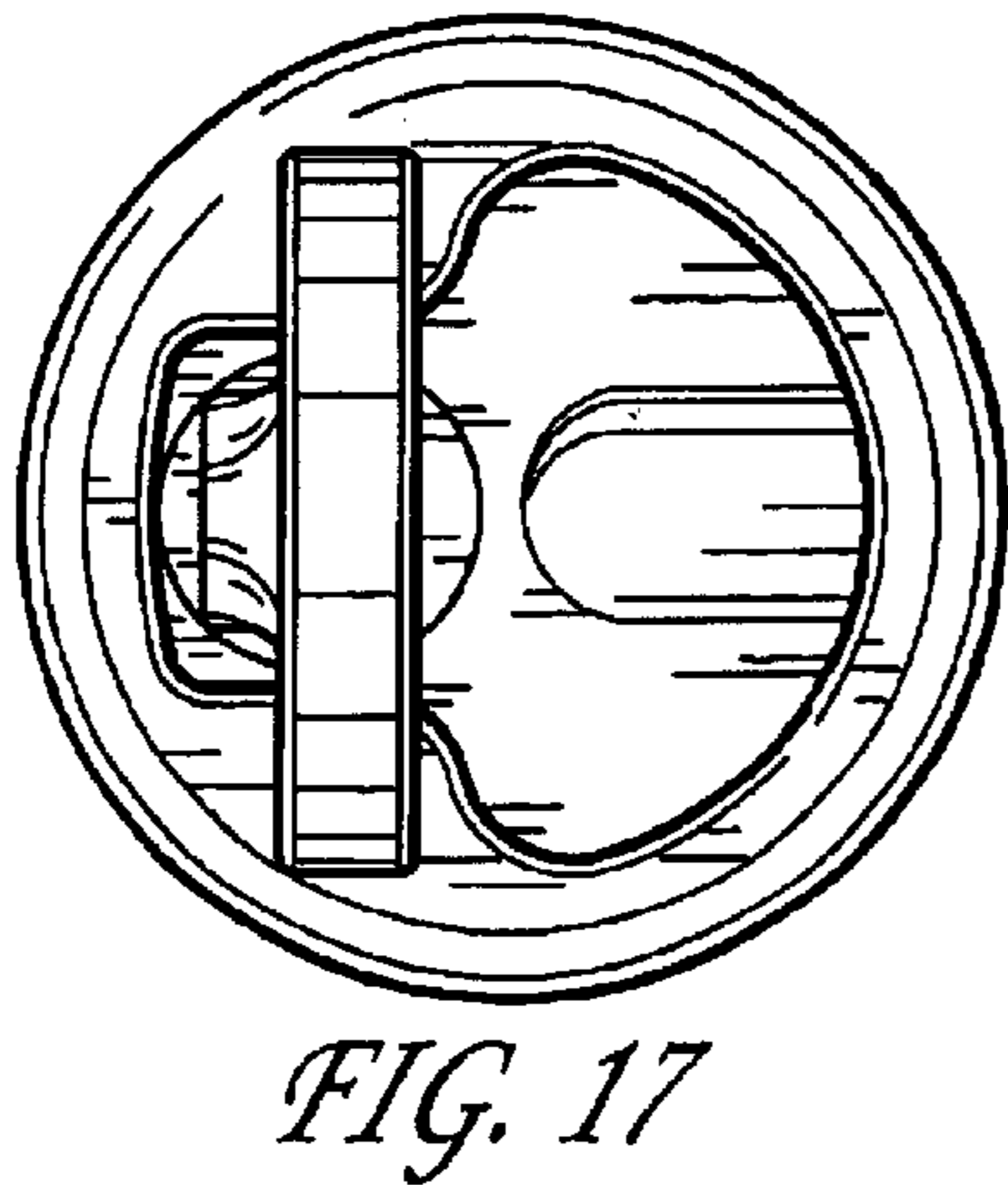
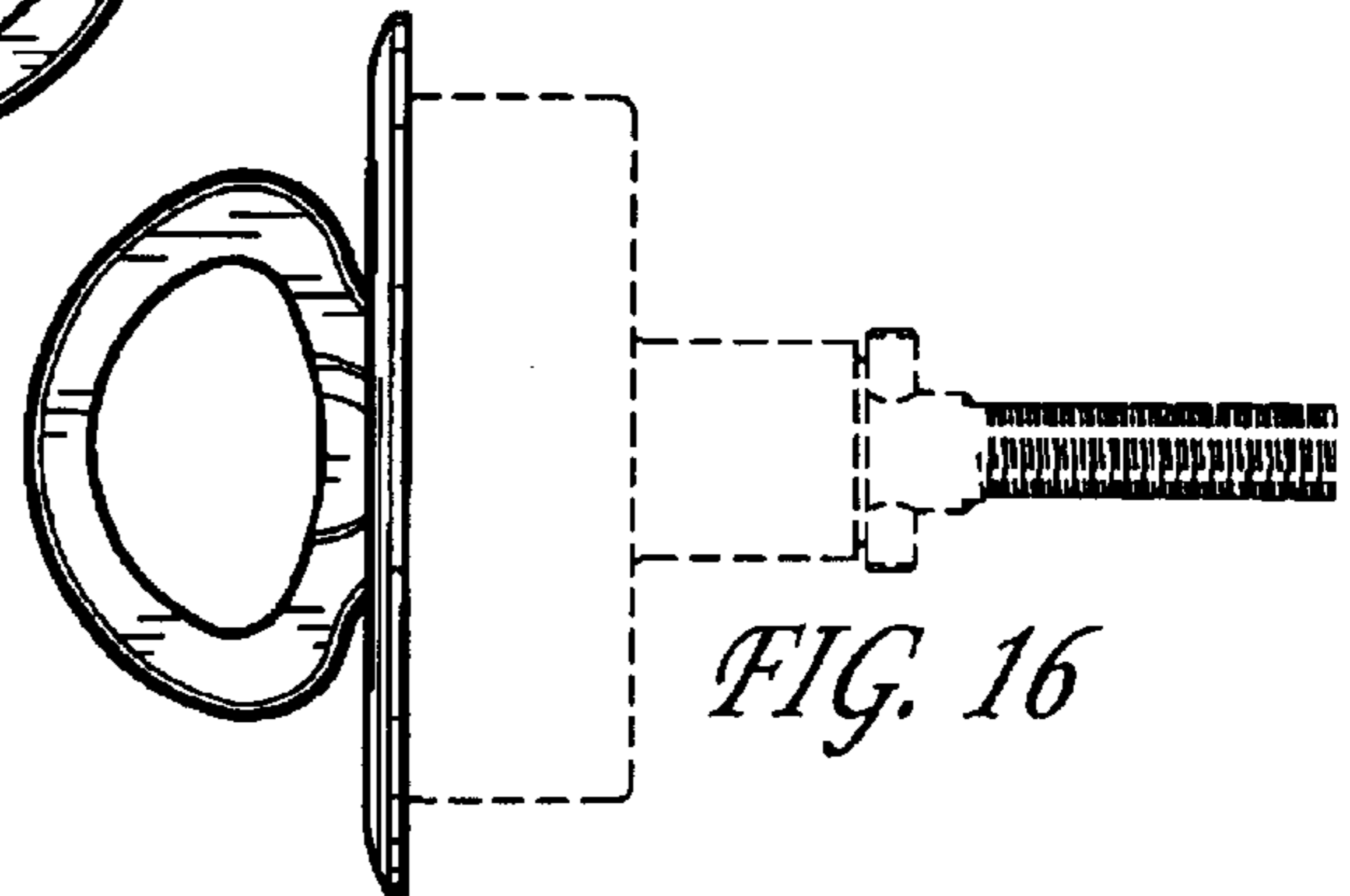
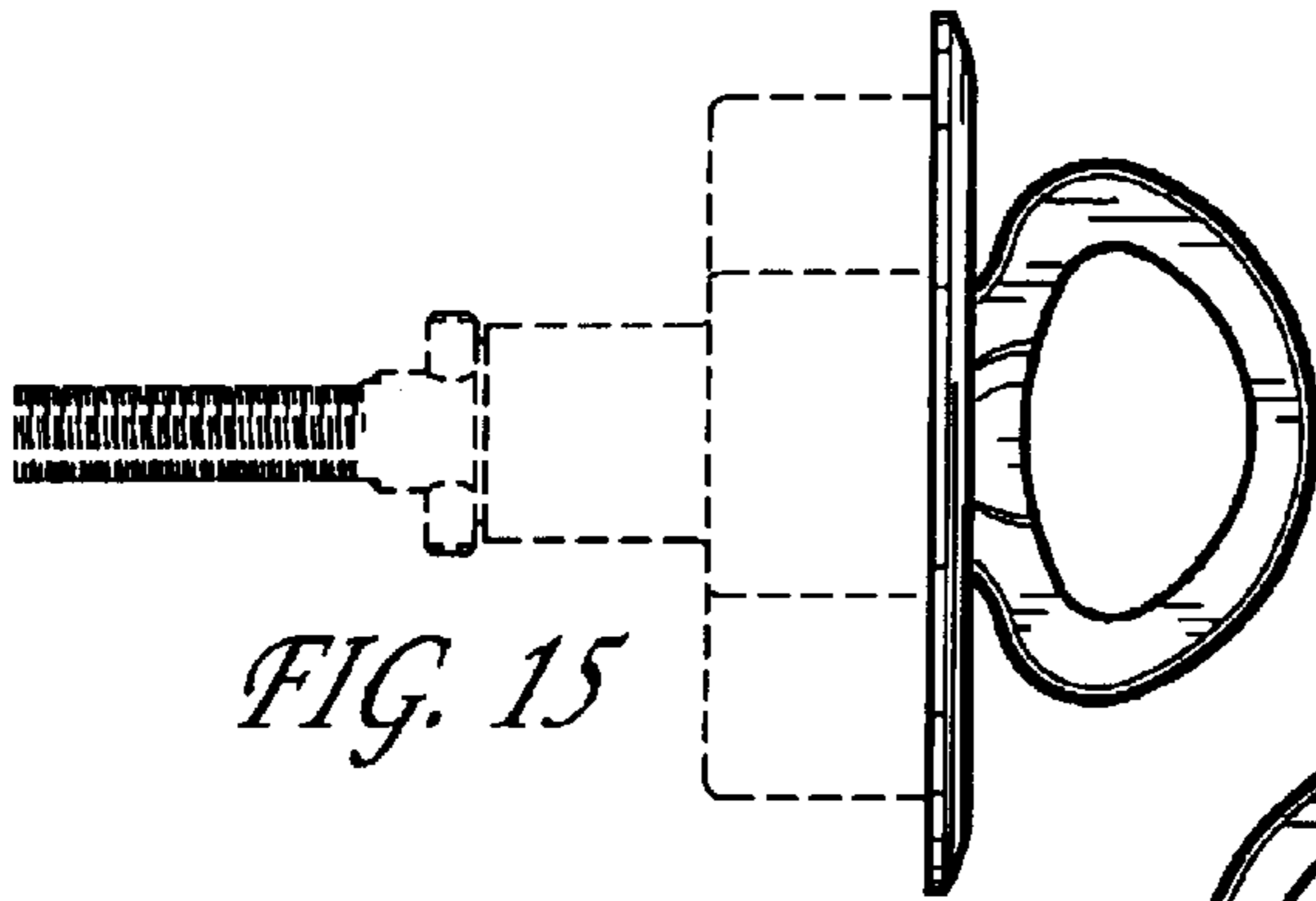
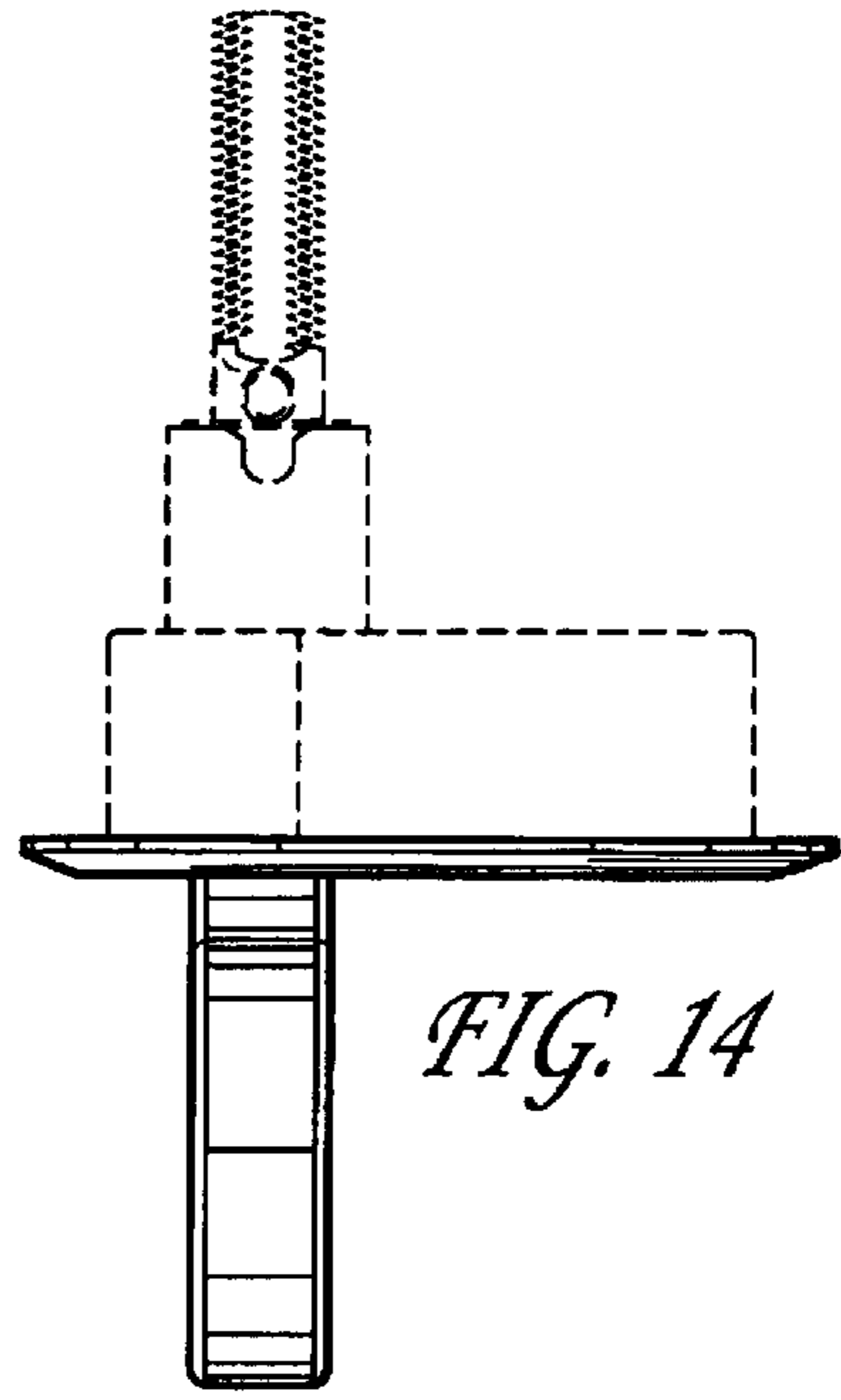
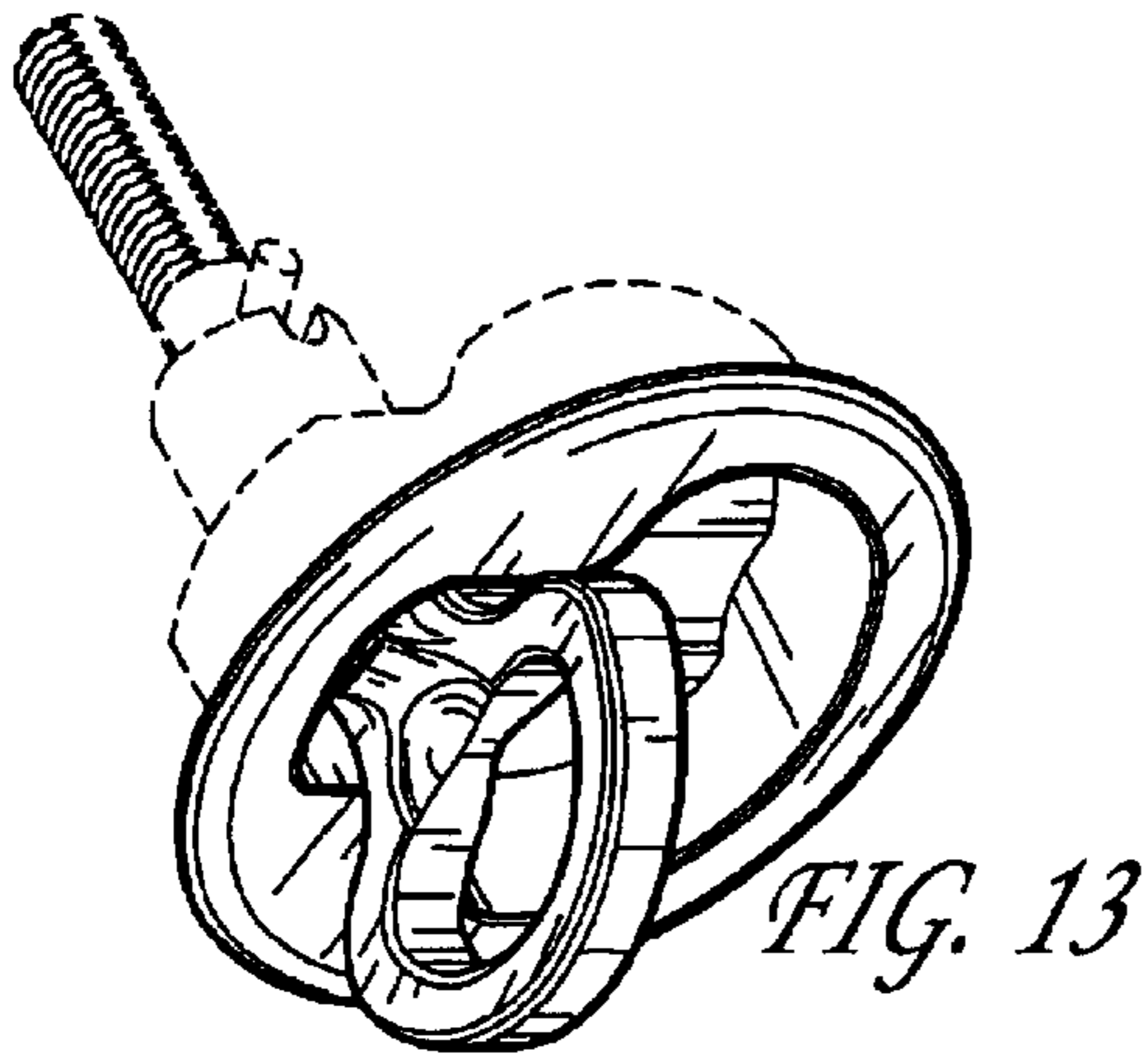


FIG. 6





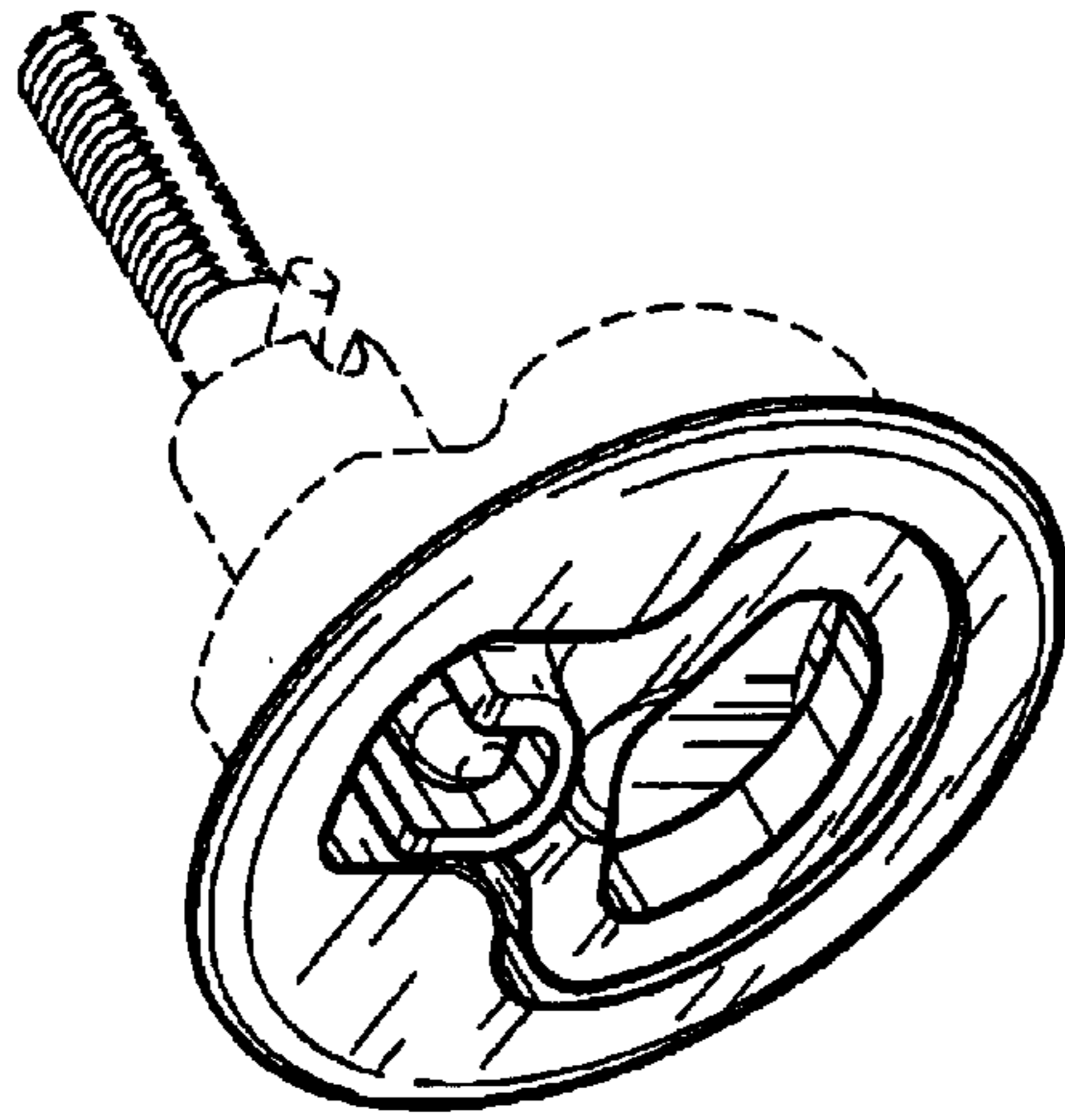


FIG. 19

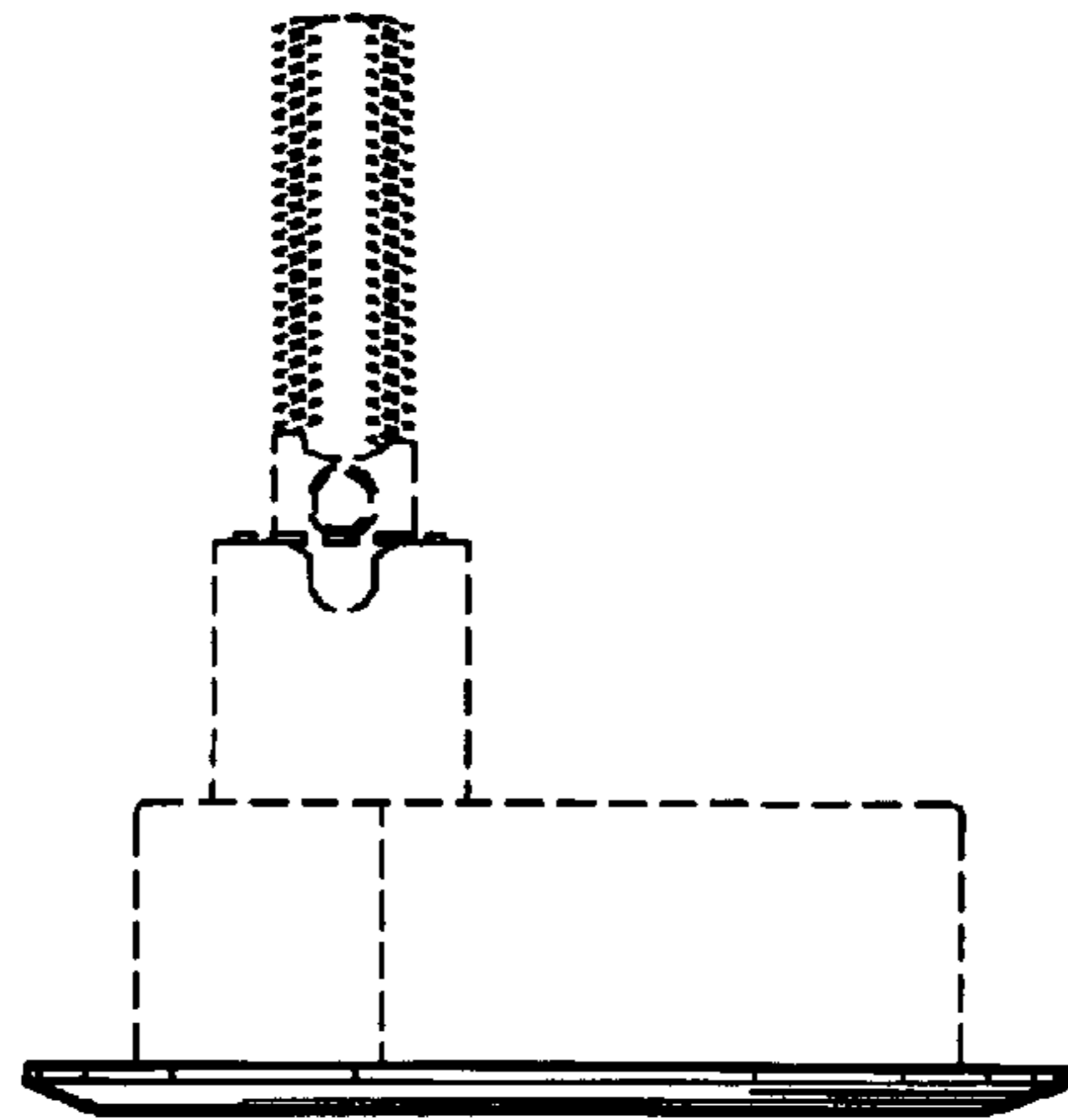


FIG. 20

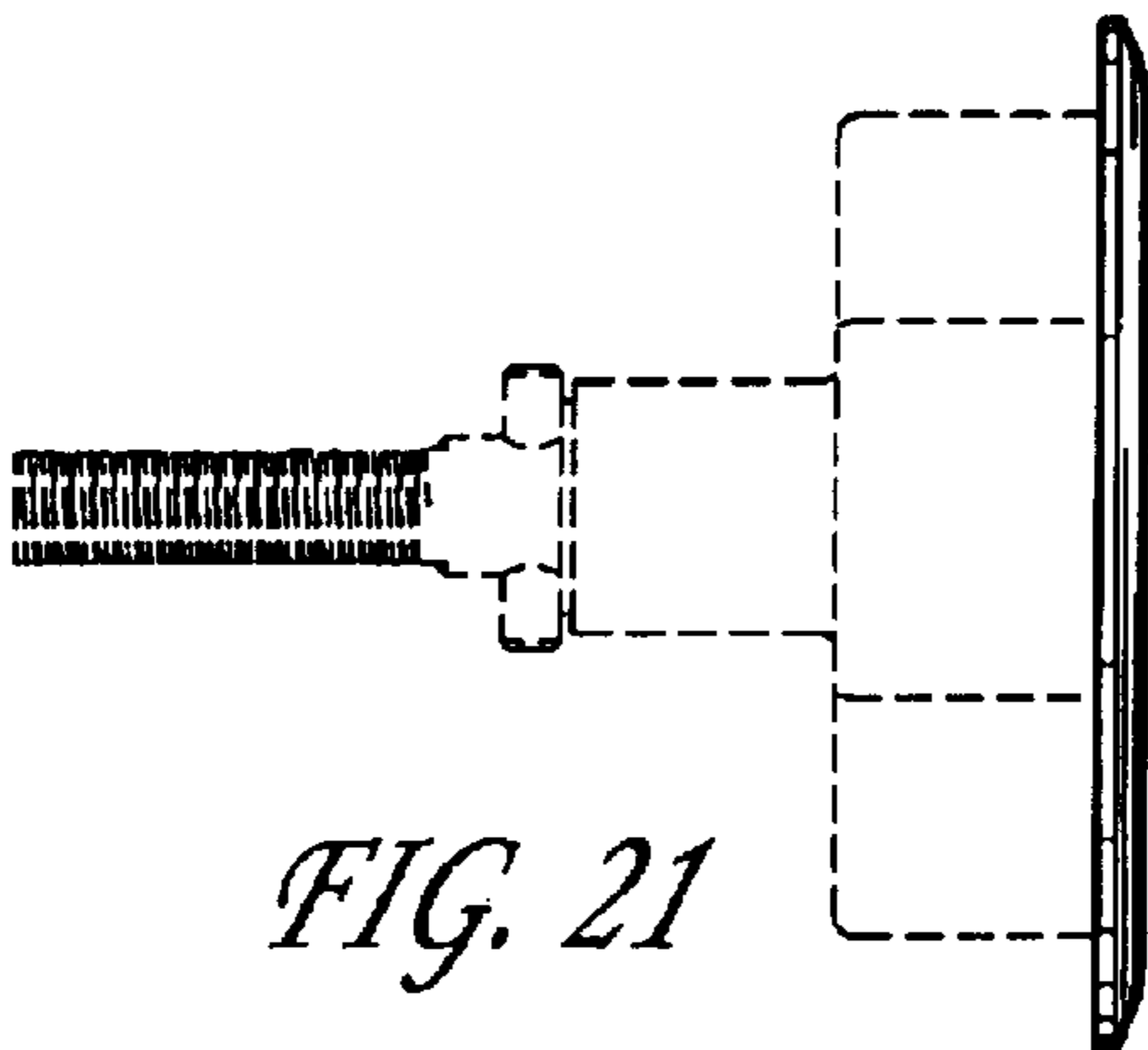


FIG. 21

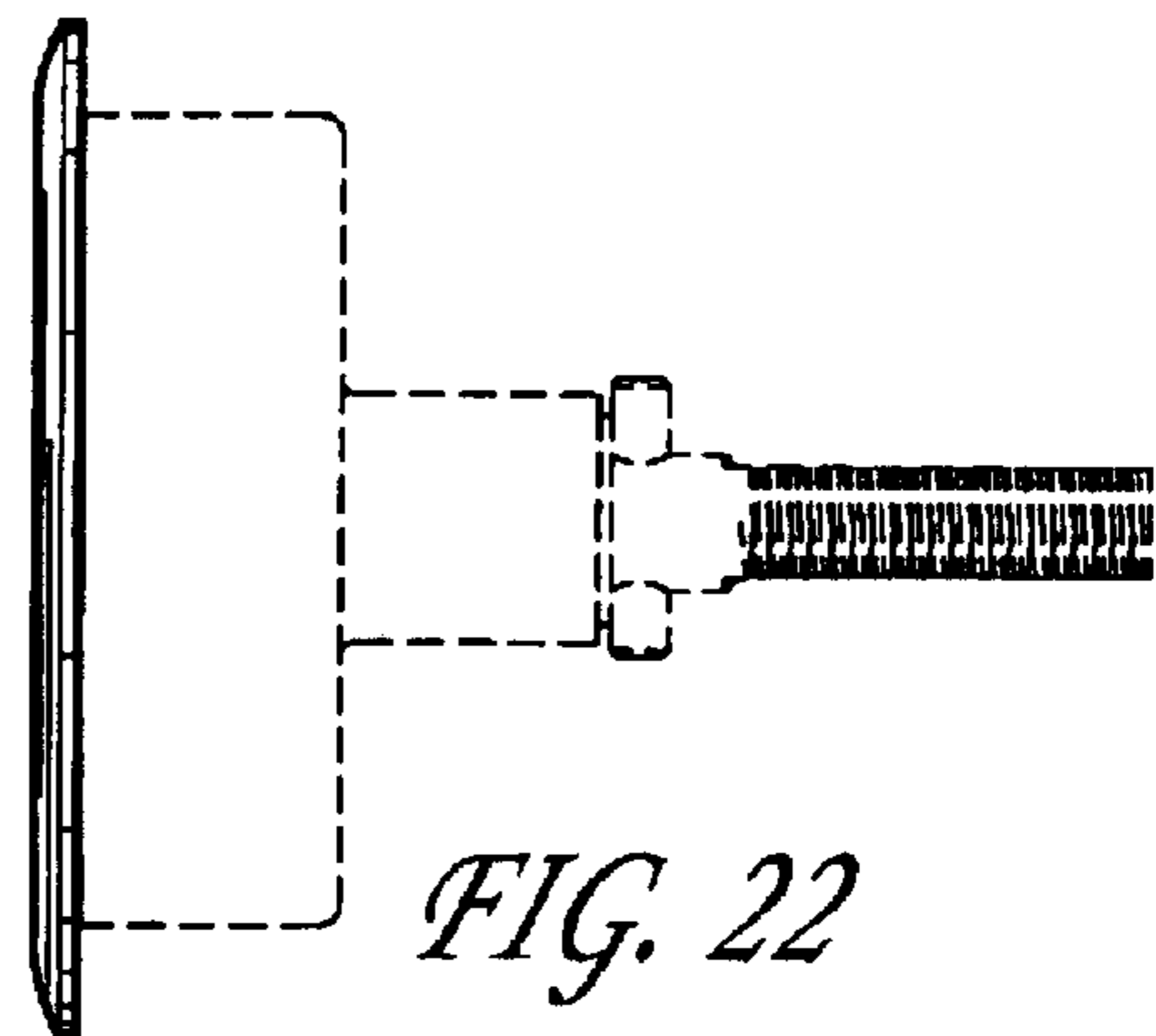


FIG. 22

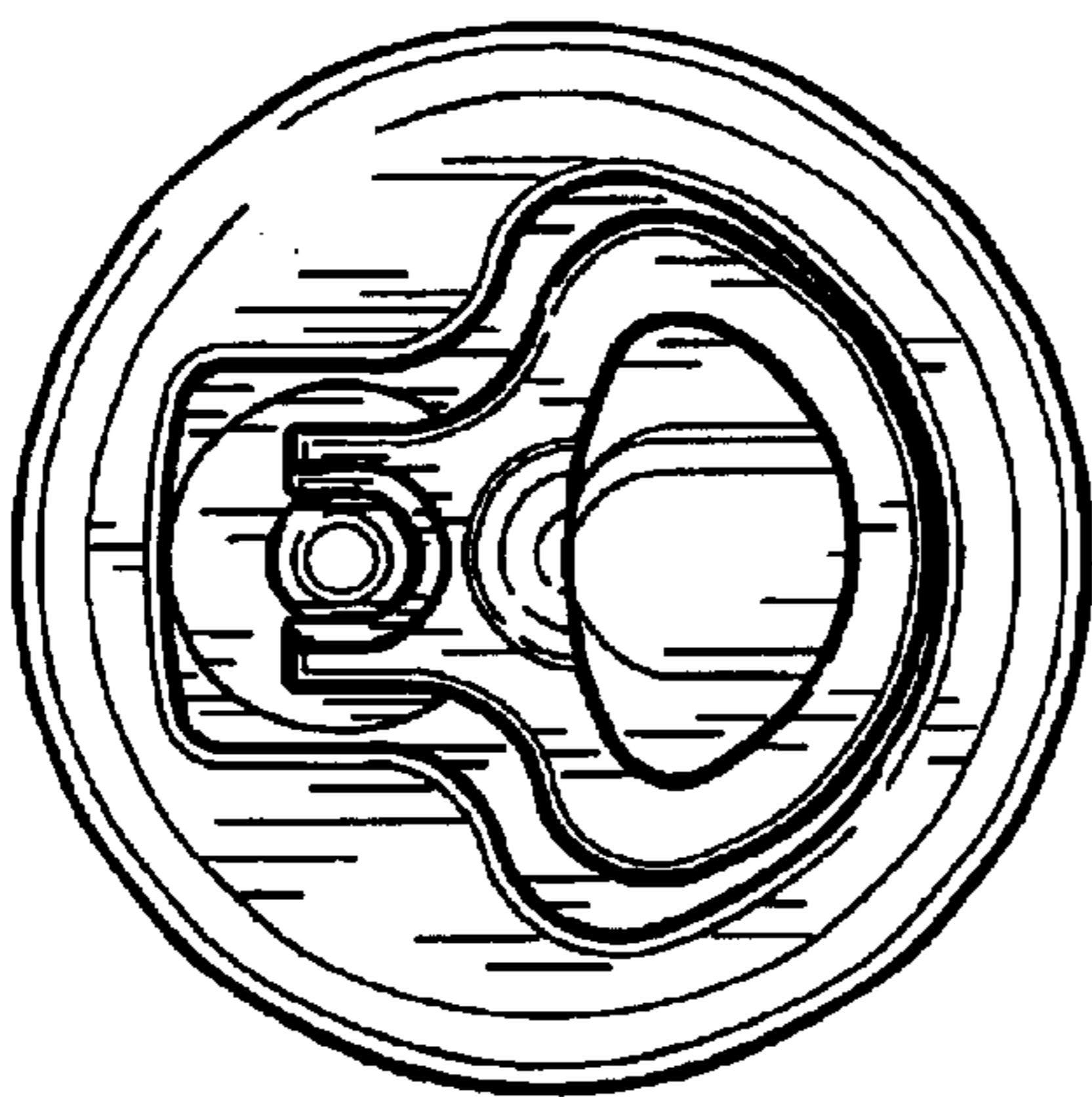


FIG. 23

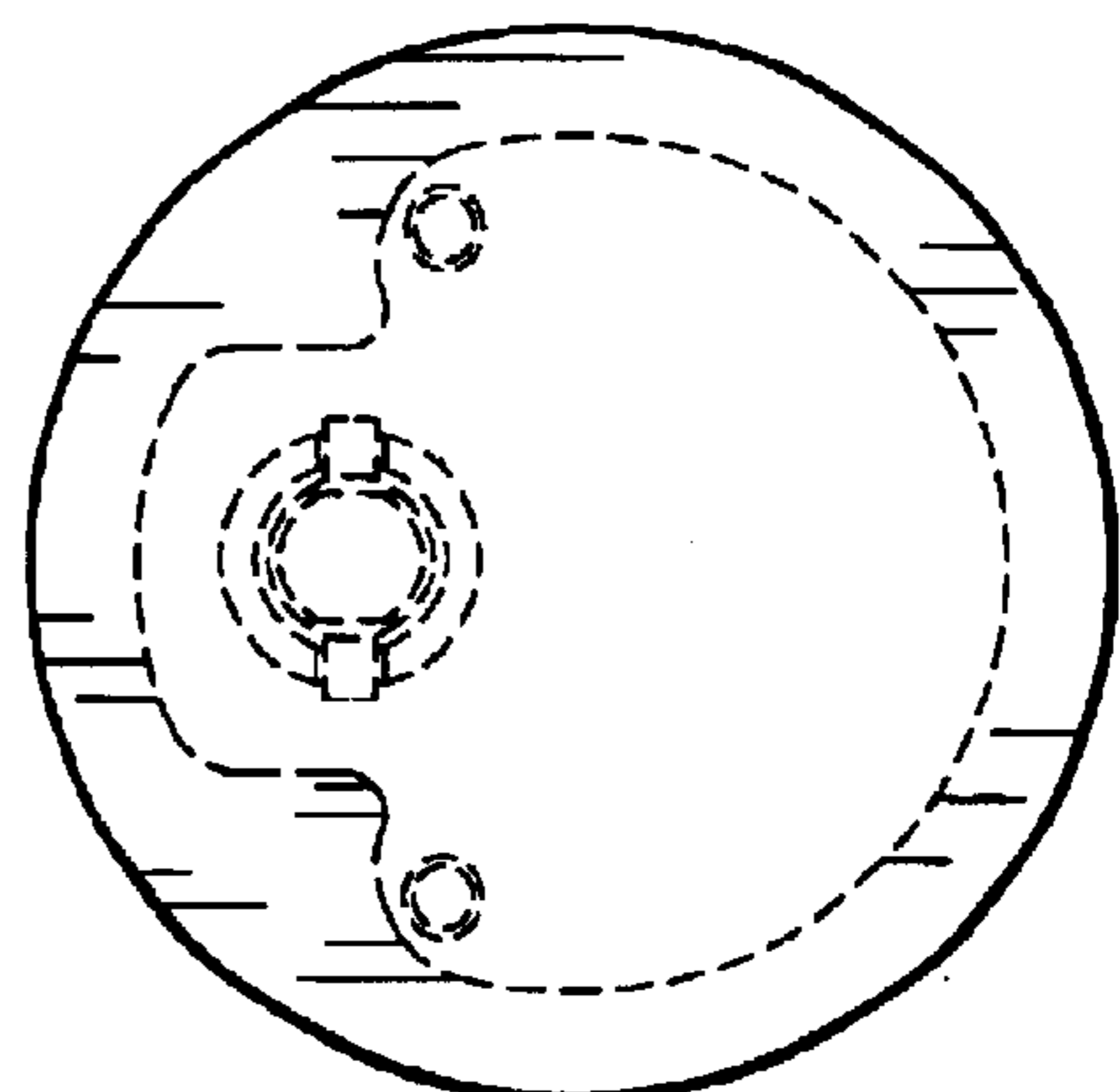


FIG. 24