



US00D489954S

(12) **United States Design Patent**  
**Willer et al.**

(10) **Patent No.:** **US D489,954 S**  
(45) **Date of Patent:** **\*\* May 18, 2004**

- (54) **LATCH OF A CIRCULAR SAW**
- (75) Inventors: **Mark Willer**, Brookfield, WI (US);  
**Christopher Berg**, Milwaukee, WI (US); **Dale Di Iulio**, Grafton, WI (US)
- (73) Assignee: **Milwaukee Electric Tool Corporation**, Brookfield, WI (US)
- (\*\*) Term: **14 Years**
- (21) Appl. No.: **29/178,766**
- (22) Filed: **Mar. 31, 2003**

EP 0 055 896 7/1982  
EP 0 810 072 A2 12/1997

(List continued on next page.)

**OTHER PUBLICATIONS**

Skil, Jan.–Jun. 1974 Consumer Catalog CP–514, Published Jan. 1, 1974, 3 pages.  
 Skil, 1973 Catalog for Industry and Construction 1–113, Published Jan. 1, 1973, 2 pages.  
 Makita Metal Cutting Saw Website, visited Jan. 4, 2002, 1 page.  
 Portion of Bosch Owners Manual, Published on/or about Jul. 14, 2000, pp. 7–10, 2 pages.  
 Makita 5044KB—4" Circular Saw Website, visited Apr. 11, 2002, 2 pages.  
 Panasonic Cordless Professional Power Tools, 15.6V Metal Cutter/EY3530FQMKW Website, visited Jun. 23, 2000, 2 pages, EY3502FQMKW, visited Jun. 23, 2000, 2 pages.  
 Makita On–Line Product Catalog, 18 Volt Cordless 5046 DWB, visited Jun. 23, 2000 and Aug. 1, 2000, 2 pages.  
 Makita General Catalog 1996–1997, printed Jan. 1, 1996, 4 pages.

**Related U.S. Application Data**

- (63) Continuation-in-part of application No. 29/168,395, filed on Oct. 1, 2002.
- (51) **LOC (7) Cl.** ..... **08-03**
- (52) **U.S. Cl.** ..... **D8/66; D8/331**
- (58) **Field of Search** ..... D8/64, 66, 67, D8/69, 70, 8, 330, 331, 339, 343; 30/371, 375, 376, 377, 388, 389, 390, 391, 394, 504, 514; 125/13.01, 14; 83/478, 546; 144/218; D15/133, 142, 134

*Primary Examiner*—James Gandy  
*Assistant Examiner*—Elizabeth Albert  
 (74) *Attorney, Agent, or Firm*—Michael Best & Friedrich LLP

(56) **References Cited**

**U.S. PATENT DOCUMENTS**

- D75,652 S \* 6/1928 Russ ..... D8/343
- D77,462 S \* 1/1929 Bartlett ..... D8/331
- 1,830,579 A 11/1931 Wappart
- 2,795,248 A 6/1957 Doerner
- 3,221,783 A \* 12/1965 Kaltenmark et al. .... 30/389
- 3,662,796 A 5/1972 Batistelli
- 3,938,251 A 2/1976 Kareman
- 4,022,182 A \* 5/1977 Lenkevich ..... 125/13.01
- 4,192,104 A 3/1980 Patenaude
- 4,241,505 A 12/1980 Bodycomb, Jr. et al.
- 4,253,362 A 3/1981 Olson
- 4,255,995 A 3/1981 Connor

(List continued on next page.)

**FOREIGN PATENT DOCUMENTS**

- DE 1 040 771 10/1958
- DE 27 54 186 A1 6/1979

(57) **CLAIM**

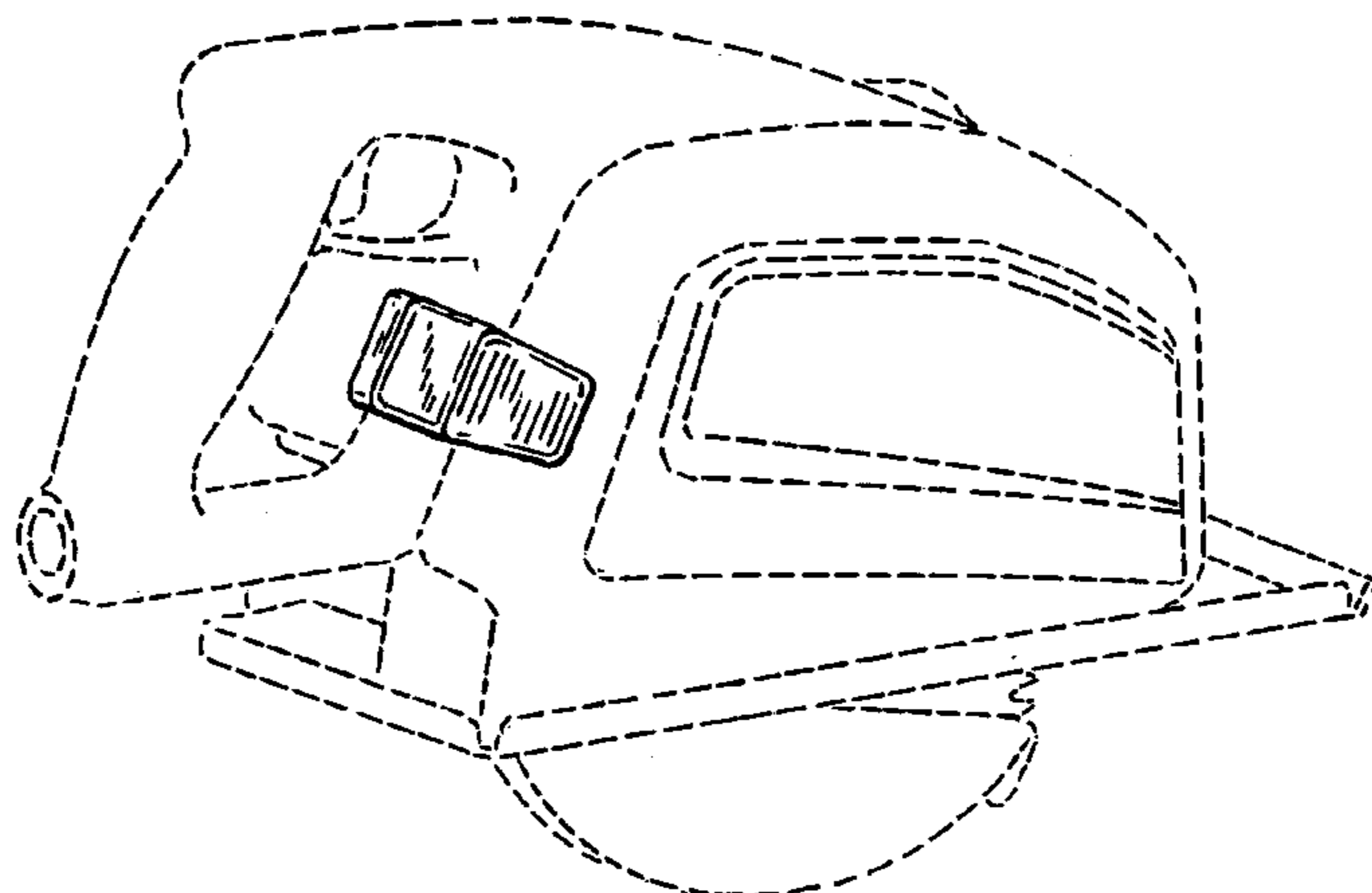
We claim the ornamental design for a latch of a circular saw, as shown and described.

**DESCRIPTION**

FIG. 1 is a perspective view of a latch of a circular saw embodying aspects of the present invention;  
 FIG. 2 is a right side view of the latch of the circular saw of FIG. 1;  
 FIG. 3 is a rear view of the latch of the circular saw of FIG. 1;  
 FIG. 4 is a left side view of the latch of the circular saw of FIG. 1; and,  
 FIG. 5 is a top view of the latch of the circular saw of FIG. 1.

The broken line showing of the environment is for illustrative purposes only and forms no part of the claimed design.

**1 Claim, 3 Drawing Sheets**



# US D489,954 S

Page 2

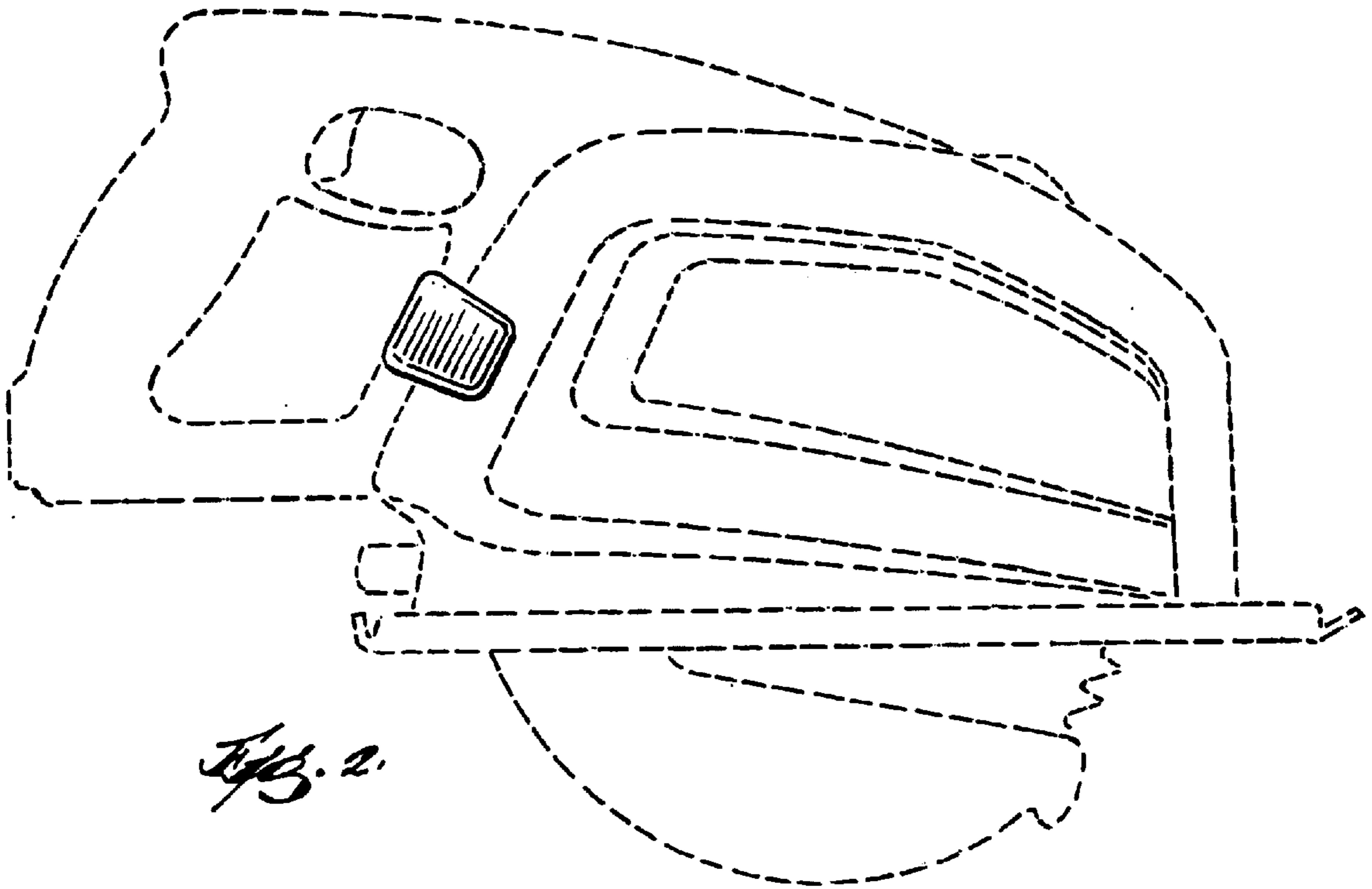
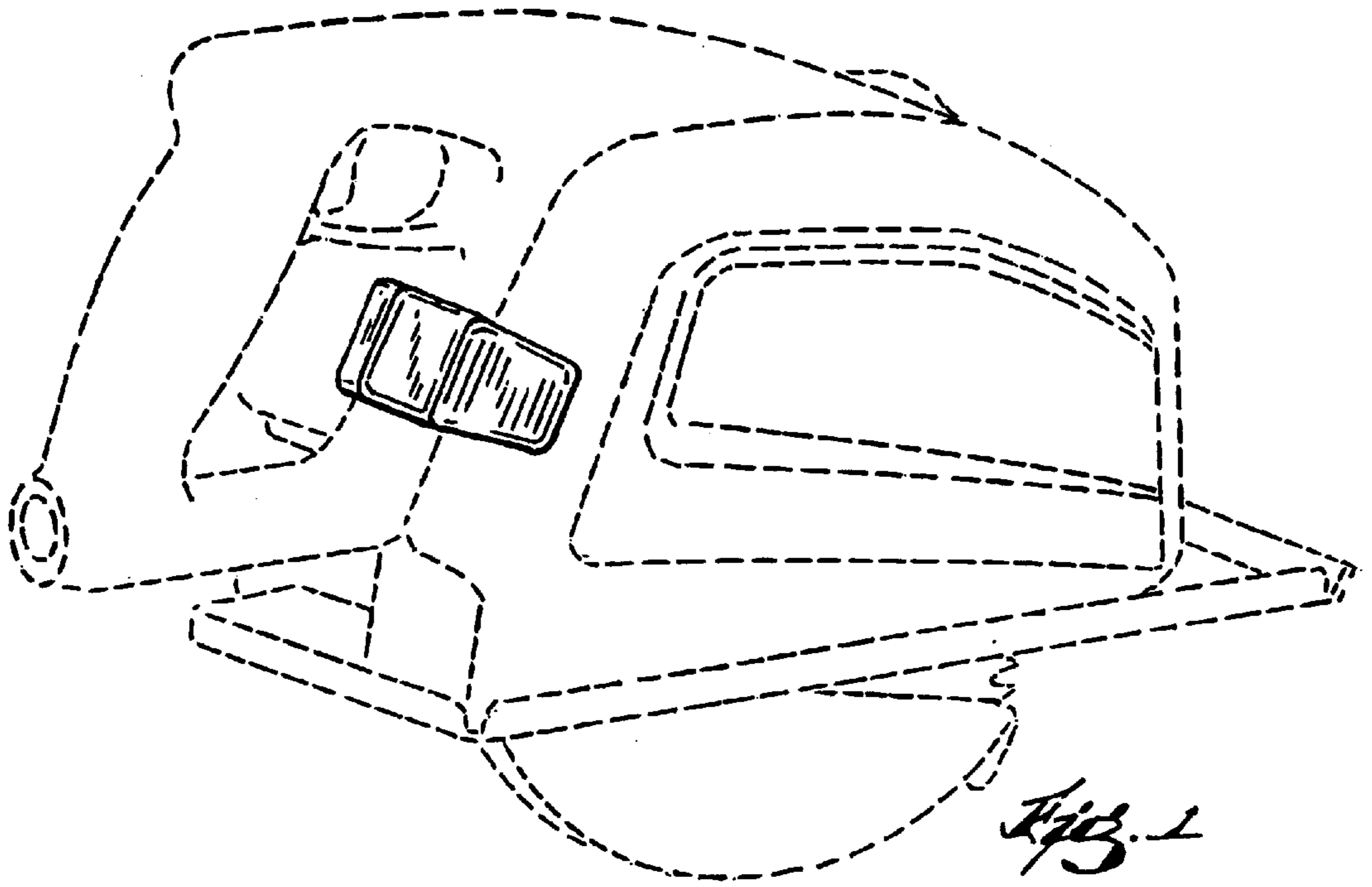
## U.S. PATENT DOCUMENTS

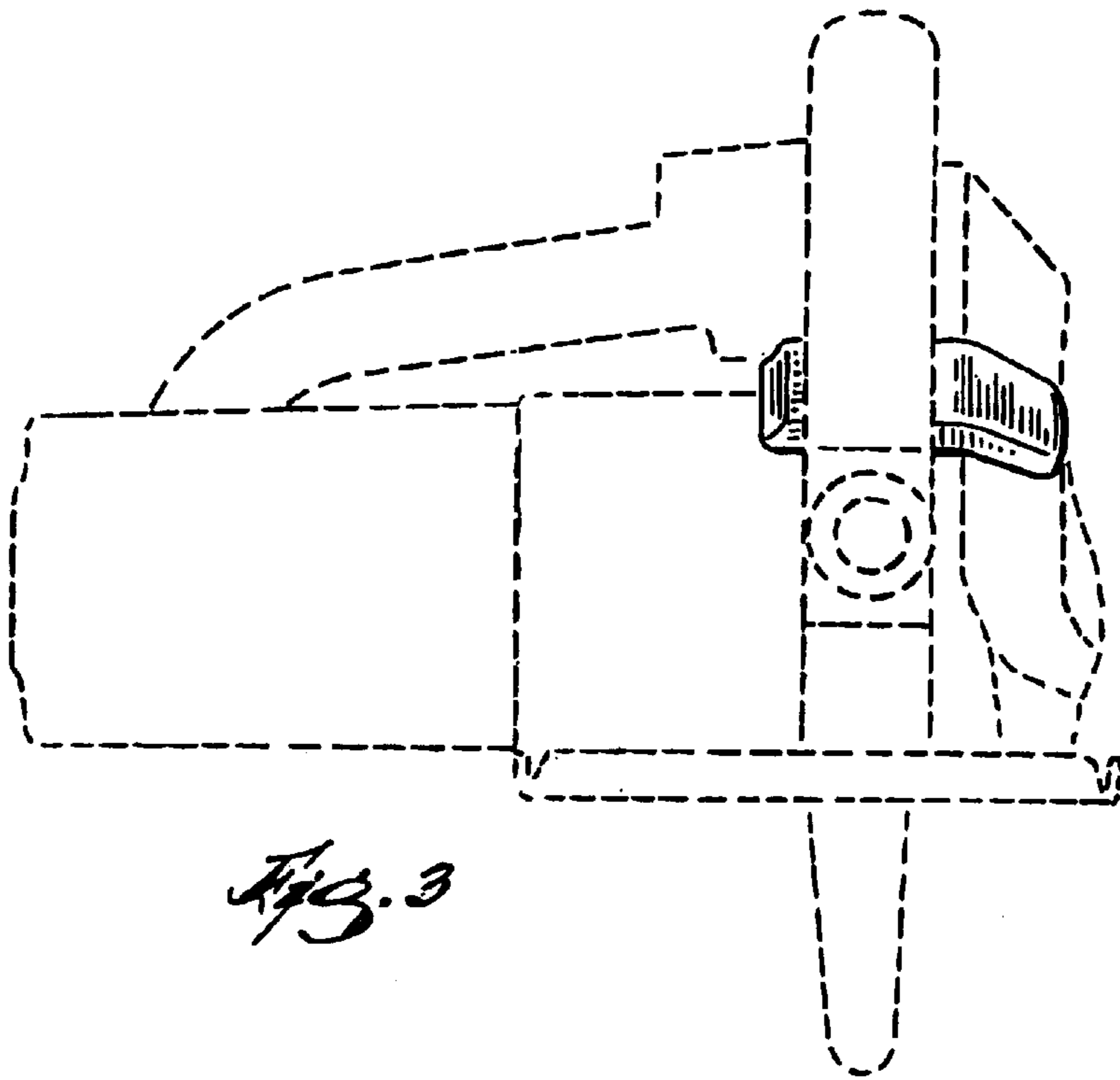
4,414,743 A	11/1983	Pioch et al.		5,819,619 A	10/1998	Miller et al.	
4,450,627 A	5/1984	Morimoto		5,822,864 A	10/1998	Campbell et al.	
4,466,187 A	8/1984	Morimoto		D400,772 S	11/1998	Gallagher et al.	
4,555,849 A	12/1985	Ando et al.		5,850,697 A	12/1998	Welch	
4,589,208 A	5/1986	Iwasaka et al.		5,850,698 A	12/1998	Hurn et al.	
4,592,144 A	* 6/1986	Tolbert et al. ....	30/394	5,855,157 A	1/1999	Okamura et al.	
4,675,999 A	* 6/1987	Ito et al. ....	30/390	5,856,715 A	* 1/1999	Peot et al. ....	30/389
4,721,023 A	1/1988	Bartlett et al.		5,870,827 A	2/1999	Holst	
4,787,145 A	* 11/1988	Klicker et al. ....	30/388	D408,248 S	4/1999	Zurwelle et al.	
4,847,513 A	7/1989	Katz et al.		D411,425 S	6/1999	Sugimoto et al.	
4,856,394 A	8/1989	Clowers		5,911,482 A	6/1999	Campbell et al.	
D304,292 S	* 10/1989	Bobrowski .....	D8/341	5,924,208 A	7/1999	Saeki	
4,870,758 A	* 10/1989	Fushiya .....	30/388	5,927,171 A	7/1999	Sasaki et al.	
4,873,766 A	10/1989	Johnston		5,931,072 A	8/1999	Shibata	
4,896,572 A	1/1990	Smyth et al.		D415,000 S	10/1999	Sakai et al.	
4,939,843 A	* 7/1990	Rogers .....	30/388	5,969,312 A	* 10/1999	Svetlik et al. ....	200/61.85
5,005,295 A	* 4/1991	Fushiya .....	30/390	D416,181 S	11/1999	Chung	
5,007,173 A	4/1991	Rush		D418,032 S	12/1999	Watson et al.	
5,012,582 A	5/1991	Bristol et al.		6,009,782 A	1/2000	Tajima et al.	
5,023,999 A	6/1991	Looper et al.		6,014,811 A	1/2000	Taomo et al.	
5,033,192 A	7/1991	Franze et al.		6,014,813 A	1/2000	Merino	
5,074,044 A	* 12/1991	Duncan et al. ....	125/13.01	6,047,693 A	4/2000	Yamami et al.	
D324,165 S	* 2/1992	Bressler et al. ....	D8/331	D424,406 S	* 5/2000	Frey .....	D8/331
5,084,972 A	2/1992	Waugh		6,055,734 A	5/2000	McCurry et al.	
D326,399 S	5/1992	Fushiya et al.		6,057,608 A	5/2000	Bailey, Jr. et al.	
5,121,543 A	6/1992	Onose et al.		6,075,341 A	6/2000	White et al.	
D329,363 S	9/1992	Sasaki et al.		D427,501 S	* 7/2000	Berg et al. ....	D8/105
5,142,825 A	9/1992	Floyd		D427,872 S	* 7/2000	Snider .....	D8/66
5,146,682 A	9/1992	Blochle et al.		D427,873 S	* 7/2000	Inoue .....	D8/66
5,165,173 A	* 11/1992	Miller .....	30/394	D427,874 S	7/2000	Hayakawa et al.	
D332,735 S	1/1993	Fushiya et al.		6,094,827 A	8/2000	Campbell	
D348,193 S	6/1994	Sasaki et al.		6,167,626 B1	1/2001	Doumani et al.	
5,327,649 A	7/1994	Skinner		6,237,230 B1	* 5/2001	Campbell et al. ....	30/390
5,349,752 A	9/1994	Stirm		D445,013 S	7/2001	Etter et al.	
5,361,501 A	* 11/1994	Fajnsztajn .....	30/390	6,269,543 B1	8/2001	Ohkouchi	
5,370,025 A	12/1994	Itzov		6,308,424 B1	10/2001	Stelper	
5,440,809 A	8/1995	Padilla		6,512,188 B2	* 1/2003	Campbell et al. ....	200/321
5,445,056 A	8/1995	Folci		D472,126 S	* 3/2003	Miklosz et al. ....	D8/70
D363,656 S	10/1995	Gierke		D475,265 S	* 6/2003	Hatch et al. ....	D8/66
5,479,709 A	1/1996	Lai		D475,595 S	* 6/2003	Hatch et al. ....	D8/66
5,517,763 A	5/1996	Schilling et al.					
5,537,748 A	7/1996	Takahashi et al.					
D375,439 S	11/1996	Niwa et al.					
5,570,511 A	* 11/1996	Reich et al. ....	30/390				
5,570,512 A	* 11/1996	Hoppner .....	30/383				
5,588,213 A	12/1996	Swanberg					
5,594,972 A	1/1997	Iversen					
D378,488 S	3/1997	Ito et al.					
D382,462 S	* 8/1997	Arthurs et al. ....	D8/343				
5,675,895 A	10/1997	Mori et al.					
5,699,705 A	12/1997	Sibbet					
5,709,595 A	* 1/1998	Bergner et al. ....	451/356				
D390,081 S	* 2/1998	Price et al. ....	D8/66				
5,737,843 A	4/1998	Fringer et al.					
5,774,992 A	7/1998	Lindenmuth					
5,782,153 A	7/1998	Sasaki et al.					
5,794,351 A	8/1998	Campbell et al.					

## FOREIGN PATENT DOCUMENTS

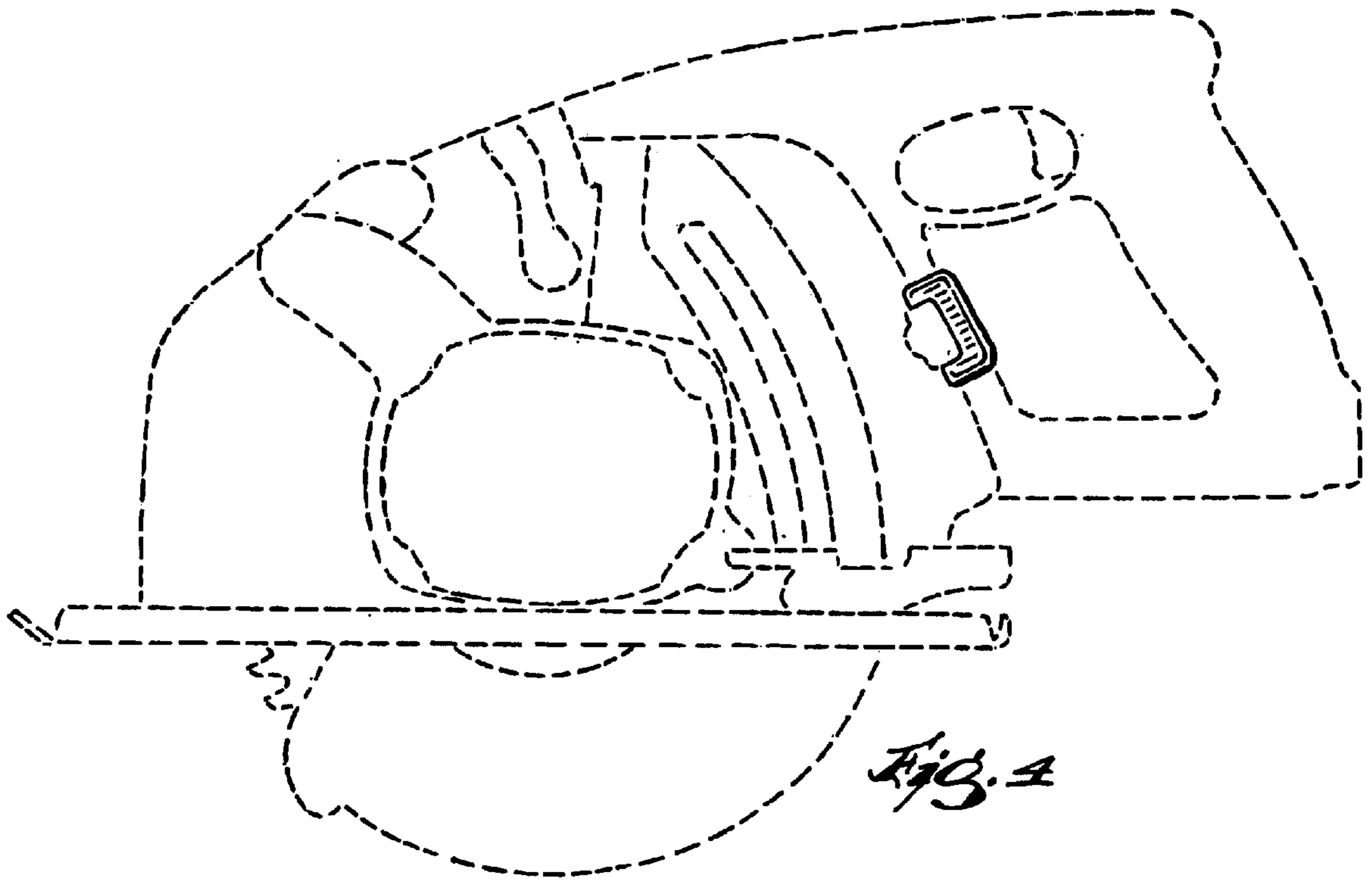
GB	2 302 058	1/1997
GB	2 339 404	1/2000
JP	63-7218	1/1988
JP	05004201 A2	1/1993
JP	05031701 A2	2/1993
JP	05318403 A2	12/1993
JP	06278101 A2	10/1994
JP	06278102 A2	10/1994
JP	06278103 A2	10/1994
JP	09164508 A2	6/1997
JP	11058303 A2	3/1999
JP	2000015602 A2	1/2000
JP	2000176908 A2	6/2000
WO	WO 00/43179	7/2000

\* cited by examiner

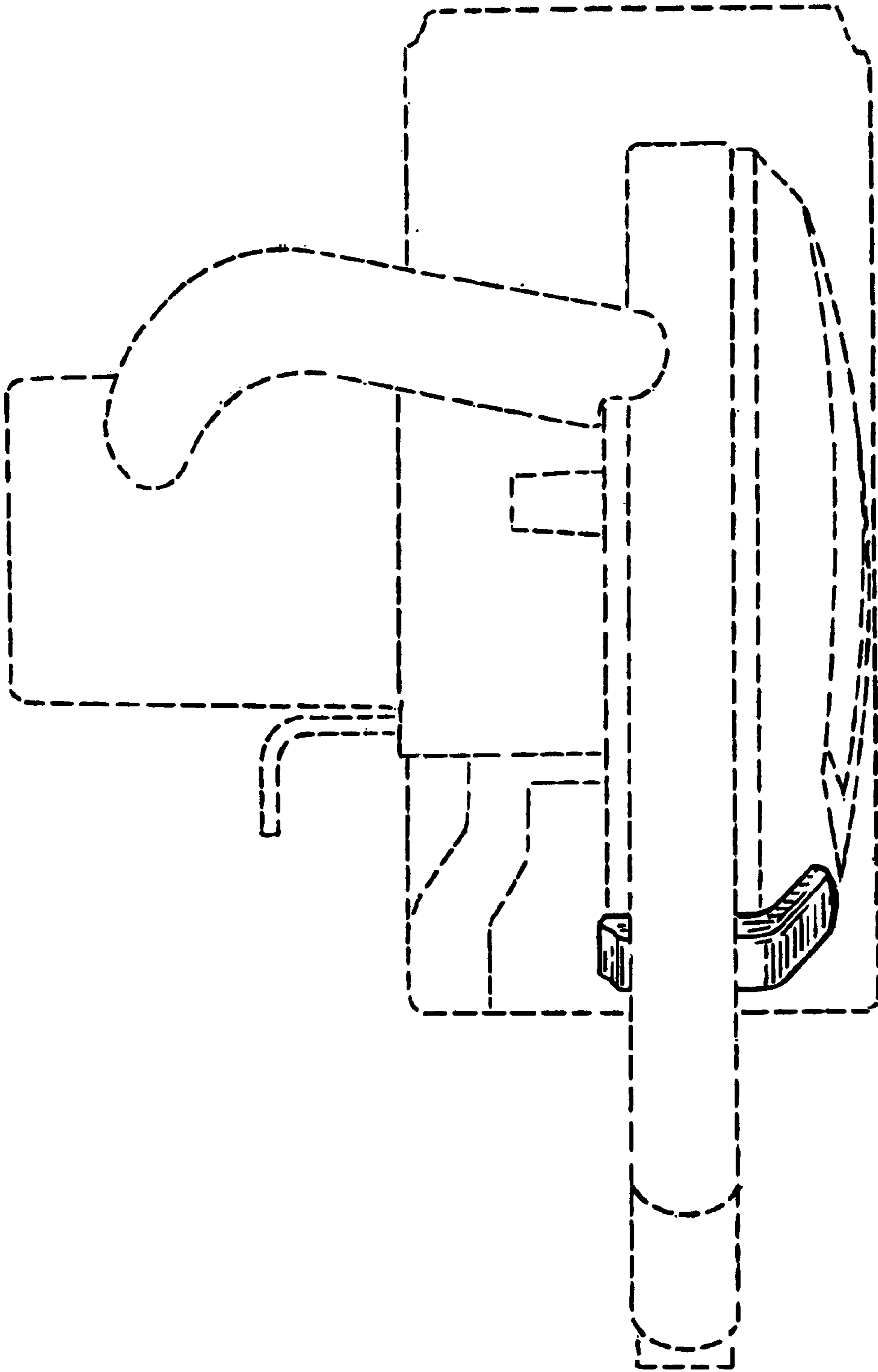




*Fig. 3*



*Fig. 4*



*Fig. 5*