



US00D489952S

(12) **United States Design Patent**
Smeja et al.

(10) **Patent No.:** **US D489,952 S**

(45) **Date of Patent:** **** May 18, 2004**

(54) **HAND TOOL WITH HANDLE**

EP 782905 A2 * 7/1997 B25G/3/34

(75) Inventors: **George Smeja**, McHenry, IL (US);
Michael V. Smeja, McHenry, IL (US);
Troy Livingston, Northbrook, IL (US)

* cited by examiner

Primary Examiner—Holly Baynham
(74) *Attorney, Agent, or Firm*—Fitch, Even, Tabin & Flannery

(73) Assignee: **Master Products, Inc.**, McHenry, IL (US)

(**) Term: **14 Years**

(57) **CLAIM**

We claim the ornamental design for the hand tool with handle, as shown and described.

(21) Appl. No.: **29/178,587**

(22) Filed: **Mar. 28, 2003**

DESCRIPTION

(51) **LOC (7) Cl.** **08-05**

(52) **U.S. Cl.** **D8/14**

(58) **Field of Search** D8/14; 30/329,
30/229, 237

FIG. 1 is a perspective view of a handle tool with handle;
FIG. 2 is a left side elevational view of the hand tool with handle;
FIG. 3 is a plan view of a hand tool with handle;
FIG. 4 is a bottom view thereof;
FIG. 5 is a front elevational view thereof;
FIG. 6 is a rear elevational view thereof; and,
FIG. 7 is a right side elevational view thereof.

(56) **References Cited**

U.S. PATENT DOCUMENTS

D255,418 S * 6/1980 Sheluga D8/14

FOREIGN PATENT DOCUMENTS

DE 19909309 A1 * 9/1999 A47L/13/12

1 Claim, 4 Drawing Sheets

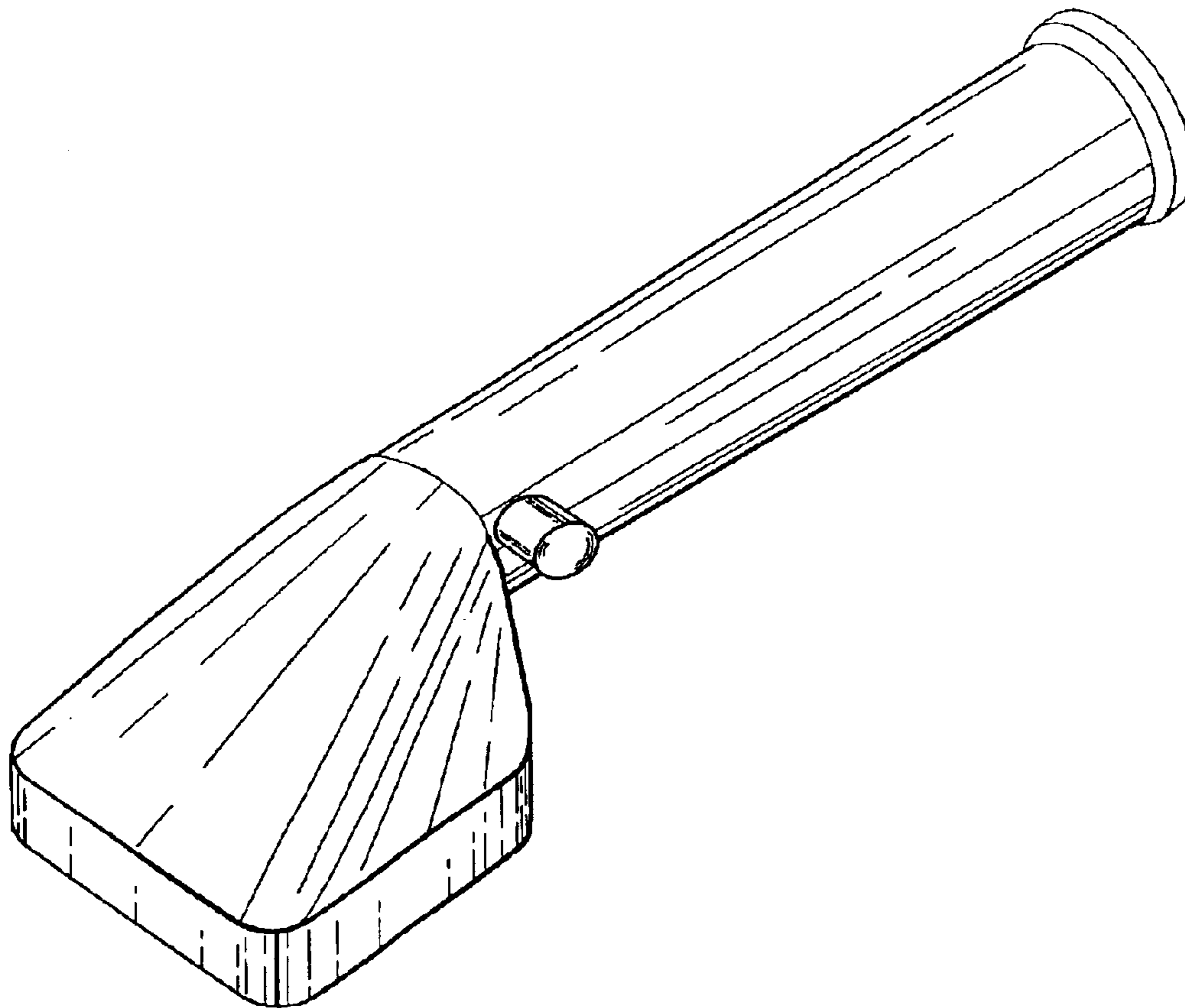


Fig. 1

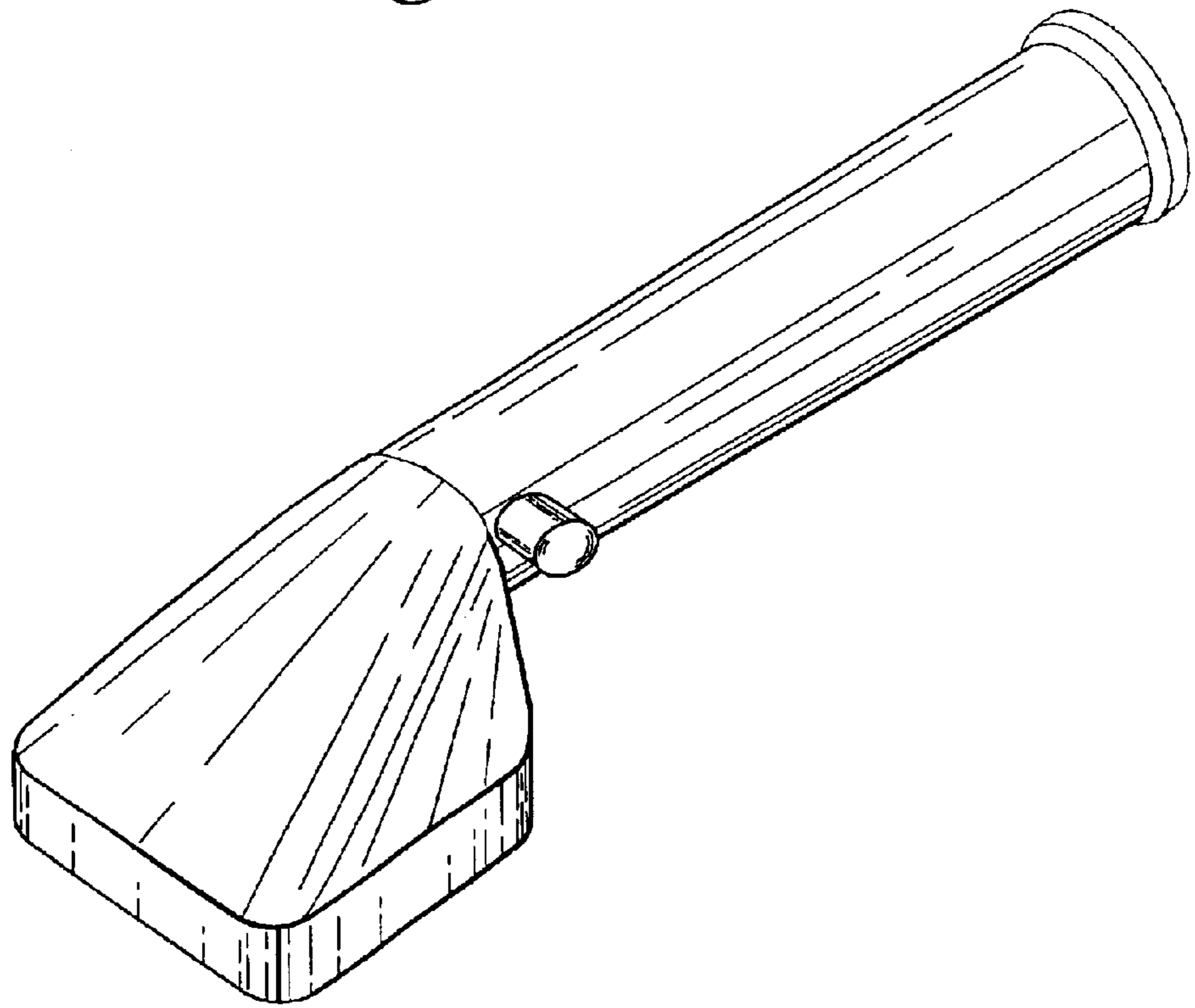


Fig. 2

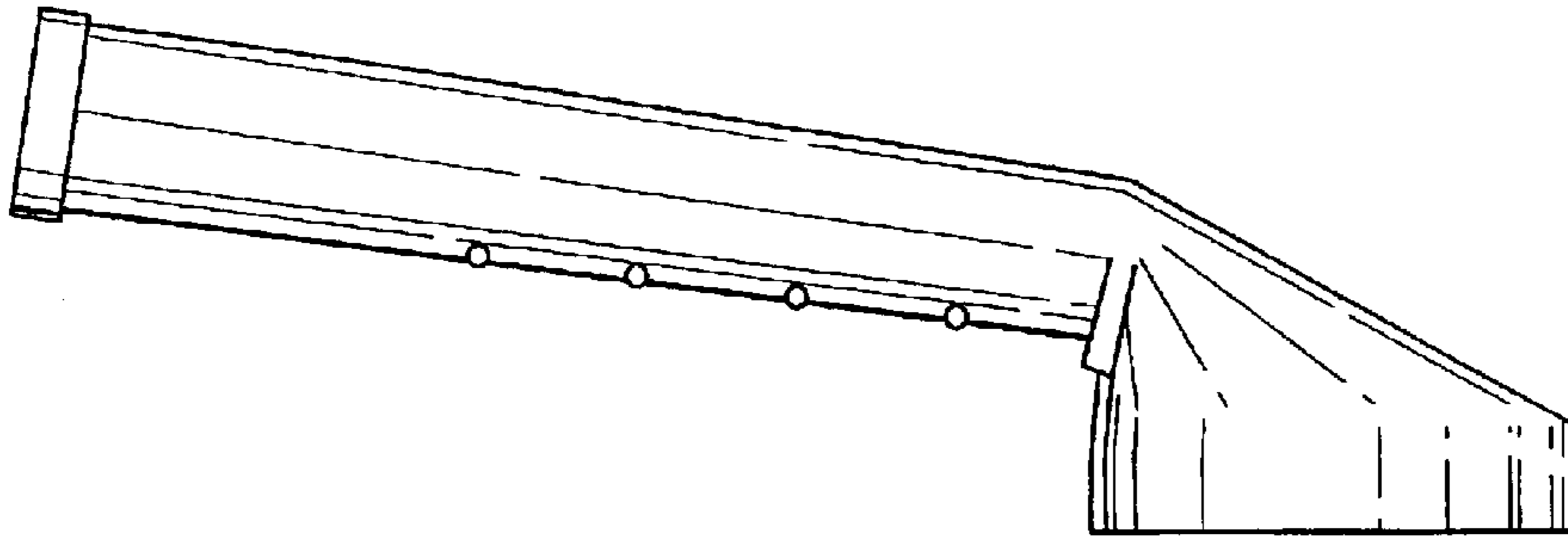


Fig. 3

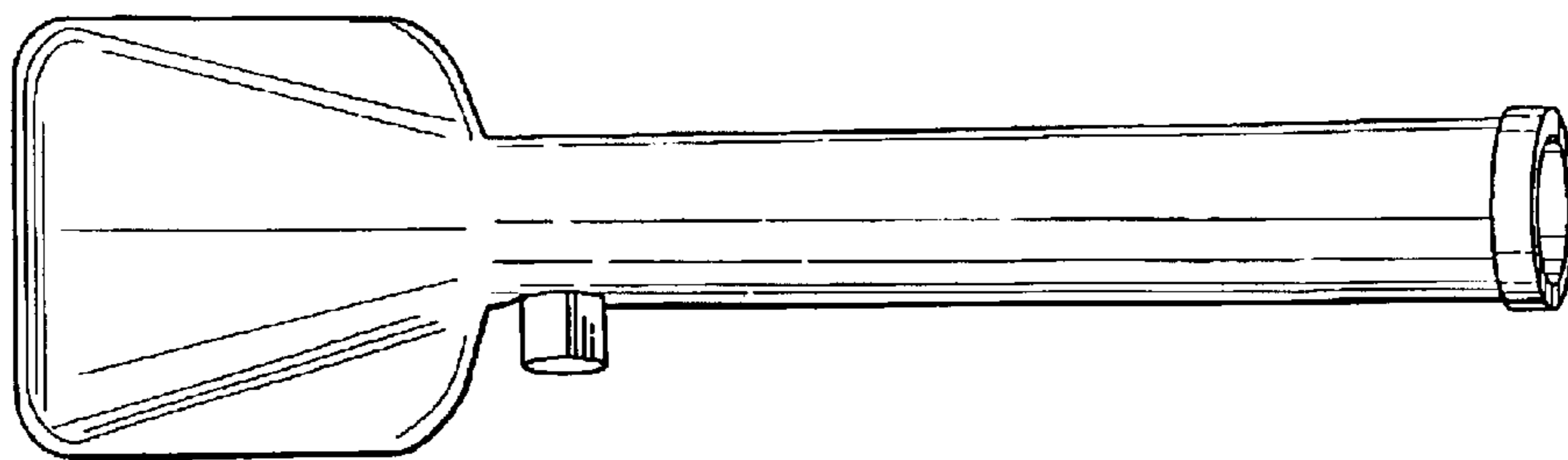


Fig. 4

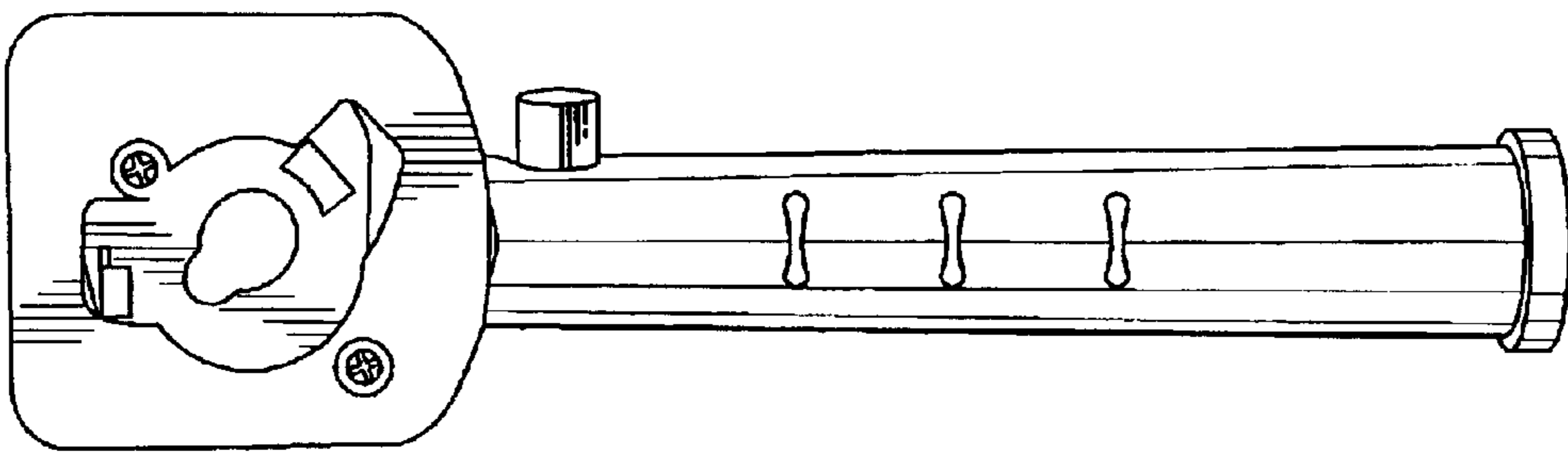


Fig. 5

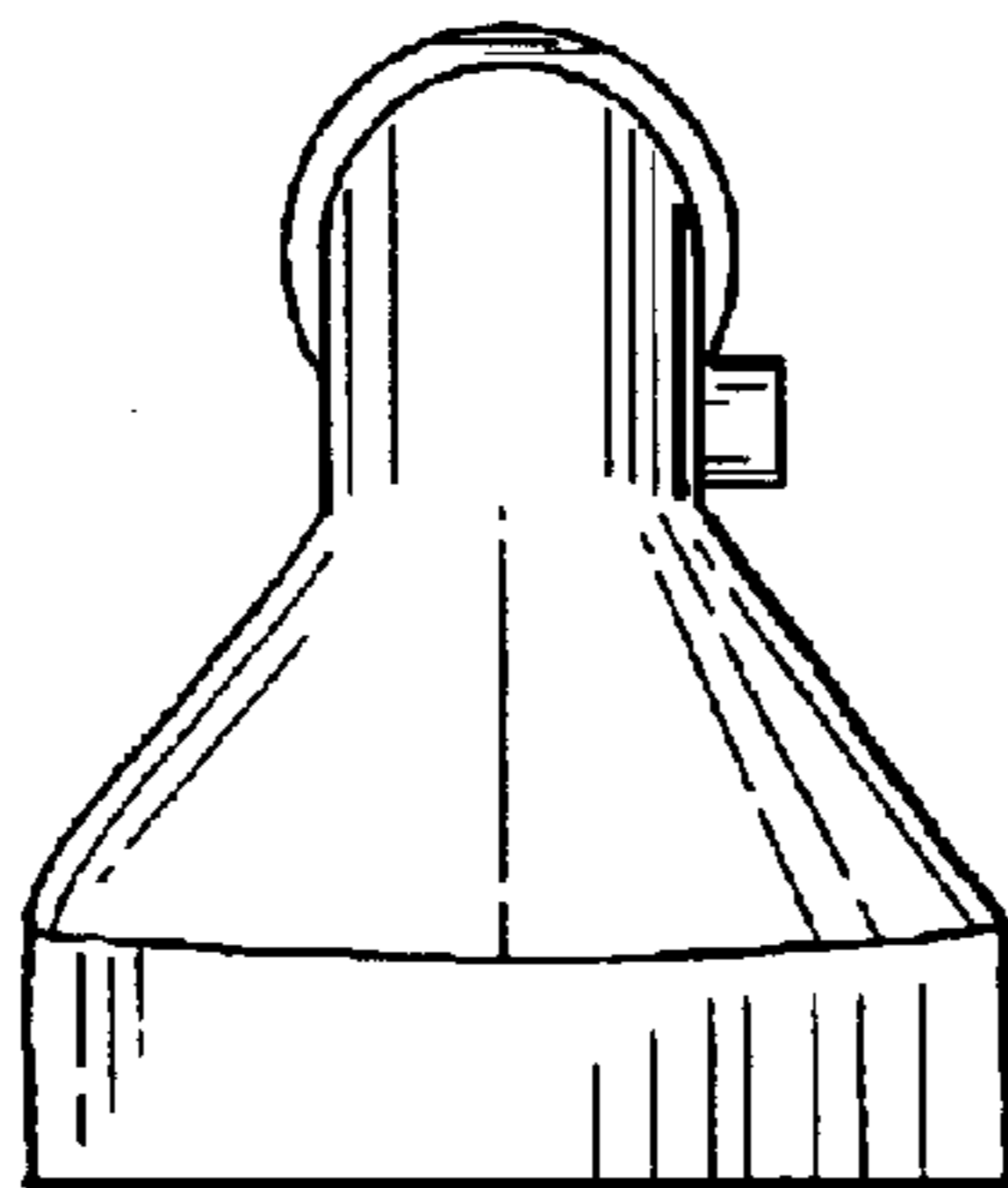


Fig. 6

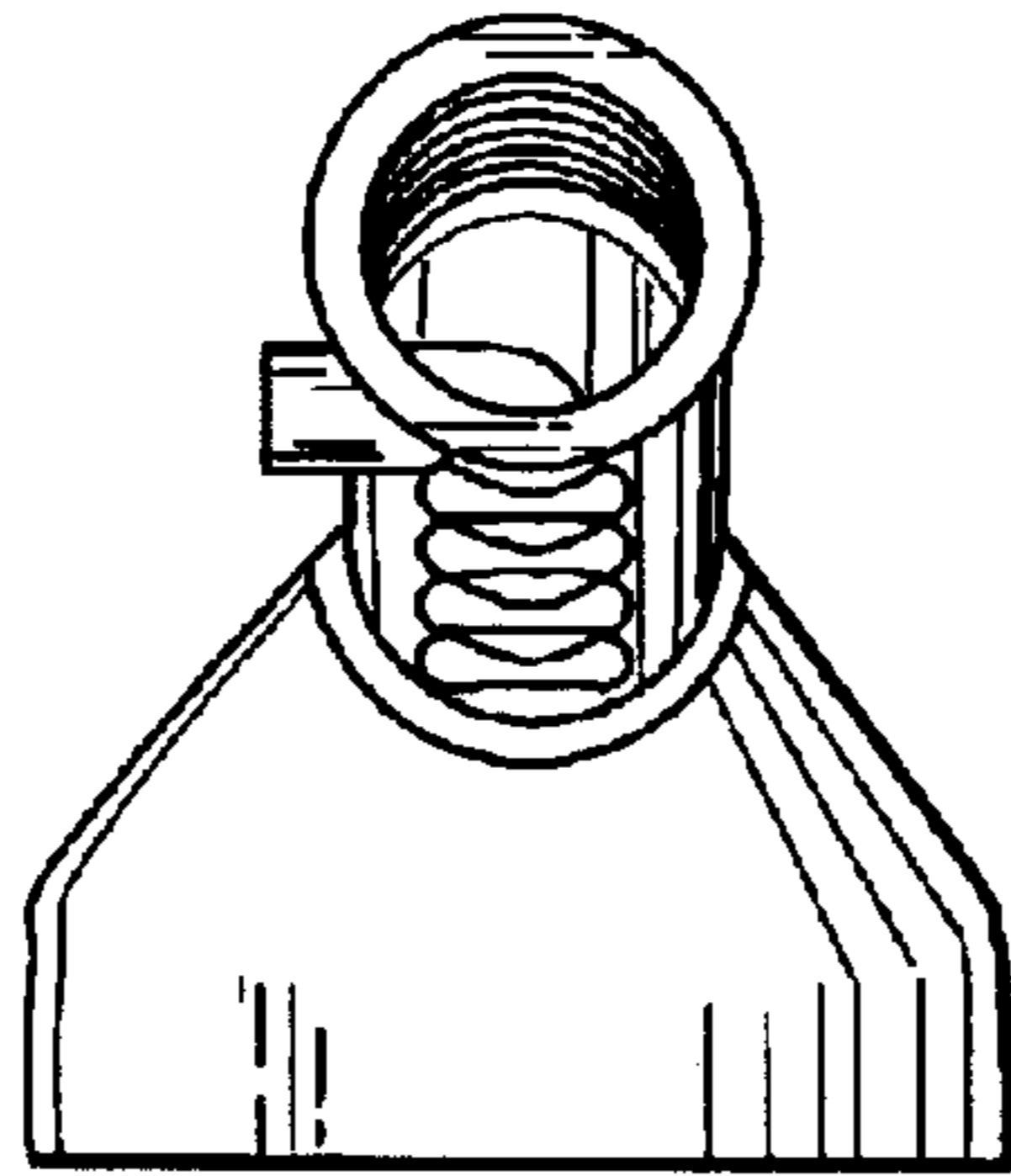


Fig. 7

