



US00D489950S

(12) **United States Design Patent**
Malik et al.

(10) **Patent No.:** **US D489,950 S**
(45) **Date of Patent:** **** May 18, 2004**

(54) **DISPENSER FOR SOLID EDIBLE FOODS HAVING REPLACEABLE INTERNAL DIES**

(76) Inventors: **Vijay S. Malik**, 4405 Fairmount Ave., Kansas City, MO (US) 64111; **Drake L. Koch**, 3309 Genessee, Kansas City, MO (US) 64111

(**) Term: **14 Years**

(21) Appl. No.: **29/163,409**

(22) Filed: **Jul. 2, 2002**

Related U.S. Application Data

(63) Continuation-in-part of application No. 09/882,893, filed on Jun. 15, 2001, which is a continuation-in-part of application No. 29/124,812, filed on Jun. 12, 2000, now Pat. No. Des. 444,358, which is a continuation-in-part of application No. 09/165,495, filed on Oct. 2, 1998, now Pat. No. 6,082,596.

(51) **LOC (7) Cl.** **07-04**

(52) **U.S. Cl.** **D7/669; D7/670**

(58) **Field of Search** D7/368, 669, 670; 222/47, 80, 157, 387, 390, 391; 401/9-12, 79, 82, 84, 98, 131, 175, 176; 425/87, 192 R, 376.1, 382 R, 461, 464

(56) **References Cited**

U.S. PATENT DOCUMENTS

1,335,998 A 4/1920 St. Onge

(List continued on next page.)

OTHER PUBLICATIONS

Dispensing Device for Butter and Margarine—New Product for Licensing. Shawn A. Stewart, Inventor. www.invention.com.

Primary Examiner—Terry A. Wallace

(74) *Attorney, Agent, or Firm*—Richard L. Marsh

(57) **CLAIM**

The ornamental design for a dispenser for solid edible foods having replaceable internal dies, as shown and described.

DESCRIPTION

FIG. 1 is a right frontal exploded perspective view of the design of a dispenser for solid edible foods having replaceable internal dies showing one replaceable internal die.

FIG. 2 is a rear elevation view of the design of a dispenser for solid edible foods having replaceable internal dies of FIG. 1.

FIG. 3 is a bottom plan view of the design of a dispenser for solid edible foods having replaceable internal dies of FIG. 1 showing an aperture in the dispensing end having one replaceable internal die therebehind.

FIG. 4 is a top plan view of the design of a dispenser for solid edible foods having replaceable internal dies of FIG. 1.

FIG. 5 is a left side elevation view of the design of a dispenser for solid edible foods having replaceable internal dies of FIG. 1.

FIG. 6 is a right side elevation view of the design of a dispenser for solid edible foods having replaceable internal dies of FIG. 1.

FIG. 7 is a front elevation view of the design of a dispenser for solid edible foods having replaceable internal dies.

FIG. 8 is a front elevation view of one internally replaceable die for the dispenser for solid edible foods having replaceable internal dies of FIG. 1 the rear elevation view being a mirror image.

FIG. 9 is a front elevation view of a second internally replaceable die for the dispenser for solid edible foods having replaceable internal dies of FIG. 1 the rear elevation view being a mirror image.

FIG. 10 is a front elevation view of a third internally replaceable die for the dispenser for solid edible foods having replaceable internal dies of FIG. 1 the rear elevation view being a mirror image.

FIG. 11 is a front elevation view of a fourth internally replaceable die for the dispenser for solid edible foods having replaceable internal dies of FIG. 1 the rear elevation view being a mirror image.

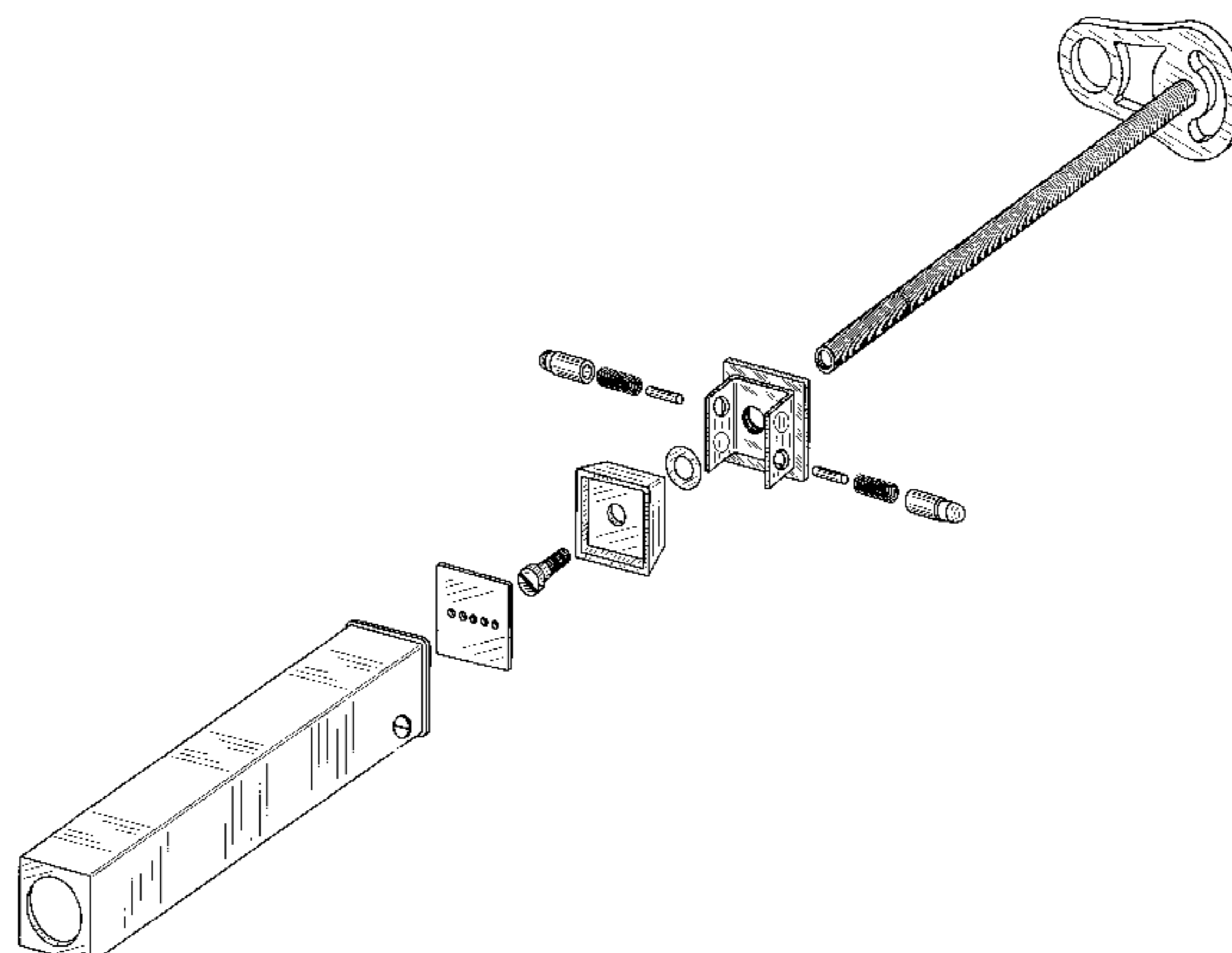
FIG. 12 is a front elevation view of a fifth internally replaceable die for the dispenser for solid edible foods having replaceable internal dies of FIG. 1 the rear elevation view being a mirror image.

FIG. 13 is a front elevation view of a sixth internally replaceable die for the dispenser for solid edible foods having replaceable internal dies of FIG. 1 the rear elevation view being a mirror image; and,

FIG. 14 is a side elevation view of the internally replaceable dies of FIGS. 8-13, the view of the opposite side edge, top side edge and bottom side edge being identical.

The internal dies are shown separately for clarity of illustration in FIGS. 8-13.

1 Claim, 4 Drawing Sheets



US D489,950 S

Page 2

U.S. PATENT DOCUMENTS

1,463,407 A	7/1923	Sharp et al.	4,241,852 A	12/1980	Klem	
2,489,667 A	11/1949	Pennell	4,544,083 A	10/1985	Schroeder	
2,589,000 A	3/1952	Vani	4,964,745 A	10/1990	Deitz	
2,845,707 A	8/1958	Redmond	D315,083 S	3/1991	Anderson et al.	
2,980,247 A	4/1961	DiGiantomaso	D347,366 S	5/1994	Harmen et al.	
3,162,884 A	12/1964	Bordwine et al.	5,421,663 A *	6/1995	Bravo	401/82
3,750,913 A	8/1973	Wild	5,955,114 A	9/1999	Llanos	
3,920,156 A	11/1975	Hicks				

* cited by examiner

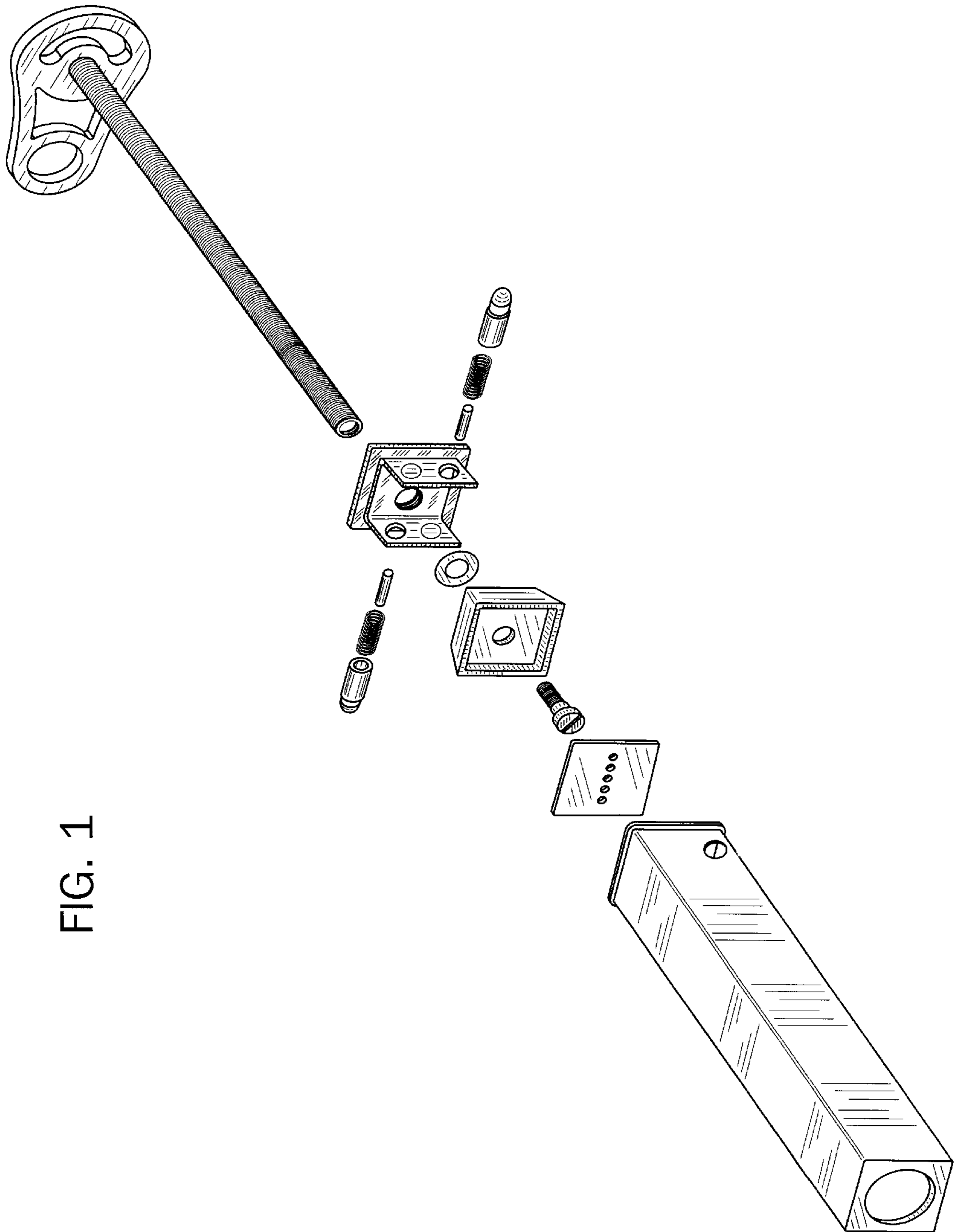


FIG. 1

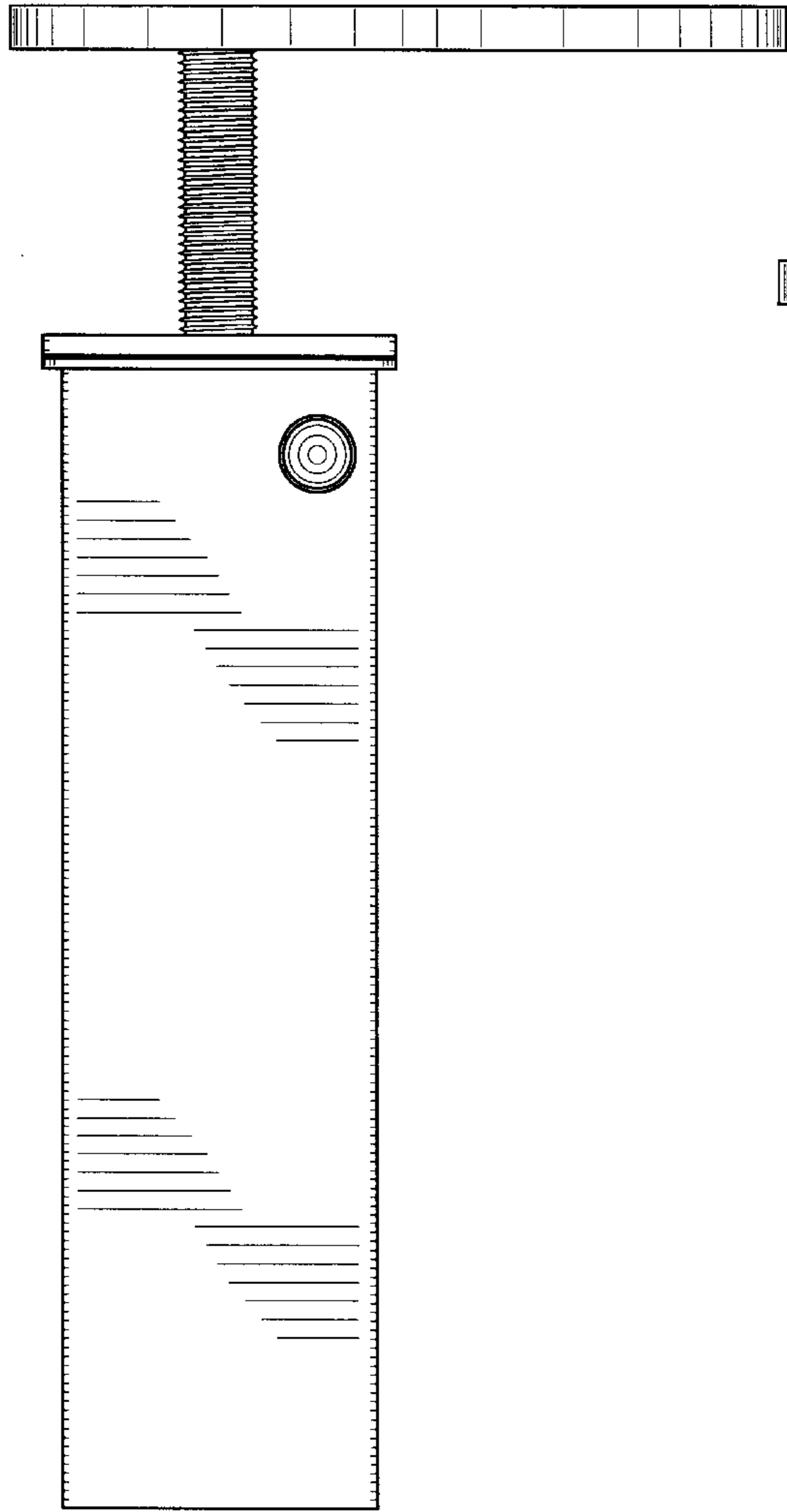


FIG. 2

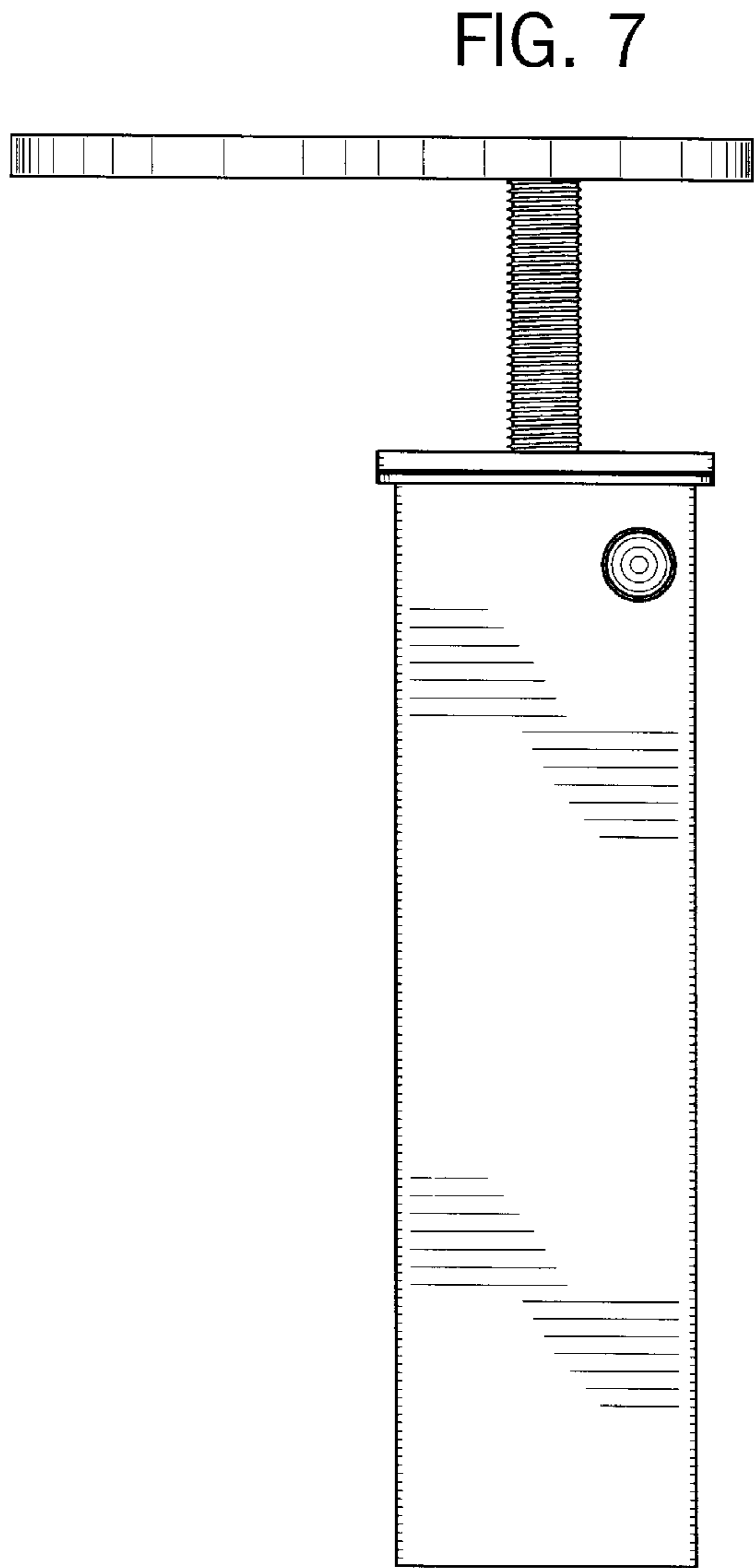


FIG. 7

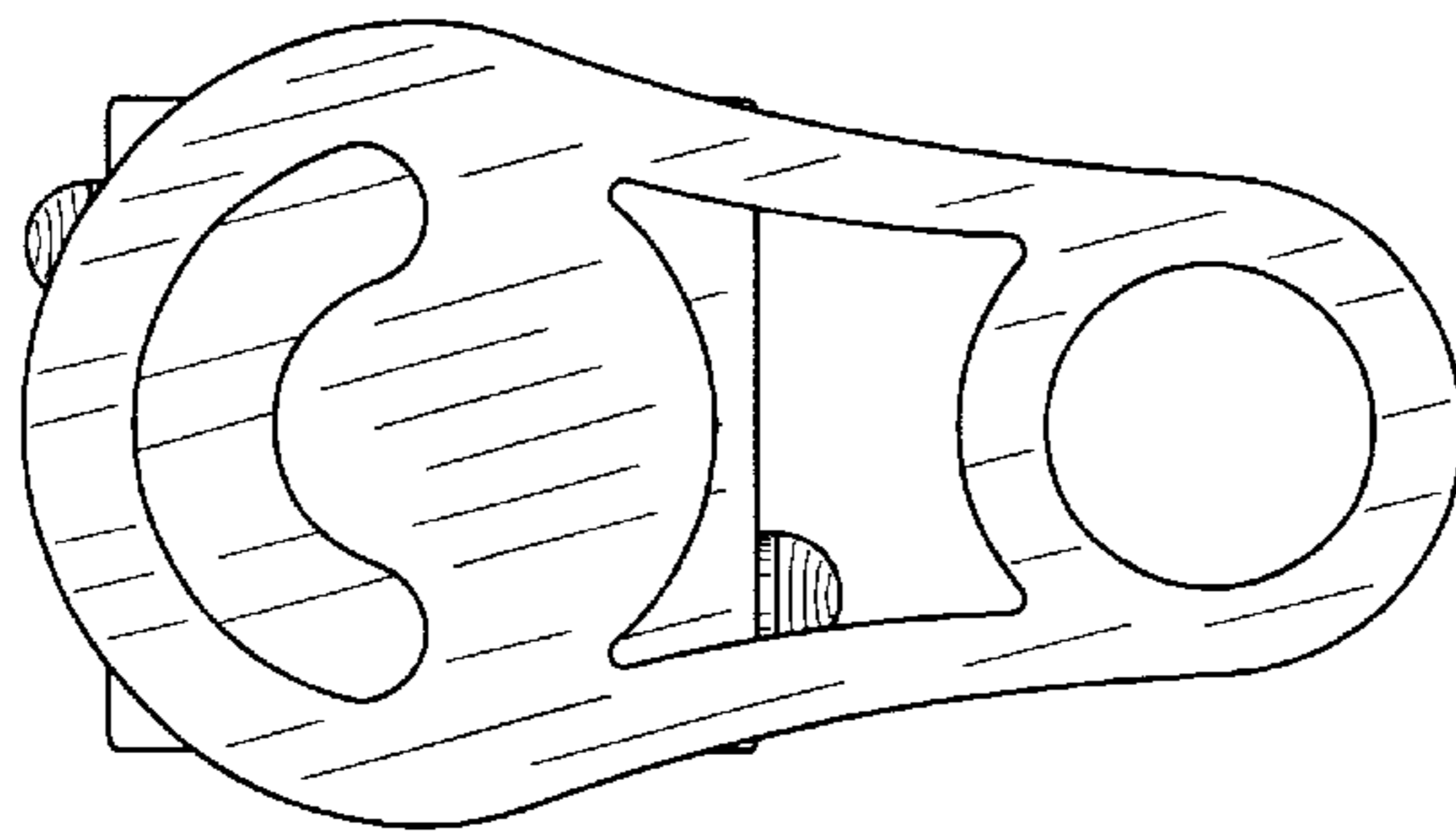


FIG. 4

FIG. 5

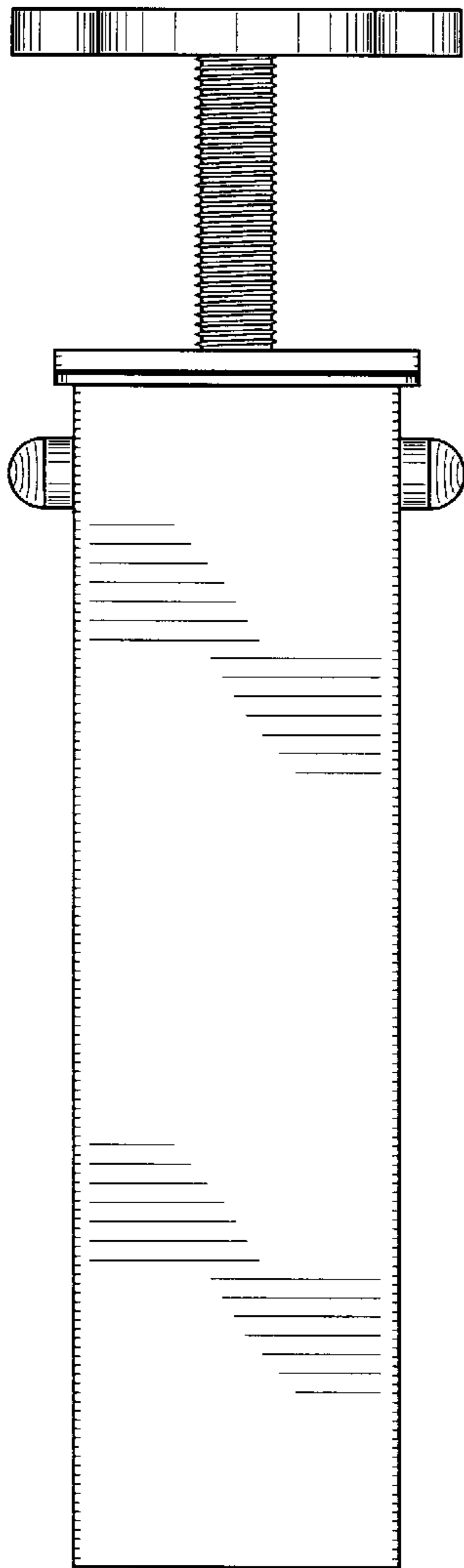


FIG. 6

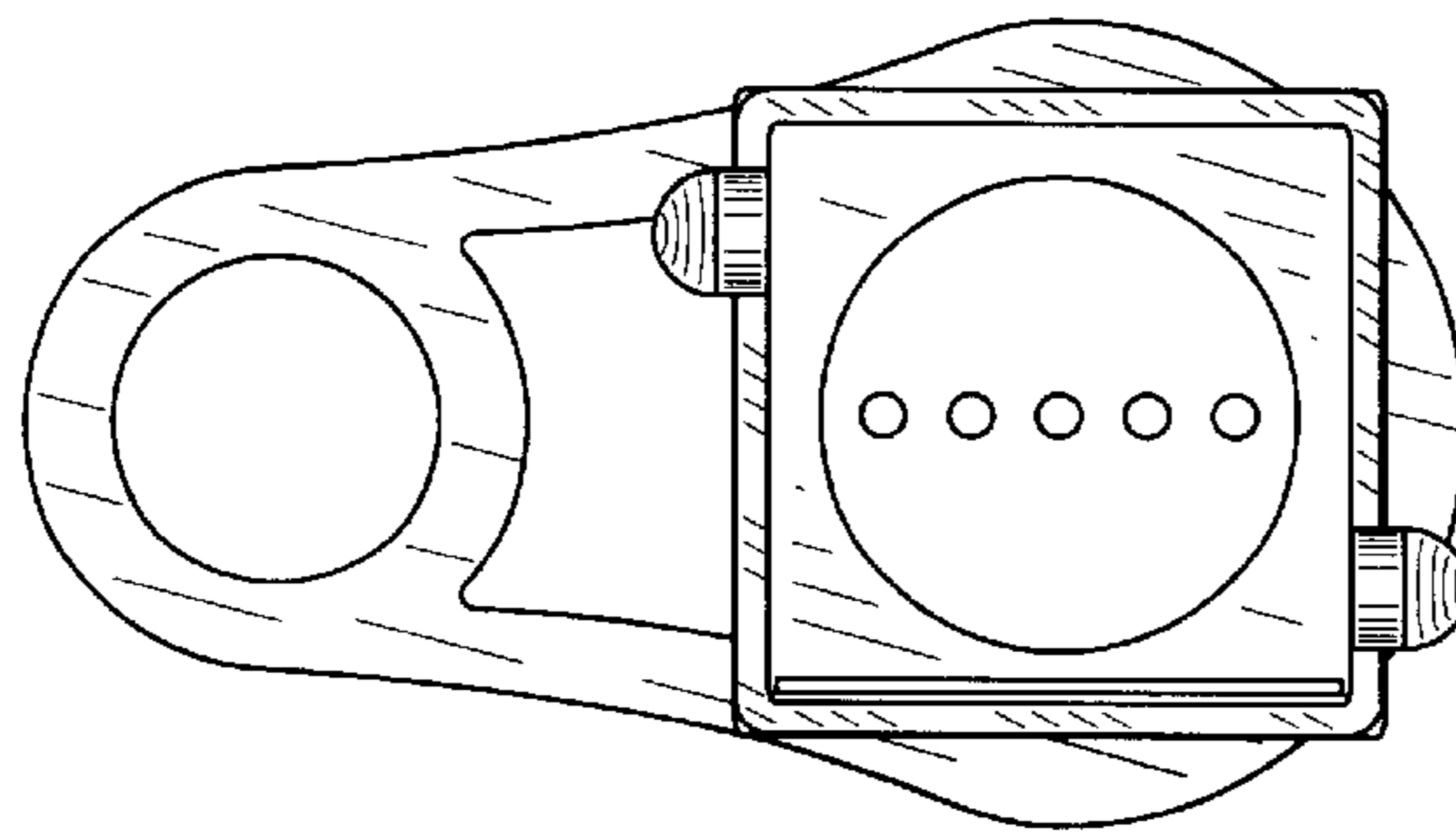
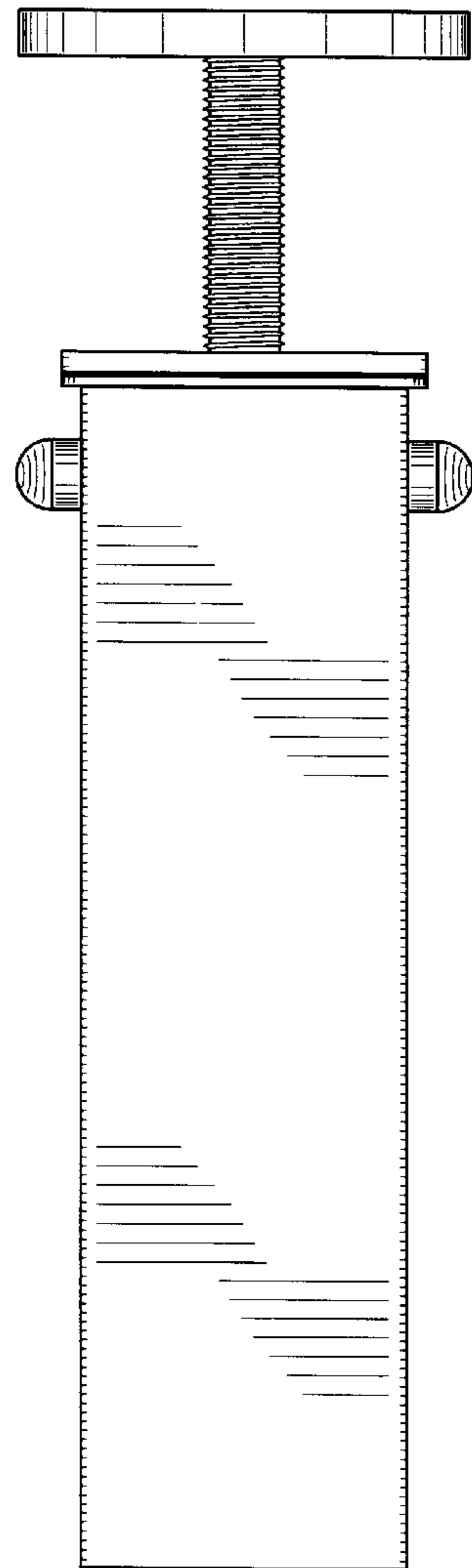


FIG. 3

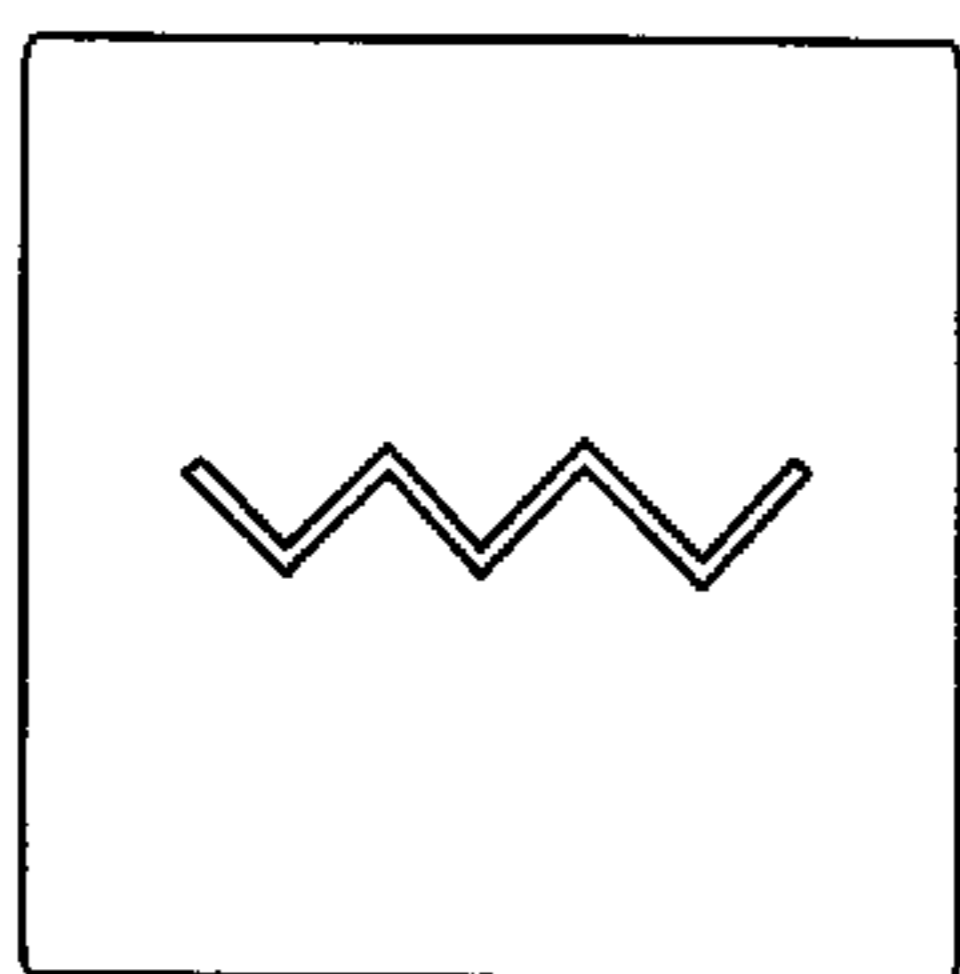


FIG. 8

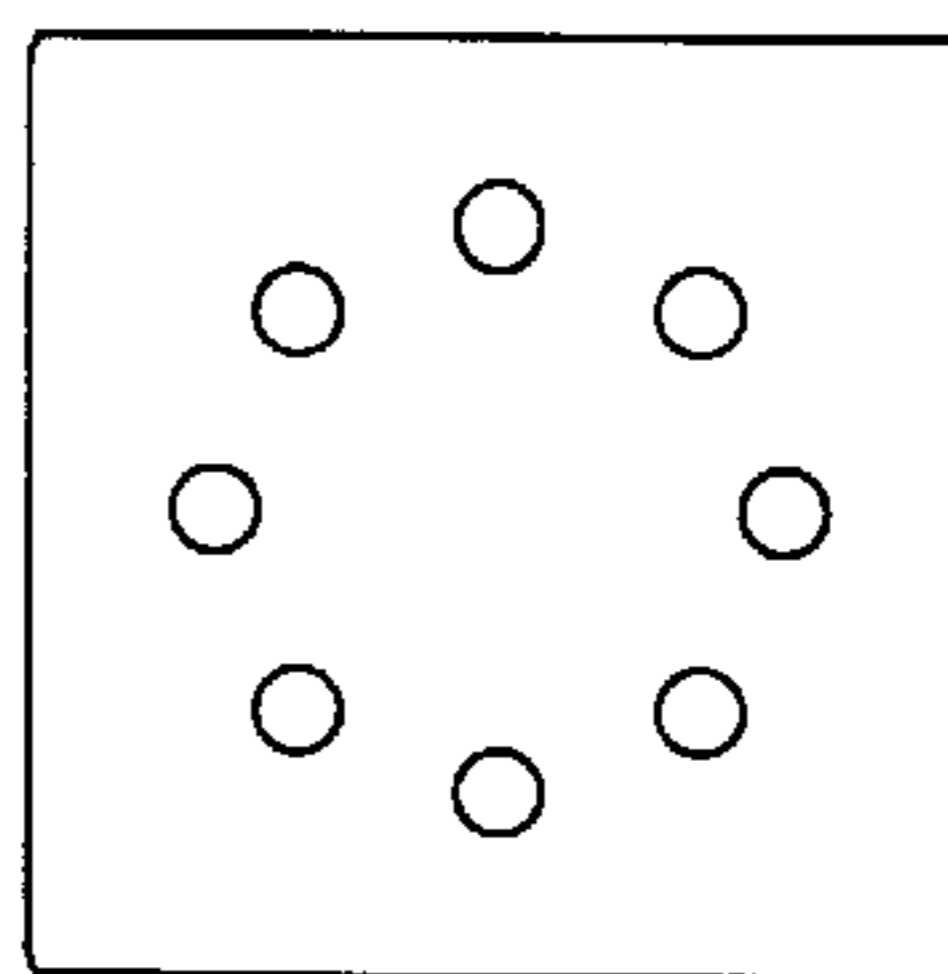


FIG. 9

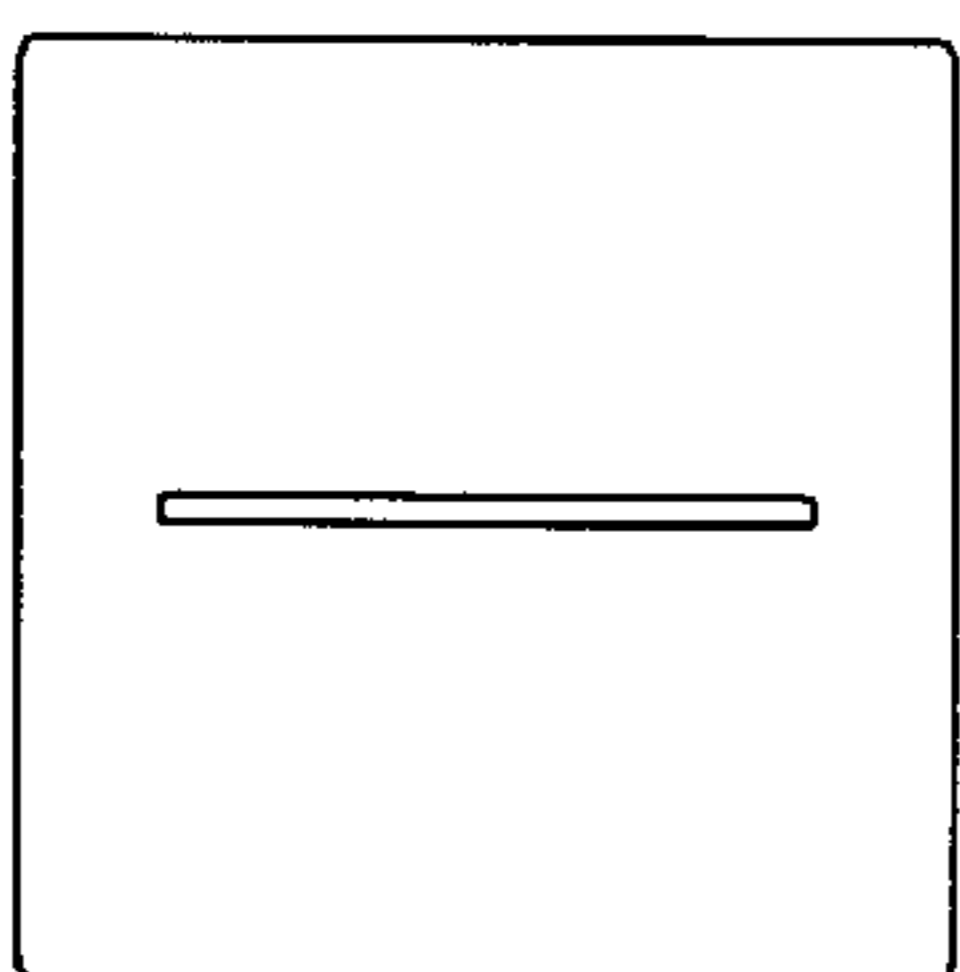


FIG. 10

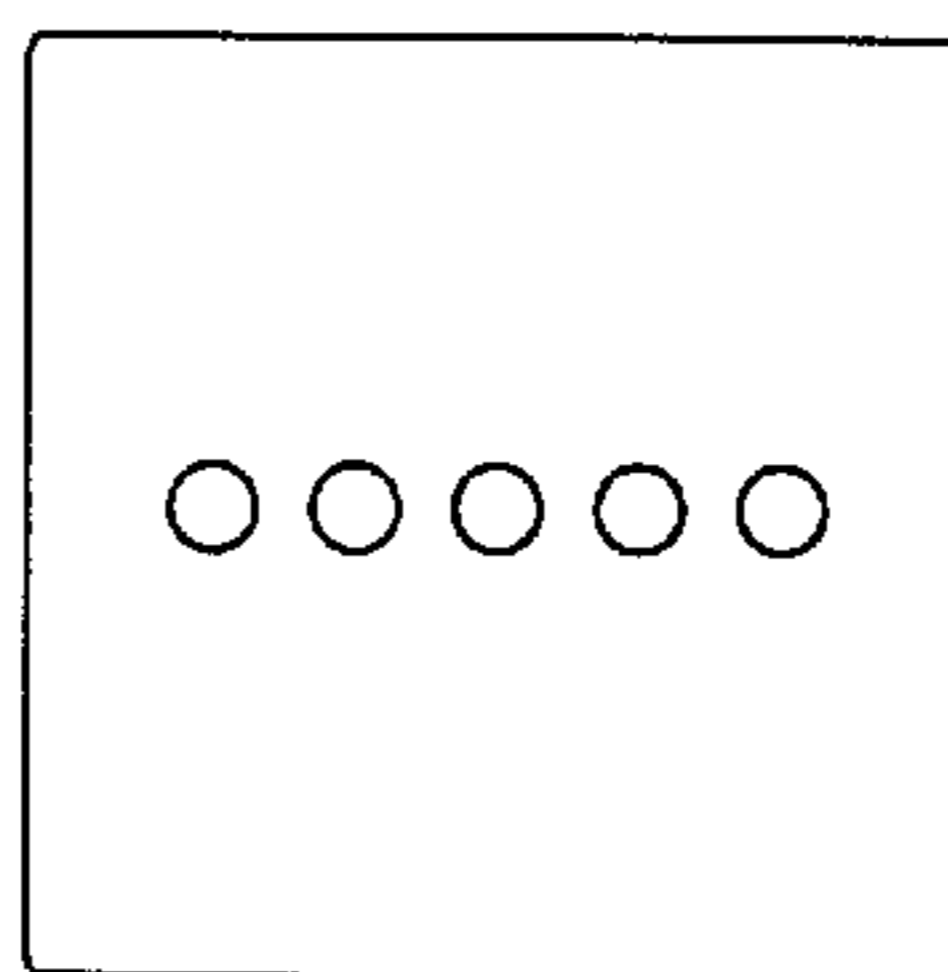


FIG. 11

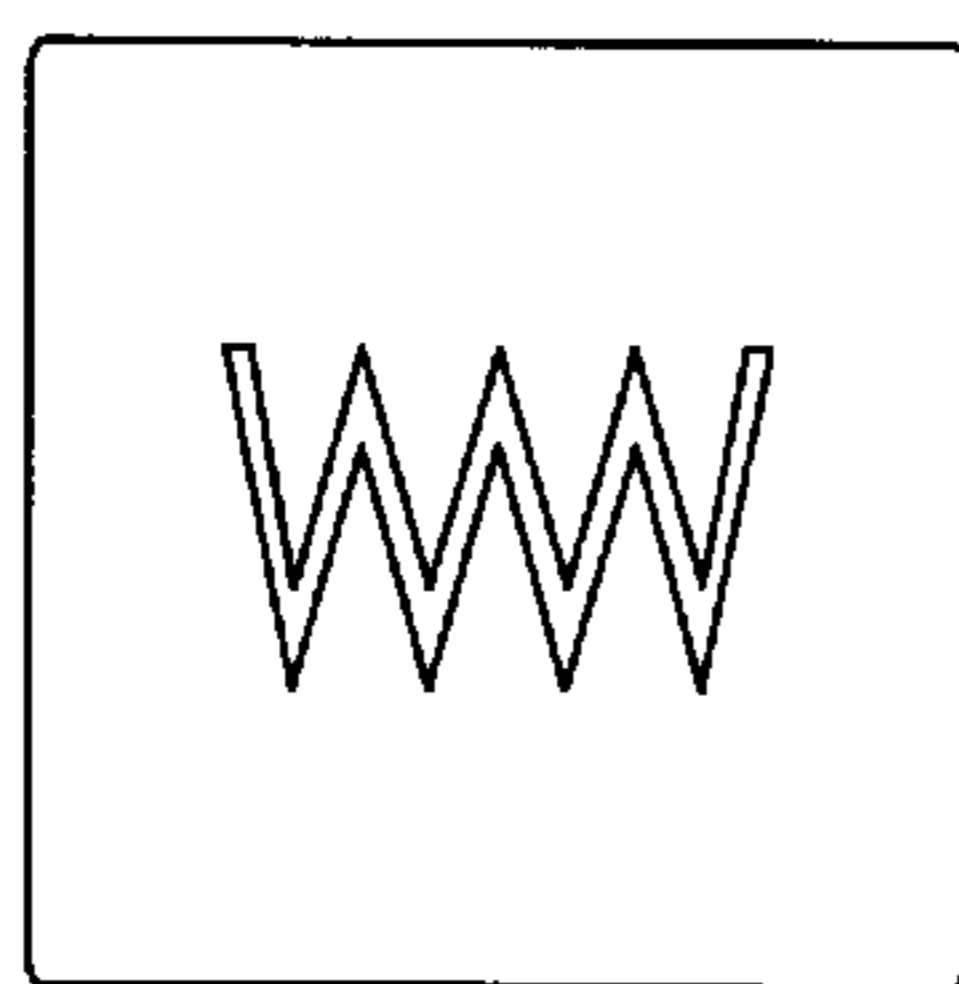


FIG. 12

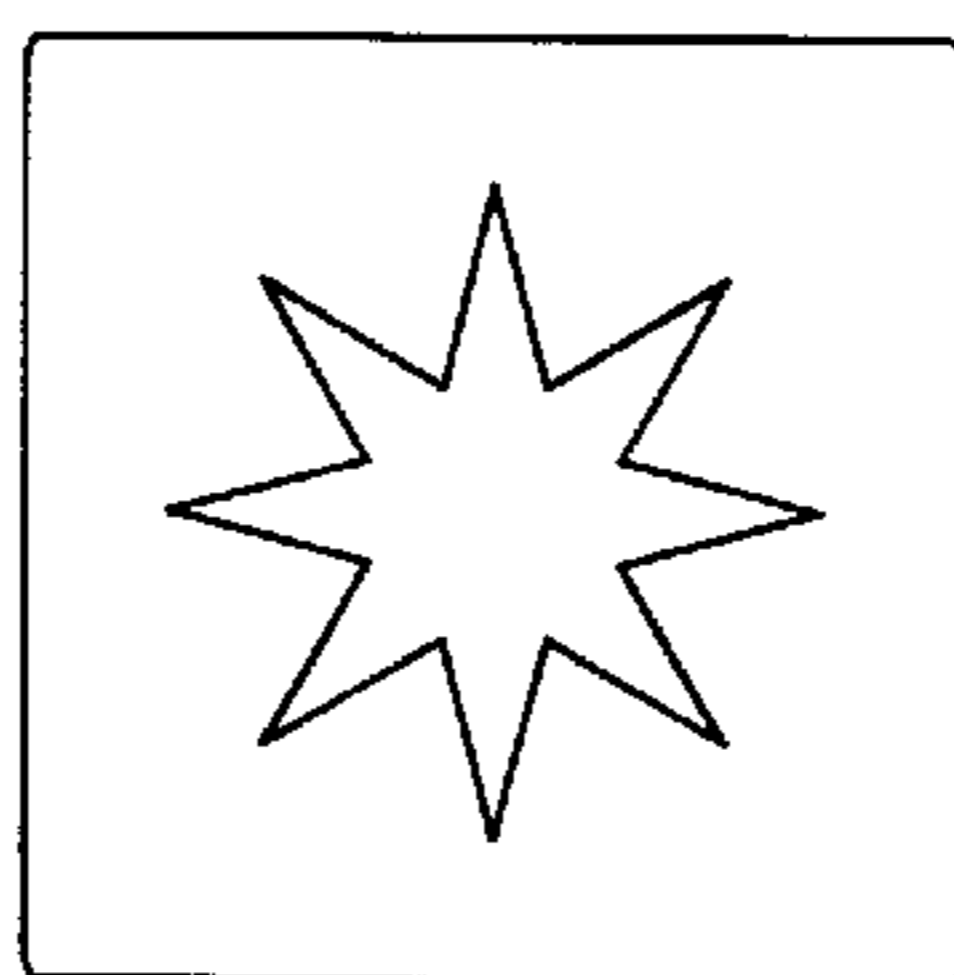


FIG. 13



FIG. 14