



US00D489949S

(12) **United States Design Patent**  
**Chung**

(10) **Patent No.:** **US D489,949 S**

(45) **Date of Patent:** **\*\* May 18, 2004**

- (54) **ELECTRIC JUICE EXTRACTOR**
- (75) Inventor: **Wing Hang Frankie Chung**, Hong Kong (HK)
- (73) Assignee: **Sunny Electronic Company Limited**, Kowloon (HK)
- (\*\*) Term: **14 Years**
- (21) Appl. No.: **29/185,001**
- (22) Filed: **Jun. 18, 2003**
- (51) **LOC (7) Cl.** ..... **31-00**
- (52) **U.S. Cl.** ..... **D7/665**
- (58) **Field of Search** ..... D7/655, 666; 99/501-508, 99/348, 357, 492, 499; 241/100

- (56) **References Cited**  
U.S. PATENT DOCUMENTS  
D341,522 S \* 11/1993 Lamson et al. .... D7/665

D439,808 S \* 4/2001 McClean et al. .... D7/665  
\* cited by examiner  
*Primary Examiner*—Terry A. Wallace

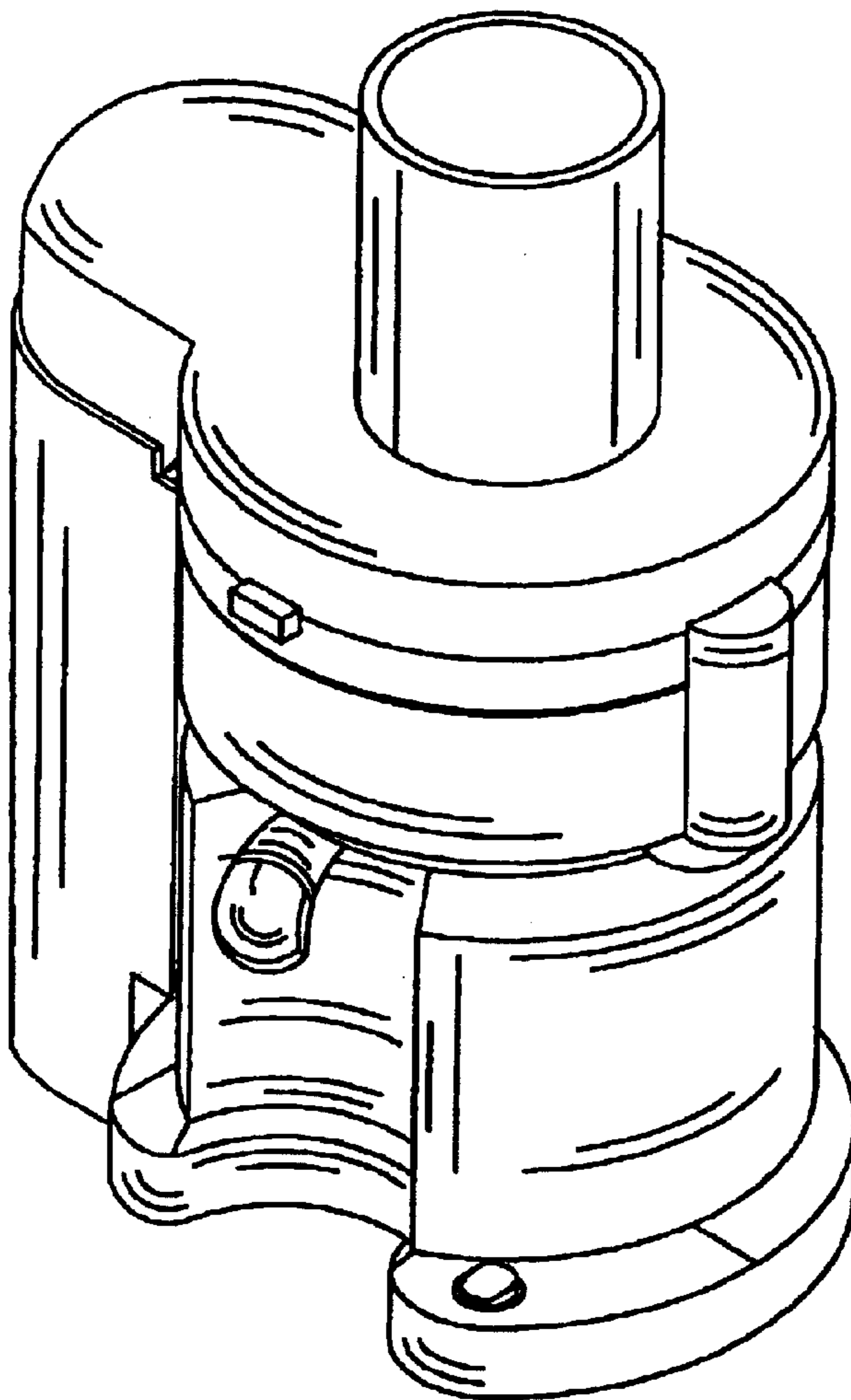
(57) **CLAIM**

The ornamental design for an electric juice extractor, as shown.

**DESCRIPTION**

The claimed electric juice extractor is used for extracting juice from fruit or vegetables.  
 FIG. 1 is a front elevational view of an electric juice extractor showing my new design;  
 FIG. 2 is a rear elevational view thereof;  
 FIG. 3 is a left side elevational view thereof;  
 FIG. 4 is a right side elevational view thereof;  
 FIG. 5 is a top plan view thereof;  
 FIG. 6 is a bottom plan view thereof; and,  
 FIG. 7 is a perspective view thereof.

**1 Claim, 3 Drawing Sheets**



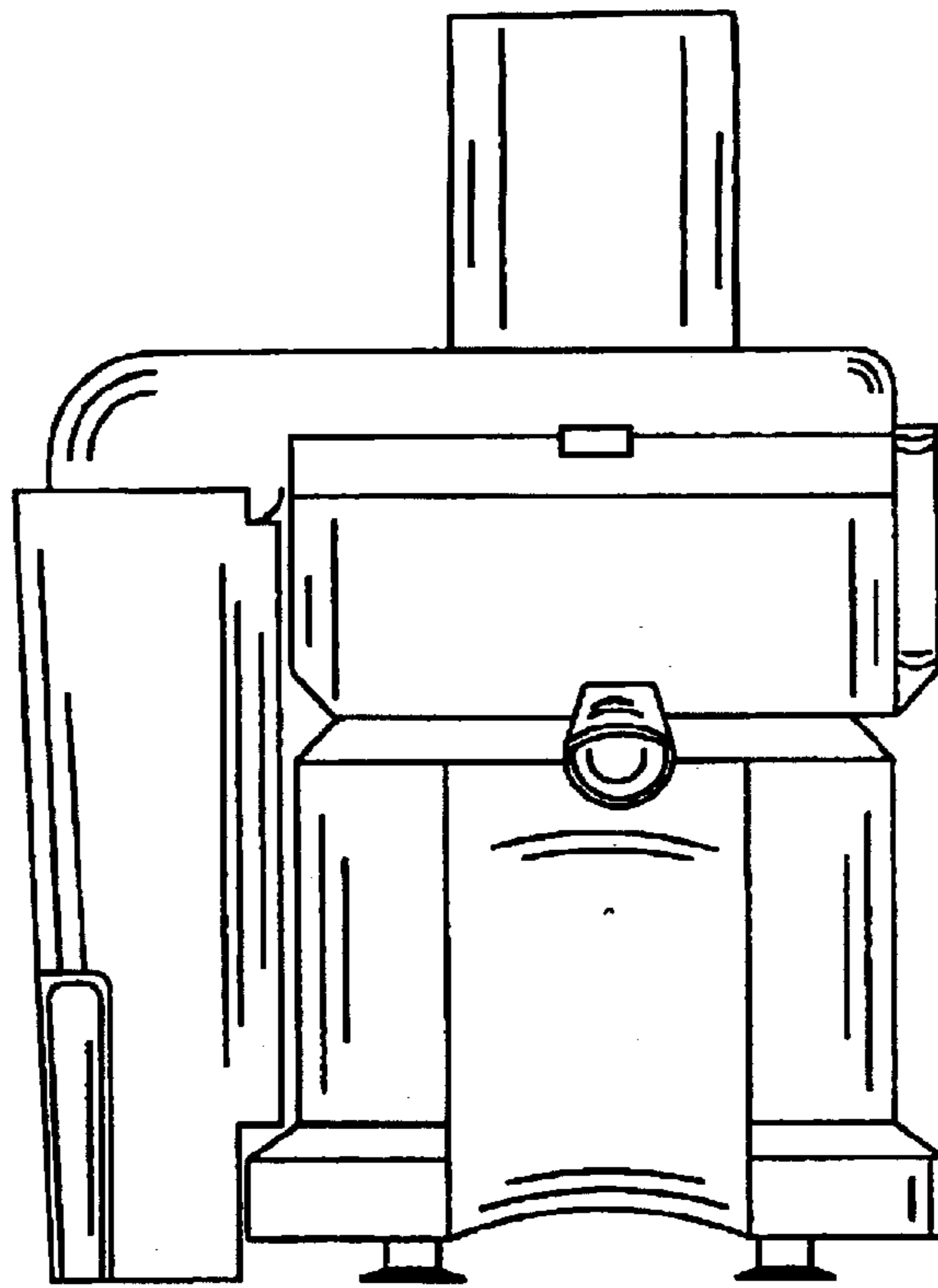


FIG. 1

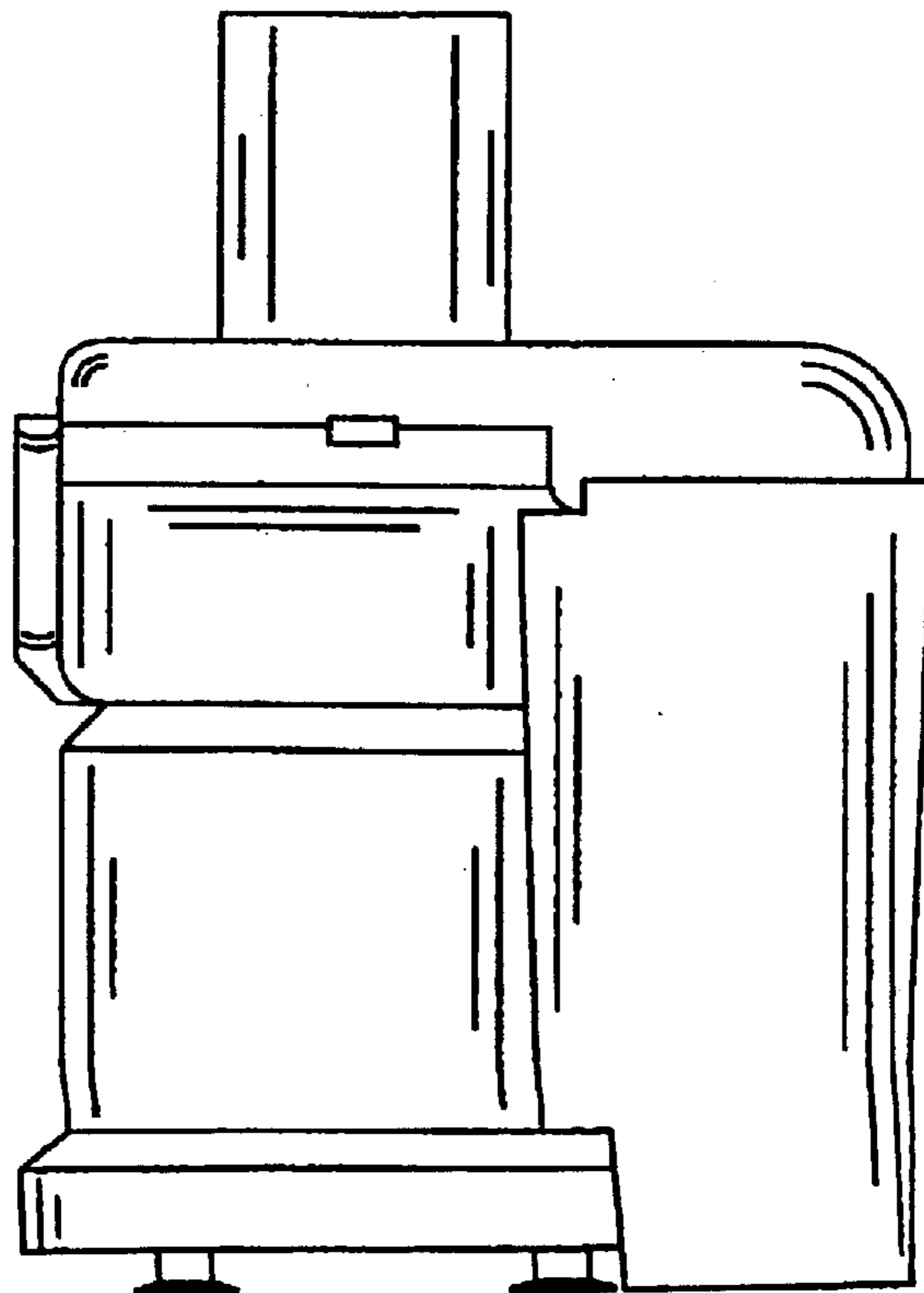


FIG. 2

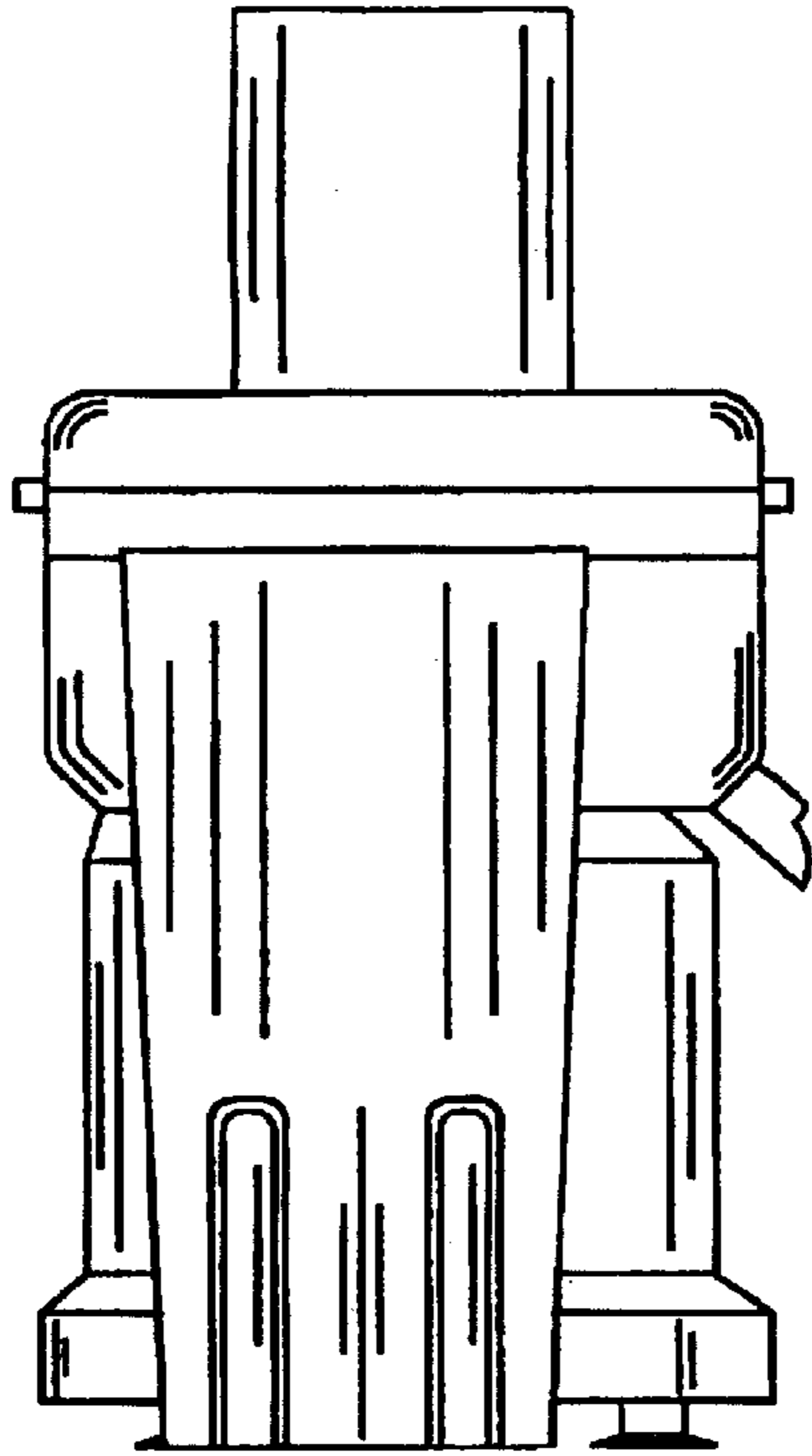


FIG. 3

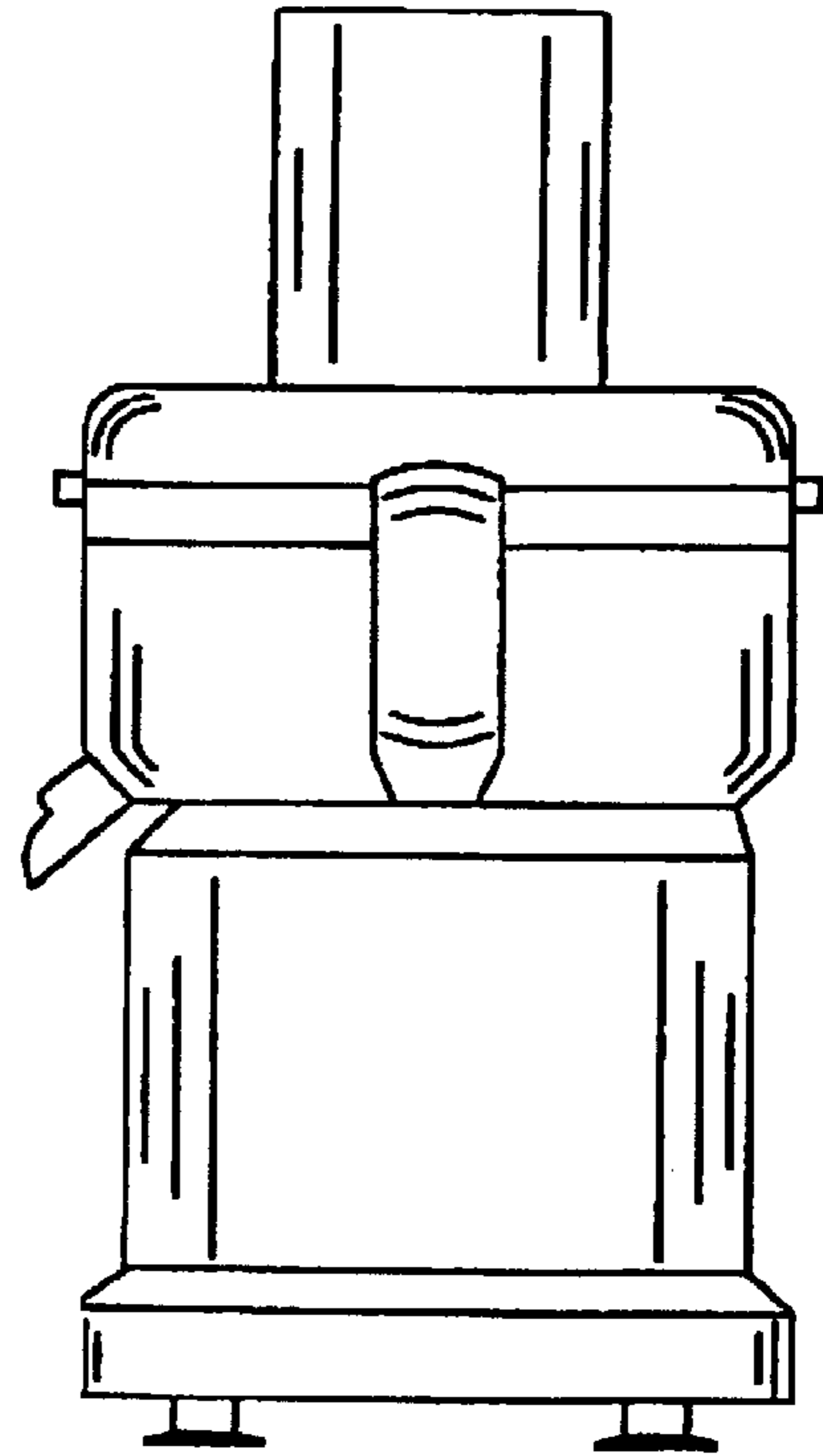


FIG. 4

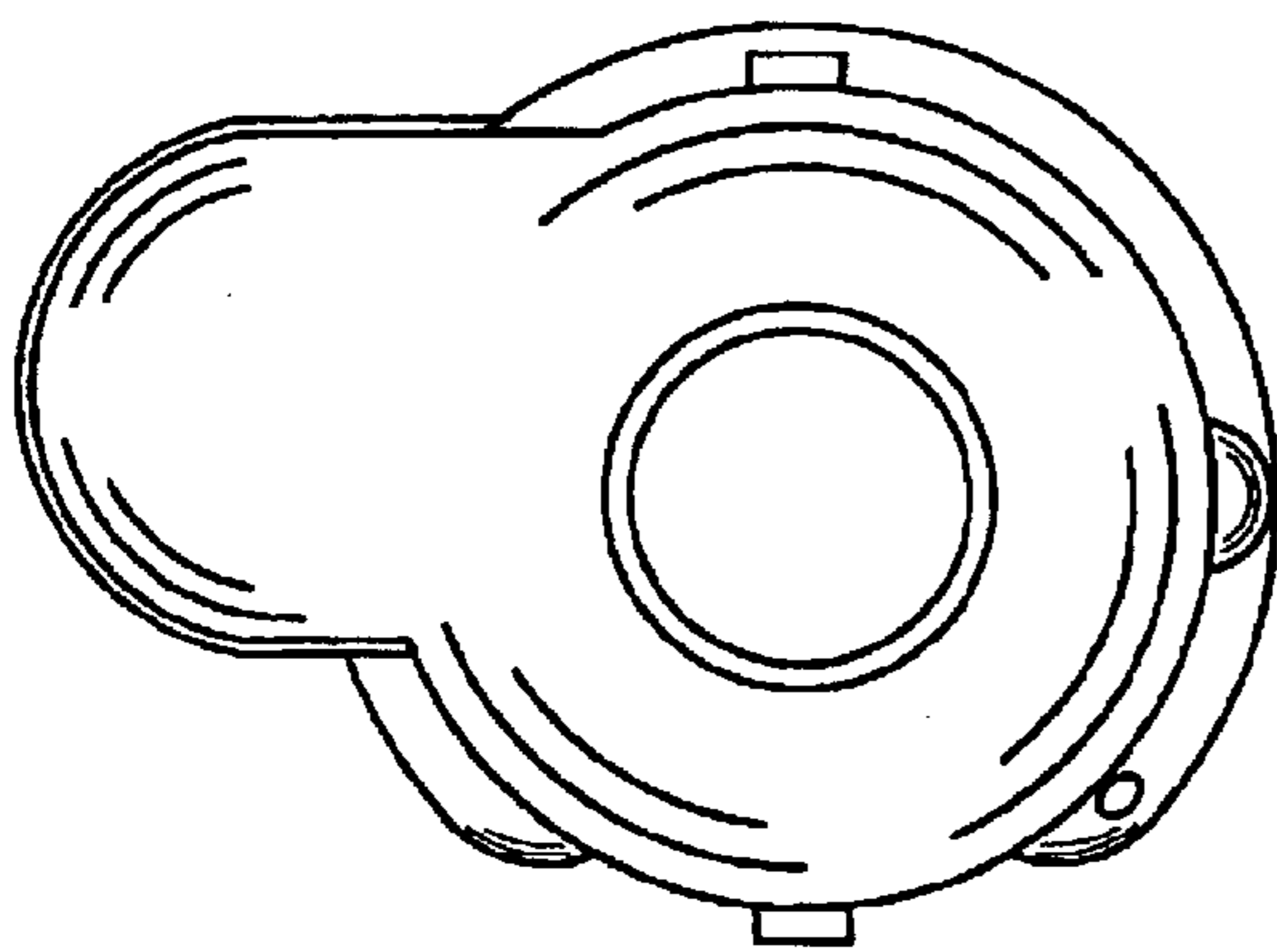


FIG. 5

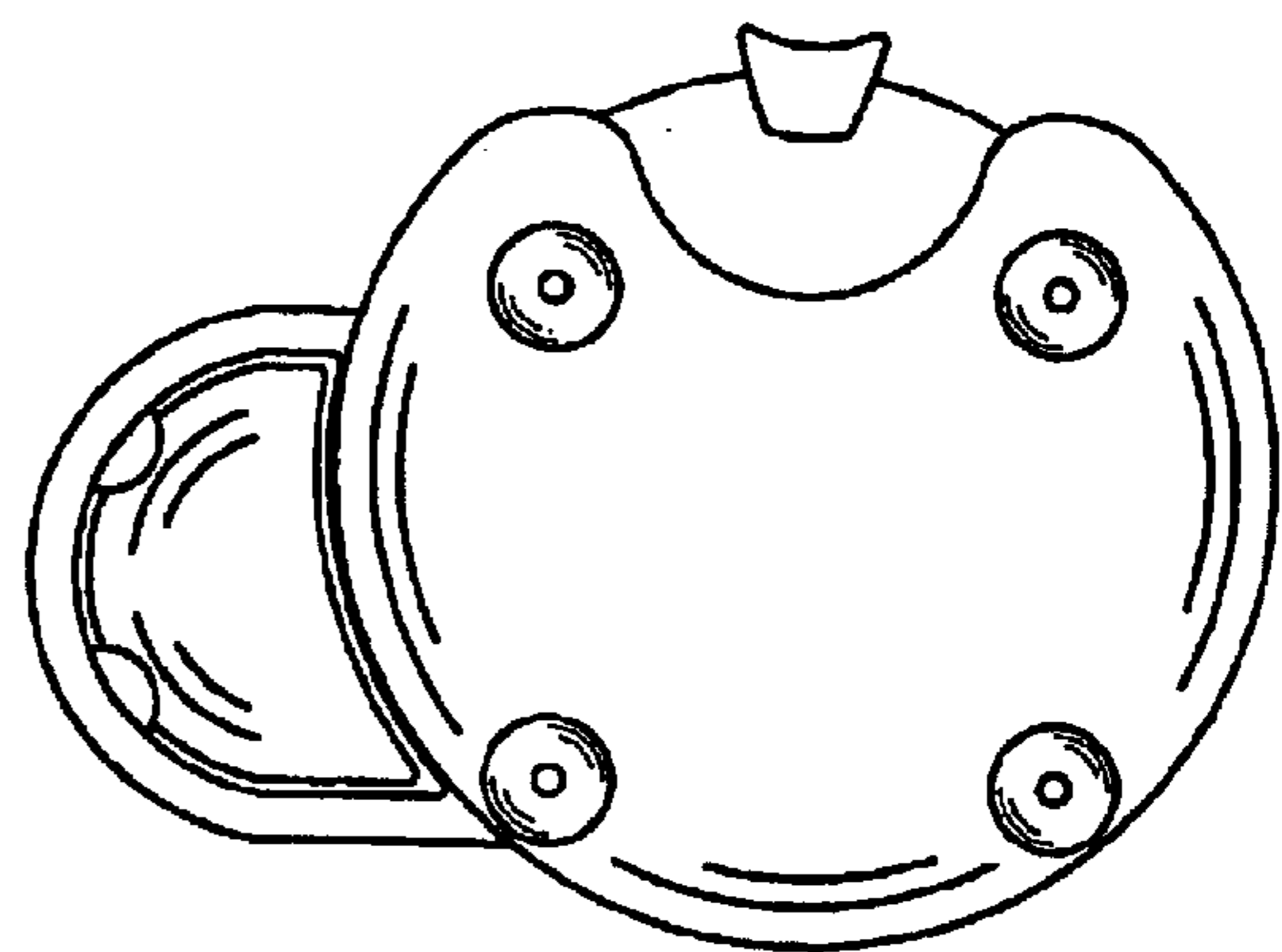


FIG. 6

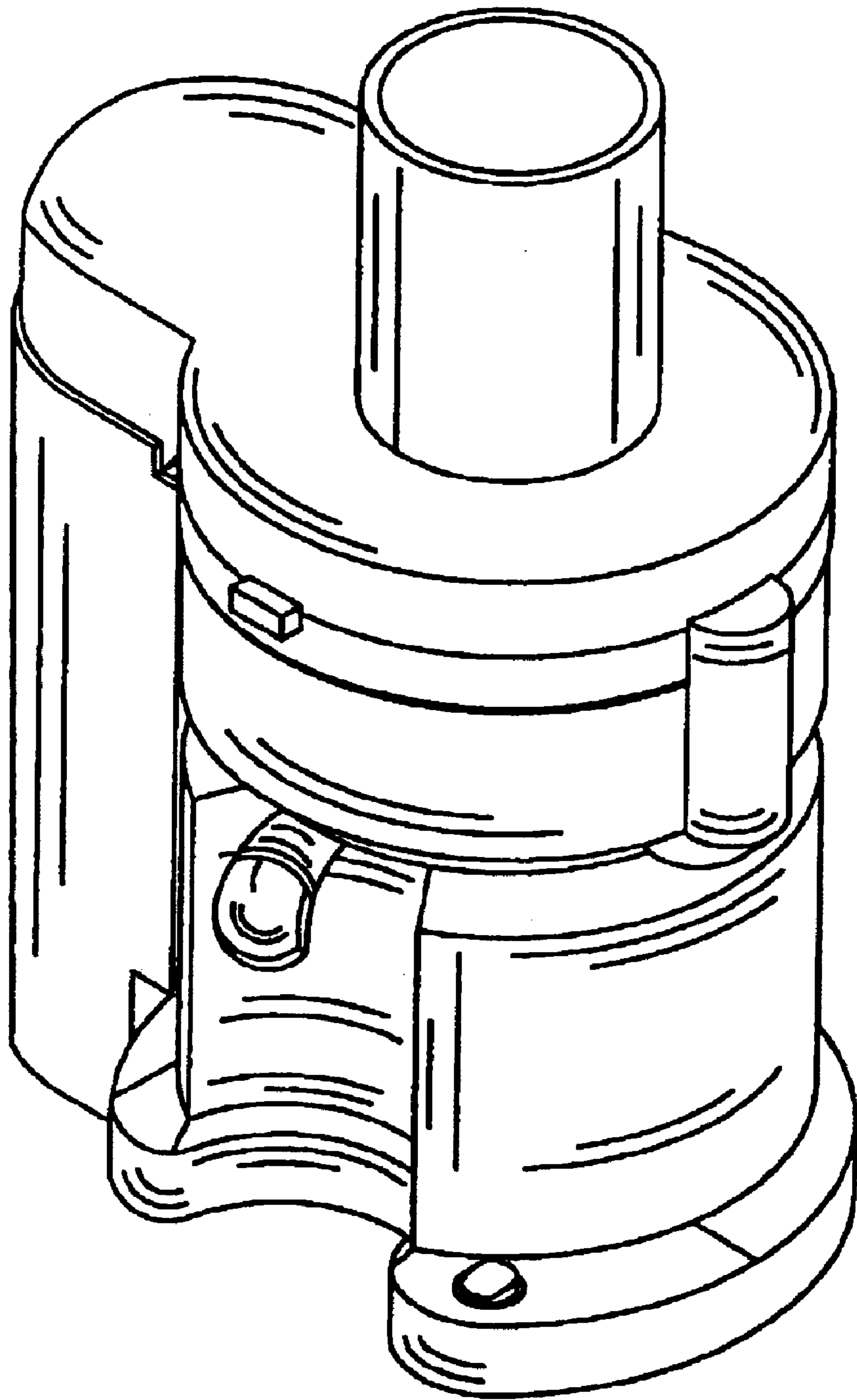


FIG. 7