



US00D489943S

(12) **United States Design Patent**
Shane-Schuldt

(10) **Patent No.:** **US D489,943 S**

(45) **Date of Patent:** **** May 18, 2004**

(54) **SPOON**

0-9629105-1-1, TC 2900 Library under D7, p. 14, Pattern:
Princess by George C. Erickson.*

(75) Inventor: **Diane Shane-Schuldt**, Sherrill, NY
(US)

* cited by examiner

(73) Assignee: **Oneida, Ltd.**, Oneida, NY (US)

Primary Examiner—Caron D. Veynar

(**) Term: **14 Years**

(74) *Attorney, Agent, or Firm*—Wall Marjama & Bilinski
LLP

(21) Appl. No.: **29/181,371**

(57) **CLAIM**

(22) Filed: **May 9, 2003**

The ornamental design for a spoon, as shown and described.

(51) **LOC (7) Cl.** **07-03**

(52) **U.S. Cl.** **D7/653**

(58) **Field of Search** D7/642-645, 653-664,
D7/401.2; 30/147-150, 322-328

DESCRIPTION

(56) **References Cited**

U.S. PATENT DOCUMENTS

- D175,100 S * 7/1955 Berk D7/653
- D240,889 S * 8/1976 Guodace D7/645
- D247,086 S * 1/1978 Gonshorek D7/645

FIG. 1 is a top plan view of a spoon, illustrating my new design;

FIG. 2 is a bottom plan view thereof;

FIG. 3 is a left side elevation view thereof; the right side elevation view being a mirror image thereof;

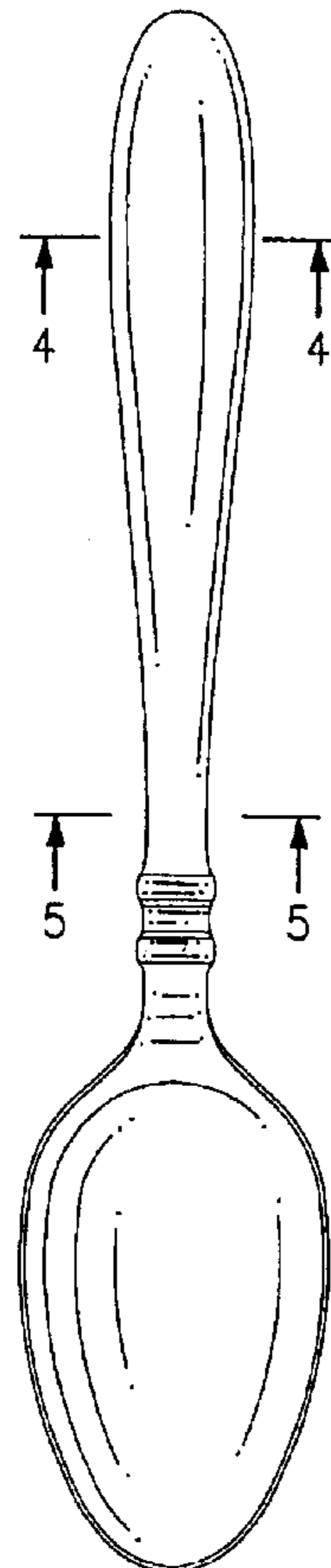
FIG. 4 is a cross-sectional view taken along line 4-4 of FIG. 1; and,

FIG. 5 is a cross-sectional view taken along line 5-5 of FIG. 1.

OTHER PUBLICATIONS

Sterling Flatware Revised Second Edition An Identification
and Value Guide by Tere Hagan, ©1994, ISBN:

1 Claim, 1 Drawing Sheet



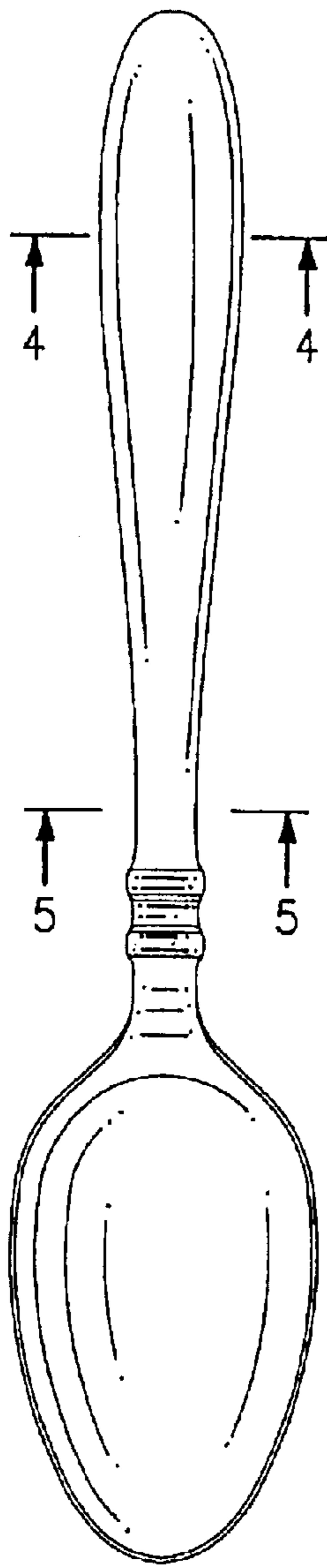


FIG. 1

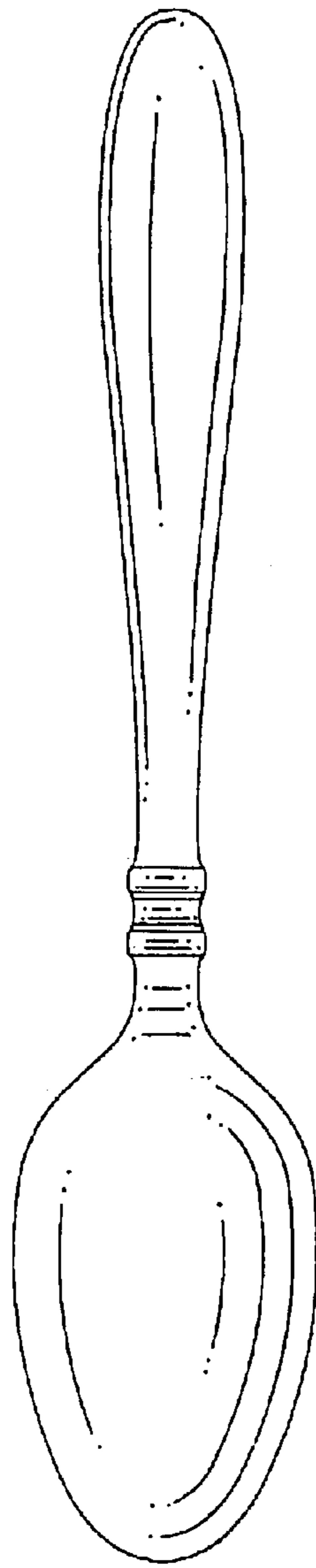


FIG. 2

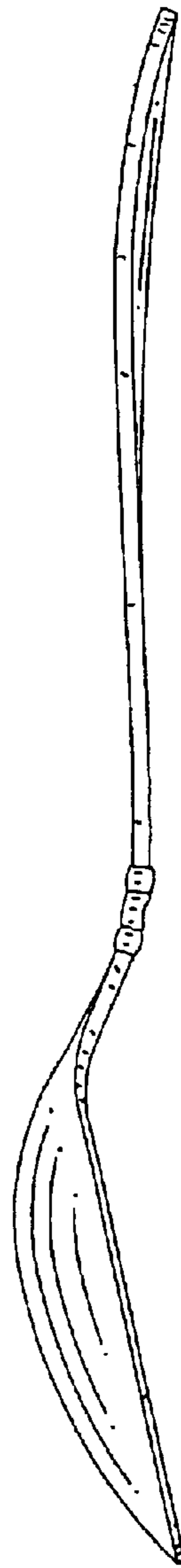


FIG. 3



FIG. 4



FIG. 5