



US00D489938S

(12) **United States Design Patent**
Vipond

(10) **Patent No.:** **US D489,938 S**

(45) **Date of Patent:** **** May 18, 2004**

(54) **TACO HOLDER**

(76) Inventor: **Lanette Vipond**, 331 W. 7th St., Ajo, AZ (US) 85321

(**) Term: **14 Years**

(21) Appl. No.: **29/179,324**

(22) Filed: **Apr. 7, 2003**

(51) **LOC (7) Cl.** **07-01**

(52) **U.S. Cl.** **D7/504**

(58) **Field of Search** D7/504, 550.1, D7/553.1, 553.2, 553.3, 555; 211/10, 11, 13.1, 60.1, 70.1, 85.4; 206/562-564; 220/574, 575; 248/174, 176.1; 99/426

(56) **References Cited**

U.S. PATENT DOCUMENTS

4,004,501 A * 1/1977 Guerrero 99/426
D307,864 S * 5/1990 Sorensen D7/553.3
D334,867 S * 4/1993 May D7/504

* cited by examiner

Primary Examiner—Terry A. Wallace

(74) *Attorney, Agent, or Firm*—Schmeiser, Olsen & Watts, LLP

(57) **CLAIM**

The ornamental design for the taco holder, as shown and described.

DESCRIPTION

FIG. 1 is a top plan view of the taco holders and base showing taco holders in place—a bottom plan view would be a flat surface of equal dimension to the base;

FIG. 2 is a front elevational view of the taco holder showing taco holders in place—a rear elevational view would be a mirror image;

FIG. 3 is a top view of the individual taco holders and the base with the taco holders removed—a bottom view of the taco holders would show a flat surface of equal dimension to the individual holders;

FIG. 4 is a front elevational view of the individual taco holders and the base with the taco holders removed—a rear elevational view would be a mirror image;

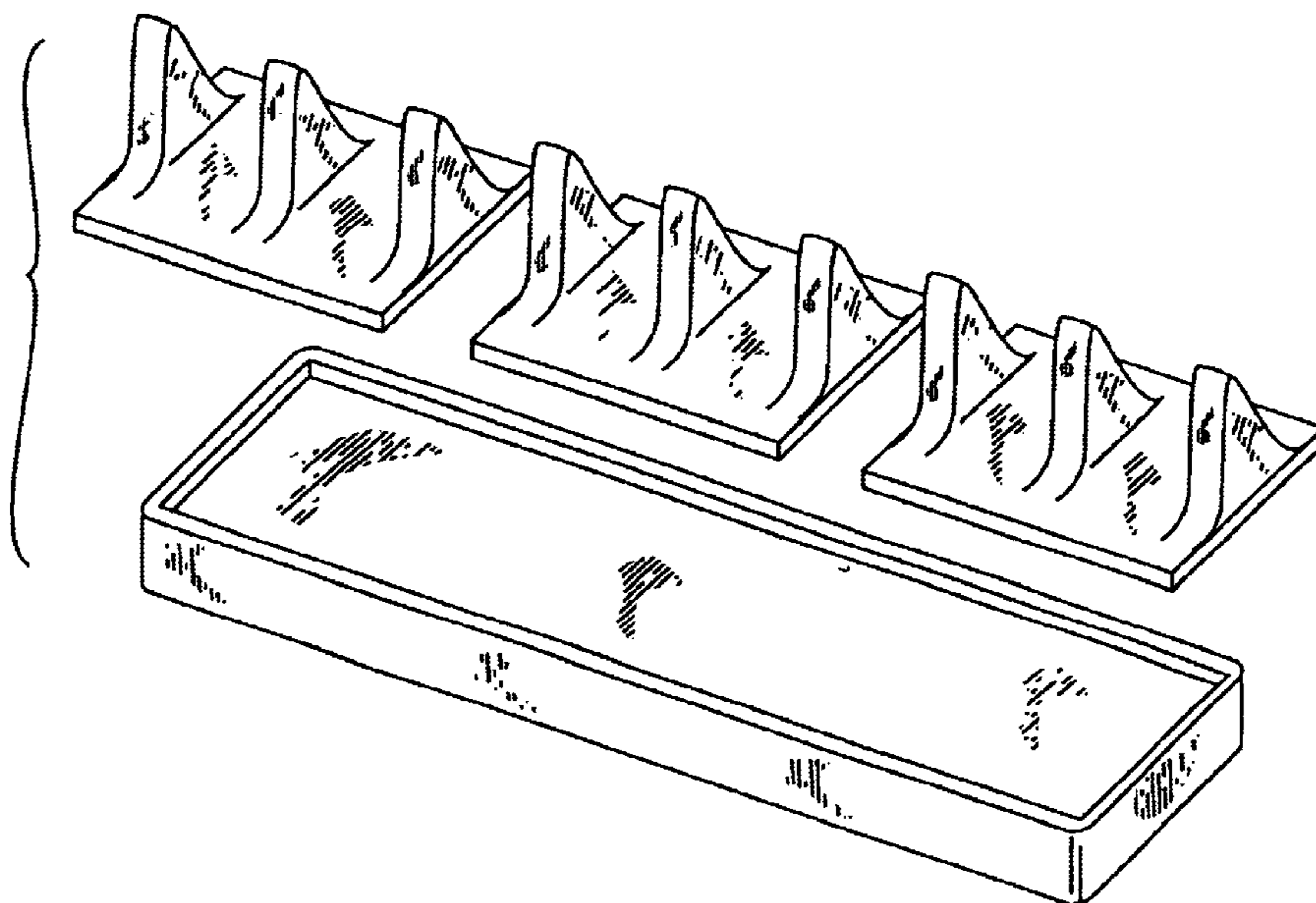
FIG. 5 is a right side elevational view of a taco holder and the base with the taco holders removed—a left side view would be a mirror image;

FIG. 6 is a top perspective view of the taco holders and the base from the front right showing taco holders removed—a top perspective view from the rear left would be a mirror image;

FIG. 7 is a left side elevational view of a taco holder showing the taco holder in place—a right side elevational view would be a mirror image; and,

FIG. 8 is a front right top perspective view of the base and taco holders showing taco holders in place—left rear top perspective view would be a mirror image of FIG. 8.

1 Claim, 4 Drawing Sheets



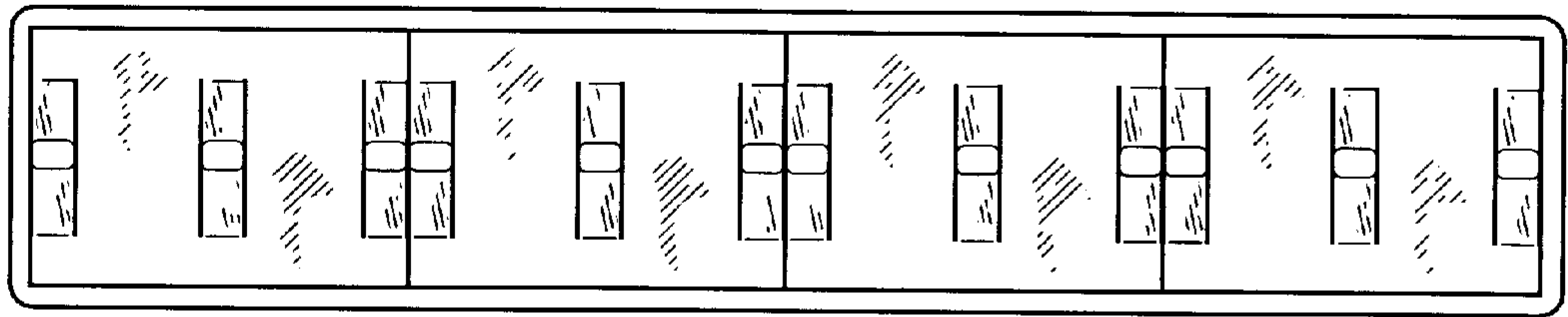


FIG. 1

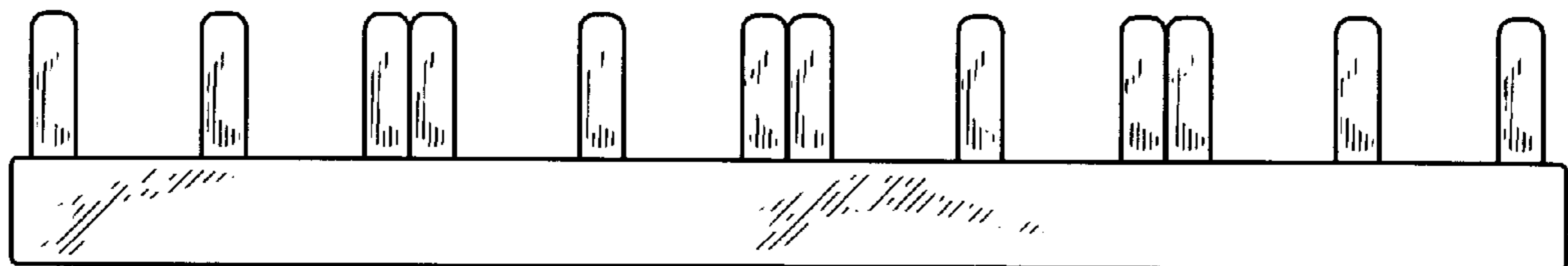


FIG. 2

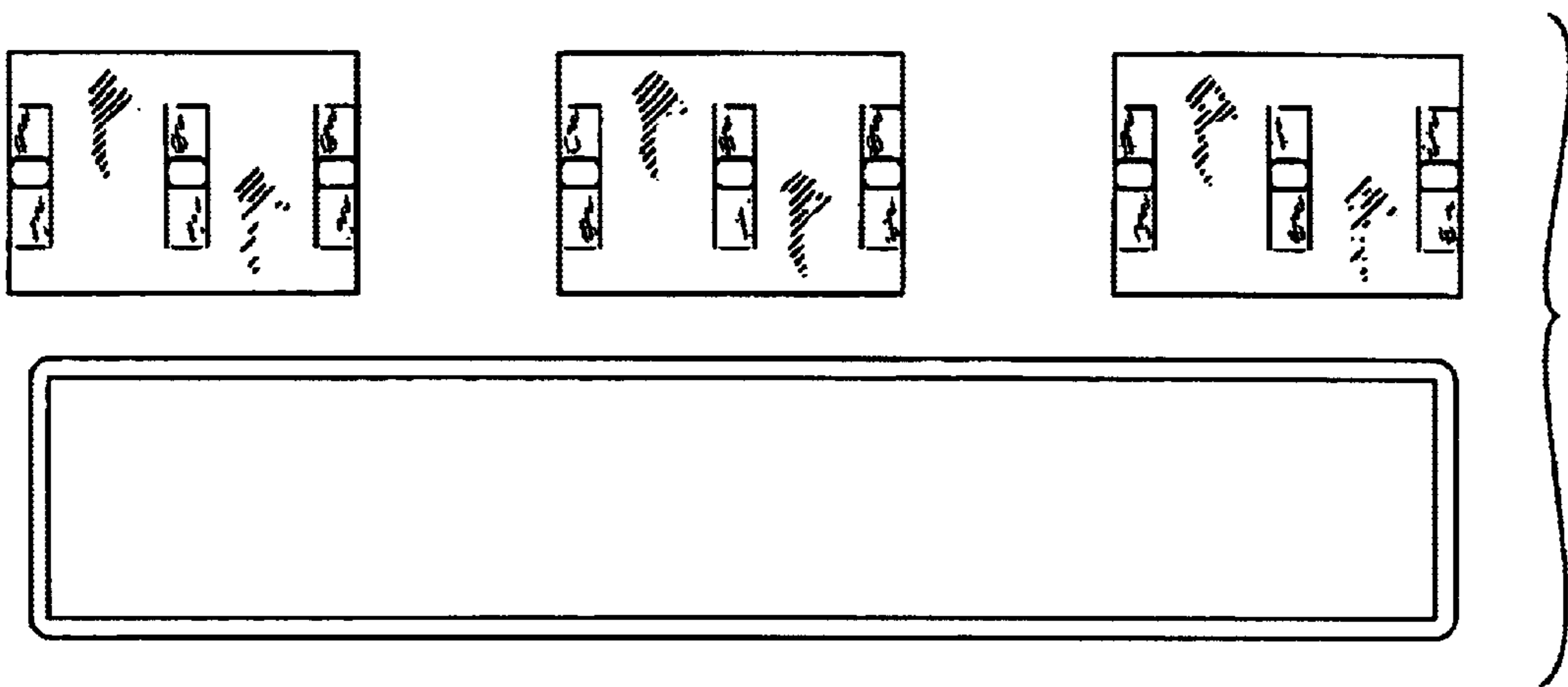


FIG. 3

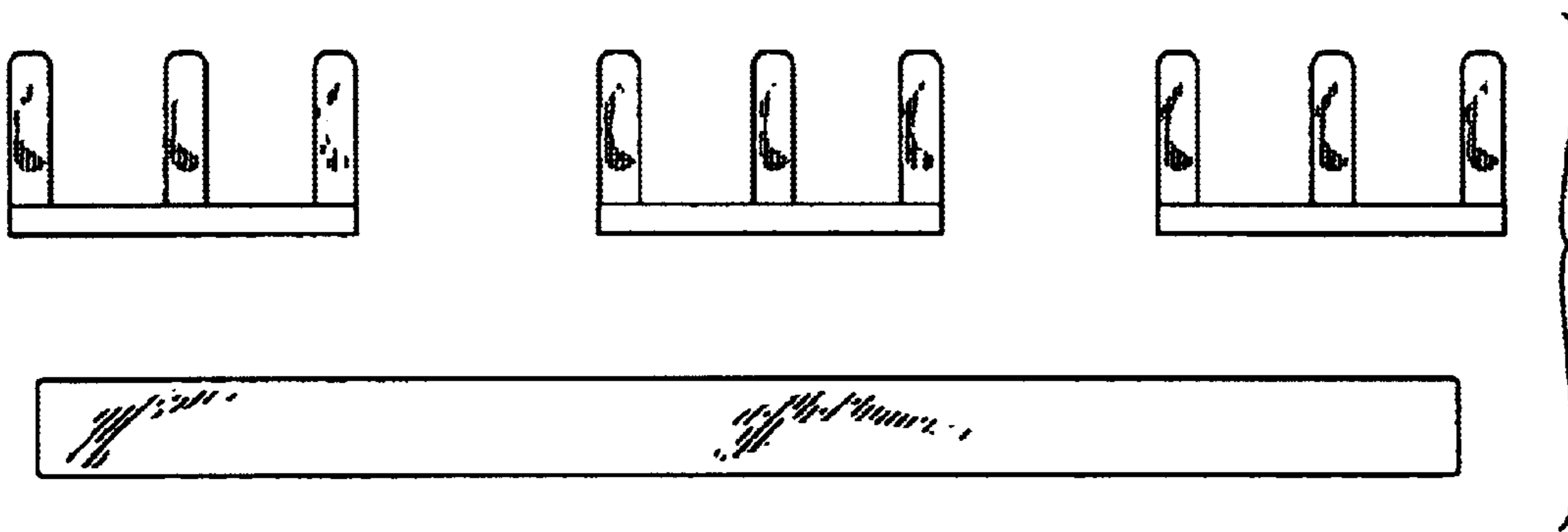


FIG. 4

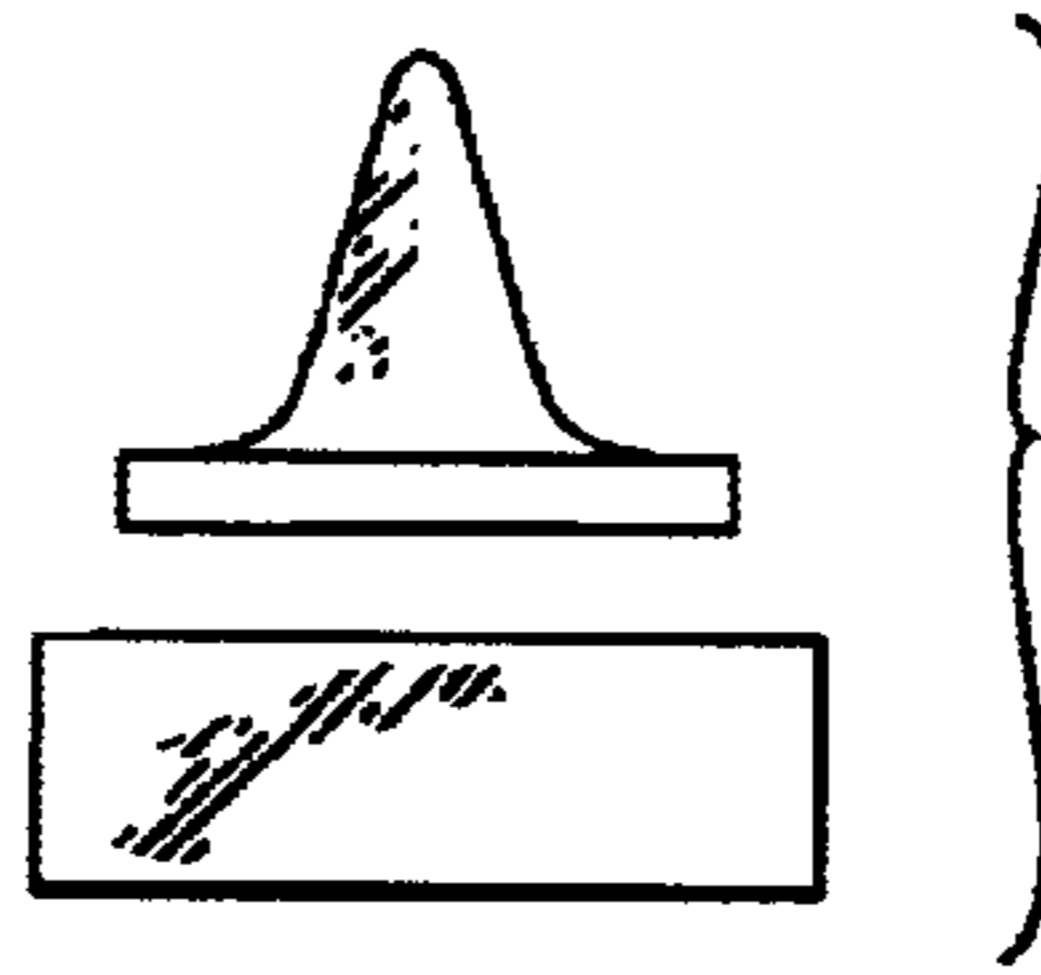


FIG. 5

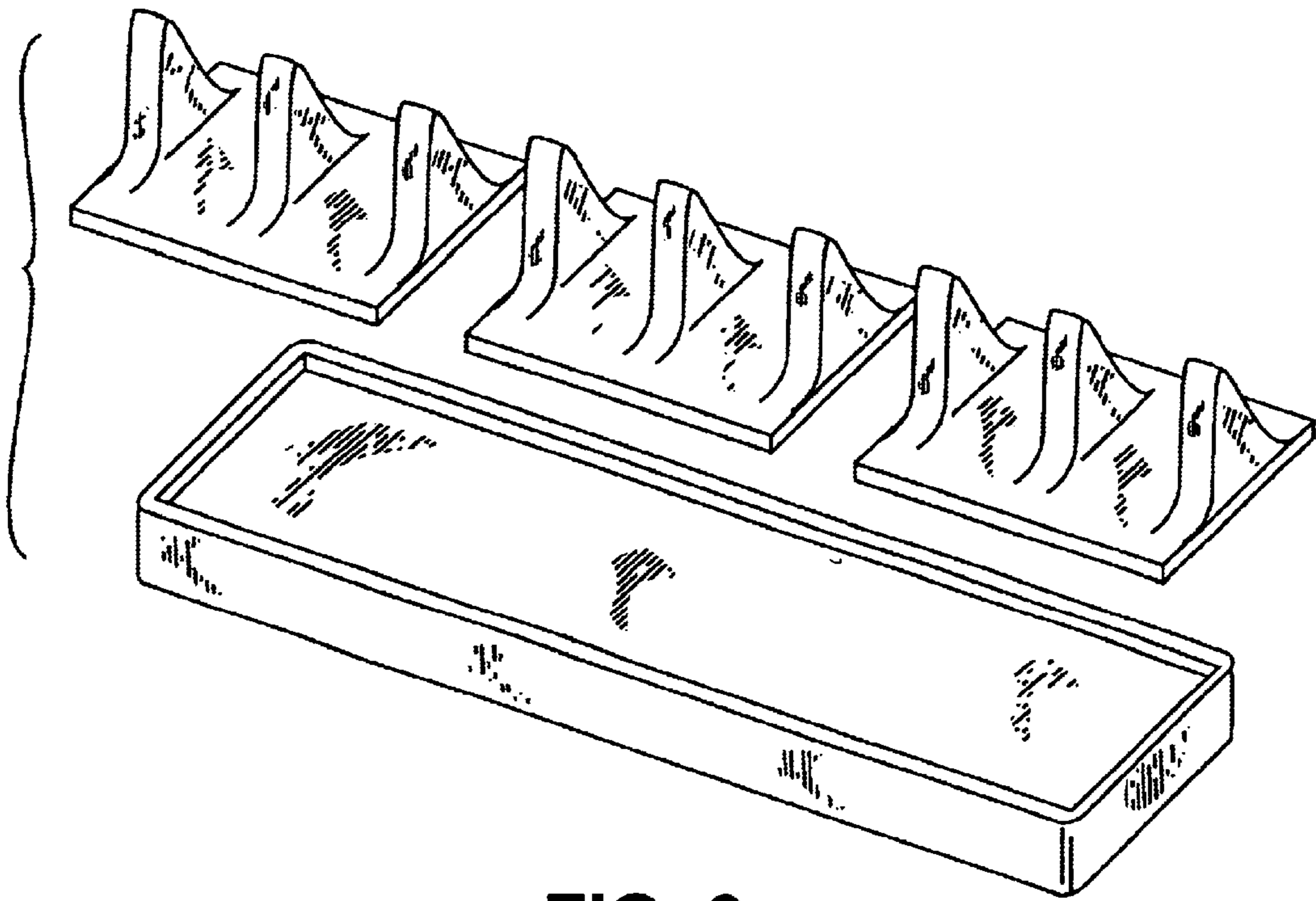


FIG. 6

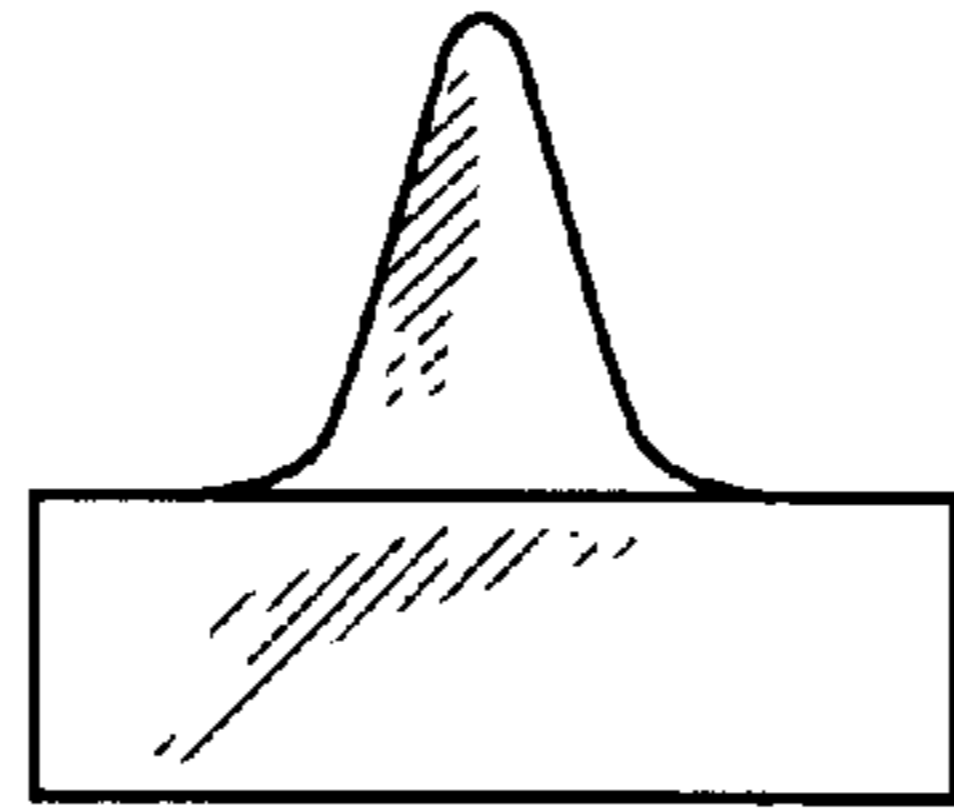


FIG. 7

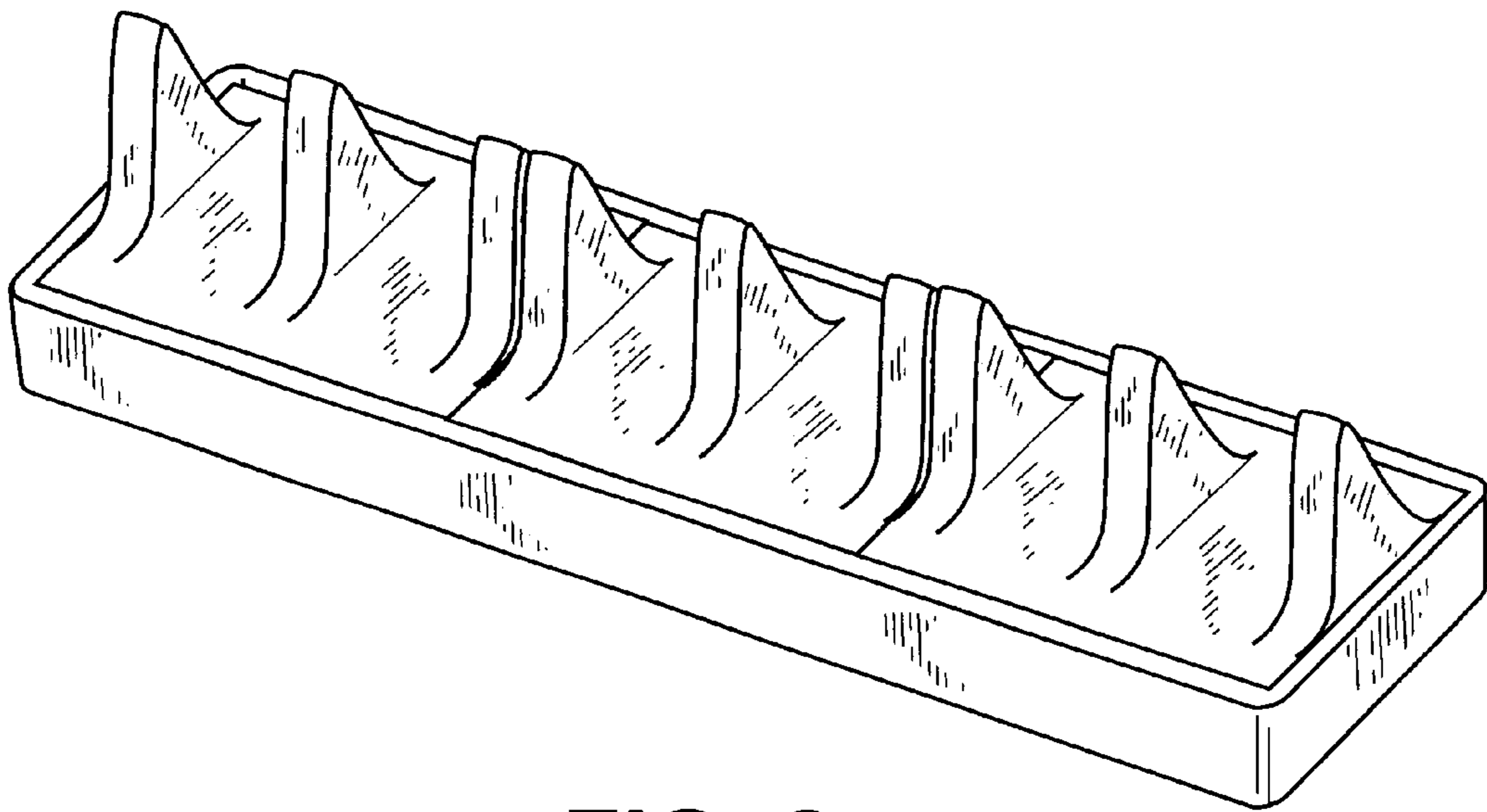


FIG. 8