



US00D489934S

(12) **United States Design Patent**
Sagawa et al.

(10) **Patent No.:** **US D489,934 S**

(45) **Date of Patent:** **** May 18, 2004**

(54) **MICROWAVE OVEN**
(75) Inventors: **Sou Sagawa**, Ota-ku (JP); **Takaharu Ando**, Ryugasaki (JP)

D334,688 S * 4/1993 Kitae et al. D7/351
D335,064 S * 4/1993 Sugiyama et al. D7/351
D477,964 S * 8/2003 Kanza D7/351
D481,582 S * 11/2003 Seum et al. D7/350.1

(73) Assignee: **Kabushiki Kaisha Toshiba** (JP)
(**) Term: **14 Years**

FOREIGN PATENT DOCUMENTS

JP 1151428 8/2002

* cited by examiner

(21) Appl. No.: **29/186,085**
(22) Filed: **Jul. 10, 2003**

Primary Examiner—Ruth McInroy

(74) *Attorney, Agent, or Firm*—Banner & Witcoff, Ltd.

(30) **Foreign Application Priority Data**

Mar. 24, 2003 (JP) 2003-007757

(57) **CLAIM**

The ornamental design for a microwave oven, as shown and described.

(51) **LOC (7) Cl.** **07-02**
(52) **U.S. Cl.** **D7/351**
(58) **Field of Search** D7/350.1, 350.2, D7/350.3, 350.4, 351, 354–355, 360, 387, 392, 402–403, 629; 219/678, 756, 757, 758, 438, 440; 99/327, 403; 126/275 E

DESCRIPTION

FIG. 1 is a top, front and right side perspective view of a microwave oven showing our new design;
FIG. 2 is a front elevational view thereof;
FIG. 3 is a rear elevational view thereof;
FIG. 4 is a left side elevational view thereof;
FIG. 5 is a right side elevational view thereof;
FIG. 6 is a top plan view thereof; and,
FIG. 7 is a bottom plan view thereof.

(56) **References Cited**

U.S. PATENT DOCUMENTS

D303,063 S * 8/1989 Satake D7/351
D330,307 S * 10/1992 Yu D7/351

1 Claim, 4 Drawing Sheets

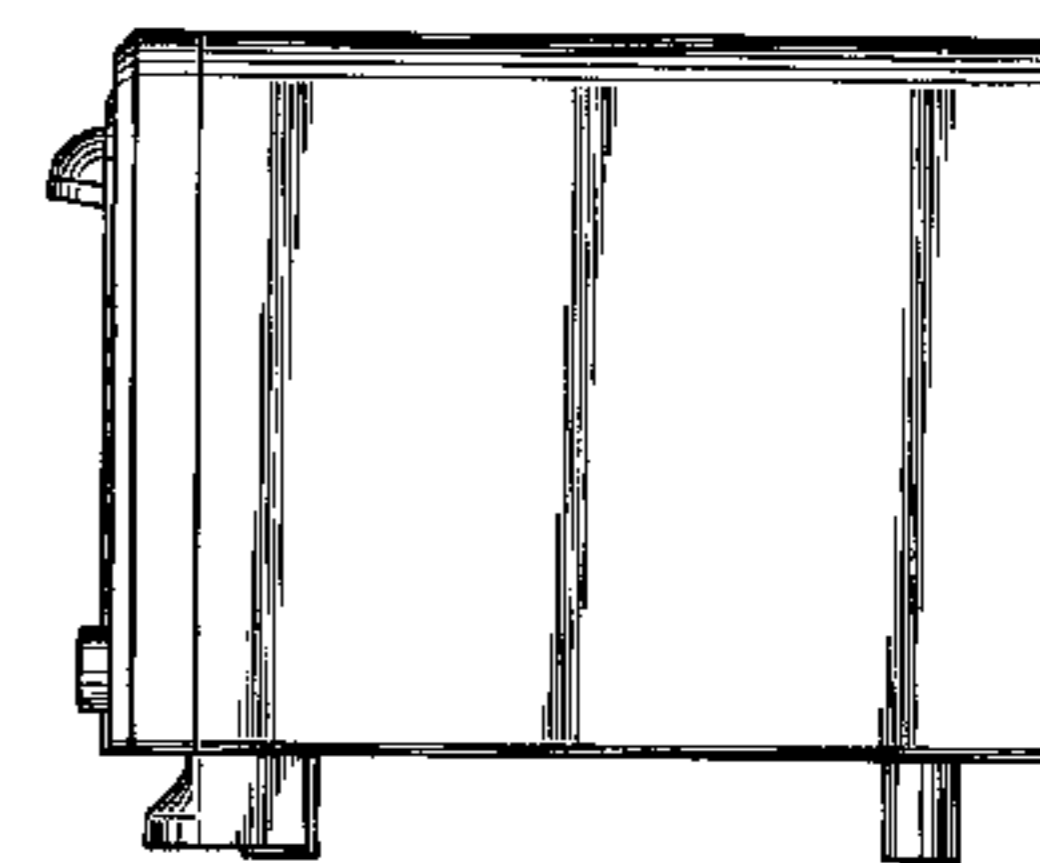
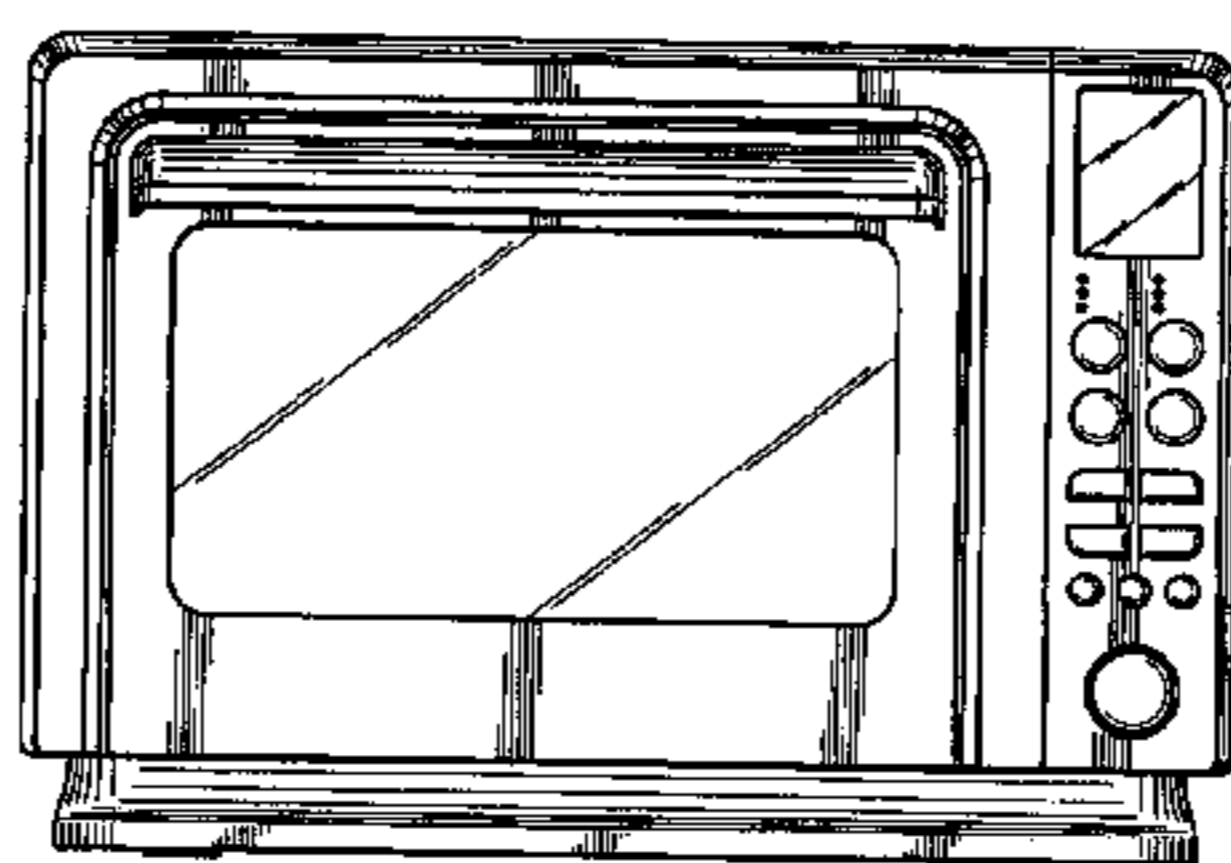
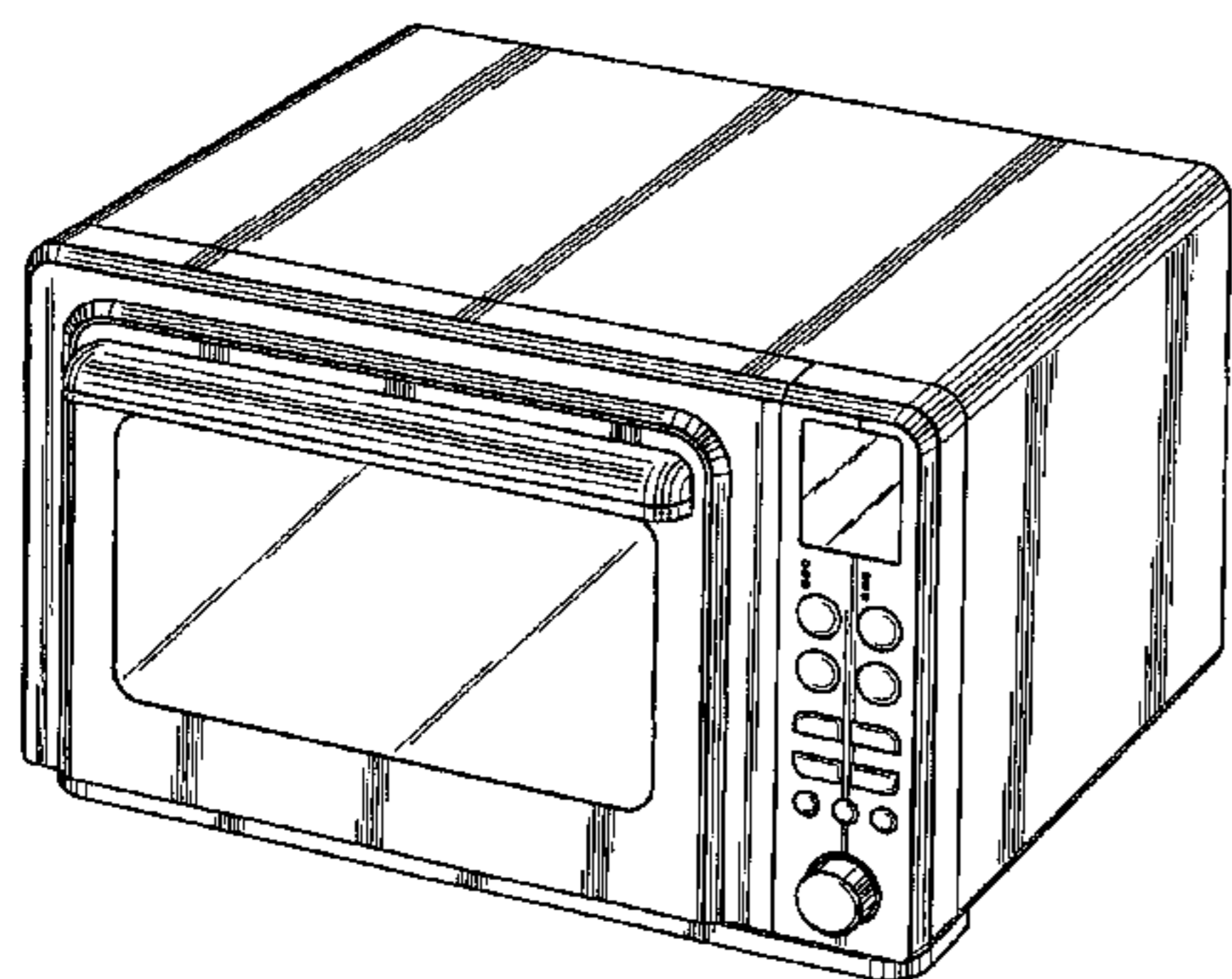


FIG. 1

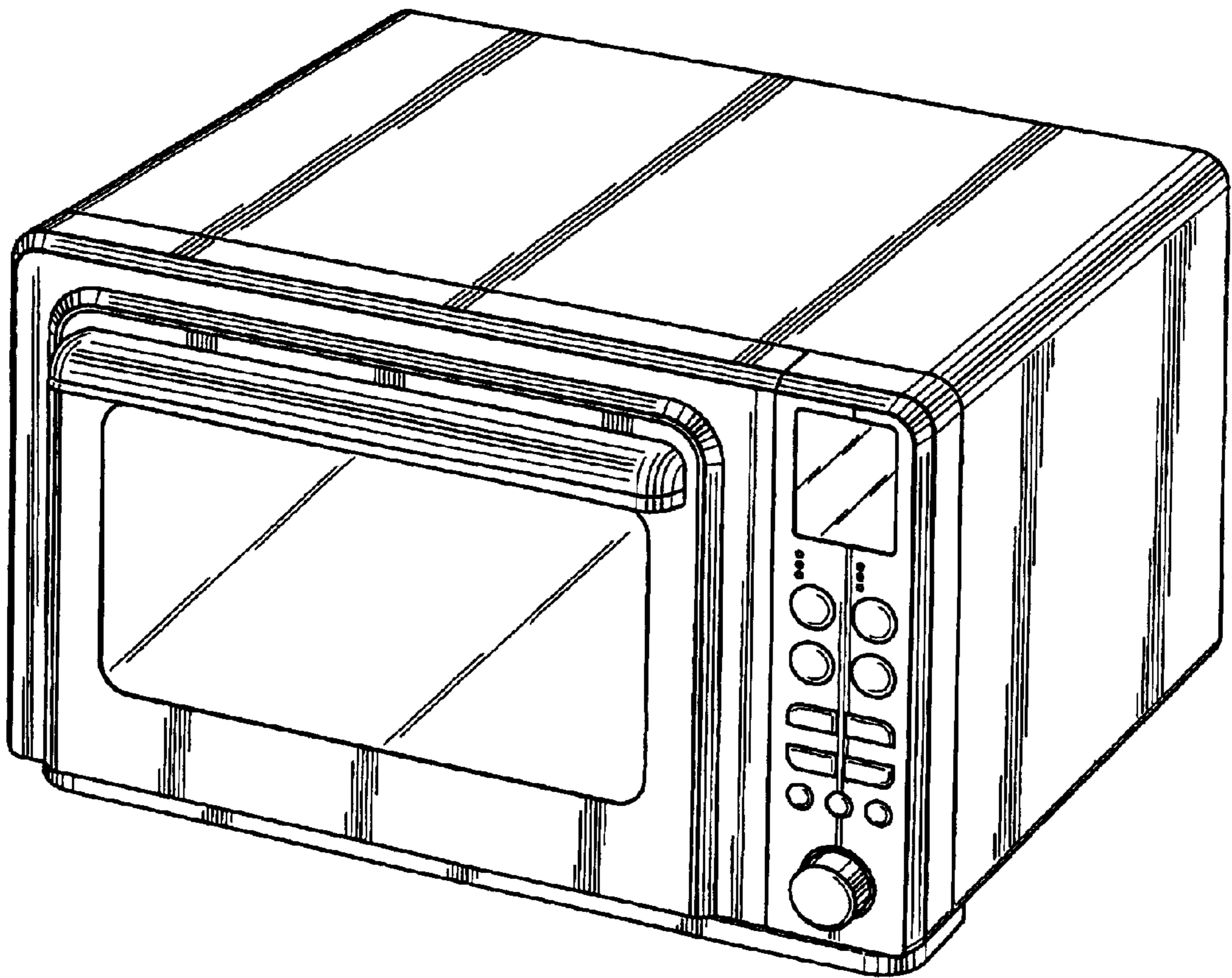


FIG. 2

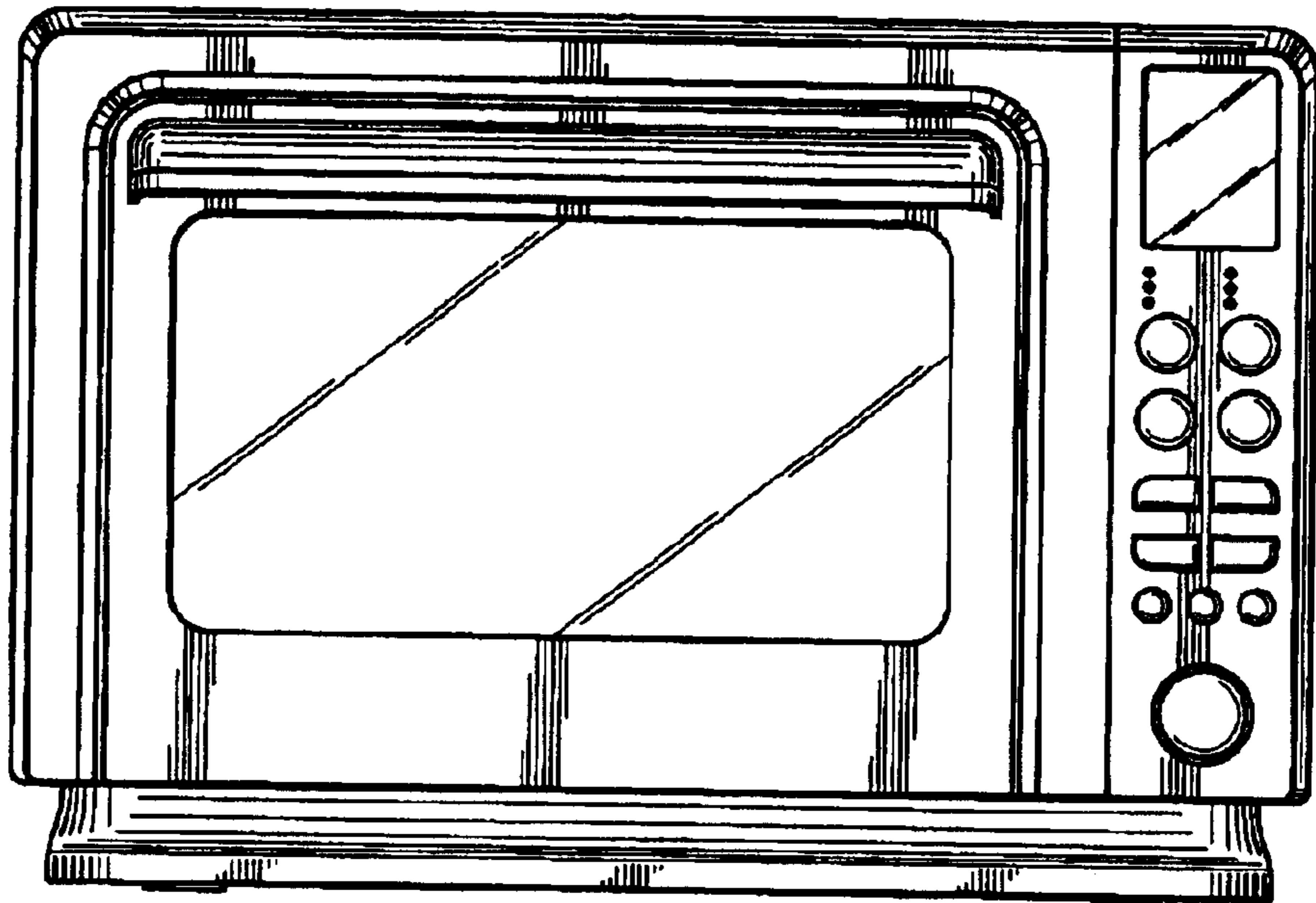


FIG. 3

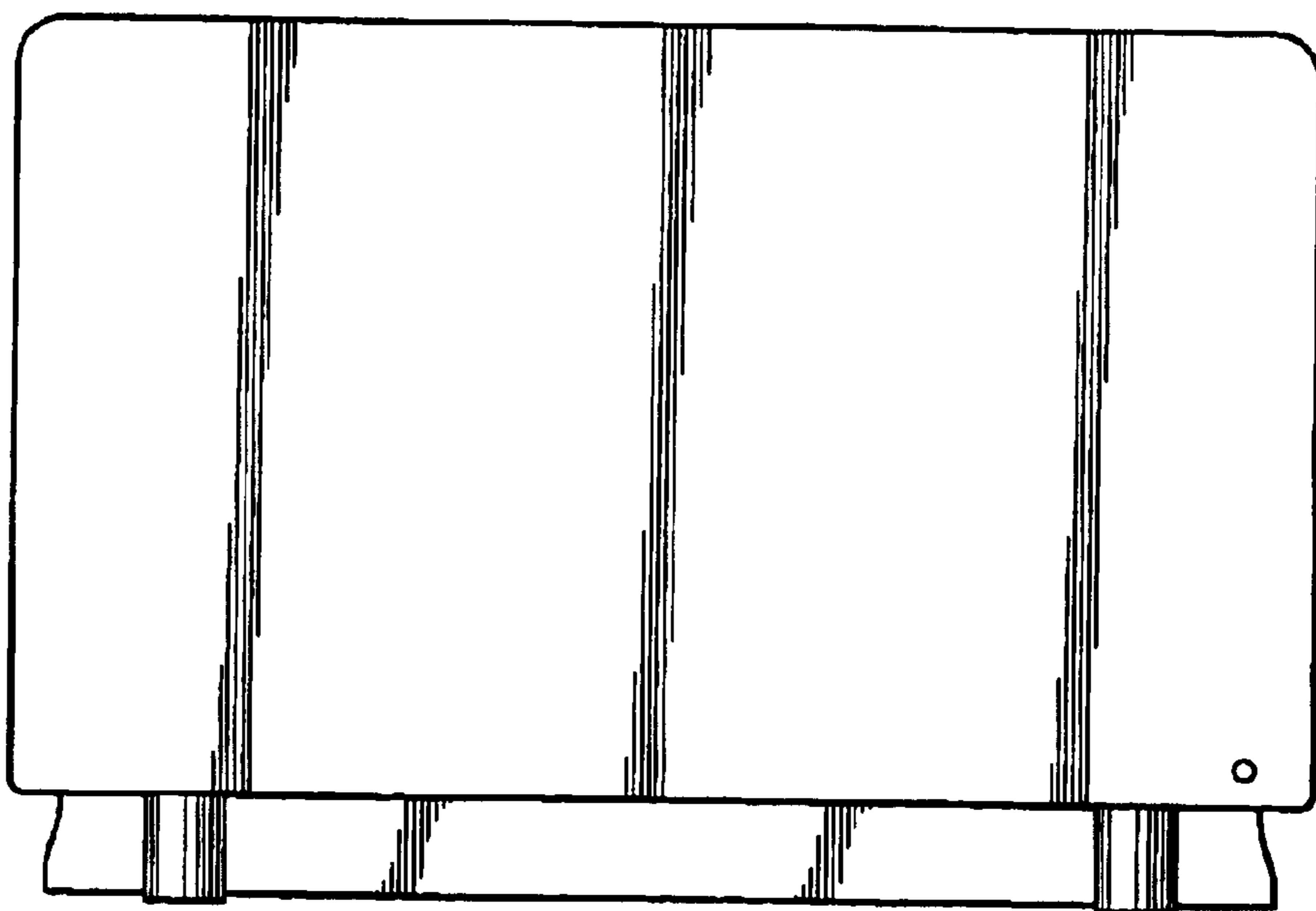


FIG. 4

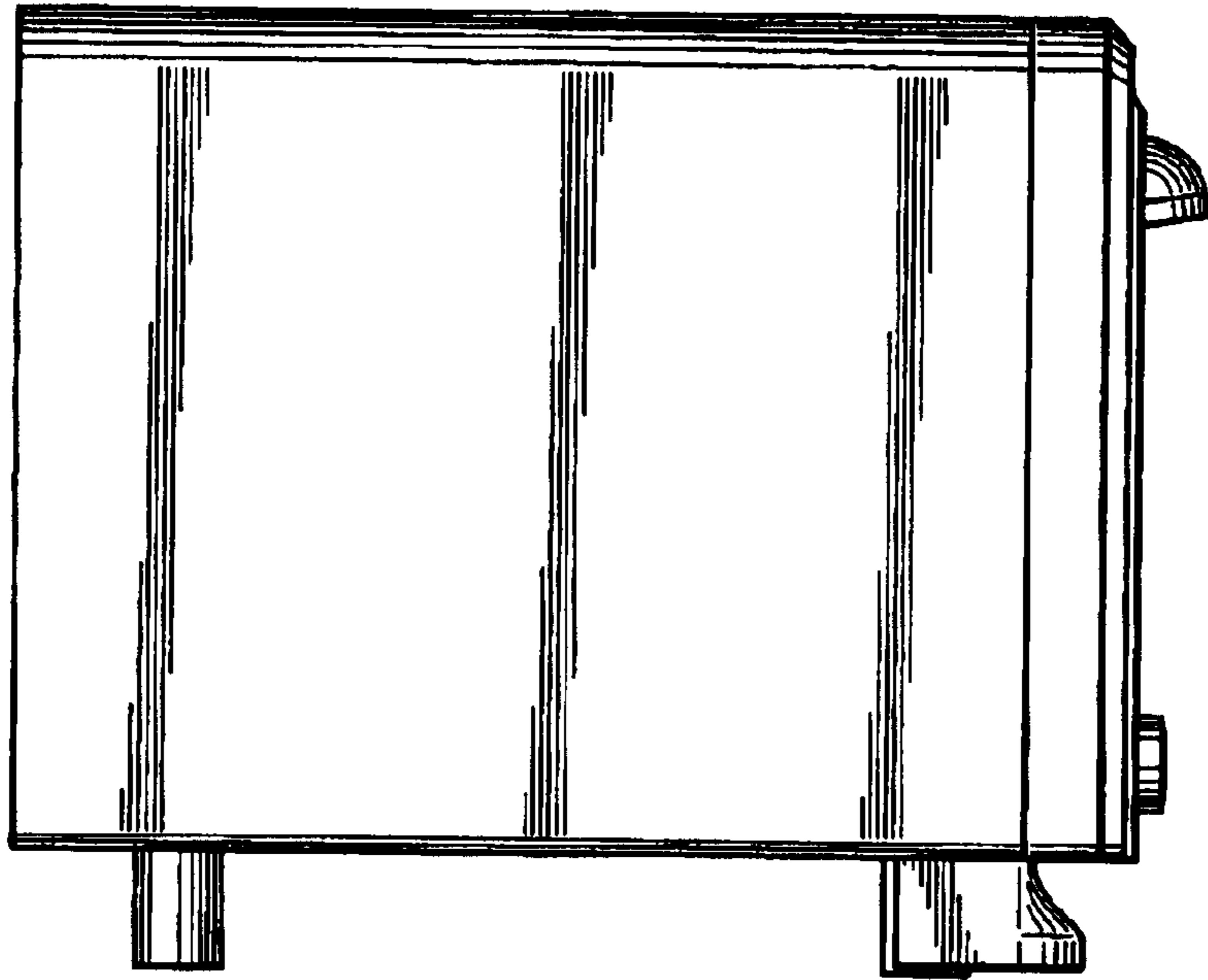


FIG. 5

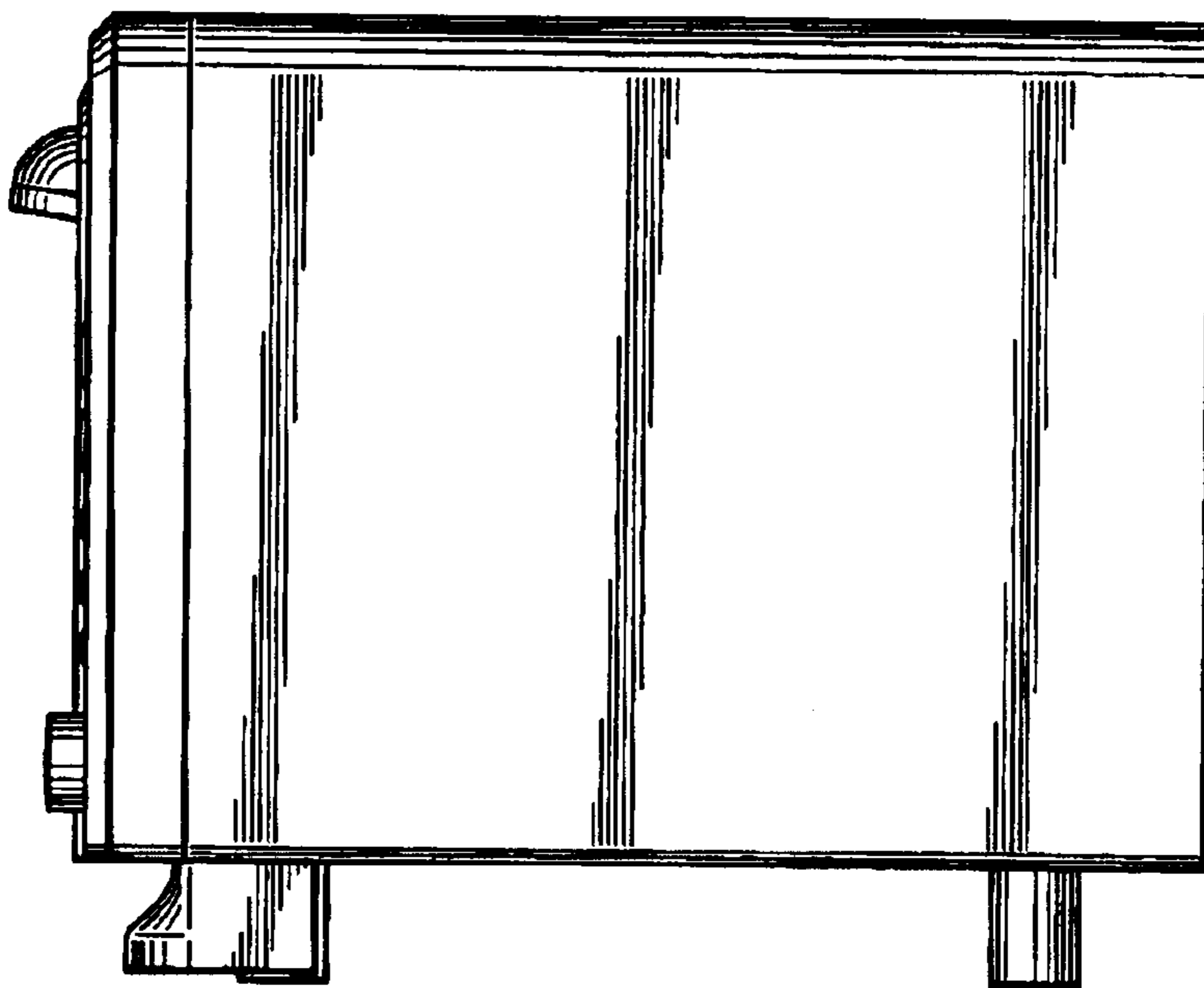


FIG. 6

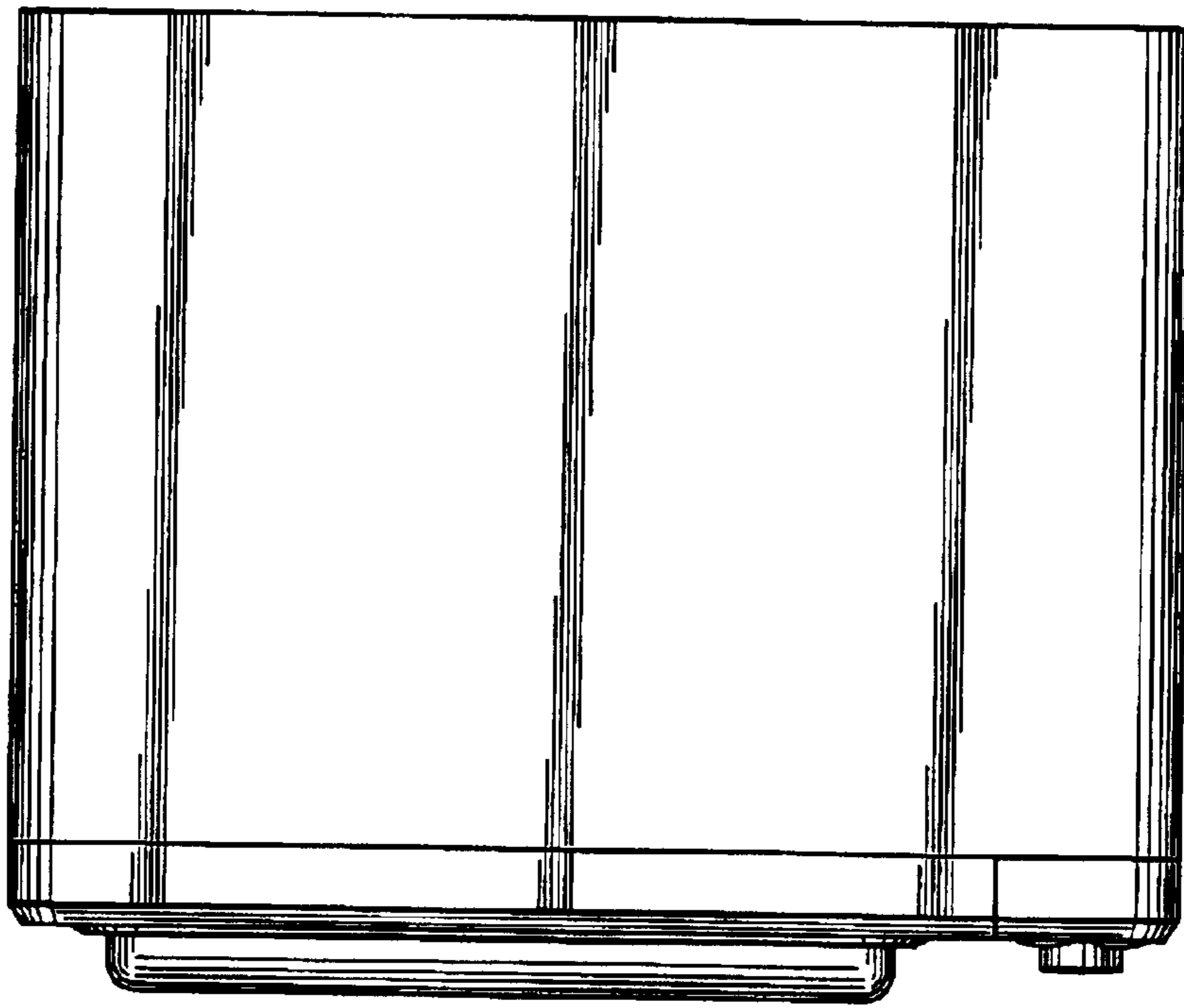


FIG. 7

