



US00D489932S

(12) **United States Design Patent**
Picozza et al.

(10) **Patent No.:** **US D489,932 S**

(45) **Date of Patent:** **** May 18, 2004**

(54) **COFFEEMAKER**

(75) Inventors: **Augusto Picozza**, Boca Raton, FL
(US); **Christian O'Connor**, Weston, FL
(US)

(73) Assignee: **Sunbeam Products, Inc.**, Boca Raton,
FL (US)

(**) Term: **14 Years**

(21) Appl. No.: **29/176,394**

(22) Filed: **Feb. 21, 2003**

(51) **LOC (7) Cl.** **07-01**

(52) **U.S. Cl.** **D7/313; D7/306**

(58) **Field of Search** D7/306, 312, 313;
D20/1, 205; D34/39; D9/325; 222/183,
131, 146.6; 215/398; 220/592.19; 62/125

(56) **References Cited**

U.S. PATENT DOCUMENTS

- D192,177 S * 2/1962 Krause D7/313
- D192,529 S * 4/1962 Painter D7/313
- D199,407 S * 10/1964 Ernest D7/313
- D199,408 S * 10/1964 Felske D7/313

- D200,655 S * 3/1965 De Fano D7/313
- D200,755 S * 4/1965 SeBastian D20/1
- 3,910,461 A * 10/1975 Eager 222/131
- D244,929 S * 7/1977 Armstrong D7/313
- D356,713 S * 3/1995 Groover D7/306
- D358,289 S * 5/1995 Thies et al. D7/306
- D478,460 S * 8/2003 Chiu D7/306

* cited by examiner

Primary Examiner—M. N. Pandozzi

(74) *Attorney, Agent, or Firm*—Lawrence J. Shurupoff

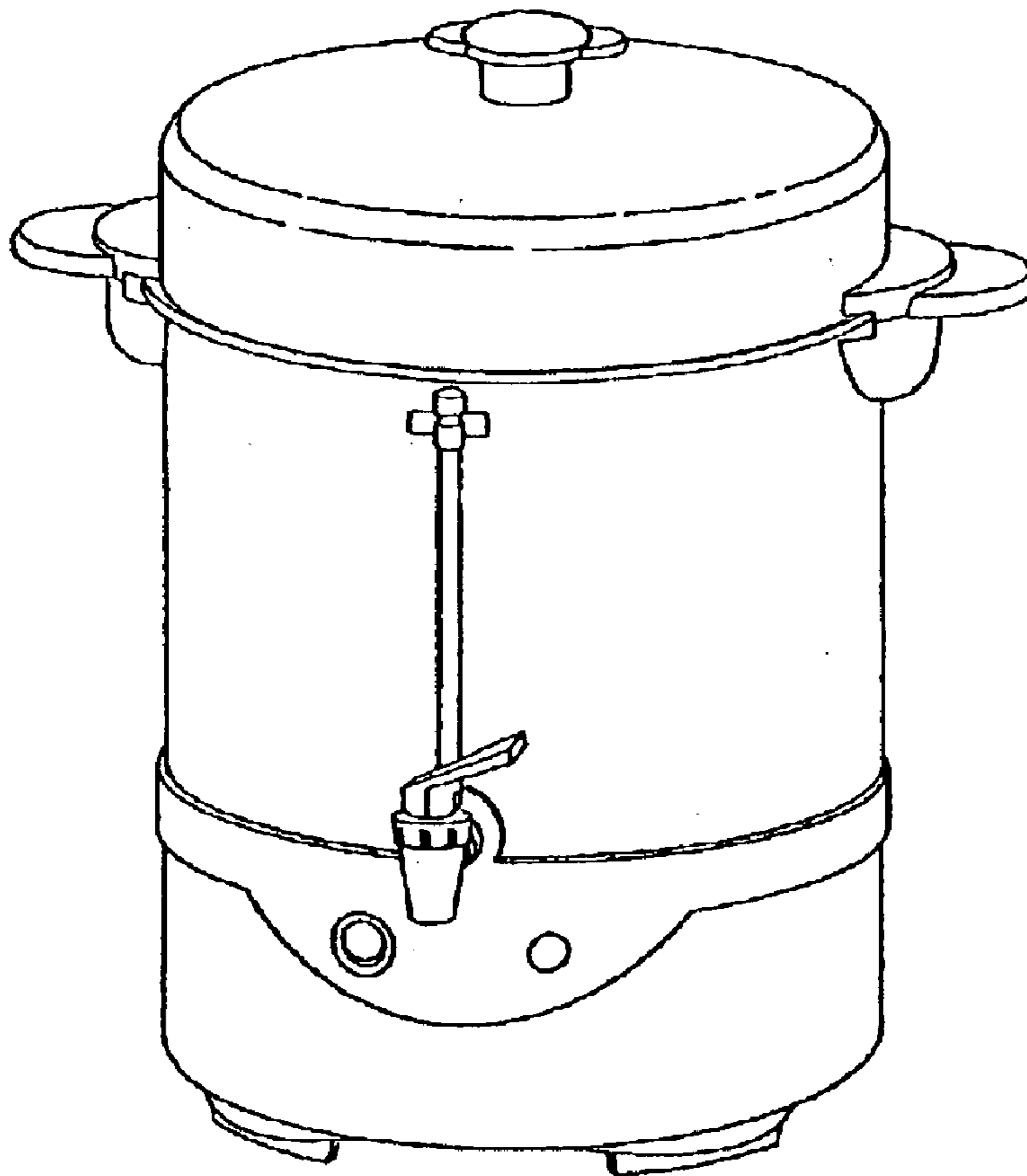
(57) **CLAIM**

The ornamental design for a coffeemaker, as shown and described.

DESCRIPTION

FIG. 1 is a front right top perspective view of the coffee-maker showing the new design;
 FIG. 2 is a left side elevational view thereof;
 FIG. 3 is a front elevational view thereof;
 FIG. 4 is a right elevational view thereof;
 FIG. 5 is a rear elevational view thereof;
 FIG. 6 is a top plan view thereof; and,
 FIG. 7 is a bottom plan view thereof.

1 Claim, 3 Drawing Sheets



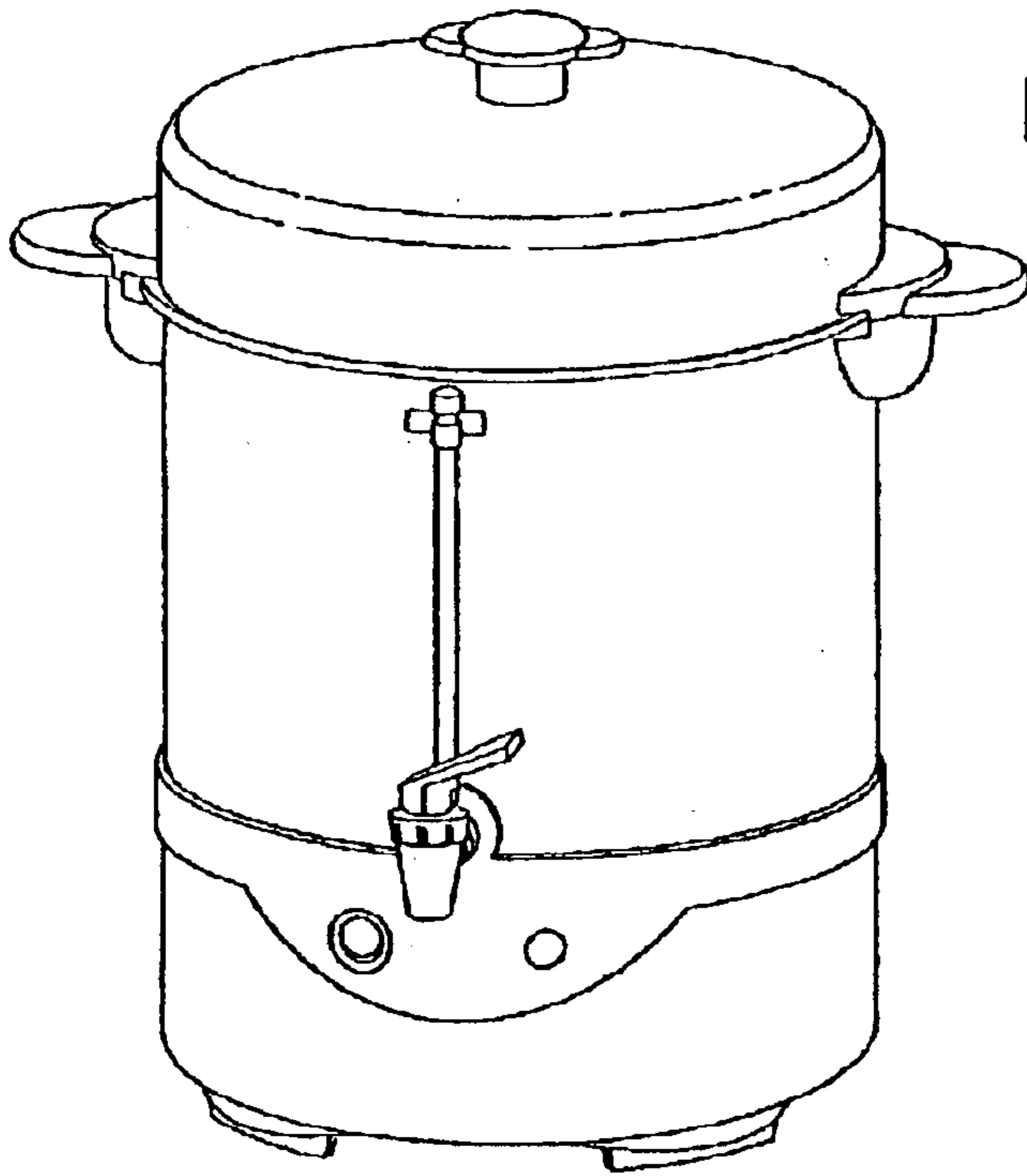


FIG 1

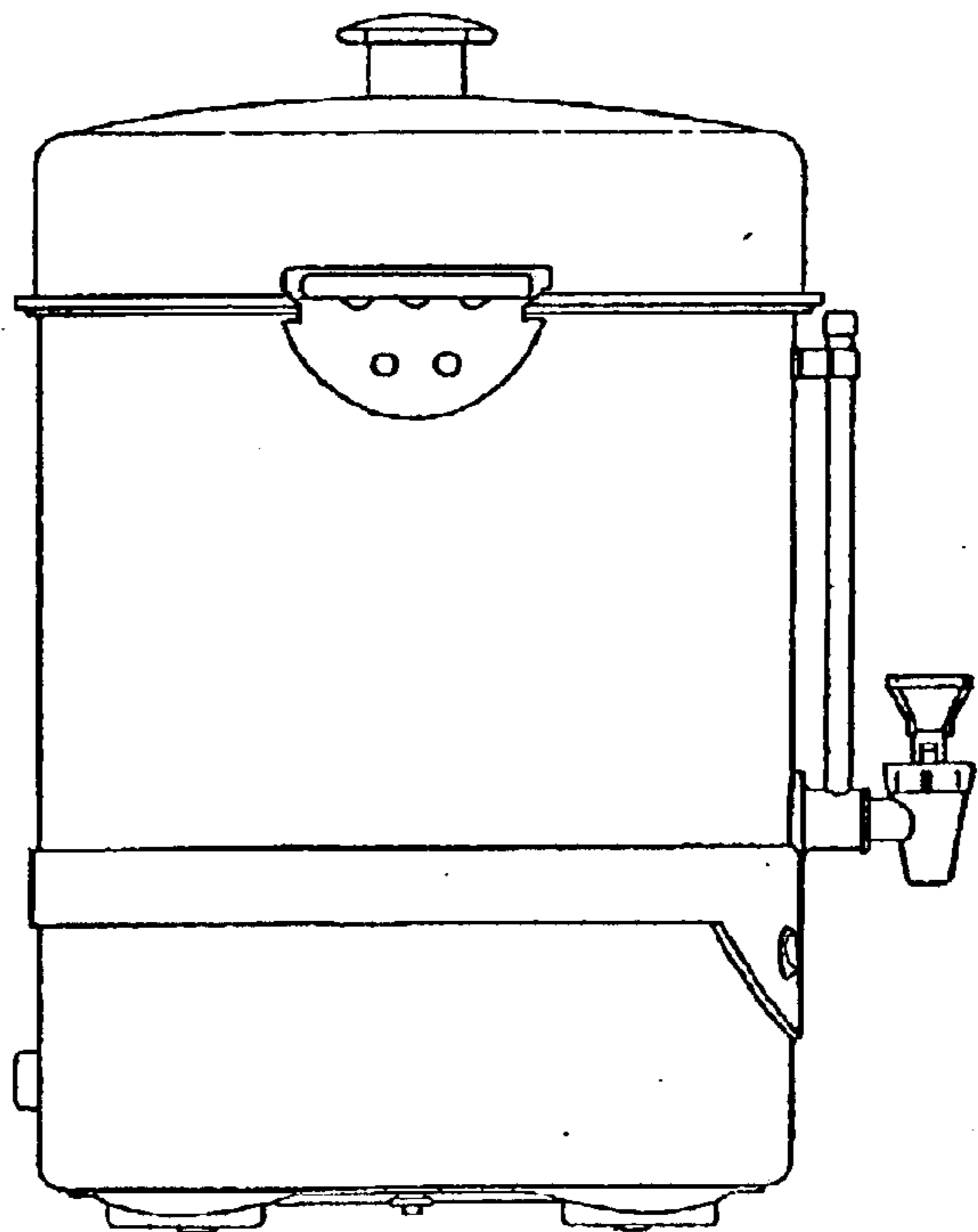


FIG 2

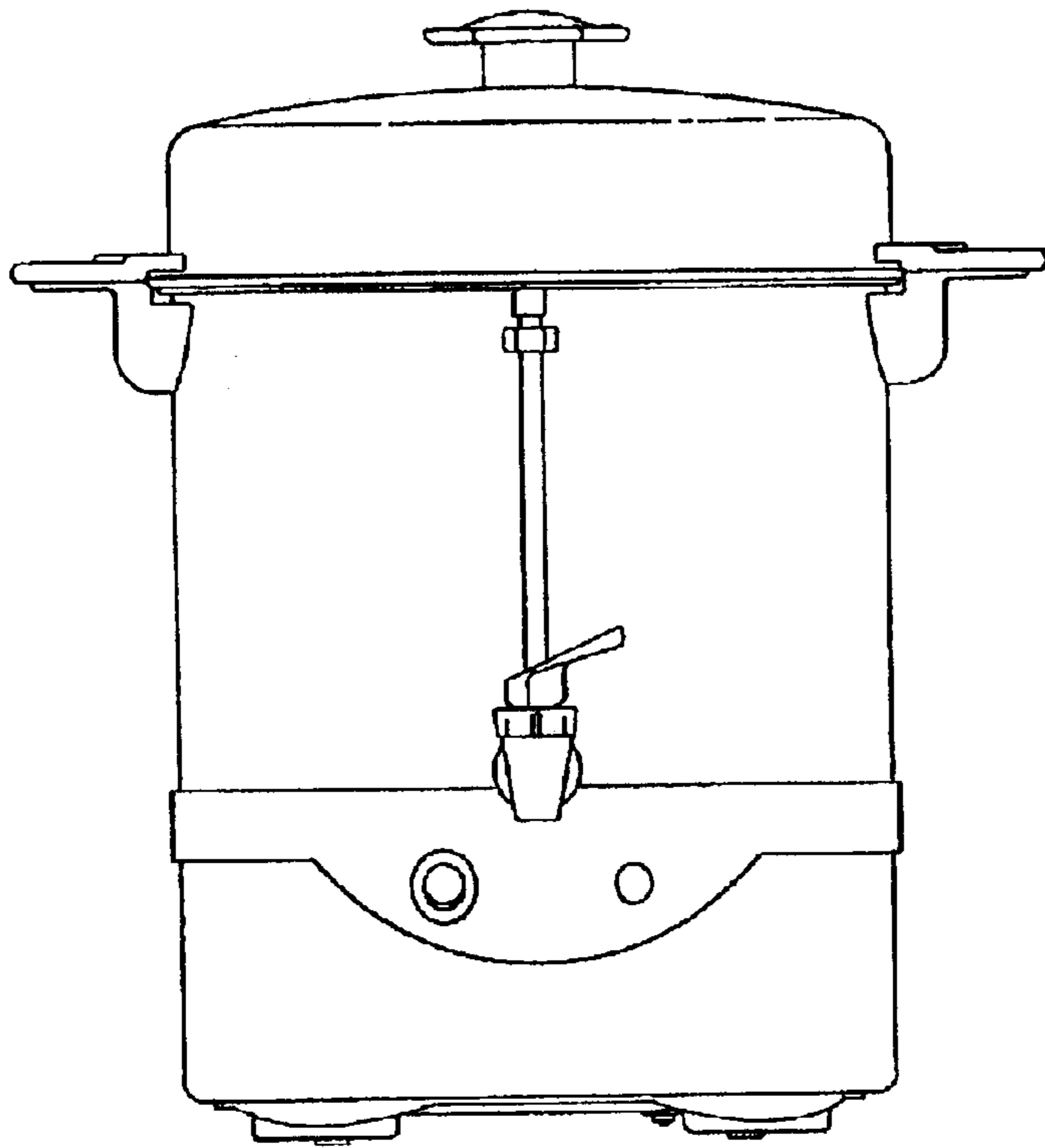


FIG 3

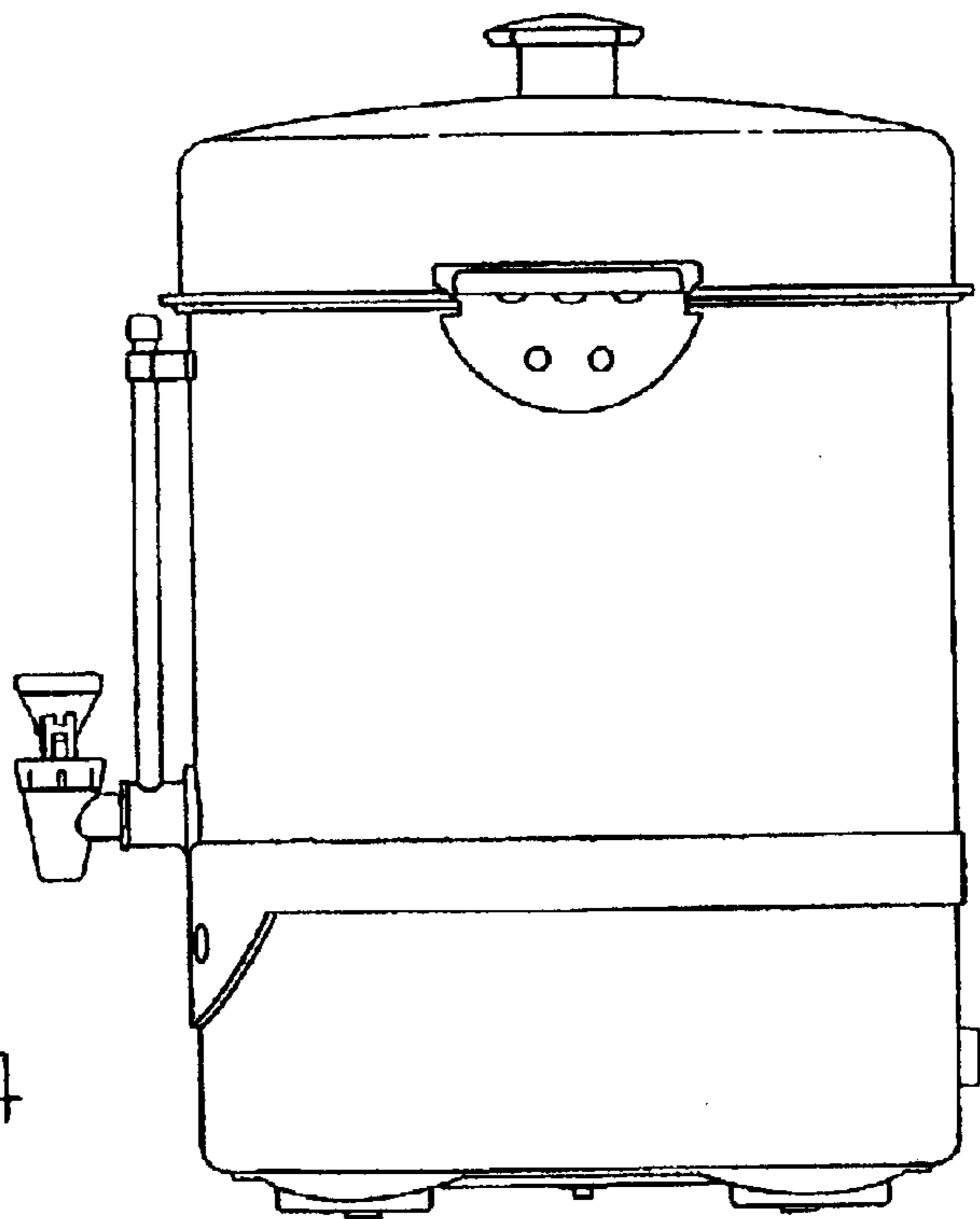


FIG 4

FIG 5

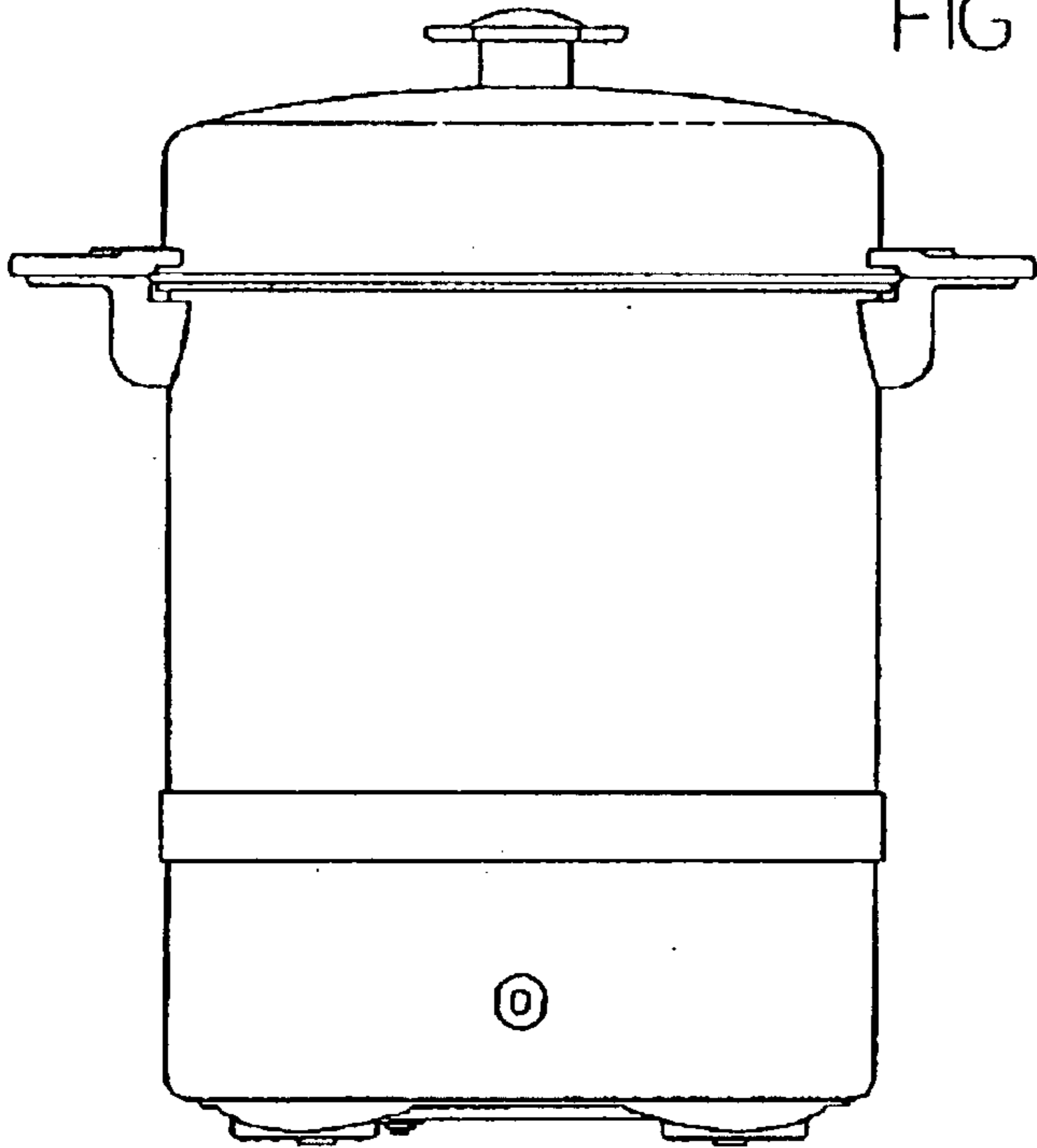


FIG. 6

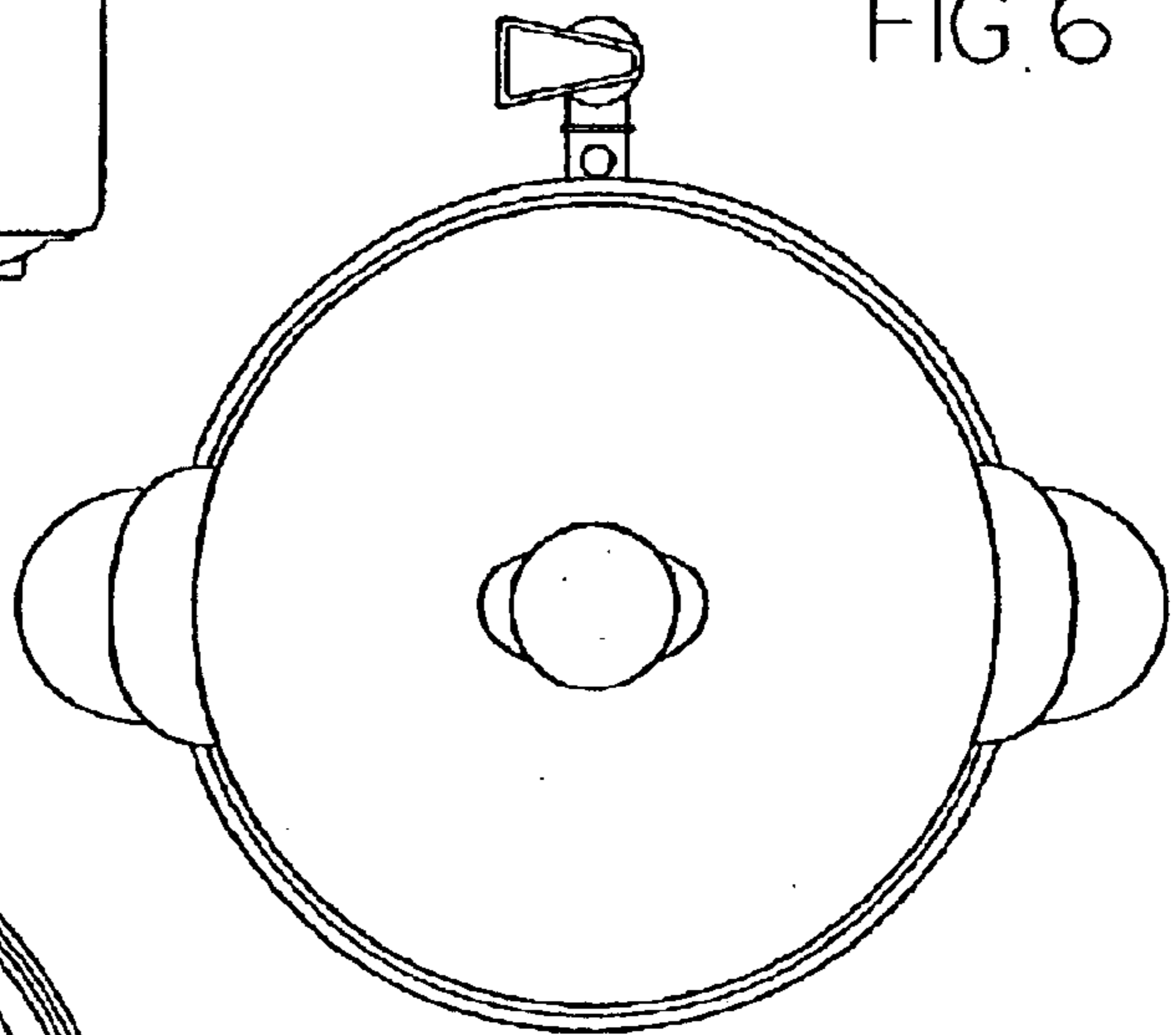


FIG 7

