



US00D489930S

(12) **United States Design Patent**
Tse

(10) **Patent No.:** **US D489,930 S**

(45) **Date of Patent:** **** May 18, 2004**

(54) **JUICE DISPENSER**

(75) Inventor: **Shu Tse, Kowloon (CN)**

(73) Assignee: **Chekiang Metalware Factory
Company Limited, Kowloon (HK)**

(**) Term: **14 Years**

(21) Appl. No.: **29/188,679**

(22) Filed: **Aug. 21, 2003**

(30) **Foreign Application Priority Data**

Mar. 3, 2003 (HK) 0310333

(51) **LOC (7) Cl.** **07-01**

(52) **U.S. Cl.** **D7/306; D7/313**

(58) **Field of Search** D7/300, 306, 307,
D7/308, 311, 312, 313; 222/183, 129.1,
185.1, 30; 273/144 A, 138.1; 220/23.87;
215/6

(56) **References Cited**

U.S. PATENT DOCUMENTS

711,020 A * 10/1902 Tatum 215/6
D157,383 S * 2/1950 Law et al. D7/313
3,355,068 A * 11/1967 Harland 222/30
D258,658 S * 3/1981 Hill D7/306

D356,713 S * 3/1995 Groover D7/306
D419,362 S * 1/2000 Bouhuys D7/306
D431,145 S * 9/2000 Woebcke et al. D7/306
D440,458 S * 4/2001 Ohu D7/306
D442,009 S * 5/2001 Schwarzli D7/306
D443,792 S * 6/2001 Peters et al. D7/306
D464,226 S * 10/2002 Lassota et al. D7/306
D478,460 S * 8/2003 Chiu D7/306

* cited by examiner

Primary Examiner—M. N. Pandozzi

(74) *Attorney, Agent, or Firm*—Alix, Yale & Ristas, LLP

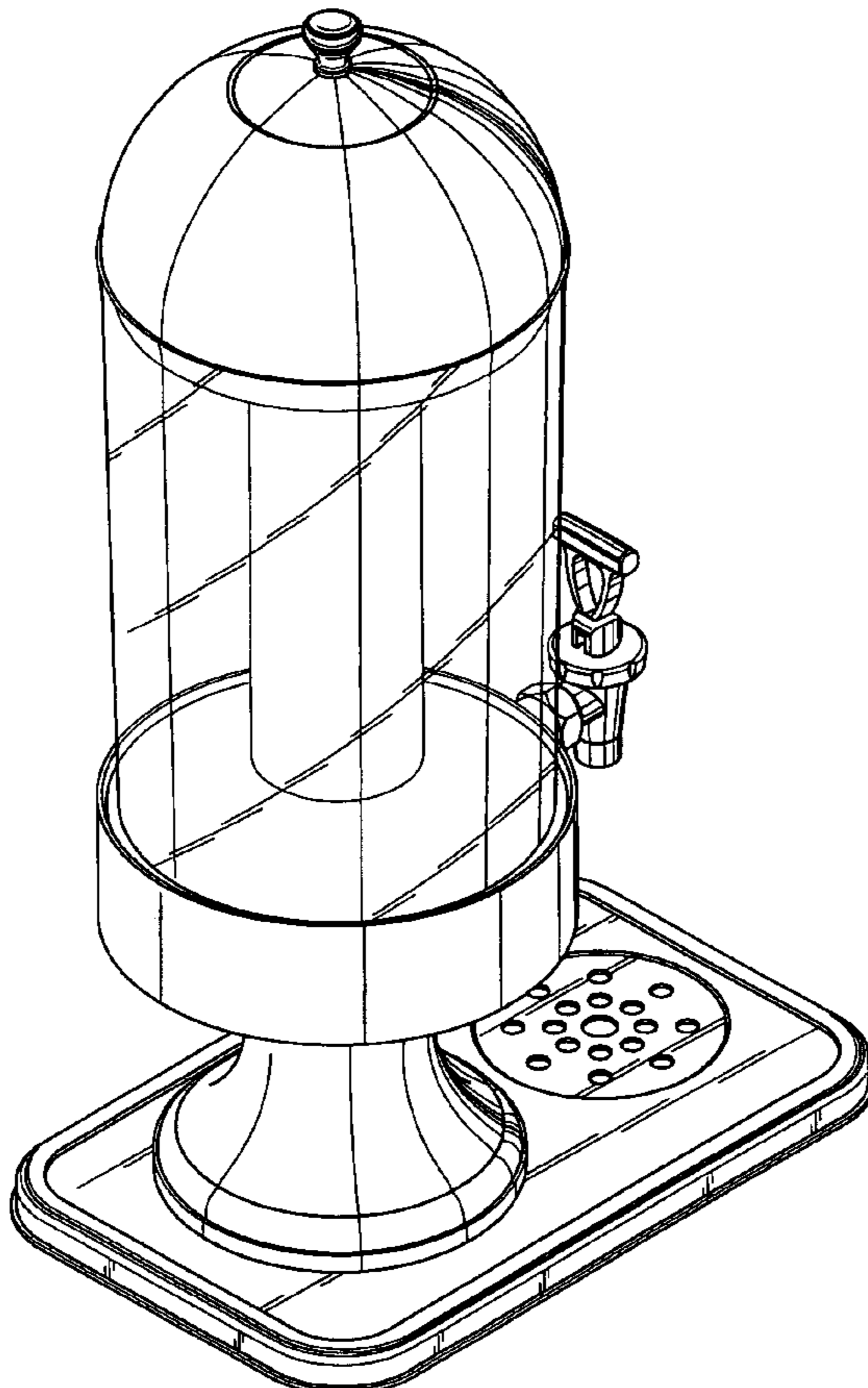
(57) **CLAIM**

The ornamental design for a juice dispenser, as shown and described.

DESCRIPTION

FIG. 1 is a front perspective view of a juice dispenser showing my new design;
FIG. 2 is a front elevational view thereof;
FIG. 3 is a rear elevational view thereof;
FIG. 4 is a left side elevational view thereof;
FIG. 5 is a right side elevational view thereof;
FIG. 6 is a top plan view thereof; and,
FIG. 7 is a bottom plan view thereof.

1 Claim, 7 Drawing Sheets



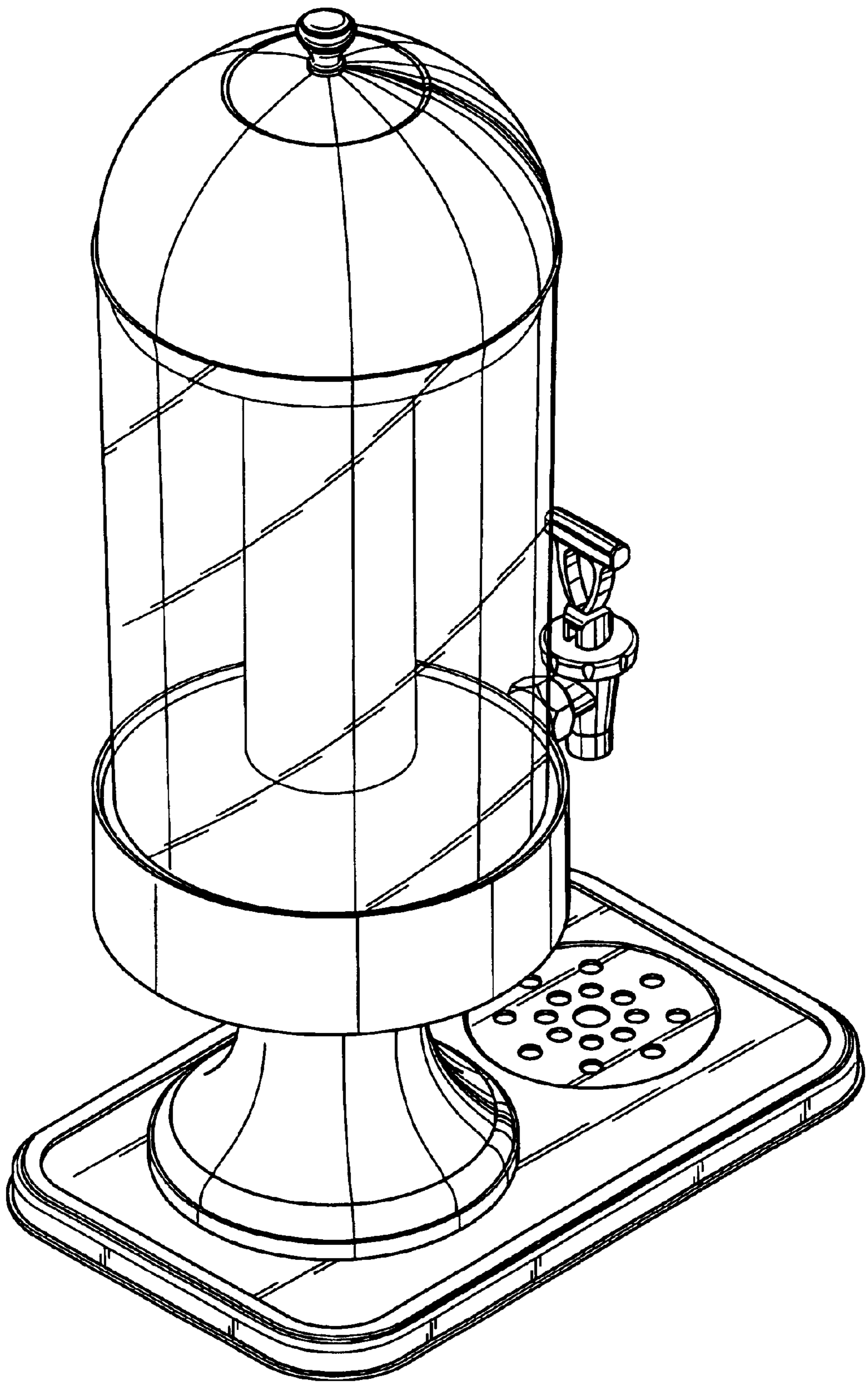


FIG. 1

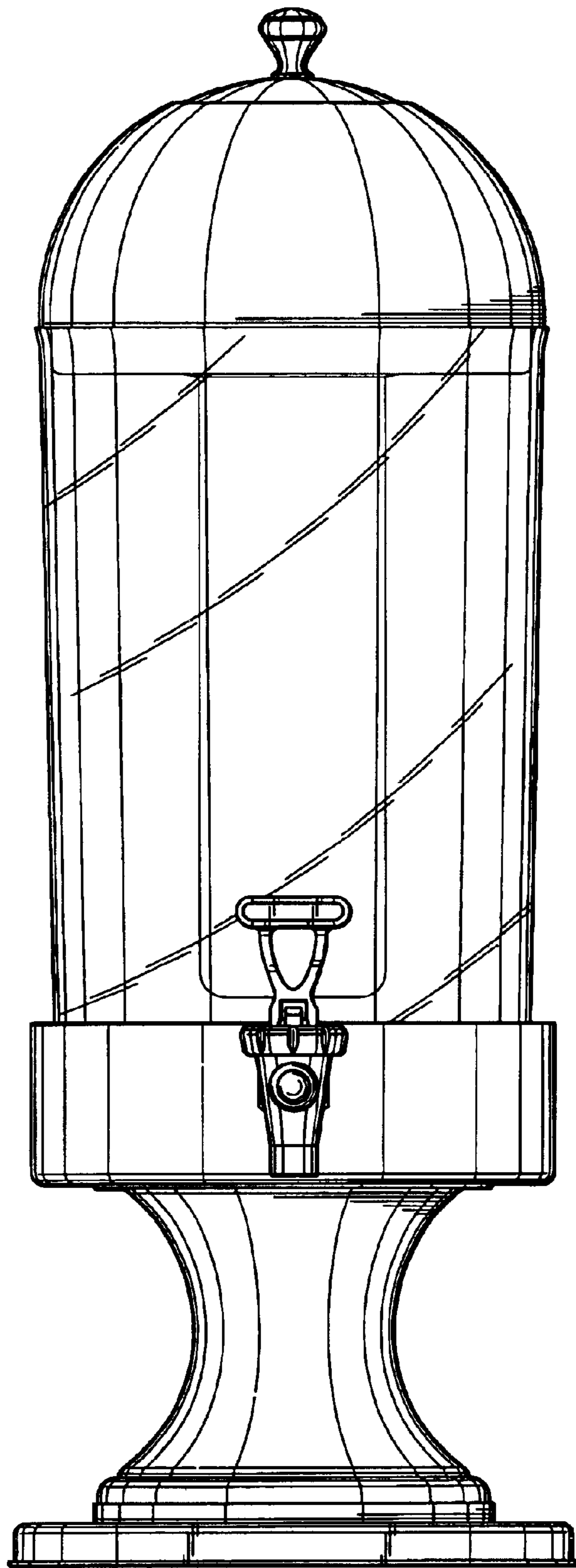


FIG. 2

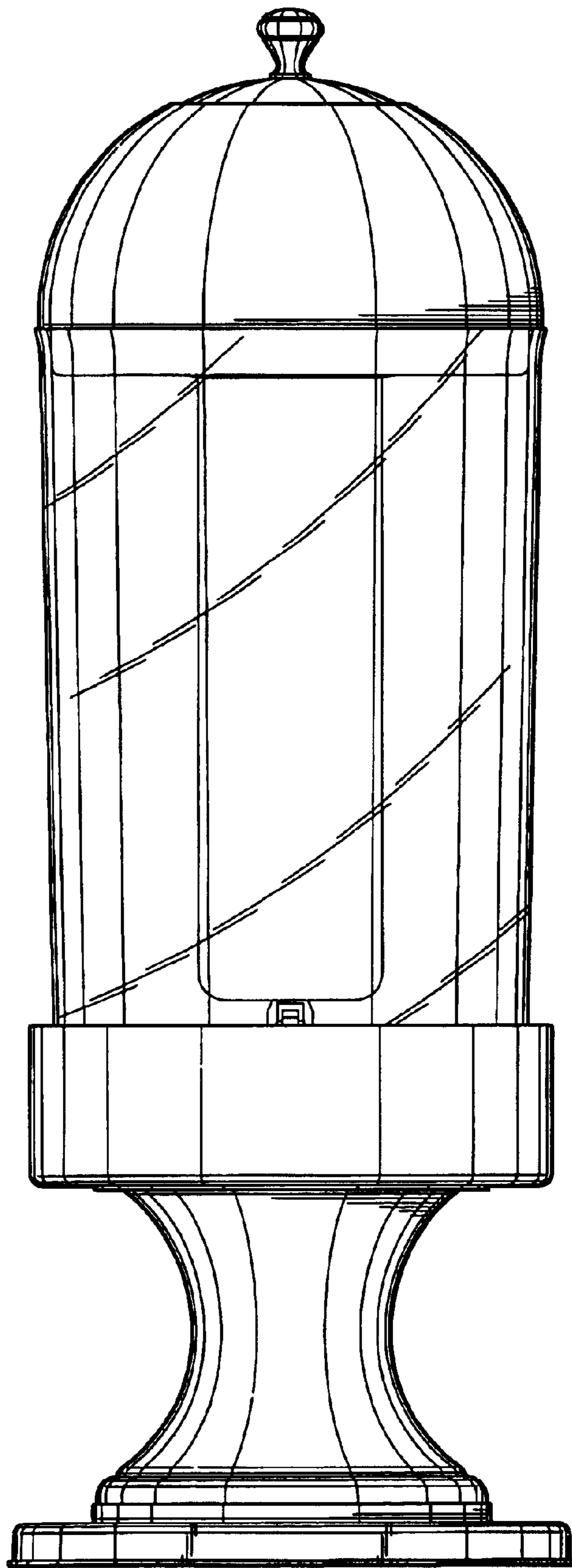


FIG. 3

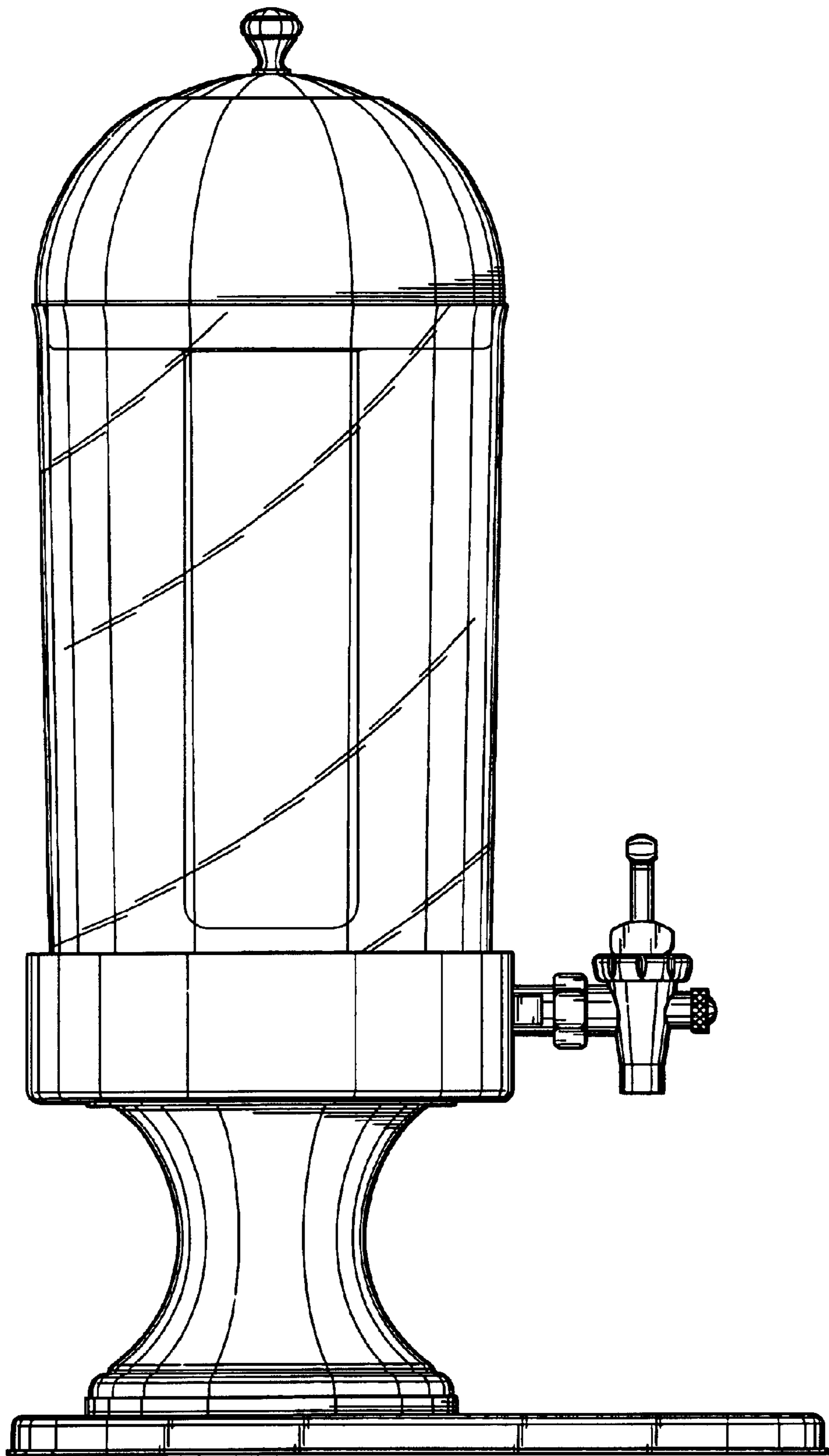


FIG. 4

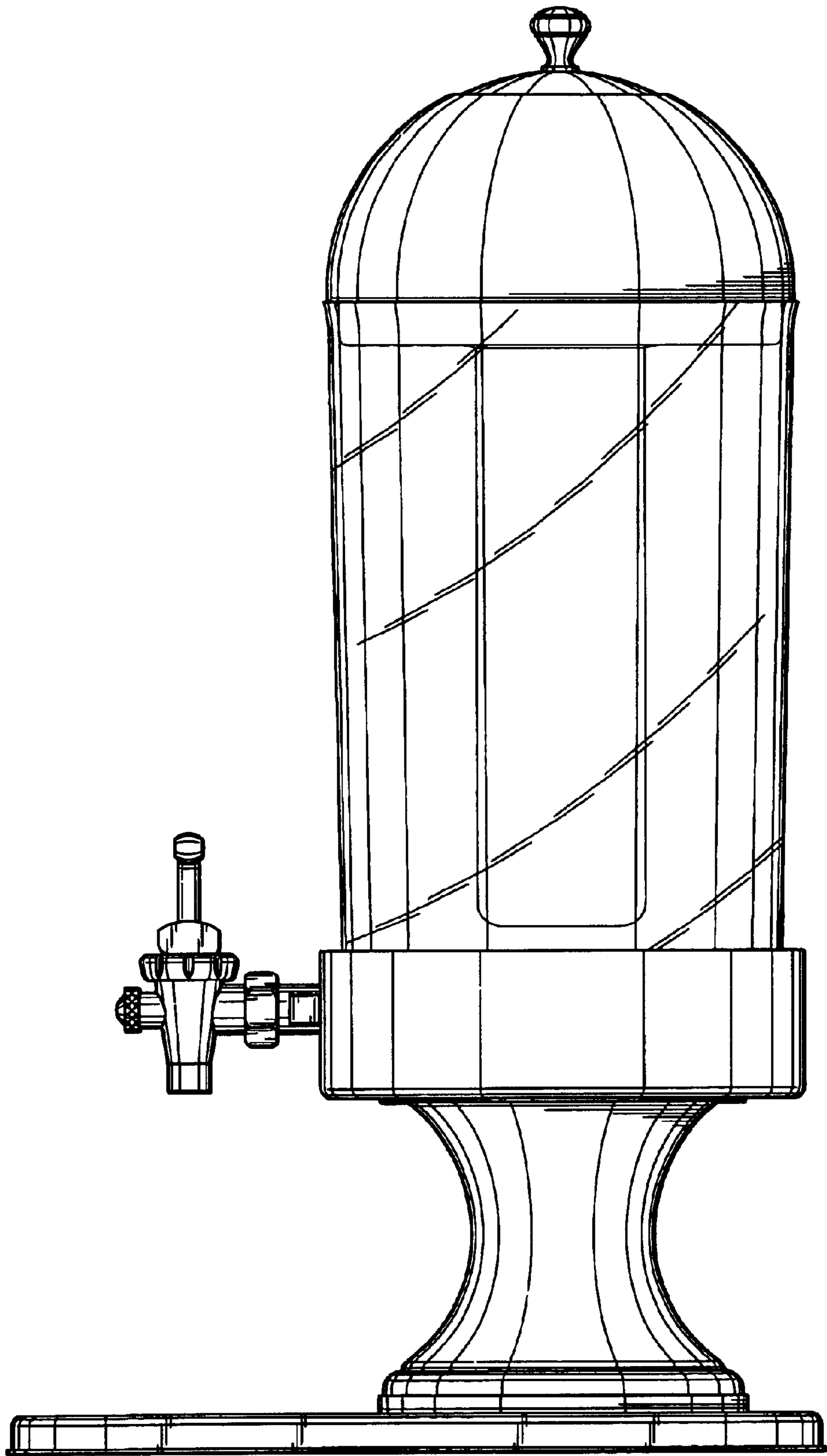


FIG. 5

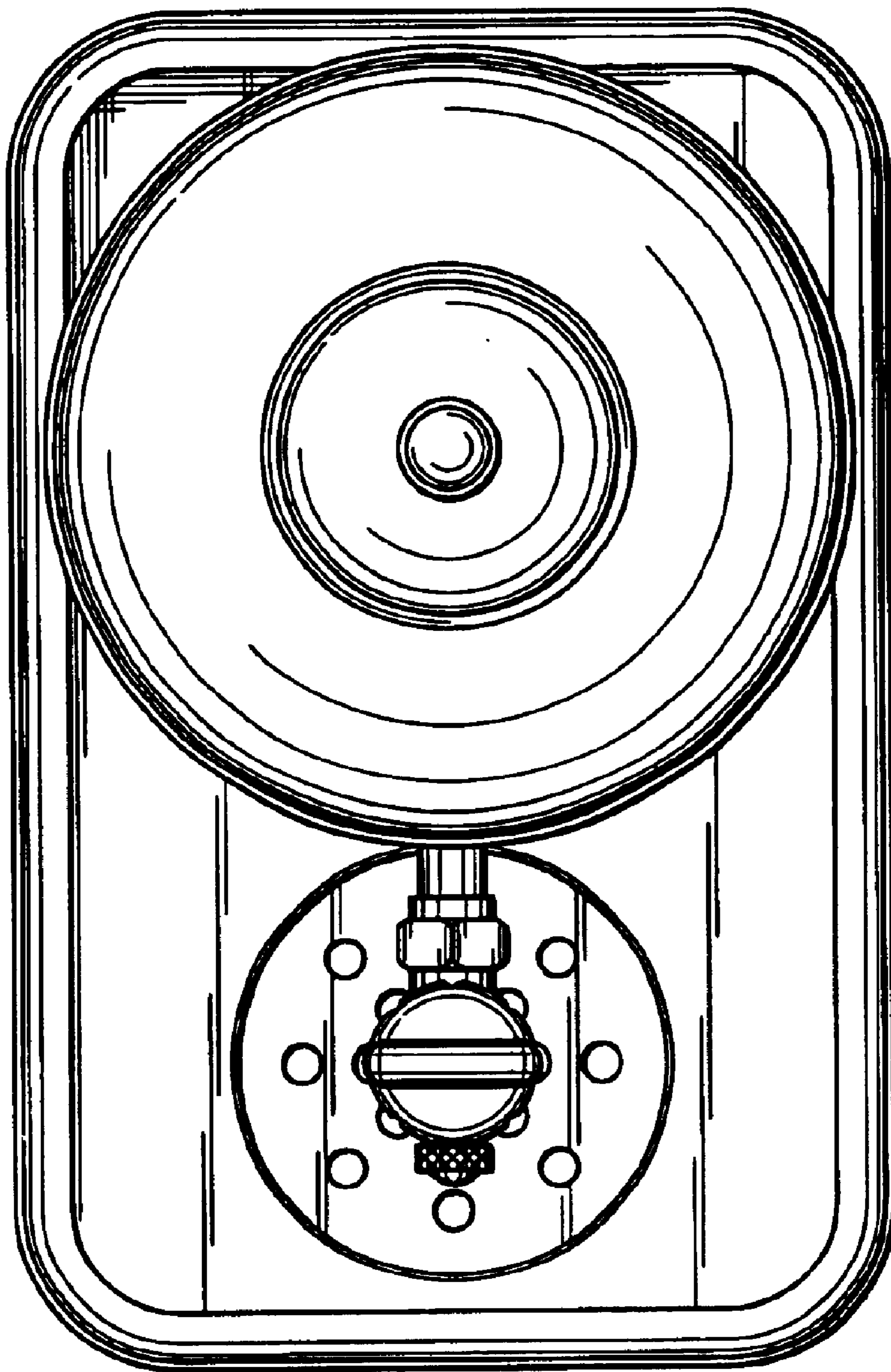


FIG. 6

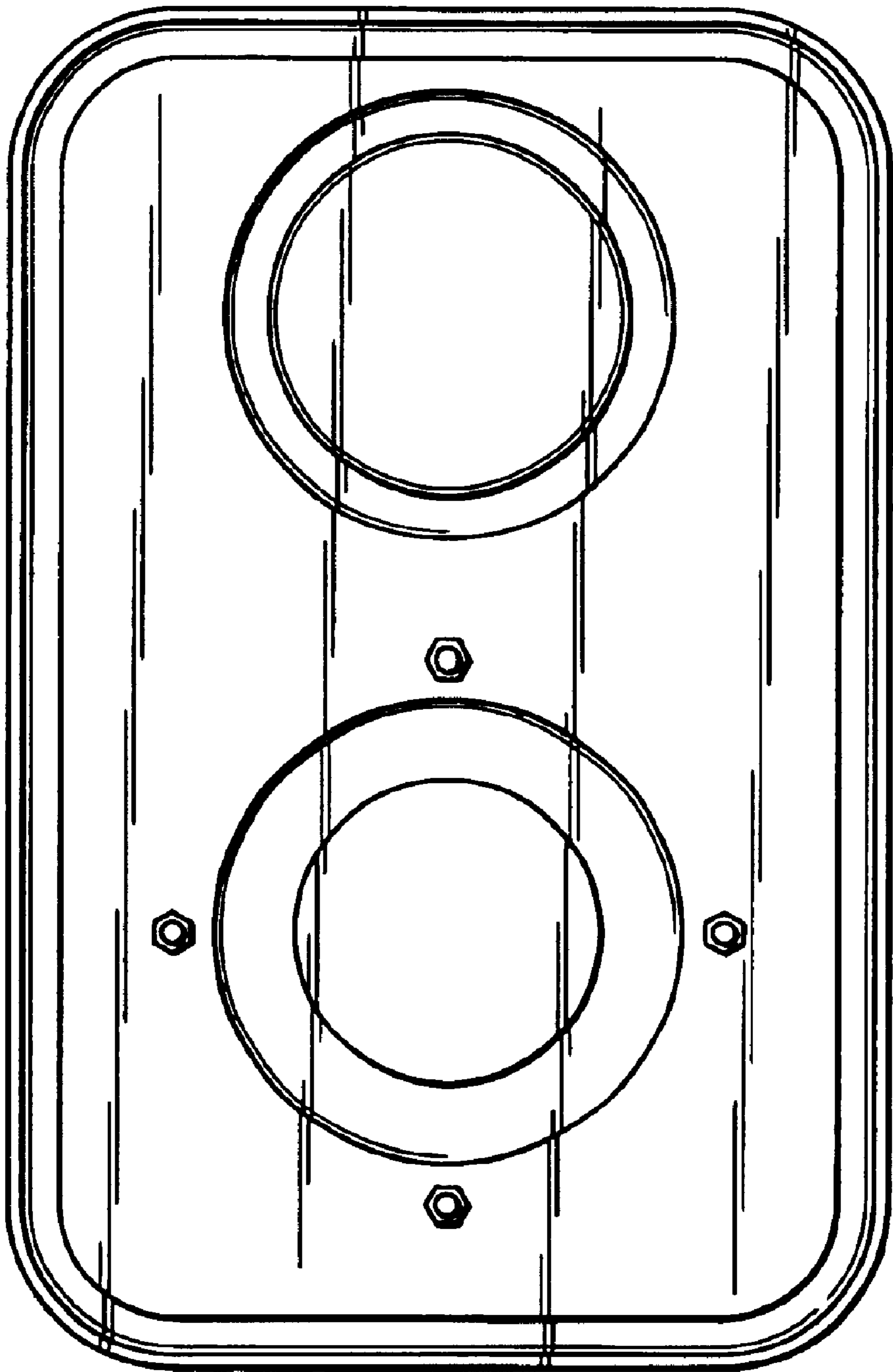


FIG. 7