



US00D489925S

(12) **United States Design Patent**
Astle

(10) **Patent No.:** **US D489,925 S**

(45) **Date of Patent:** **** May 18, 2004**

(54) **TABLE TOP**

(75) Inventor: **Robert A. Astle**, Farmington, UT (US)

(73) Assignee: **Lifetime Products, Inc.**, Clearfield, UT (US)

(**) Term: **14 Years**

(21) Appl. No.: **29/179,761**

(22) Filed: **Apr. 15, 2003**

(51) **LOC (7) Cl.** **06-06**

(52) **U.S. Cl.** **D6/511**

(58) **Field of Search** D6/480-489, 429-430,
D6/509-511; 108/153.1, 155, 156, 161,
36, 126, 169, 65, 69, 70, 77

(56) **References Cited**

U.S. PATENT DOCUMENTS

D353,286 S	*	12/1994	Hand	D6/480
D412,415 S	*	8/1999	Adler et al.	D6/480
D468,135 S	*	1/2003	Ashby et al.	D6/491
D469,996 S	*	2/2003	Ashby	D6/511
D470,352 S	*	2/2003	Strong	D6/511
D479,778 S	*	9/2003	Haney et al.	D6/511

* cited by examiner

Primary Examiner—Janice Seeger

(74) *Attorney, Agent, or Firm*—Workman Nydegger

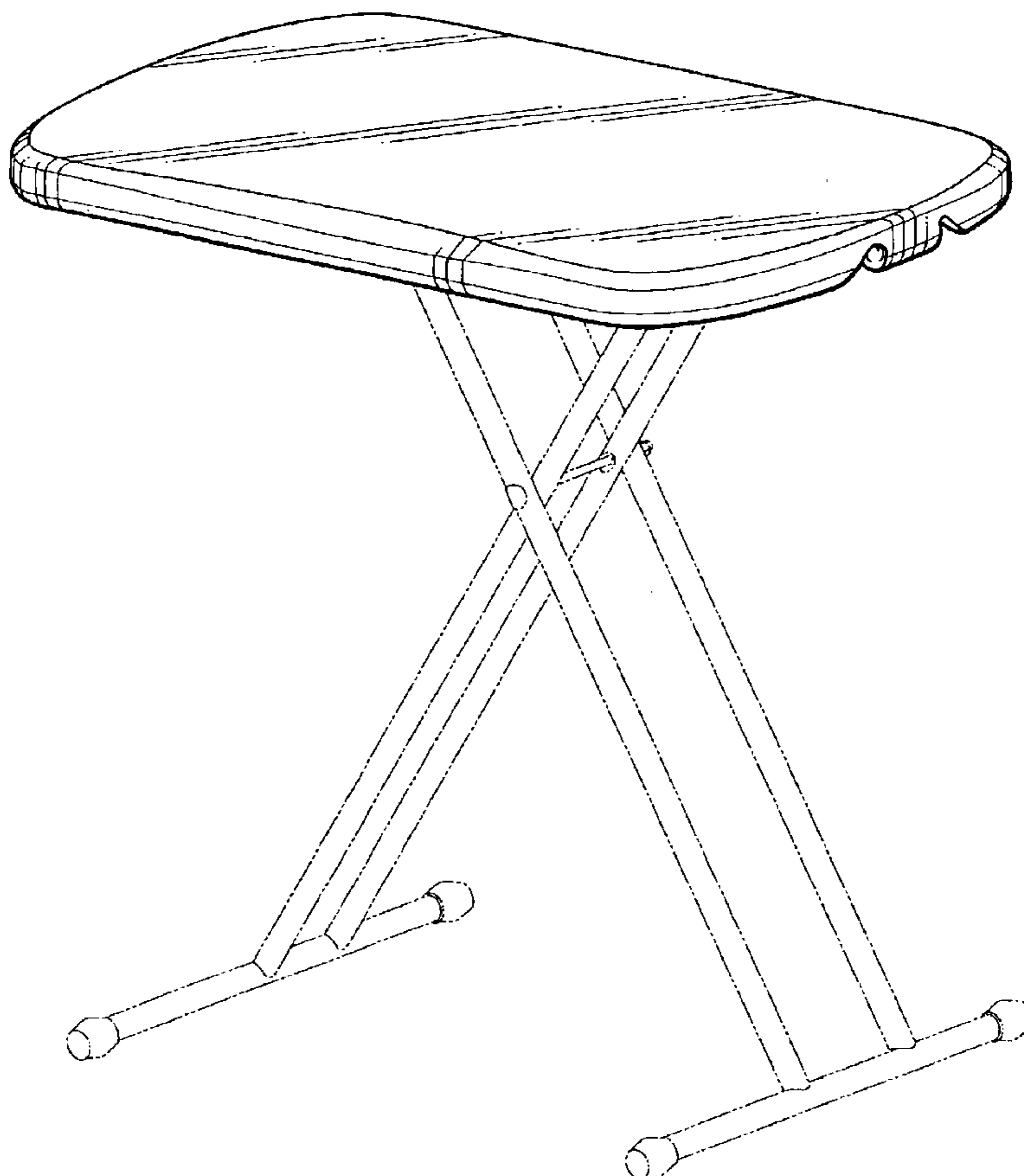
(57) **CLAIM**

The ornamental design for a table top, as shown and described.

DESCRIPTION

FIG. 1 is a front perspective view of a table top;
 FIG. 2 is a rear perspective view of the table top shown in FIG. 1;
 FIG. 3 is a bottom perspective view of the table top shown in FIG. 1;
 FIG. 4 is a bottom view of the table top shown in FIG. 1;
 FIG. 5 is a top view of the table top shown in FIG. 1;
 FIG. 6 is a front view of the table top shown in FIG. 1, with the rear view being a mirror image thereof;
 FIG. 7 is a left side view of the table top shown in FIG. 1; and,
 FIG. 8 is a right side view of the table top shown in FIG. 1.
 The broken lines shown in the figures are for illustrative purposes only and form no part of the claimed design.

1 Claim, 4 Drawing Sheets



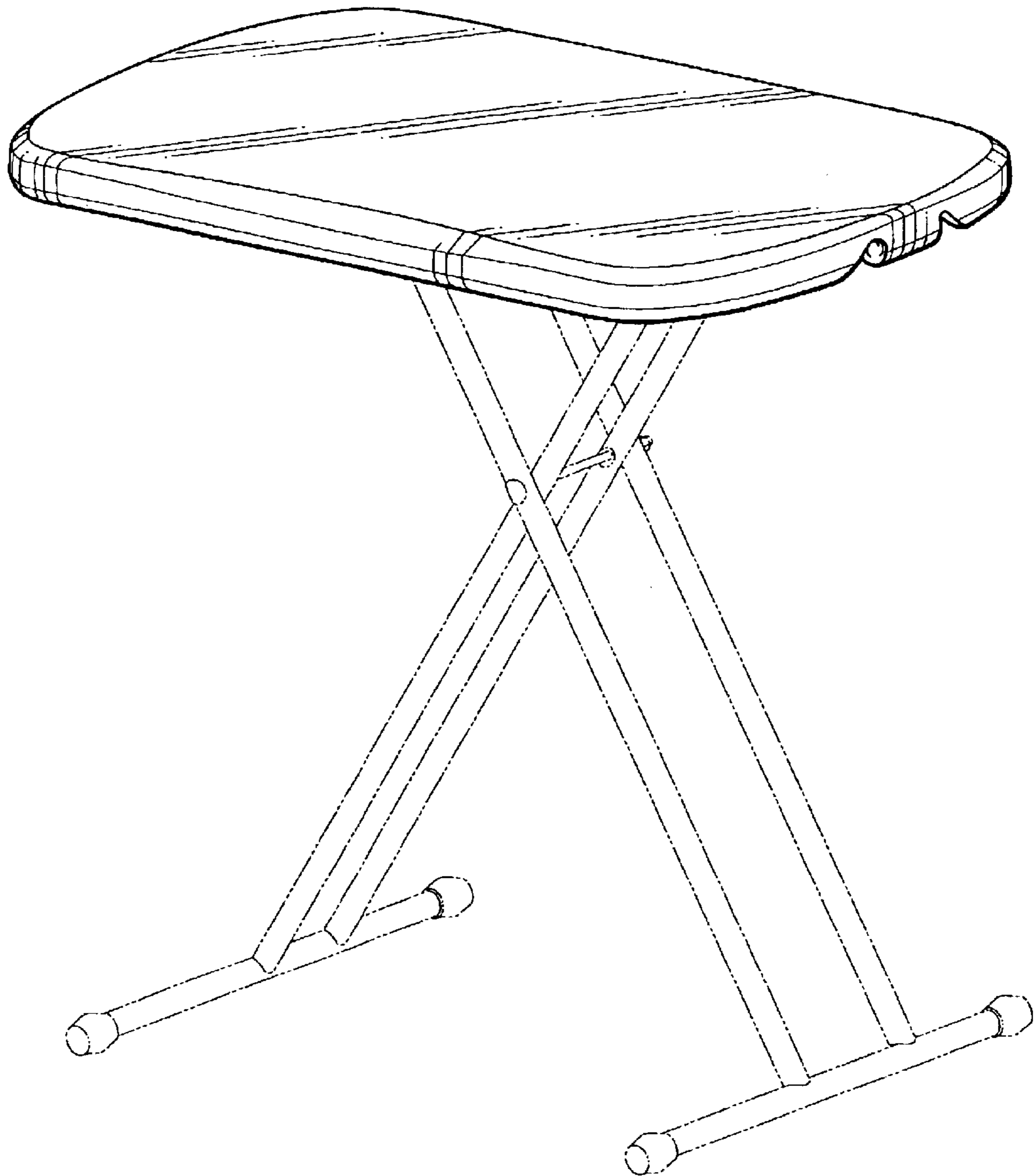


Fig. 1

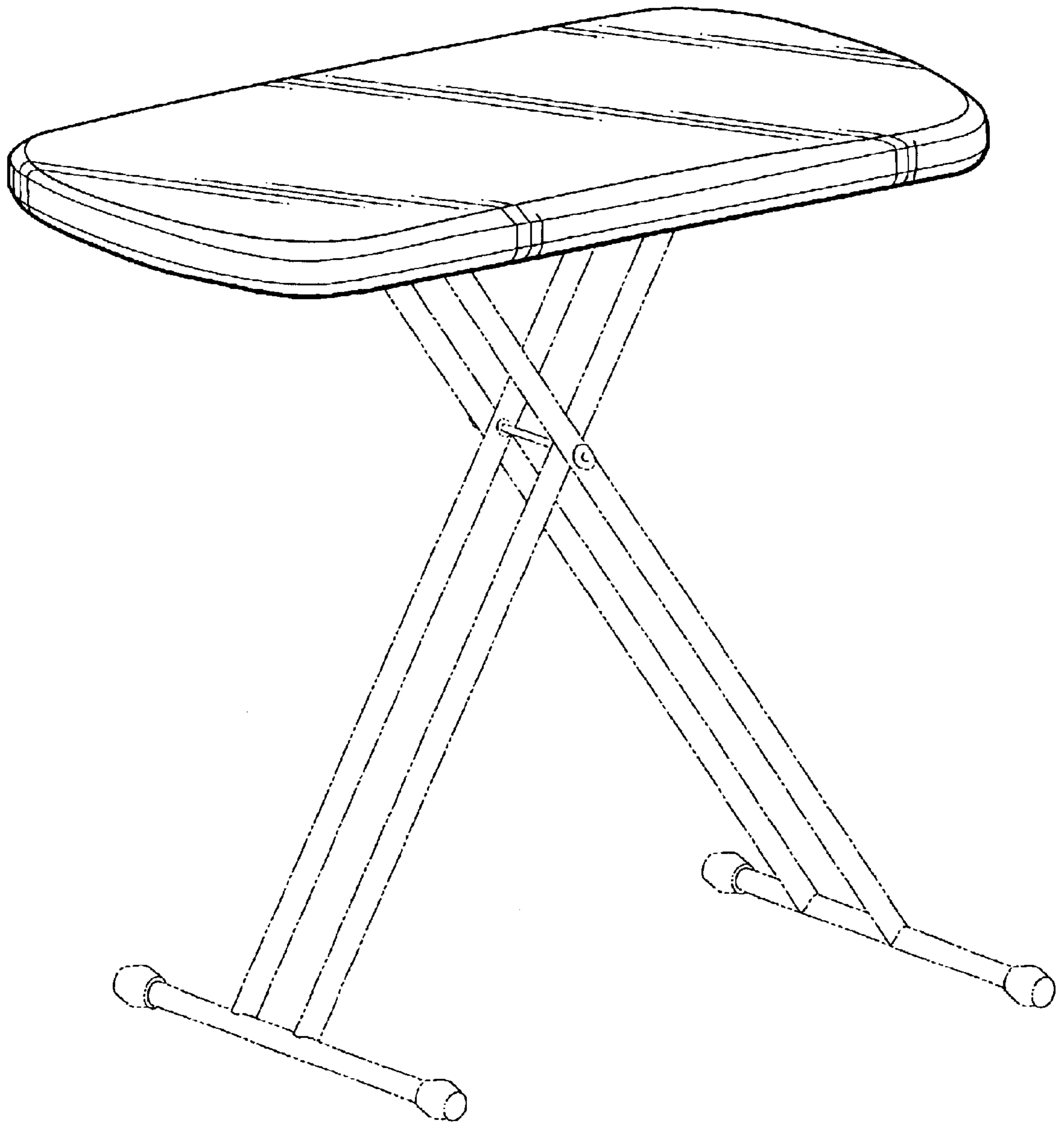


Fig. 2

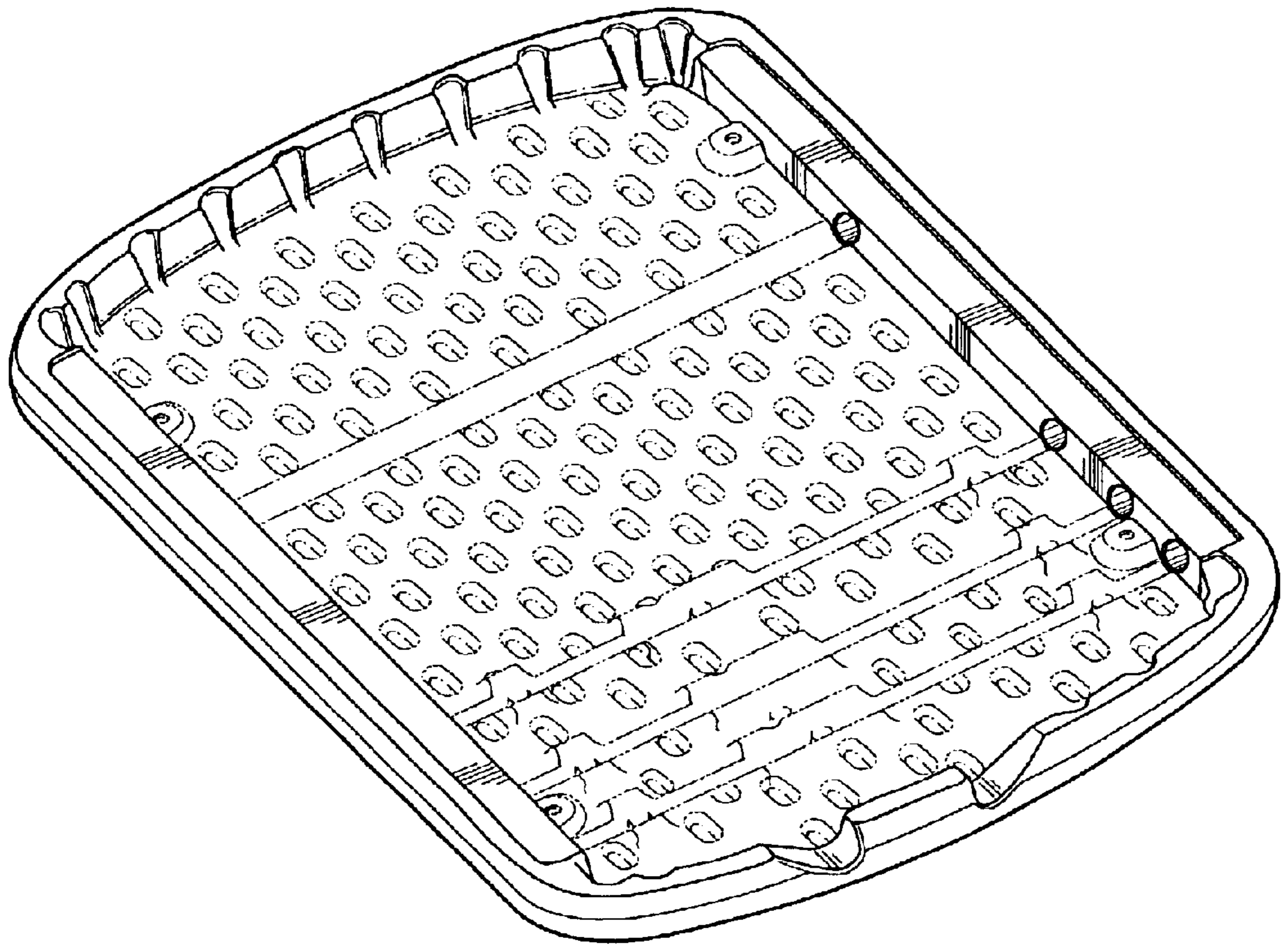


Fig. 3

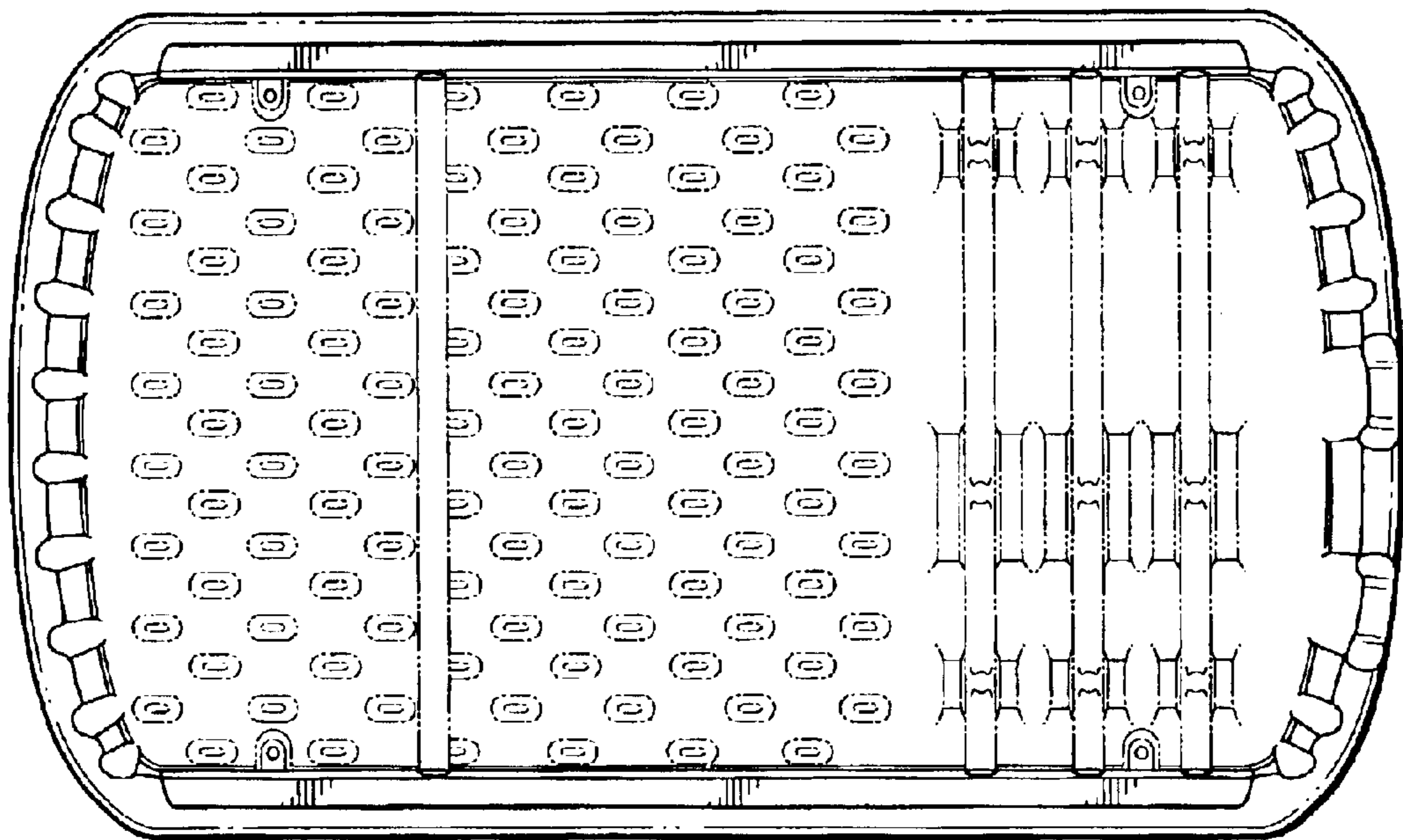


Fig. 4

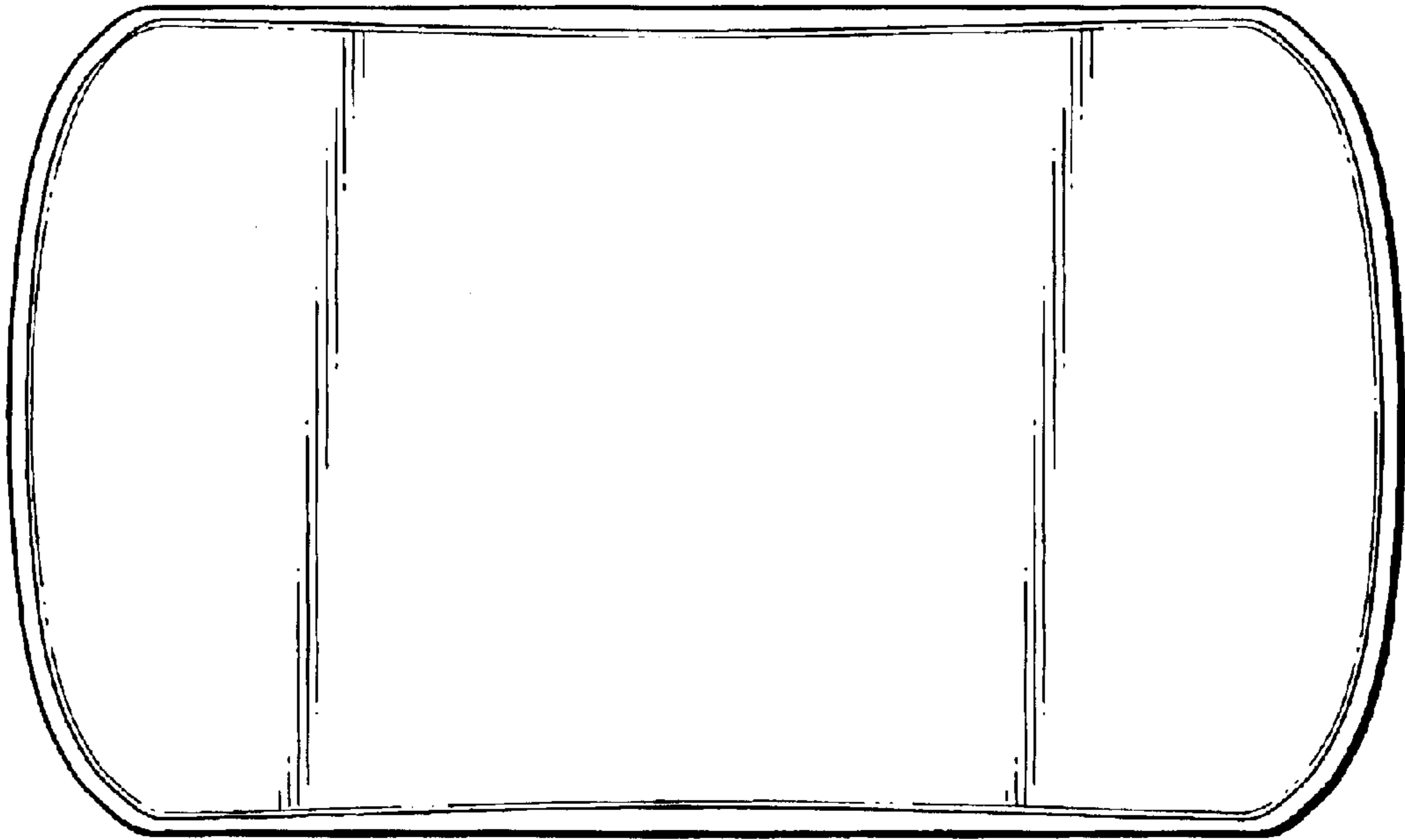


Fig. 5

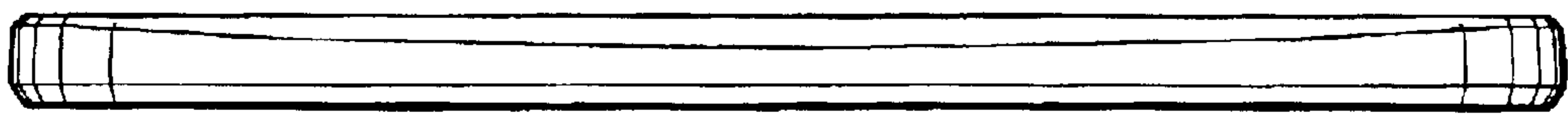


Fig. 6

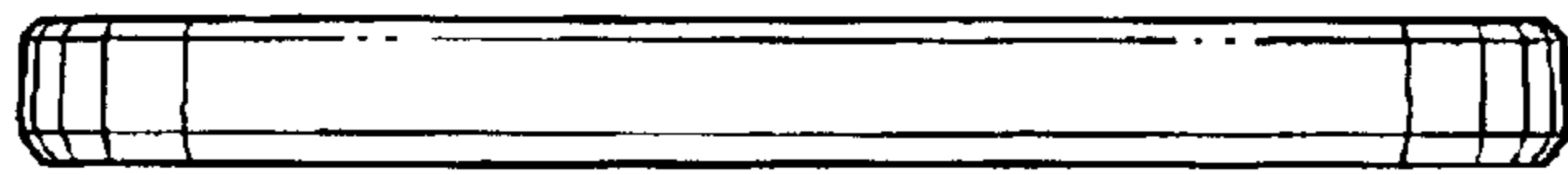


Fig. 7



Fig. 8

UNITED STATES PATENT AND TRADEMARK OFFICE
CERTIFICATE OF CORRECTION

PATENT NO. : Des. 489,925 S
APPLICATION NO. : 29/179761
DATED : May 18, 2004
INVENTOR(S) : Robert A. Astle


Page 1 of 1

It is certified that error appears in the above-identified patent and that said Letters Patent is hereby corrected as shown below:

Title Page, DESCRIPTION, line 11: delete “,” after “and”

Signed and Sealed this

Twenty-fifth Day of December, 2007

A handwritten signature in black ink that reads "Jon W. Dudas". The signature is written in a cursive style with a large, looped initial "J".

JON W. DUDAS

Director of the United States Patent and Trademark Office