



US00D489924S

(12) **United States Design Patent**
Luong

(10) **Patent No.:** **US D489,924 S**

(45) **Date of Patent:** **** May 18, 2004**

(54) **PERSONAL ENTERTAINMENT STATION
ARM (FOR TAPES, DVD, AND GAME
PLAYERS)**

D404,232 S * 1/1999 Kump et al. D6/511
D458,484 S * 6/2002 Wood D6/511

* cited by examiner

(76) Inventor: **Mike Luong**, 2539 Mercantile Dr.,
Suite 4&5, Rancho Cordova, CA (US)
95742

Primary Examiner—Cathron Brooks
(74) *Attorney, Agent, or Firm*—Mark C. Jacobs

(**) Term: **14 Years**

(57) **CLAIM**

The ornamental design for personal entertainment station
arm (for tapes, DVD, and game players), as shown and
described.

(21) Appl. No.: **29/178,879**

(22) Filed: **Apr. 2, 2003**

DESCRIPTION

(51) **LOC (7) Cl.** **06-06**

(52) **U.S. Cl.** **D6/511; D6/407; D6/418**

(58) **Field of Search** D6/418, 509–511,
D6/491, 492; 108/6, 152; 211/90.01, 90.02,
100, 133.4; 312/223.3

FIG. 1 is a top perspective view of the personal entertain-
ment station arm (for tapes, DVD, and game players) of this
design.

FIG. 2 is a bottom perspective view thereof.

FIG. 3 is a top plan view of the personal entertainment
station arm (for tapes, DVD, and game players) of this
design.

FIG. 4 is a front elevational view thereof.

FIG. 5 is a right side elevational view of this design.

FIG. 6 is a rear elevational view thereof.

FIG. 7 is a left side elevational view of this design; and,

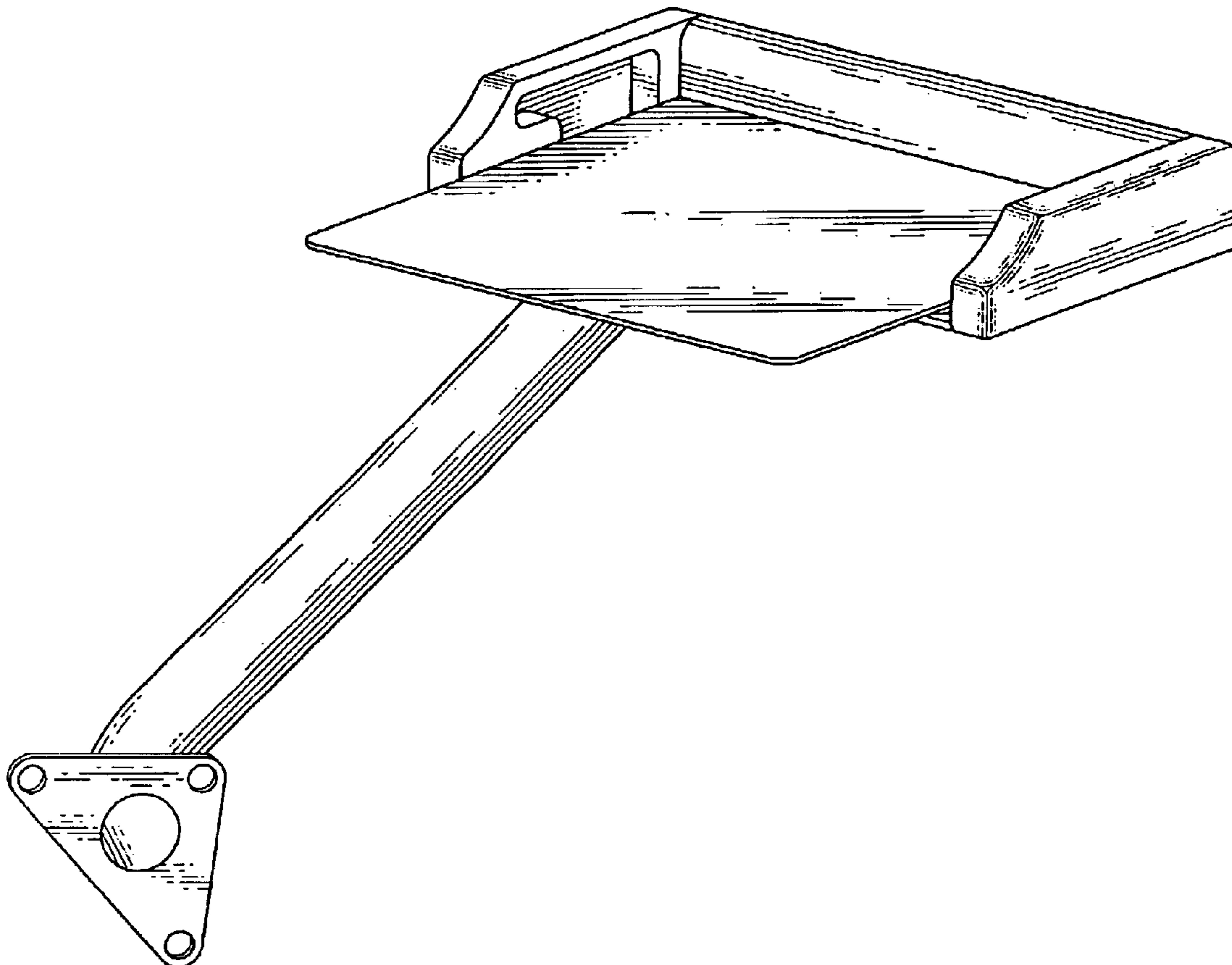
FIG. 8 is a bottom plan view of this design.

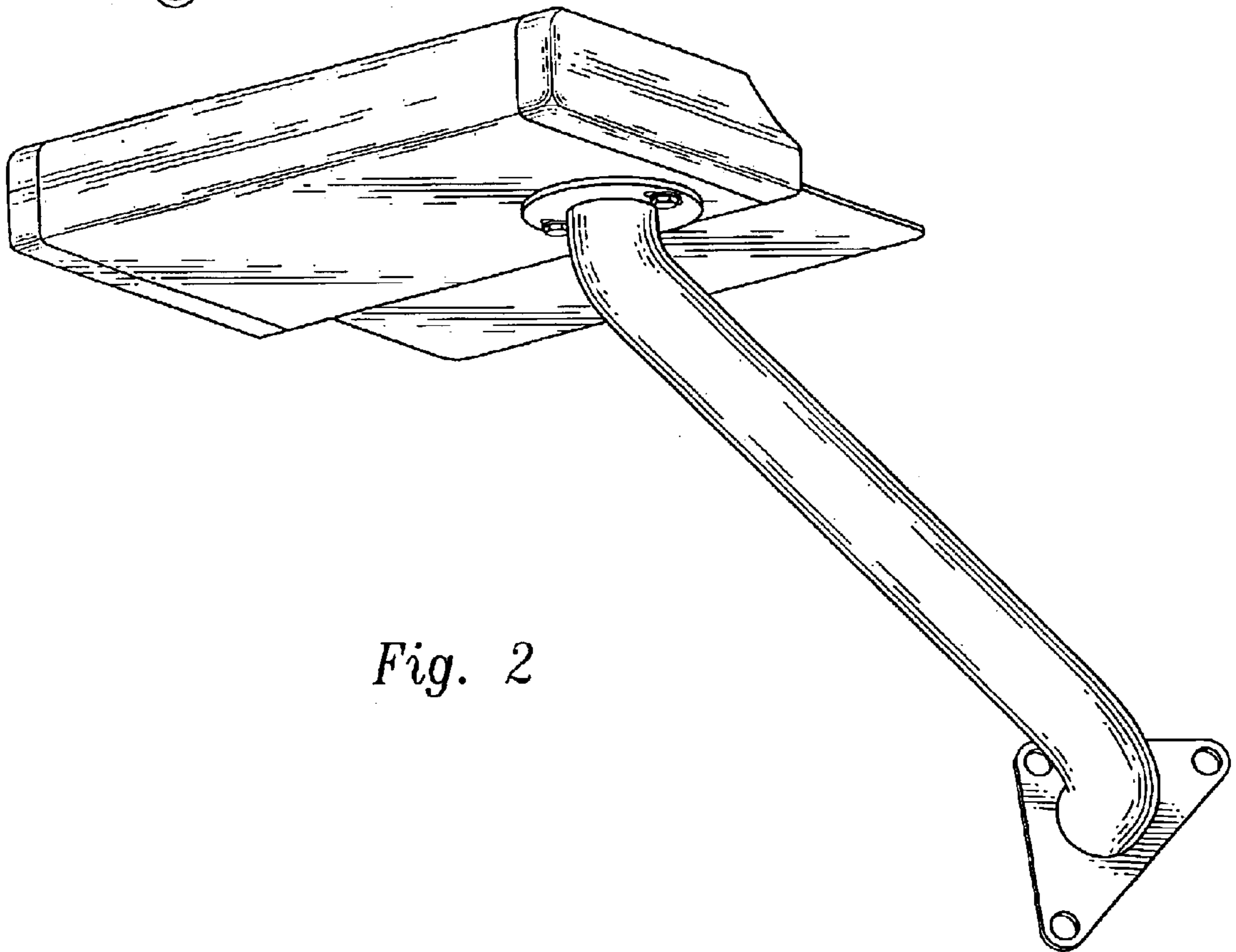
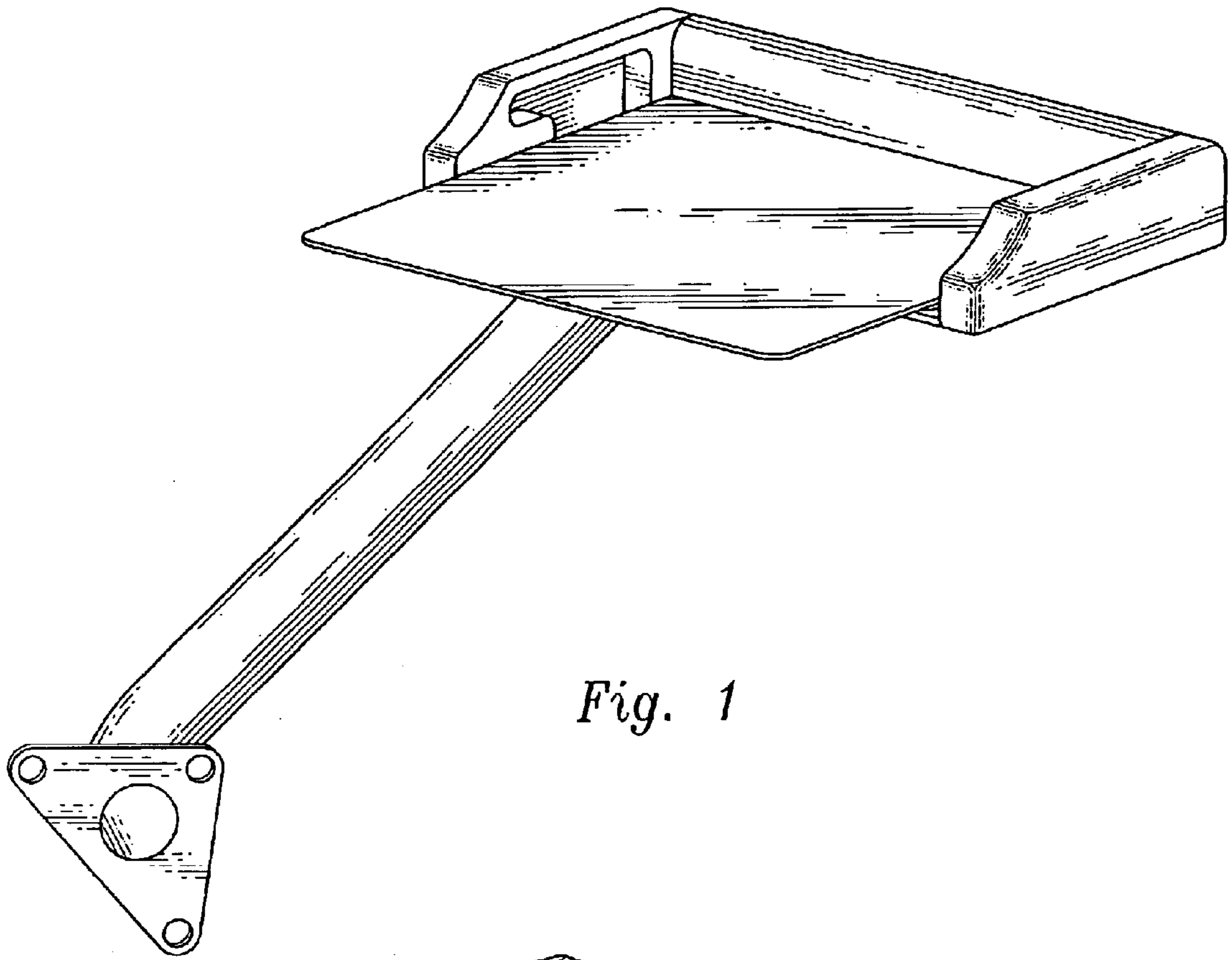
(56) **References Cited**

U.S. PATENT DOCUMENTS

4,672,898 A * 6/1987 Davidson 108/6
D314,505 S * 2/1991 Chen D8/380
D321,351 S * 11/1991 Kirchner D14/251
D323,752 S * 2/1992 Montagner D6/420
D363,492 S * 10/1995 Brusing D14/251
D376,590 S * 12/1996 Kao et al. D14/452

1 Claim, 3 Drawing Sheets





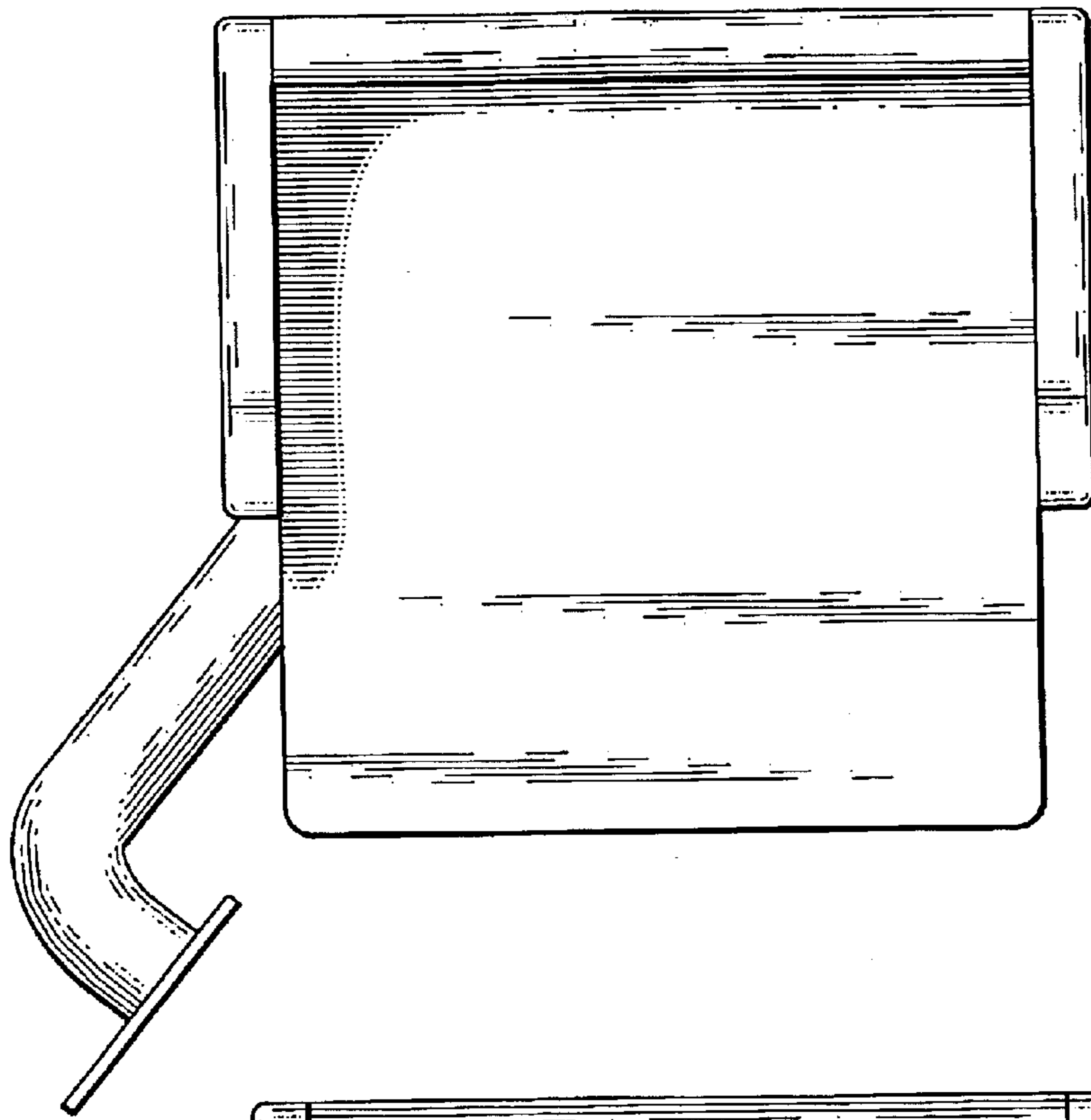


Fig. 3

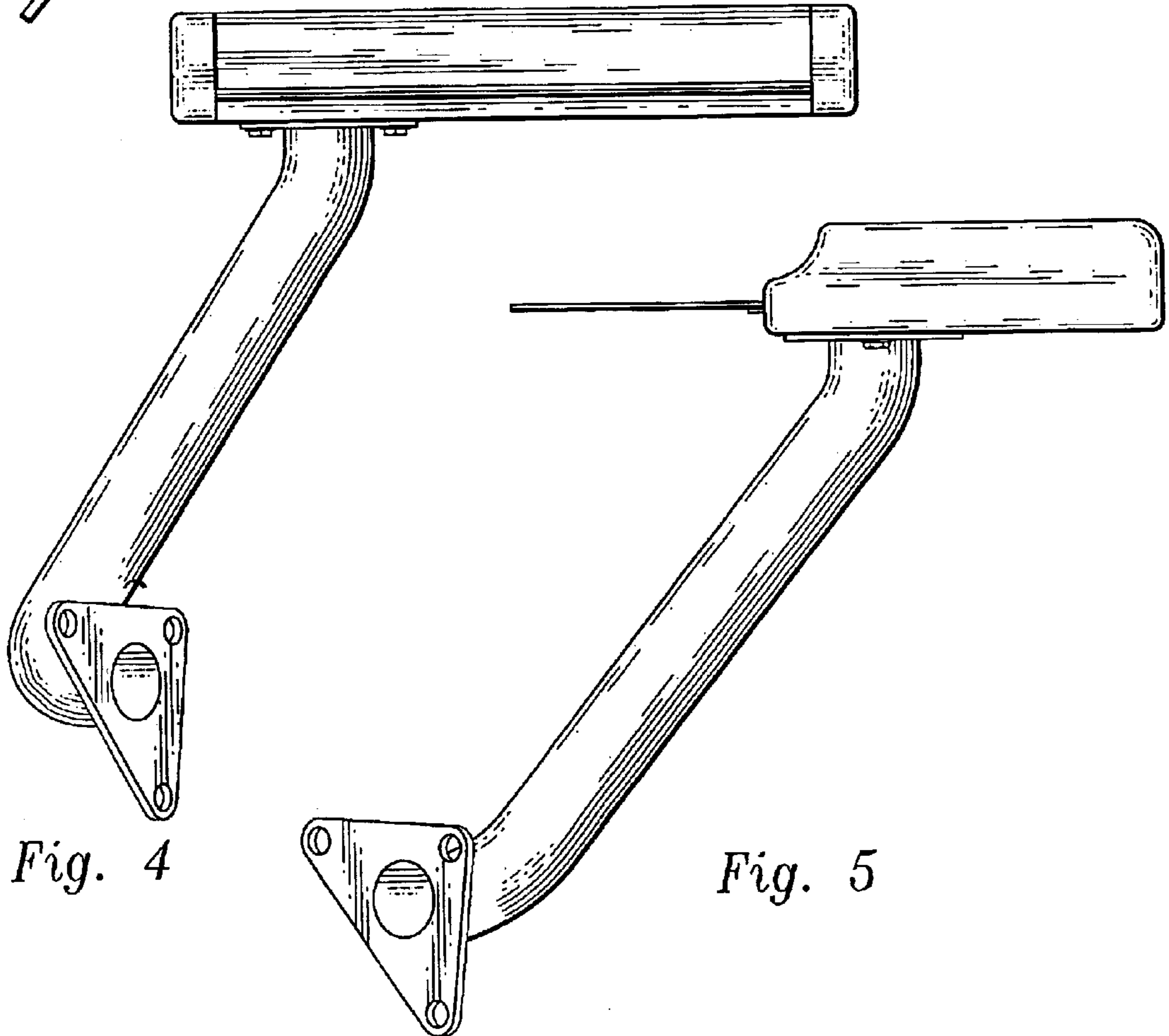


Fig. 4

Fig. 5

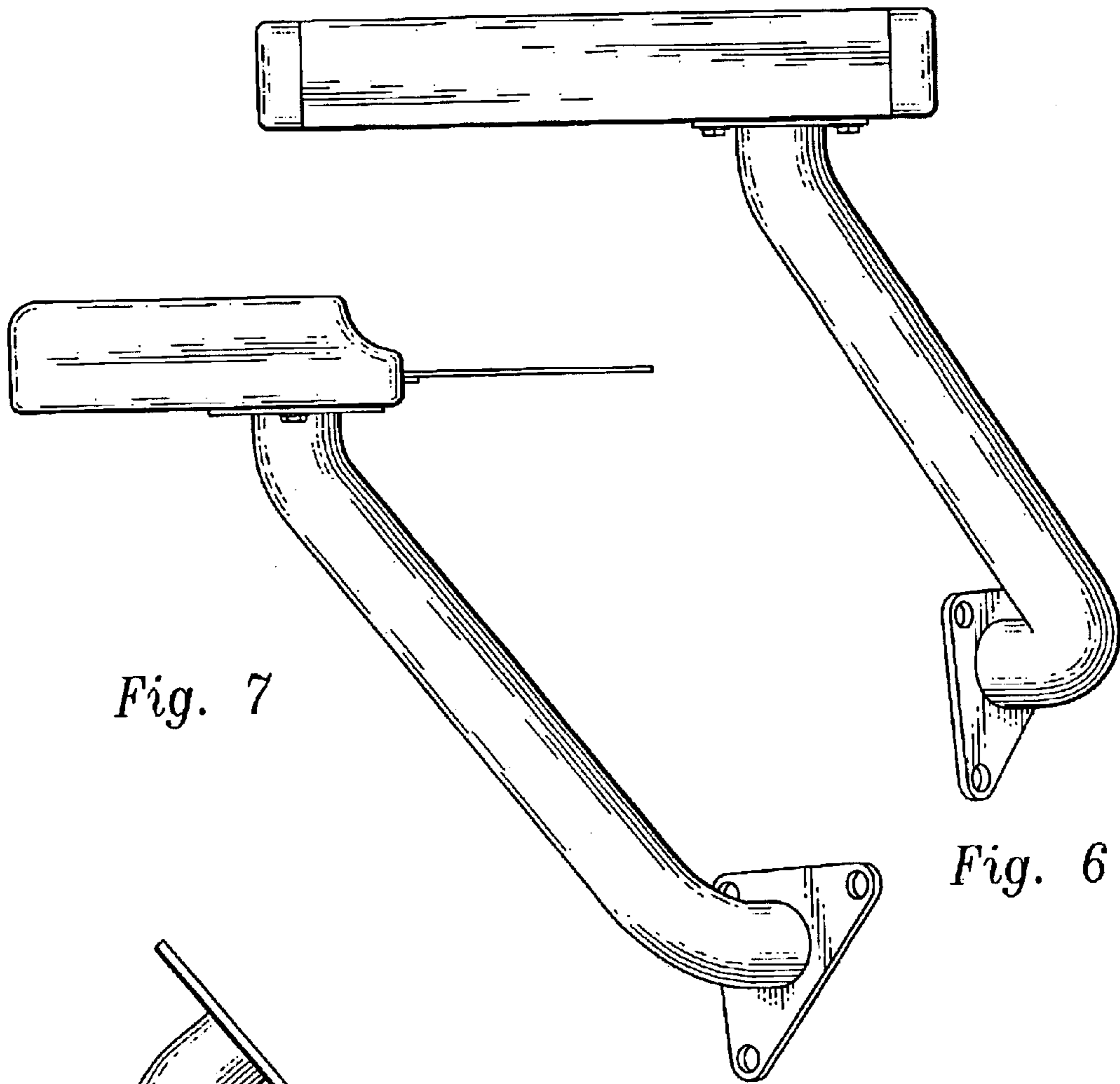


Fig. 7

Fig. 6

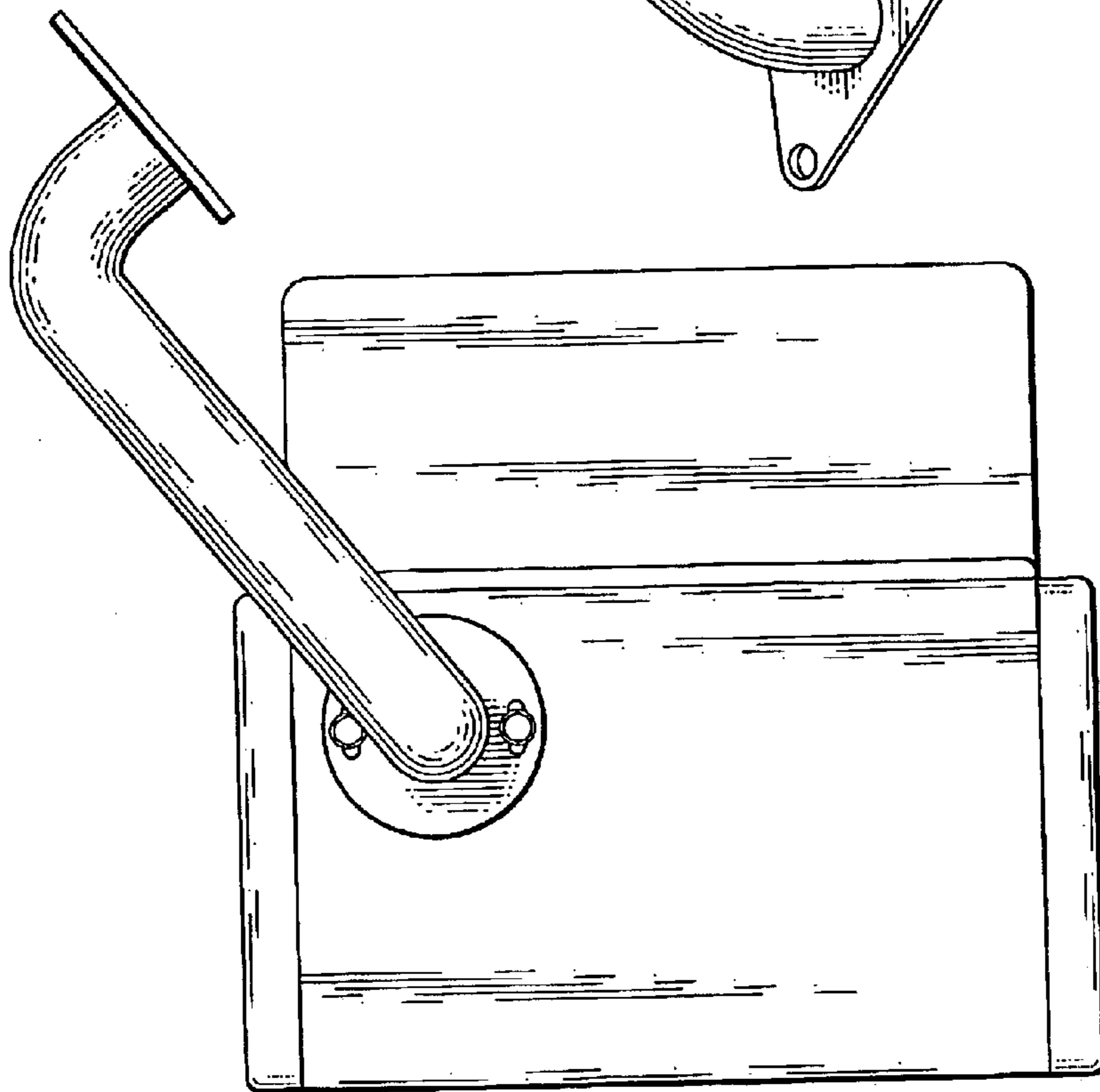


Fig. 8