



US00D489919S

(12) **United States Design Patent**  
**Tseng**

(10) **Patent No.:** **US D489,919 S**

(45) **Date of Patent:** **\*\* May 18, 2004**

(54) **HAMMOCK FRAME**

D443,431 S \* 6/2001 Tseng ..... D6/387  
D458,045 S \* 6/2002 Tseng ..... D6/387

(75) Inventor: **Chuen-Jong Tseng**, Chiayi Hsien (TW)

\* cited by examiner

(73) Assignee: **Taiwan Shin Yeh Enterprise Co., Ltd.**,  
Chiayi Hsien (TW)

*Primary Examiner*—Janice E. Seeger  
(74) *Attorney, Agent, or Firm*—Ladas & Parry

(\*\*) Term: **14 Years**

(57) **CLAIM**

(21) Appl. No.: **29/183,391**

The ornamental design for hammock frame, as shown and described.

(22) Filed: **Jun. 11, 2003**

**DESCRIPTION**

(51) **LOC (7) Cl.** ..... **06-06**

(52) **U.S. Cl.** ..... **D6/387**

(58) **Field of Search** ..... D6/382, 386, 387,  
D6/495, 499, 491, 503; 5/120, 121, 123,  
127, 129, 130

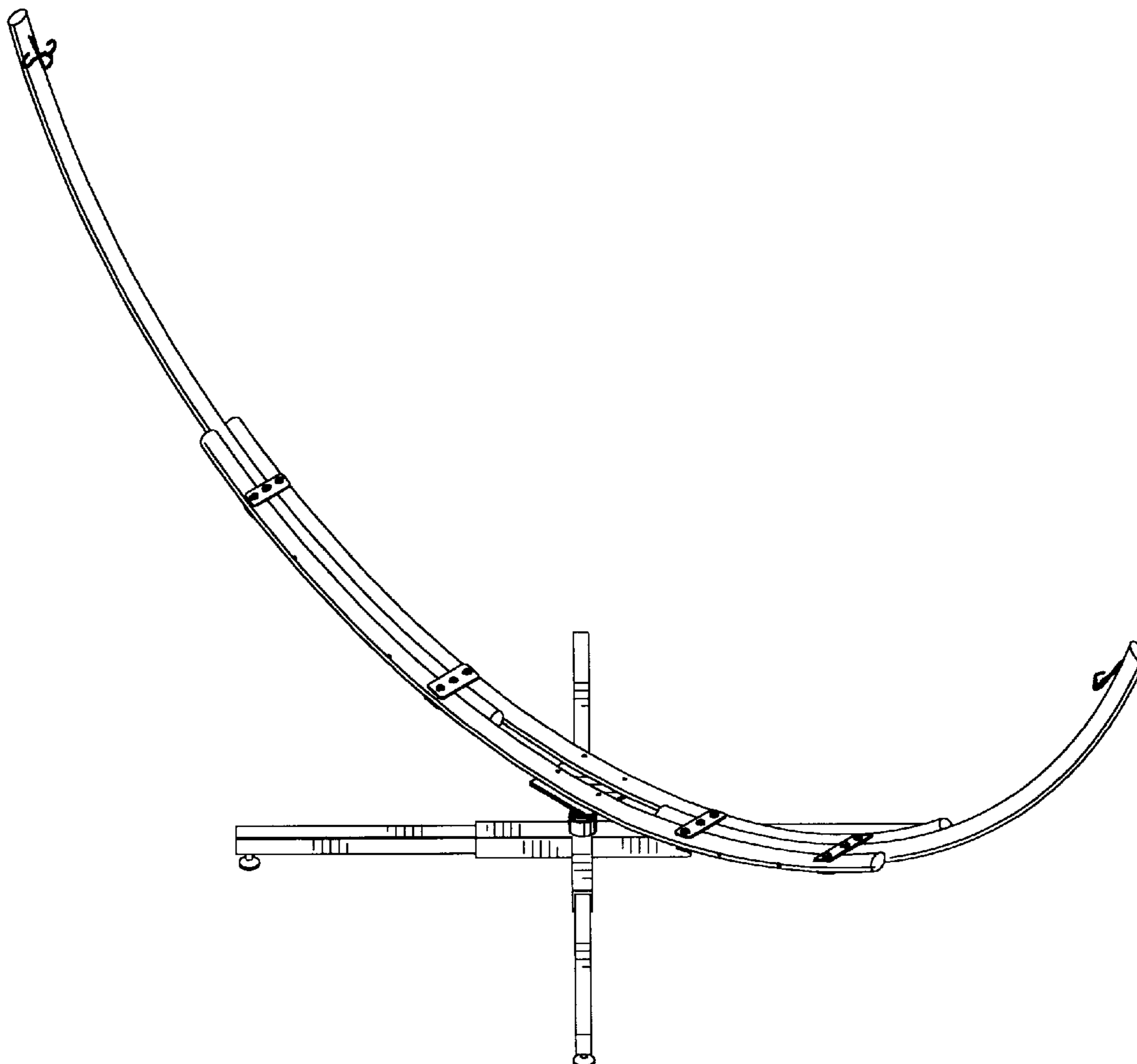
FIG. 1 is a perspective view of hammock frame showing the new design;  
FIG. 2 is a front elevational view thereof;  
FIG. 3 is a rear elevational view thereof;  
FIG. 4 is a left side elevational view thereof;  
FIG. 5 is a right side elevational view thereof;  
FIG. 6 is a top plan view thereof; and,  
FIG. 7 is a bottom plan view thereof.

(56) **References Cited**

**U.S. PATENT DOCUMENTS**

4,975,994 A \* 12/1990 Barmettler ..... 5/120  
5,297,302 A \* 3/1994 Anderson ..... 5/127

**1 Claim, 6 Drawing Sheets**



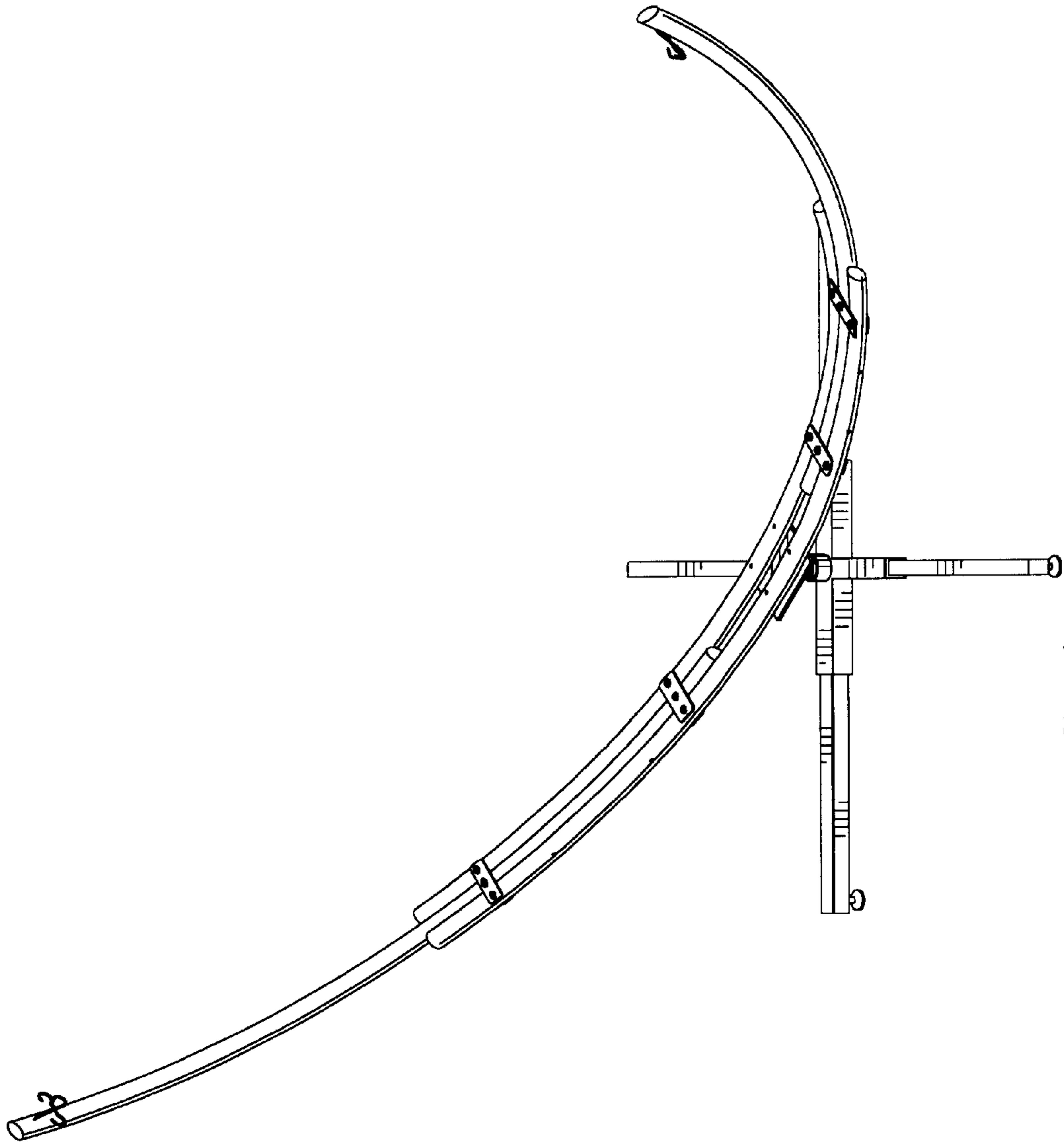


FIG. 1

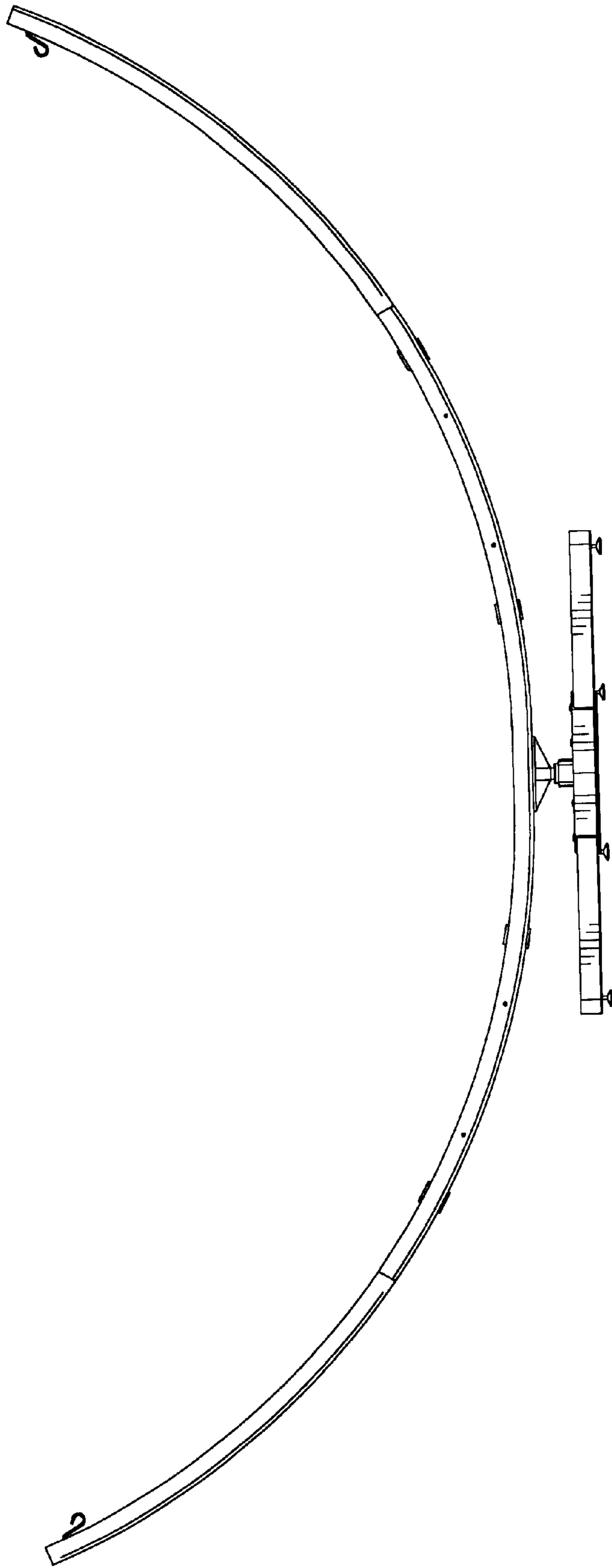


FIG. 2

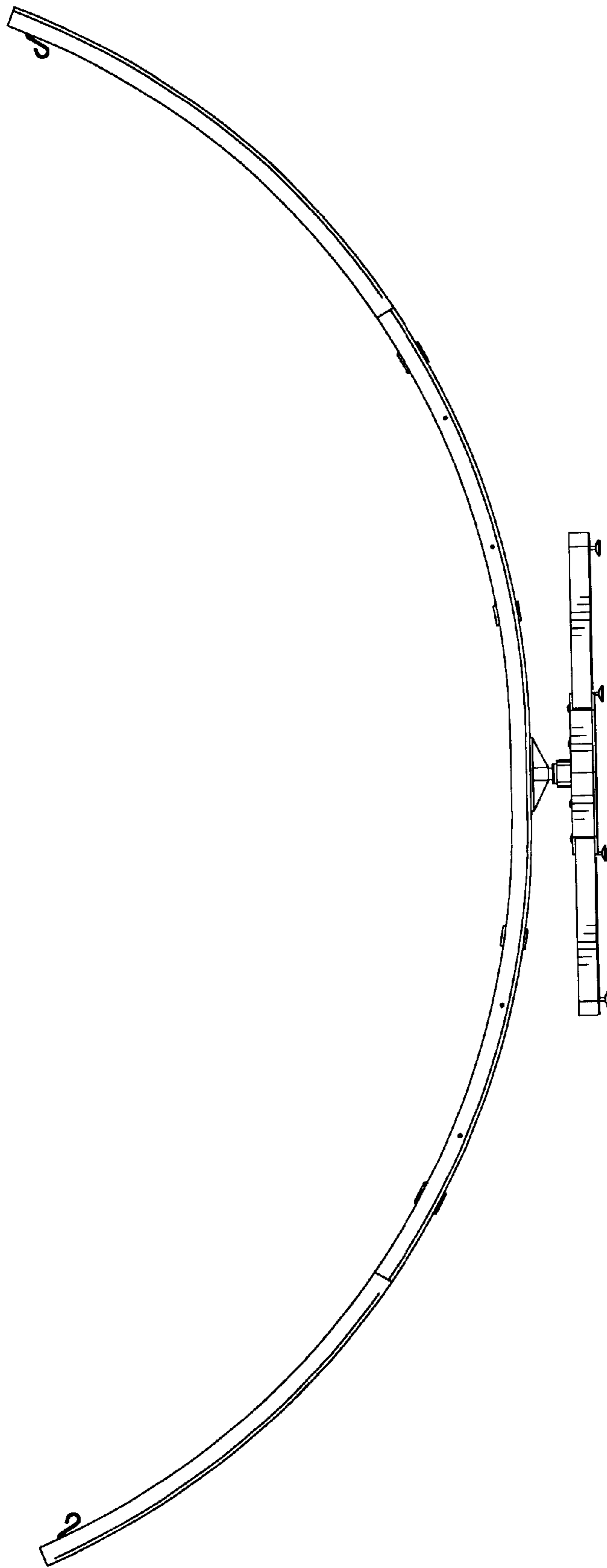


FIG. 3

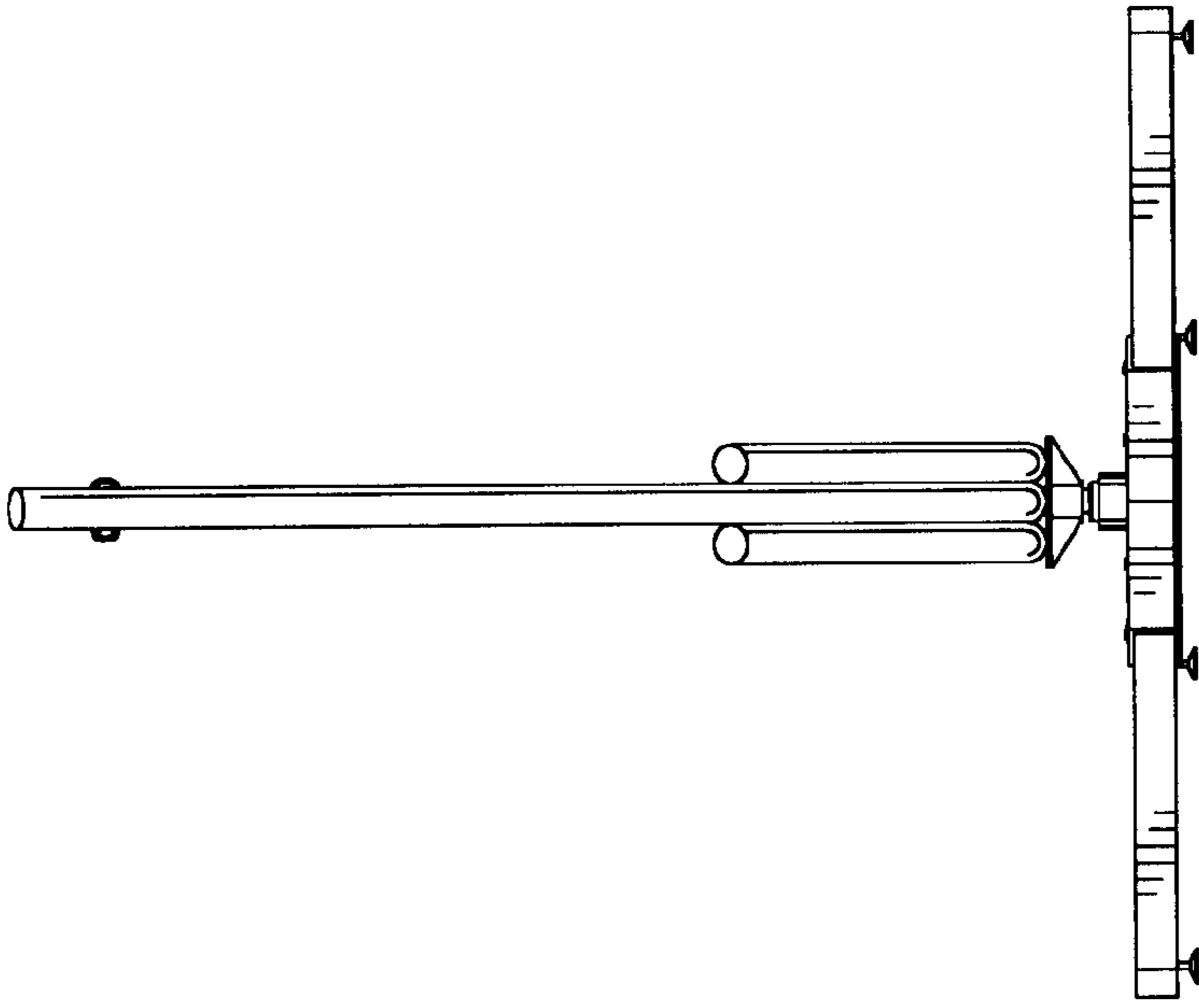


FIG. 5

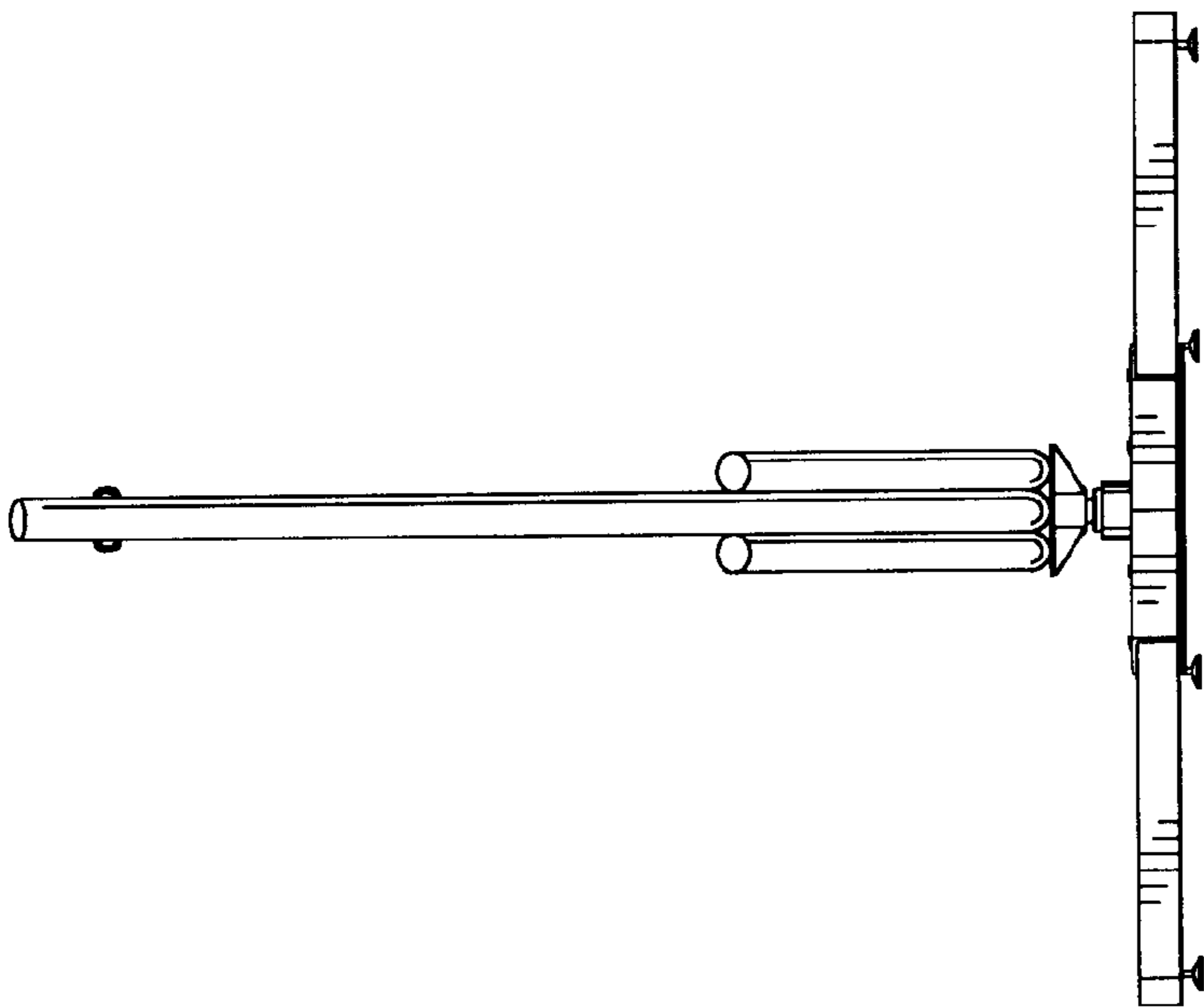


FIG. 4

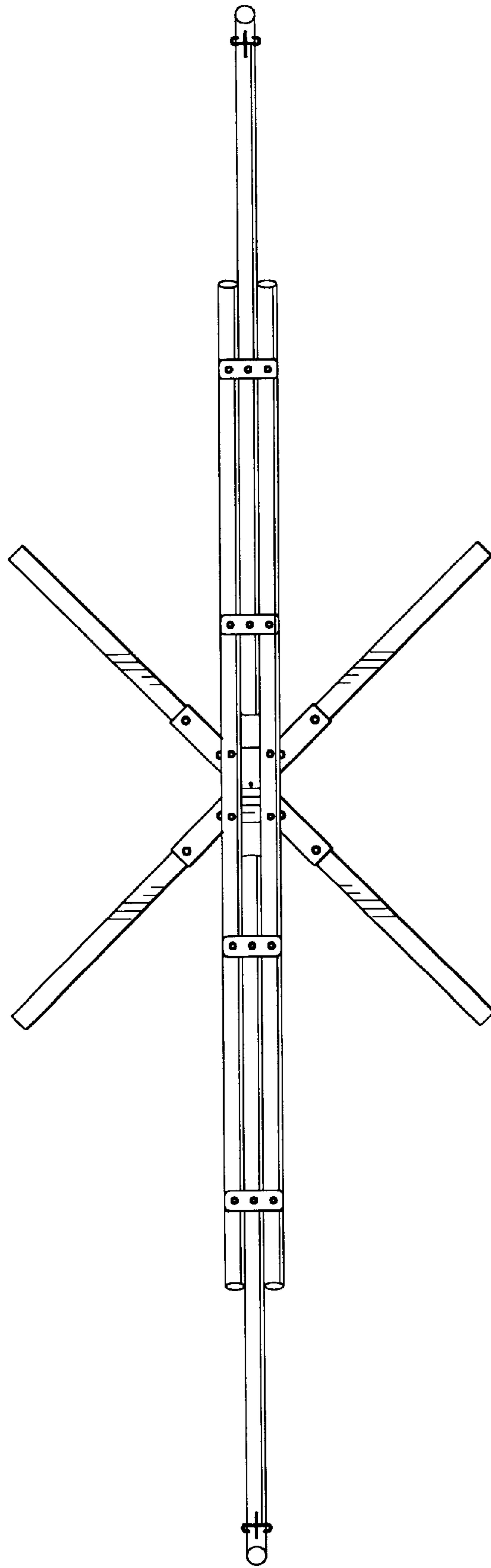


FIG. 6

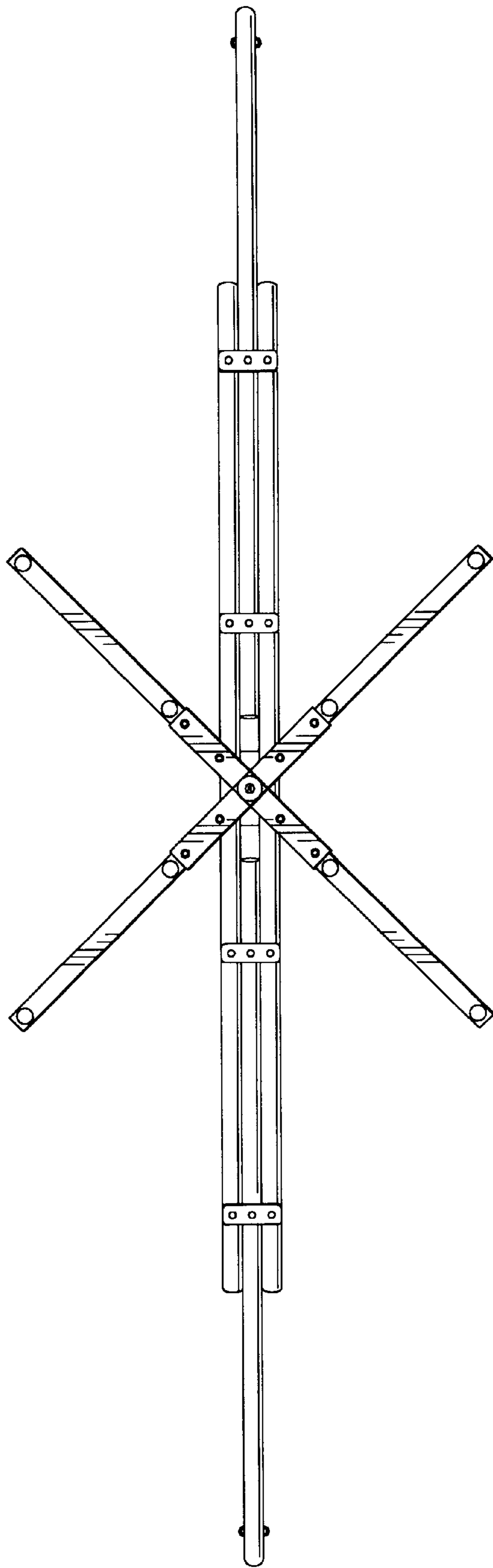


FIG. 7