



US00D489912S

(12) **United States Design Patent**  
**Hutton**

(10) **Patent No.:** **US D489,912 S**

(45) **Date of Patent:** **\*\* May 18, 2004**

(54) **FOLDING CHAIR**

(75) Inventor: **John Hutton**, West Islip, NY (US)

(73) Assignee: **Sutherland**, Dallas, TX (US)

(\*\*) Term: **14 Years**

(21) Appl. No.: **29/186,765**

(22) Filed: **Jul. 22, 2003**

(51) **LOC (7) Cl.** ..... **06-01**

(52) **U.S. Cl.** ..... **D6/368; D6/370**

(58) **Field of Search** ..... D6/334, 368, 374,  
D6/379, 380, 500-502; 297/35, 40, 41,  
55, 411.43, 452.63

(56) **References Cited**

**U.S. PATENT DOCUMENTS**

2,385,072 A	*	9/1945	Gray	.....	297/35
2,490,884 A	*	12/1949	Rau	.....	297/411.43
D320,706 S	*	10/1991	McInerny	.....	D6/370
D366,774 S	*	2/1996	Frinier	.....	D6/370
D448,184 S	*	9/2001	Hoisl	.....	D6/368
D457,340 S	*	5/2002	Muller	.....	D6/370
D457,342 S	*	5/2002	Muller	.....	D6/370
D461,968 S	*	8/2002	Adams et al.	.....	D6/368
D479,774 S	*	9/2003	Wimberger	.....	D6/370

\* cited by examiner

*Primary Examiner*—Doris V. Coles

*Assistant Examiner*—Mimosa De

(74) *Attorney, Agent, or Firm*—Gardere Wynne Sewell, LLP

(57) **CLAIM**

The ornamental design for a folding chair, as shown and described.

**DESCRIPTION**

FIG. 1 is a perspective view of a folding chair in accordance with my invention;

FIG. 2 is a front elevation view of the folding chair shown in FIG. 1;

FIG. 3 is a rear elevation view of the folding chair shown in FIG. 1;

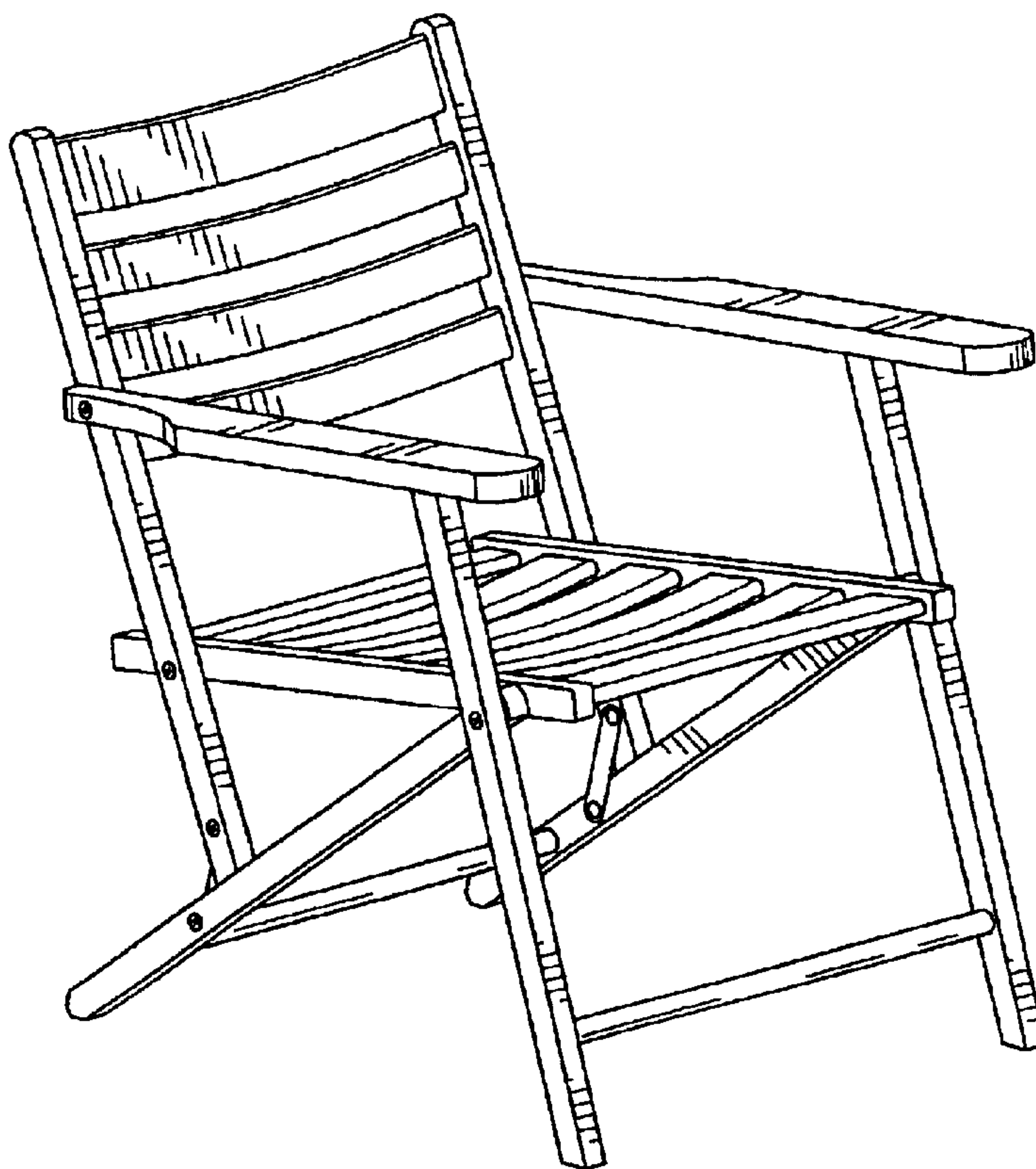
FIG. 4 is a left side elevation view of the folding chair shown in FIG. 1;

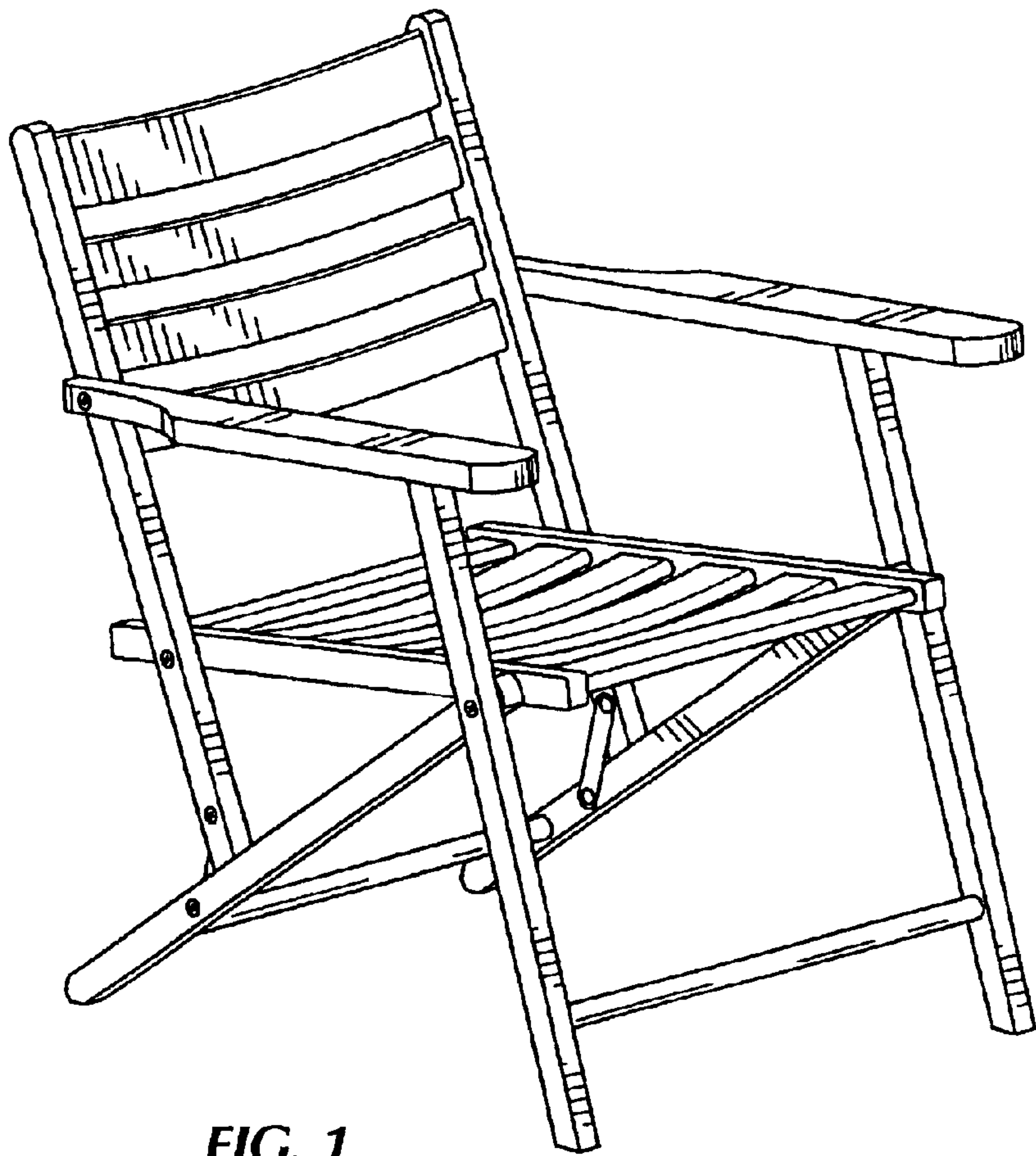
FIG. 5 is a right side elevation view of the folding chair shown in FIG. 1;

FIG. 6 is a top plan view of the folding chair shown in FIG. 1; and,

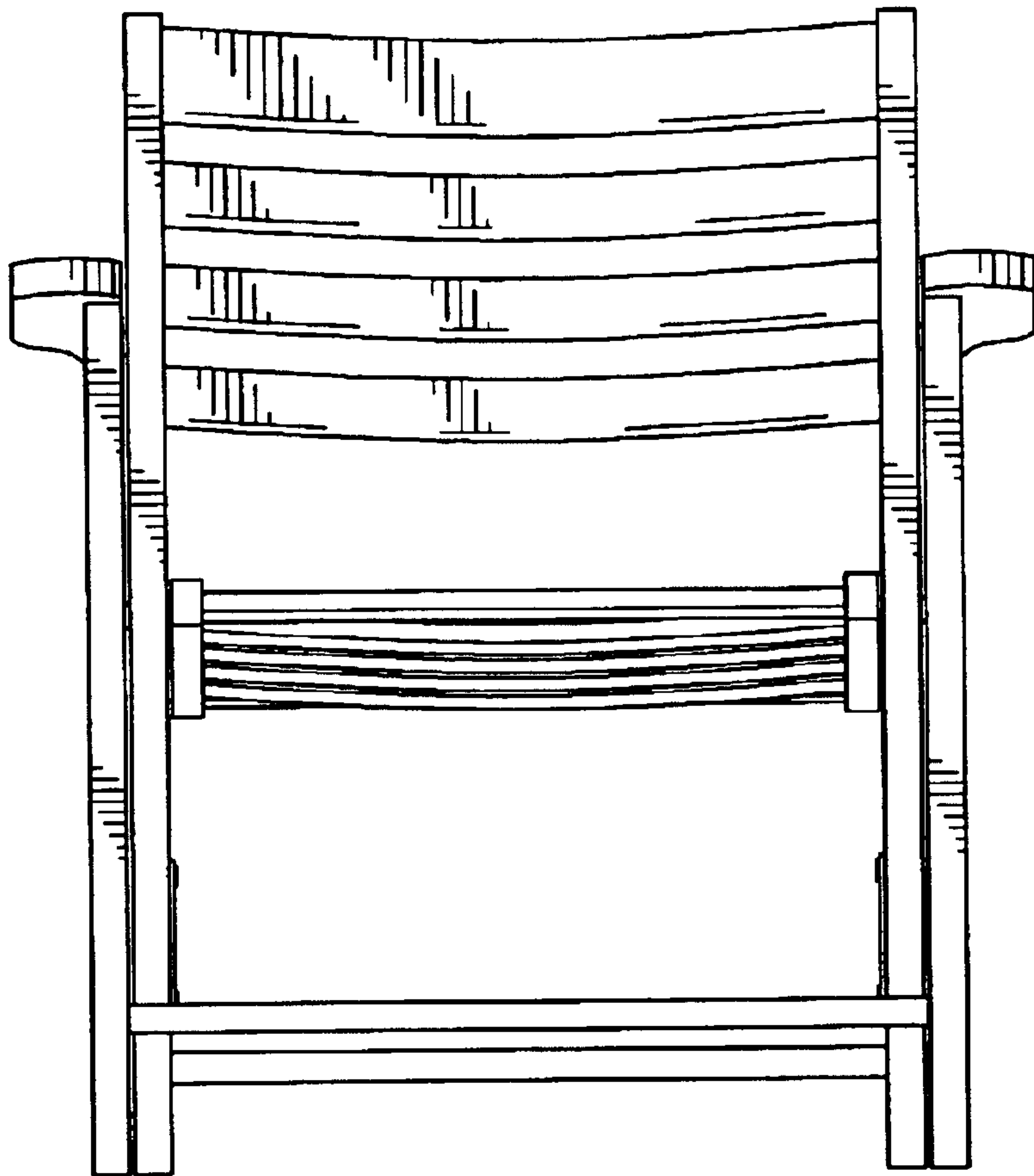
FIG. 7 is a bottom plan view of the folding chair shown in FIG. 1.

**1 Claim, 7 Drawing Sheets**

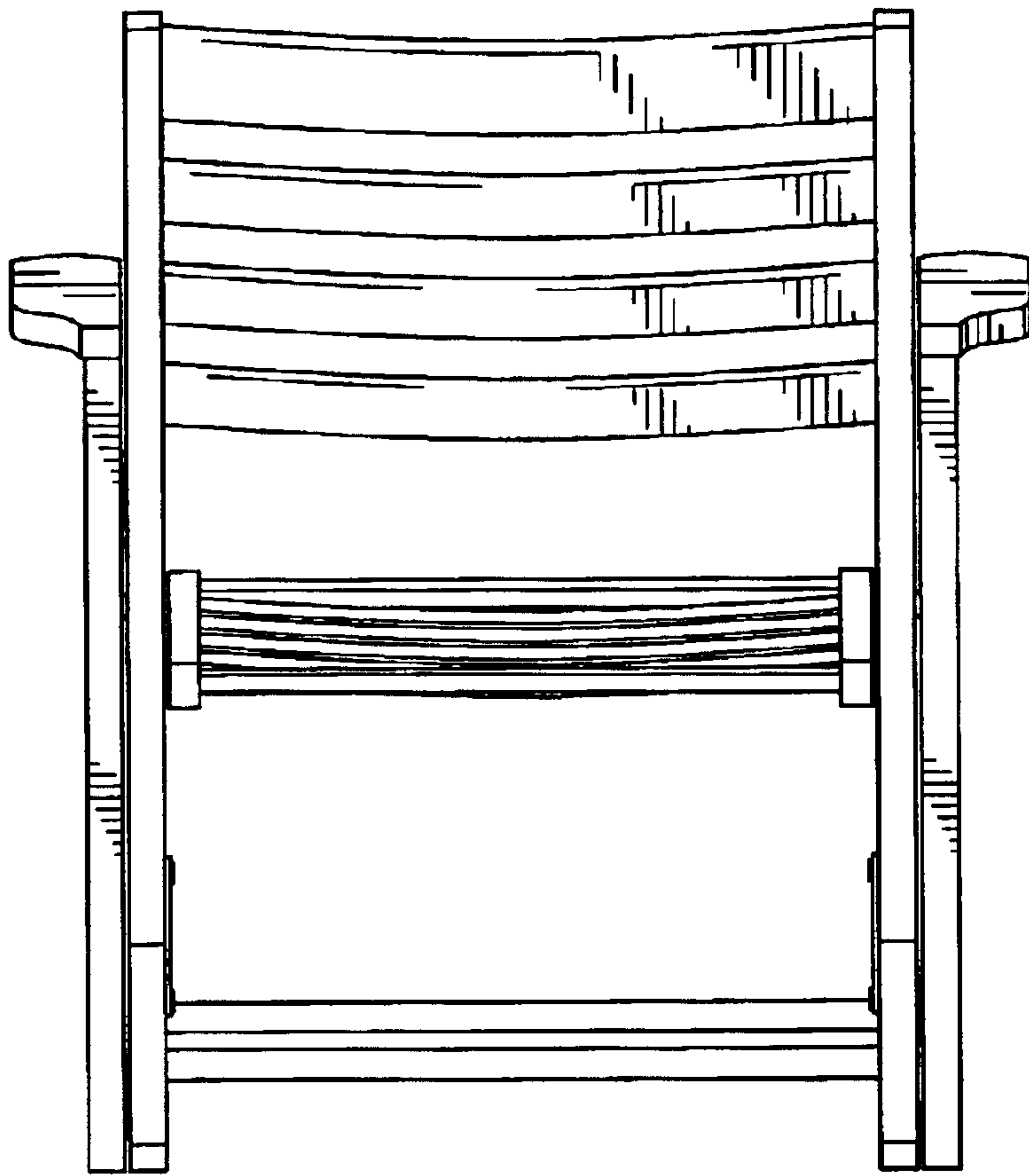




**FIG. 1**



**FIG. 2**



**FIG. 3**

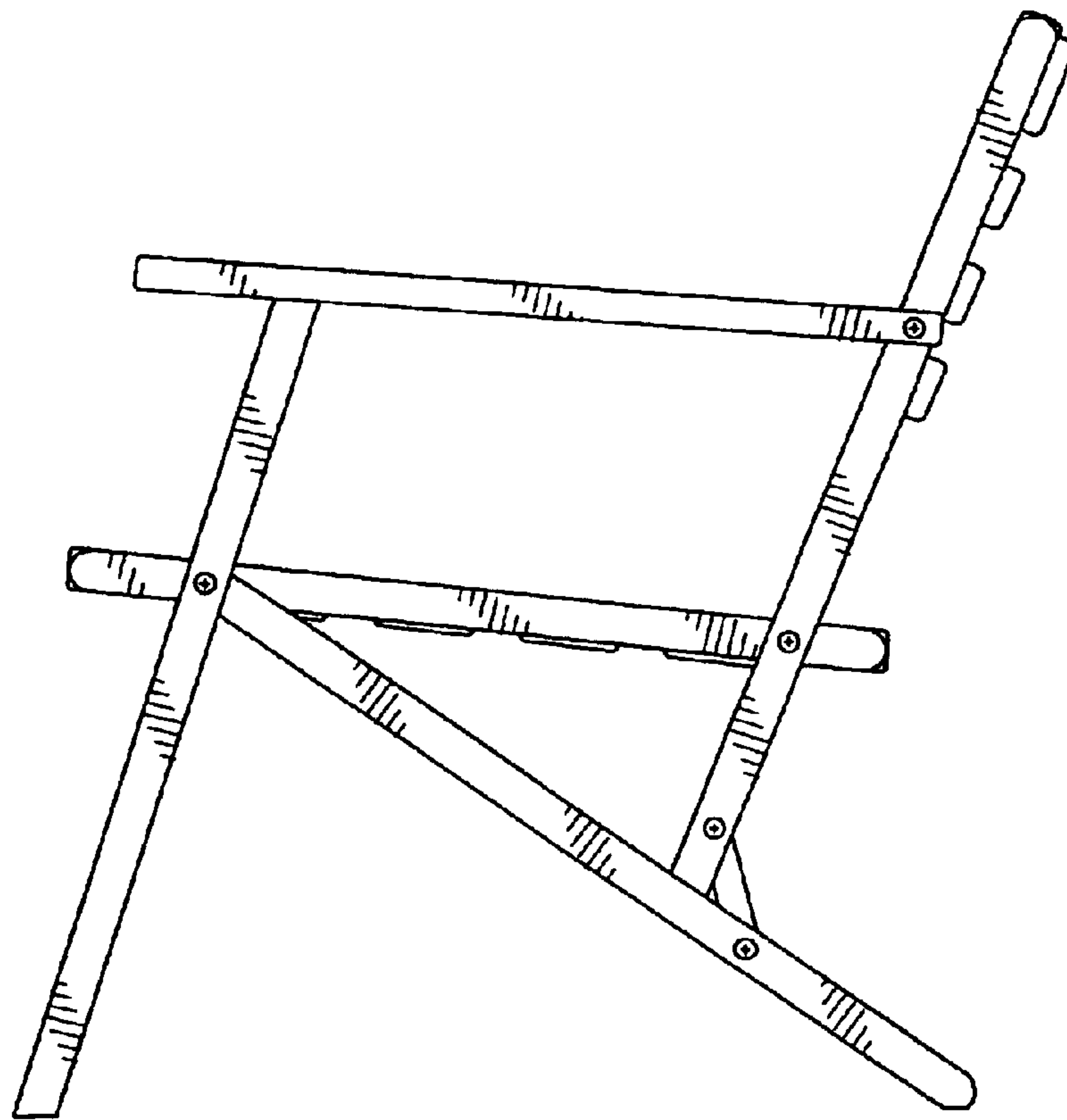
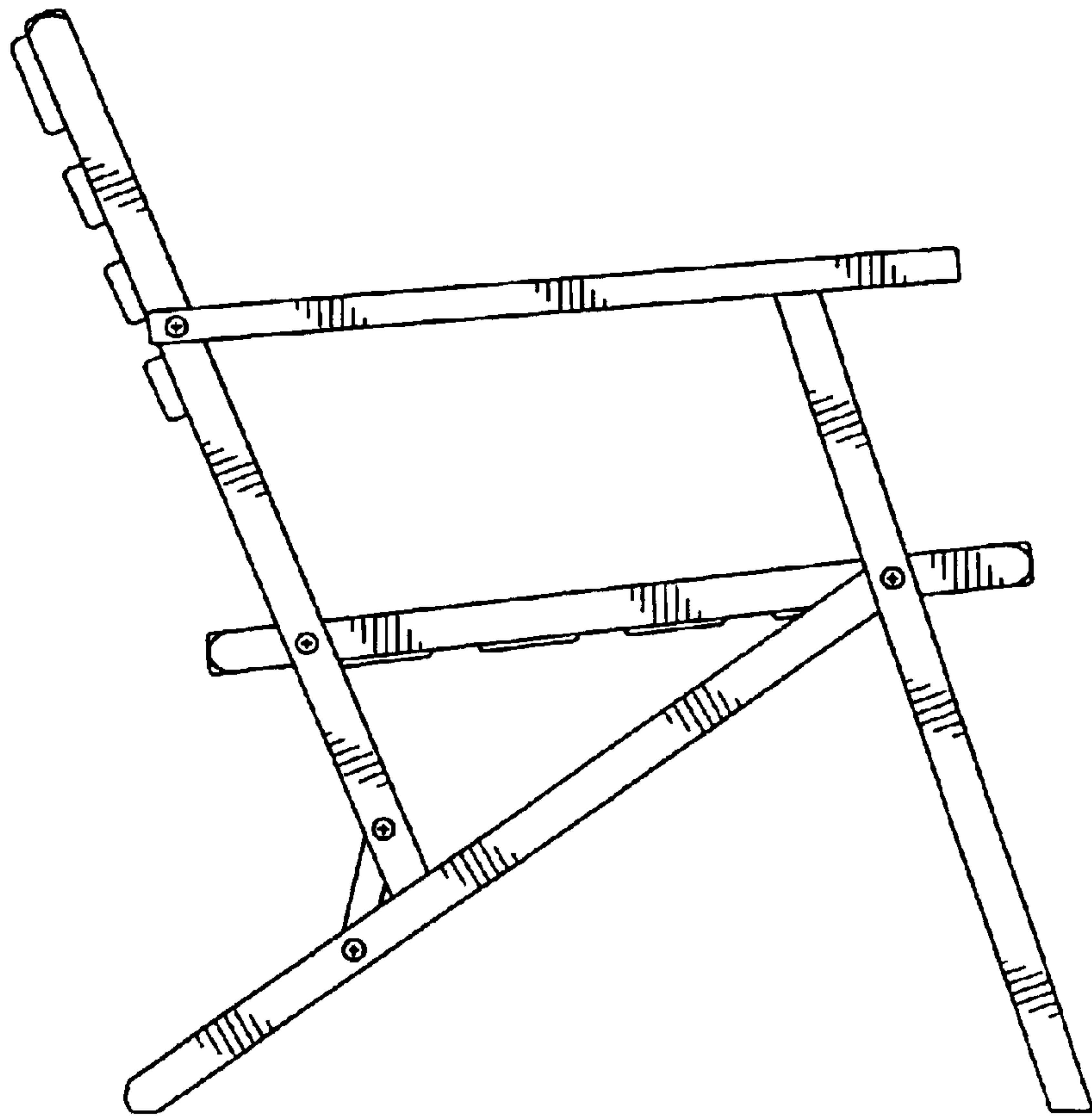
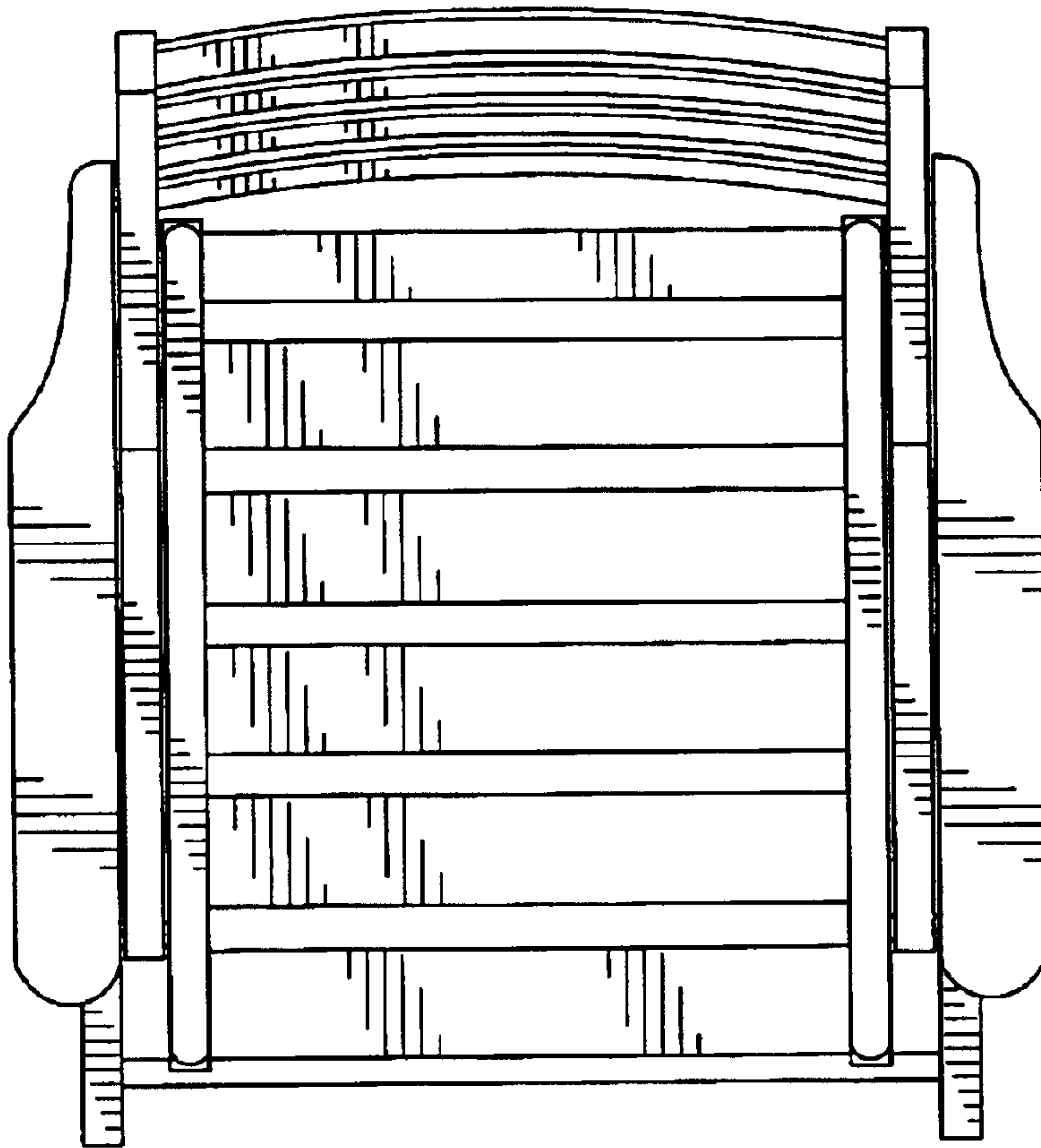


FIG. 4



**FIG. 5**



**FIG. 6**

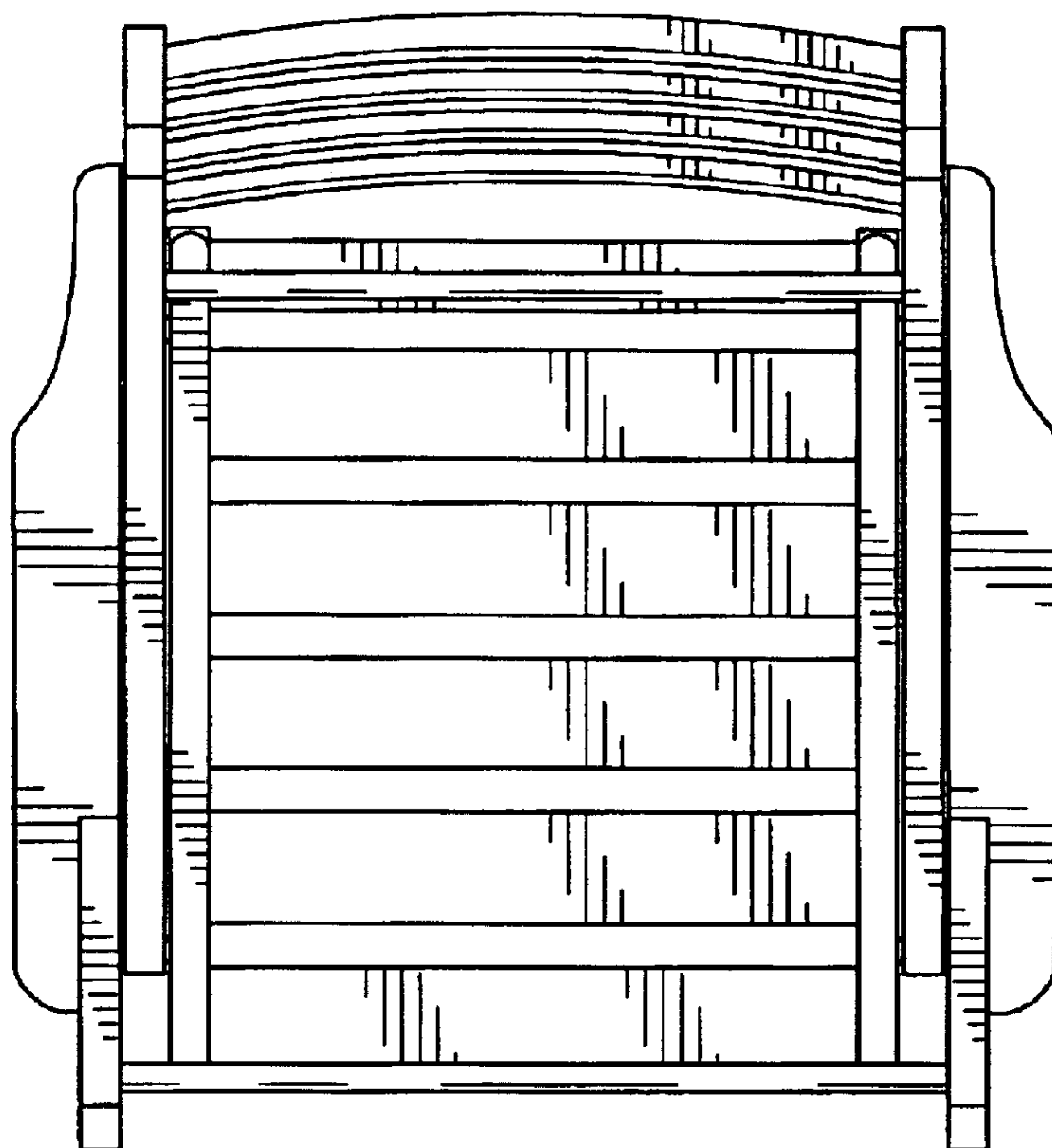


FIG. 7