



US00D489909S

(12) **United States Design Patent**
Ware et al.

(10) **Patent No.:** **US D489,909 S**

(45) **Date of Patent:** **** May 18, 2004**

(54) **GLIDER**

(75) Inventors: **Harold L. Ware**, 1435 Lakehurst, Ada, OK (US) 74820; **Dennis R. Beecham**, Lexington, TN (US)

(73) Assignee: **Harold L. Ware**, Ada, OK (US)

(**) Term: **14 Years**

(21) Appl. No.: **29/175,824**

(22) Filed: **Feb. 10, 2003**

(51) **LOC (7) Cl.** **06-01**

(52) **U.S. Cl.** **D6/344**

(58) **Field of Search** D6/334, 335, 344, D6/346, 347, 370, 381, 500-502; 297/273, 277, 232, 280, 281, 282, 287, 452.63, 244; 472/118, 125

(56) **References Cited**

U.S. PATENT DOCUMENTS

923,974 A	*	6/1909	Johnson	297/273
1,157,458 A		10/1915	Thompson		
1,241,951 A	*	10/1917	Fremaux	297/244
1,538,601 A	*	5/1925	Talbert	297/277
D80,736 S	*	3/1930	Lehman	29/175
1,815,185 A	*	7/1931	Cobb	297/281
D109,239 S	*	4/1938	Wolpin	D6/370
D135,694 S	*	5/1943	Smith	D6/347
D149,900 S	*	6/1948	Mock	D6/346
2,665,744 A		1/1954	Hodgson		
D174,900 S	*	6/1955	Flexer et al.	D6/370
D294,375 S	*	2/1988	Lowry	D21/521
4,784,383 A	*	11/1988	Roberts	472/125
5,120,071 A	*	6/1992	Thibault et al.	D6/370

5,366,273 A	*	11/1994	Bresch	297/452.63
5,749,623 A		5/1998	Mistry et al.		
D399,064 S	*	10/1998	Noll	D6/344
D399,071 S	*	10/1998	Noll	D6/370
D408,639 S	*	4/1999	Noll	D6/347

* cited by examiner

Primary Examiner—Doris V. Coles

Assistant Examiner—Mimosa De

(74) *Attorney, Agent, or Firm*—Dunlap, Coddling & Rogers, P.C.

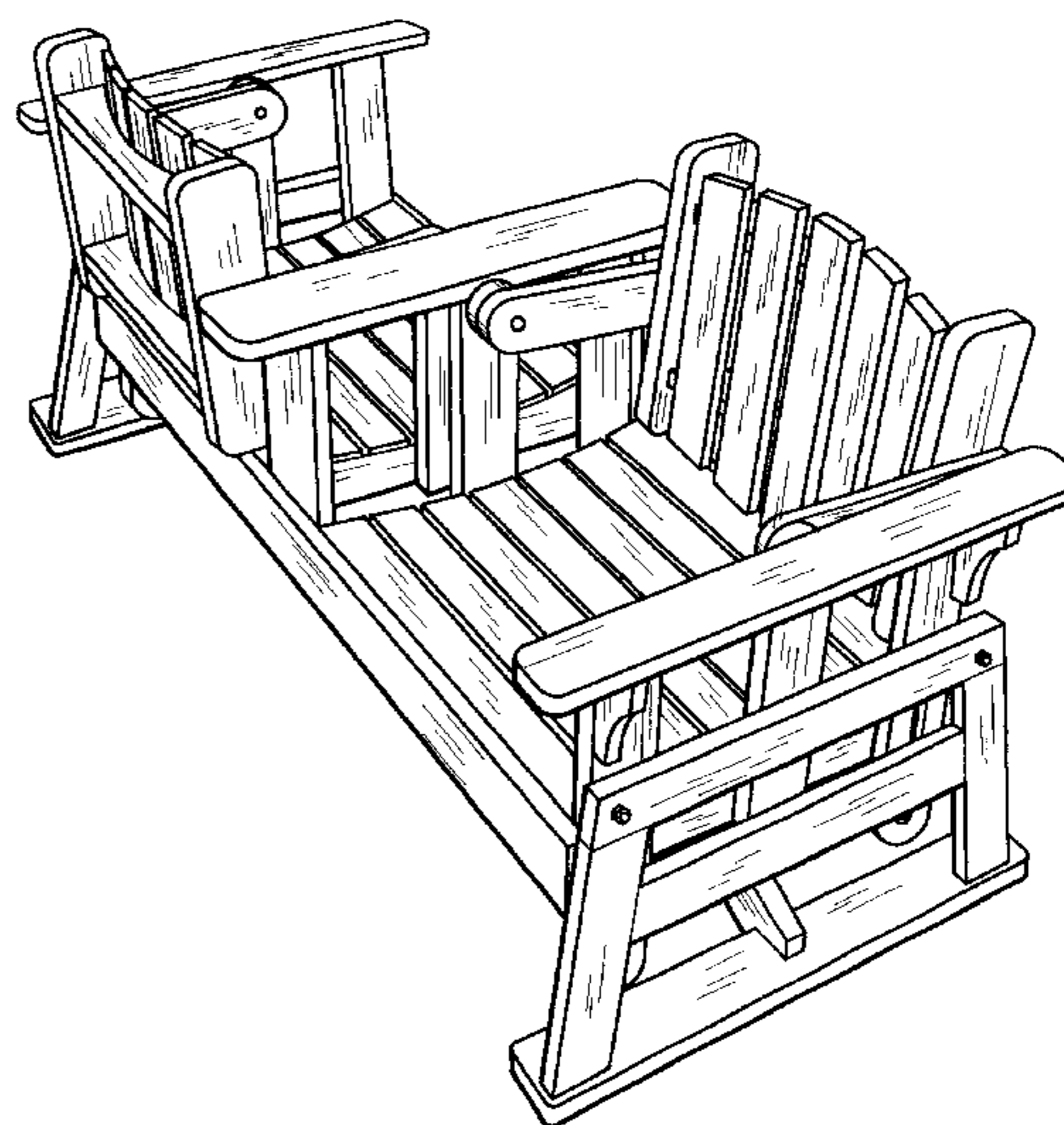
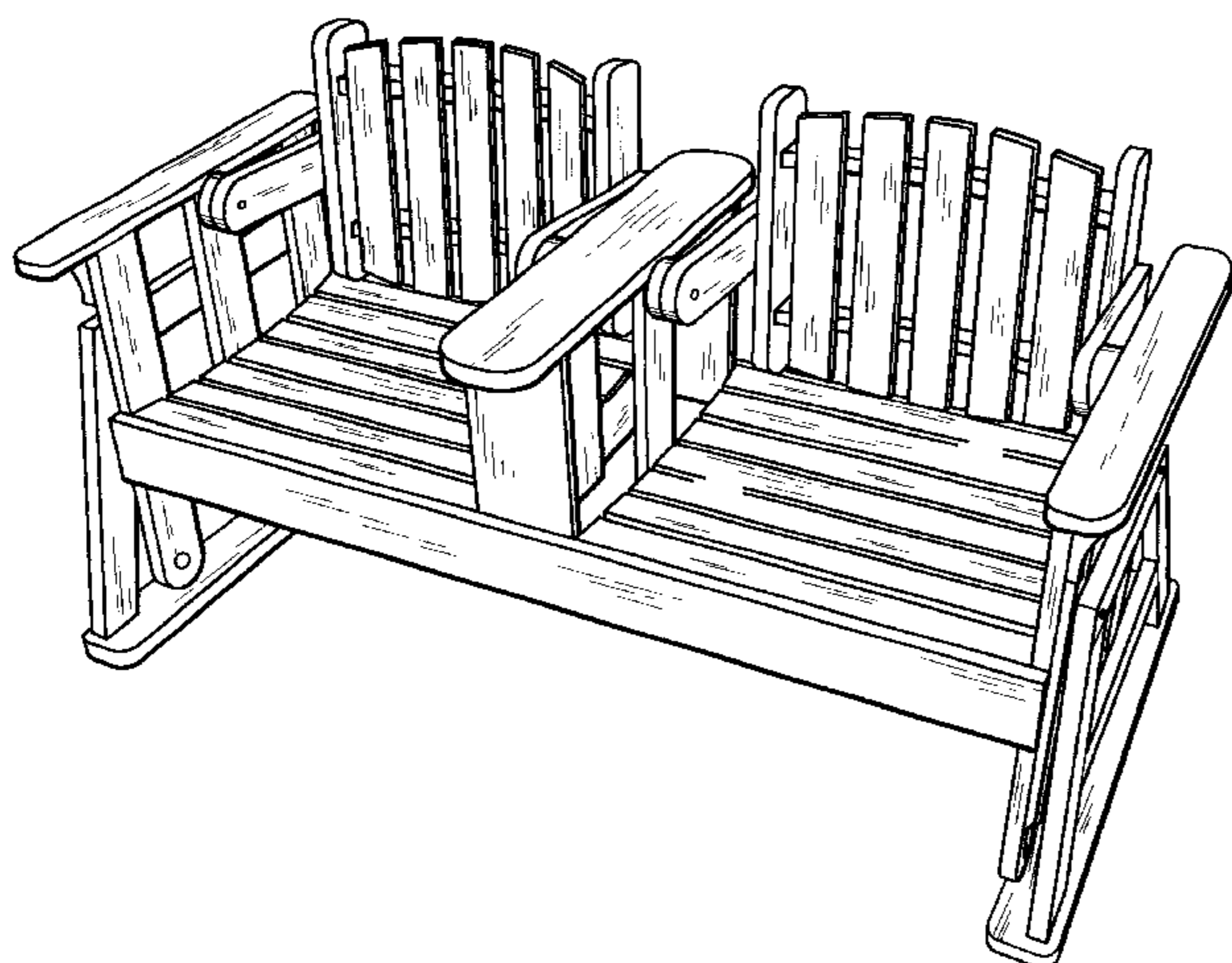
(57) **CLAIM**

The ornamental design for a glider, as shown and described.

DESCRIPTION

FIG. 1 is a perspective view of a first embodiment of a glider showing our new design;
 FIG. 2 is a front elevational view thereof;
 FIG. 3 is a rear elevational view thereof;
 FIG. 4 is a top plan view thereof;
 FIG. 5 is a bottom plan view thereof;
 FIG. 6 is an elevational view of one side thereof, the opposite side being a mirror image thereof;
 FIG. 7 is a perspective view of a second embodiment wherein one back support assembly of the glider thereof has been rotated to be in a facing relationship with the other back support assembly;
 FIG. 8 is a front elevational view thereof, the rear elevational view being a mirror image thereof;
 FIG. 9 is a top plan view thereof;
 FIG. 10 is a bottom plan view thereof; and,
 FIG. 11 is an elevational view of one end thereof, the opposite end being a mirror image thereof.

1 Claim, 6 Drawing Sheets



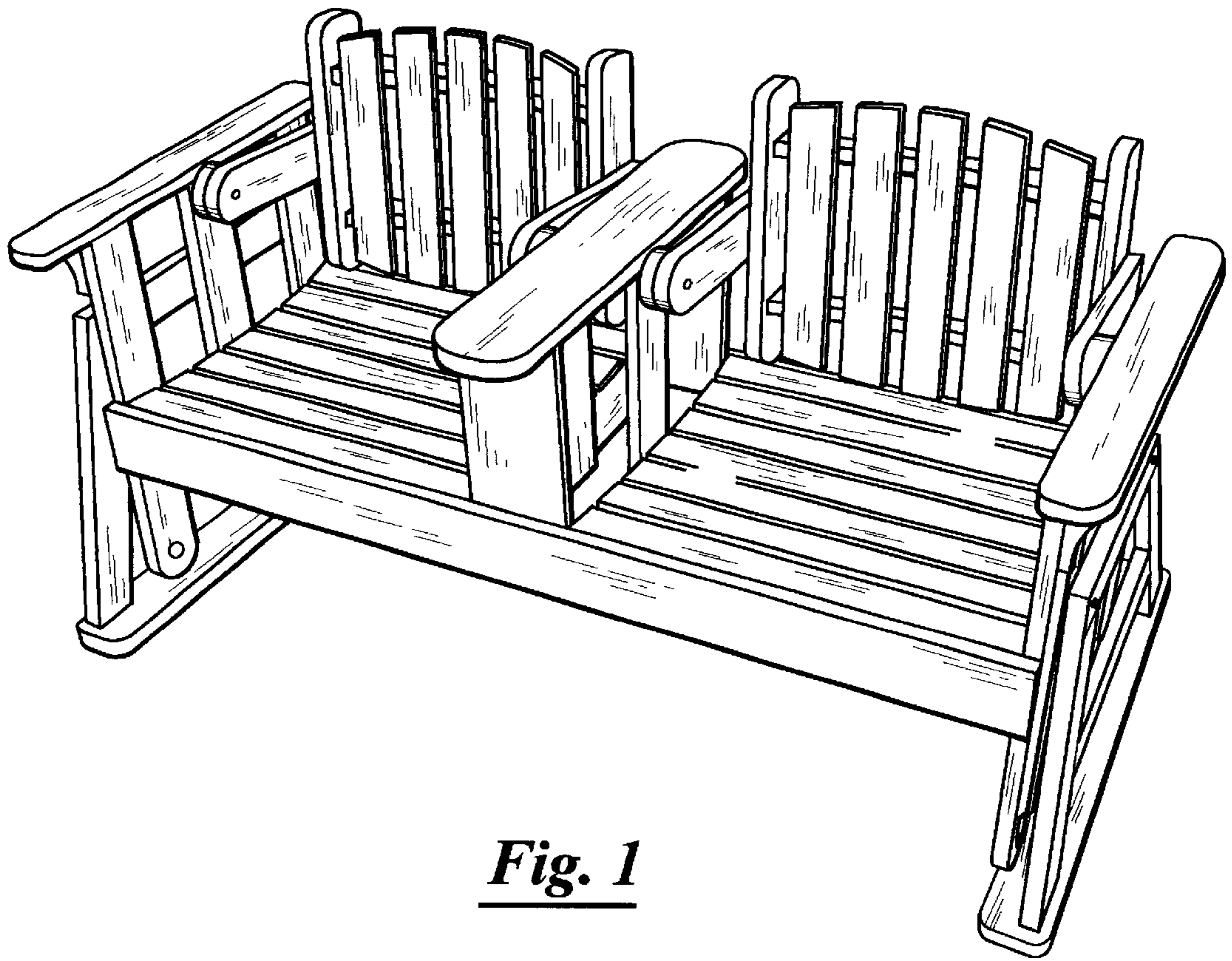


Fig. 1

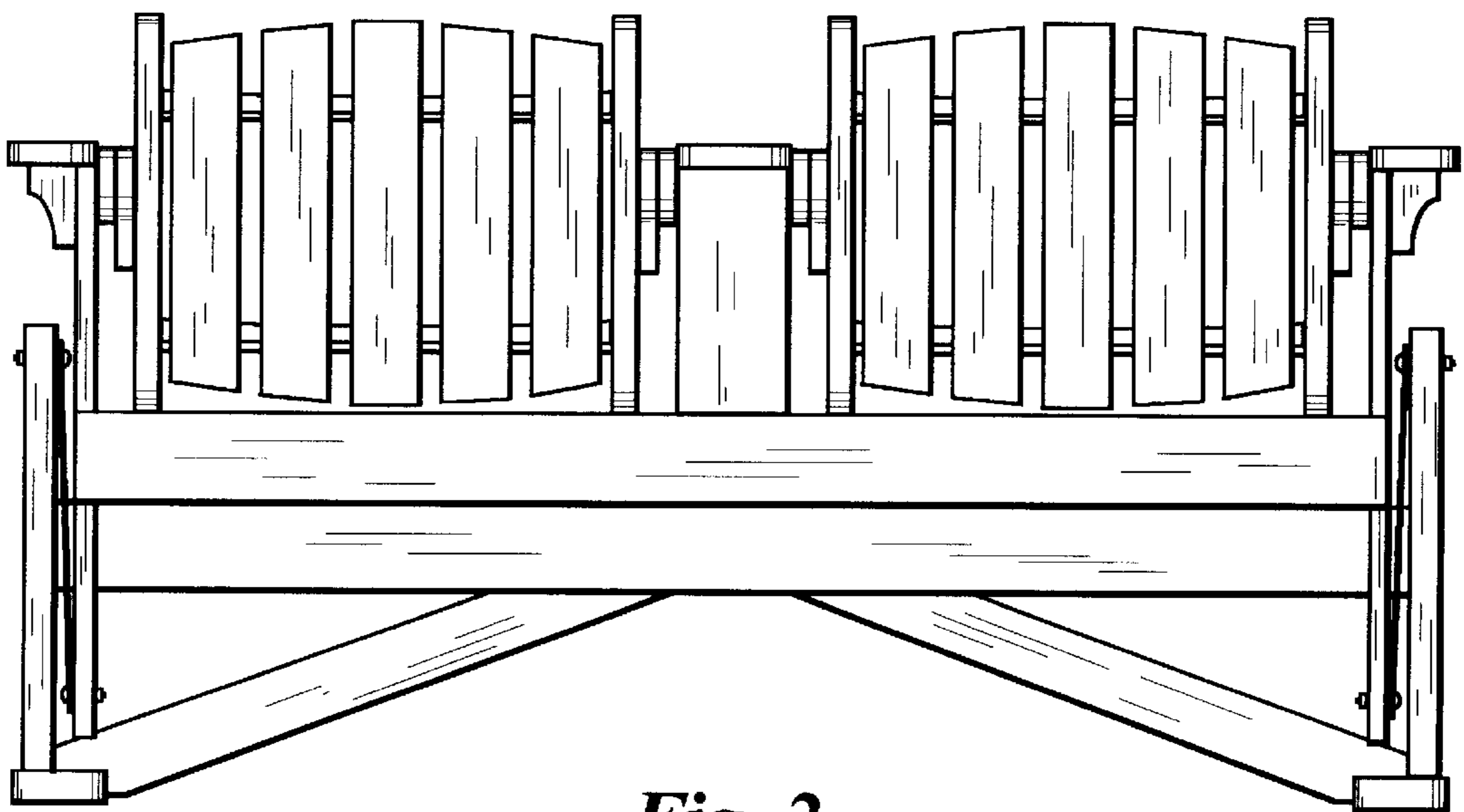


Fig. 2

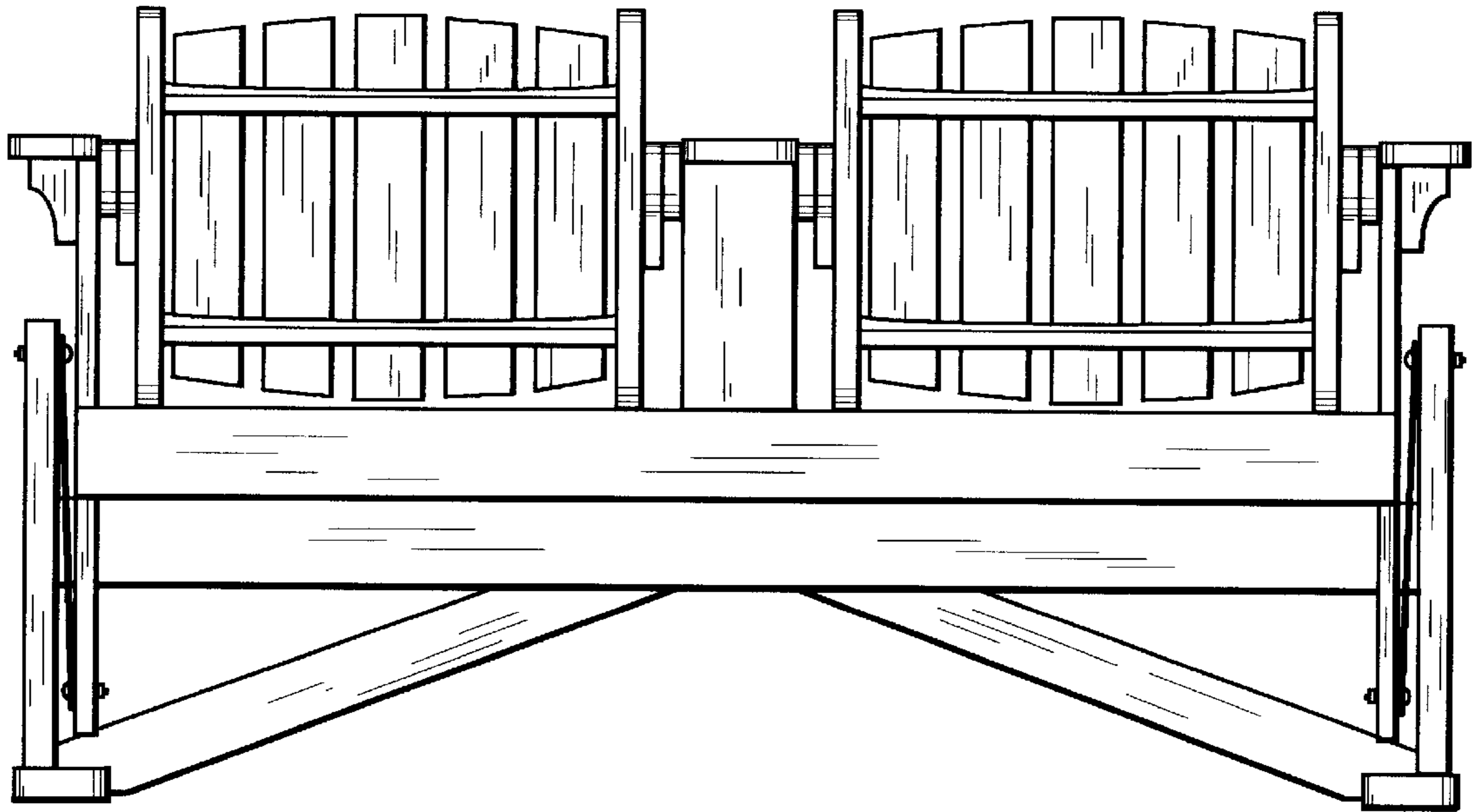


Fig. 3

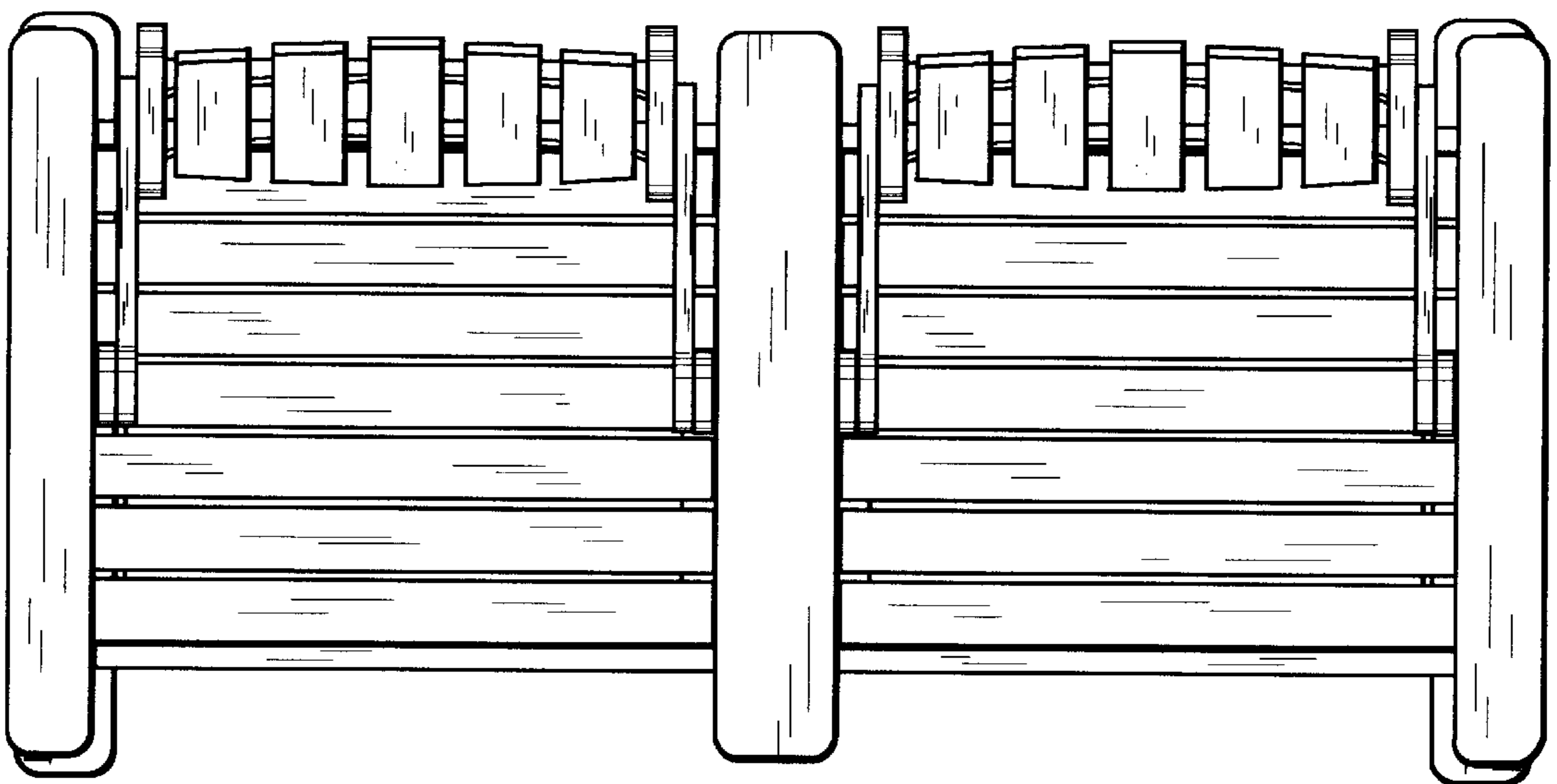


Fig. 4

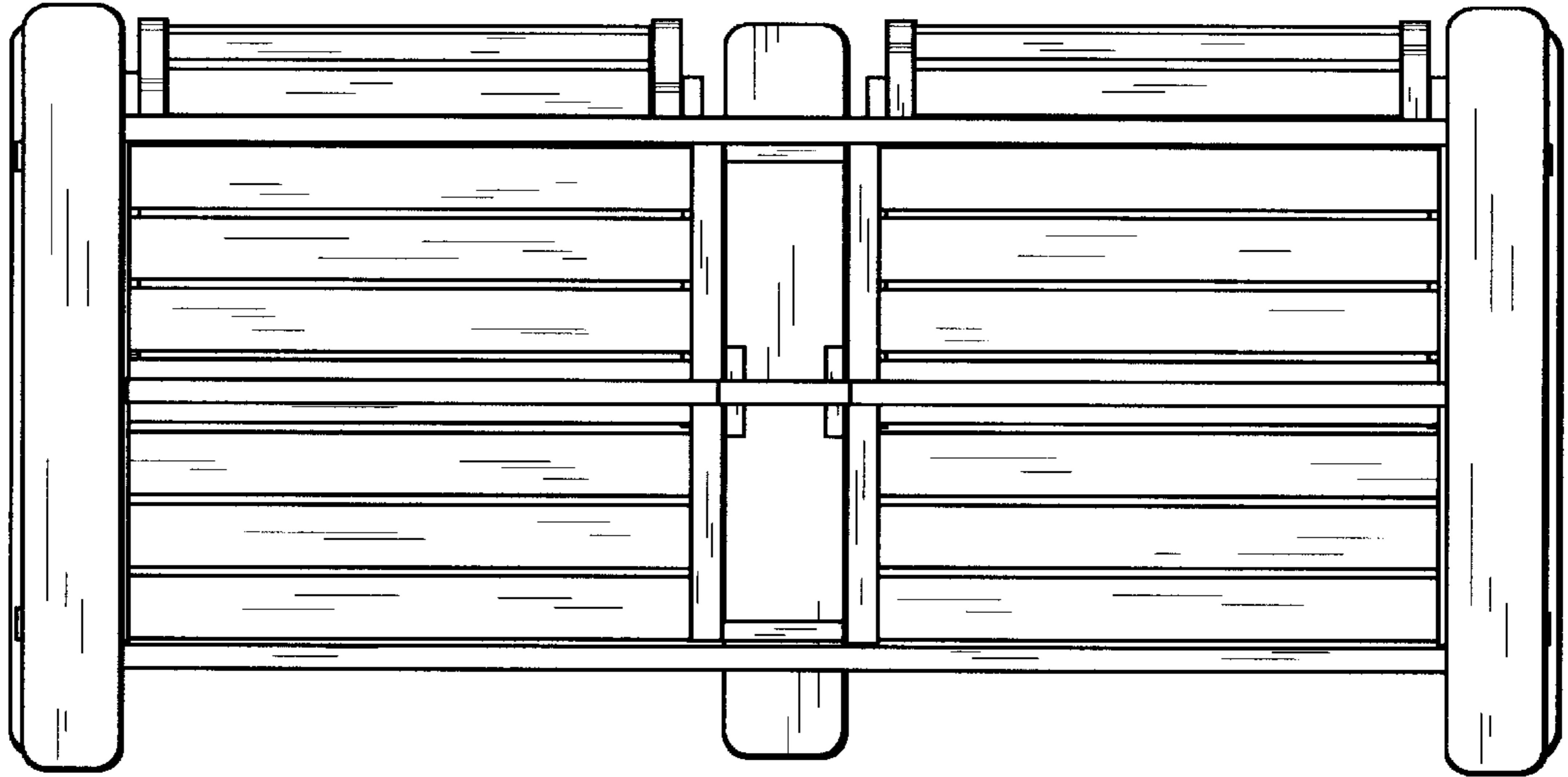


Fig. 5

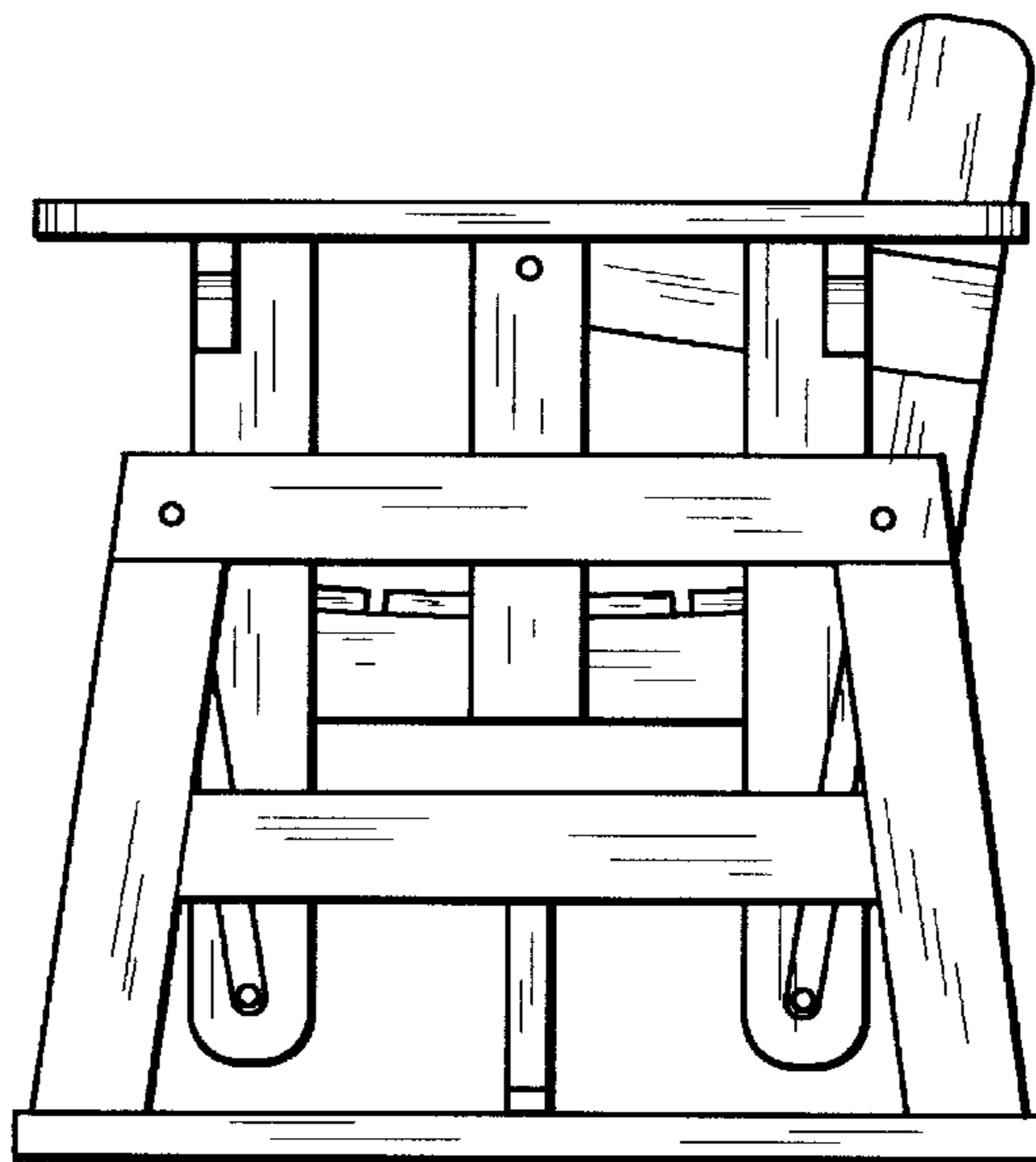


Fig. 6

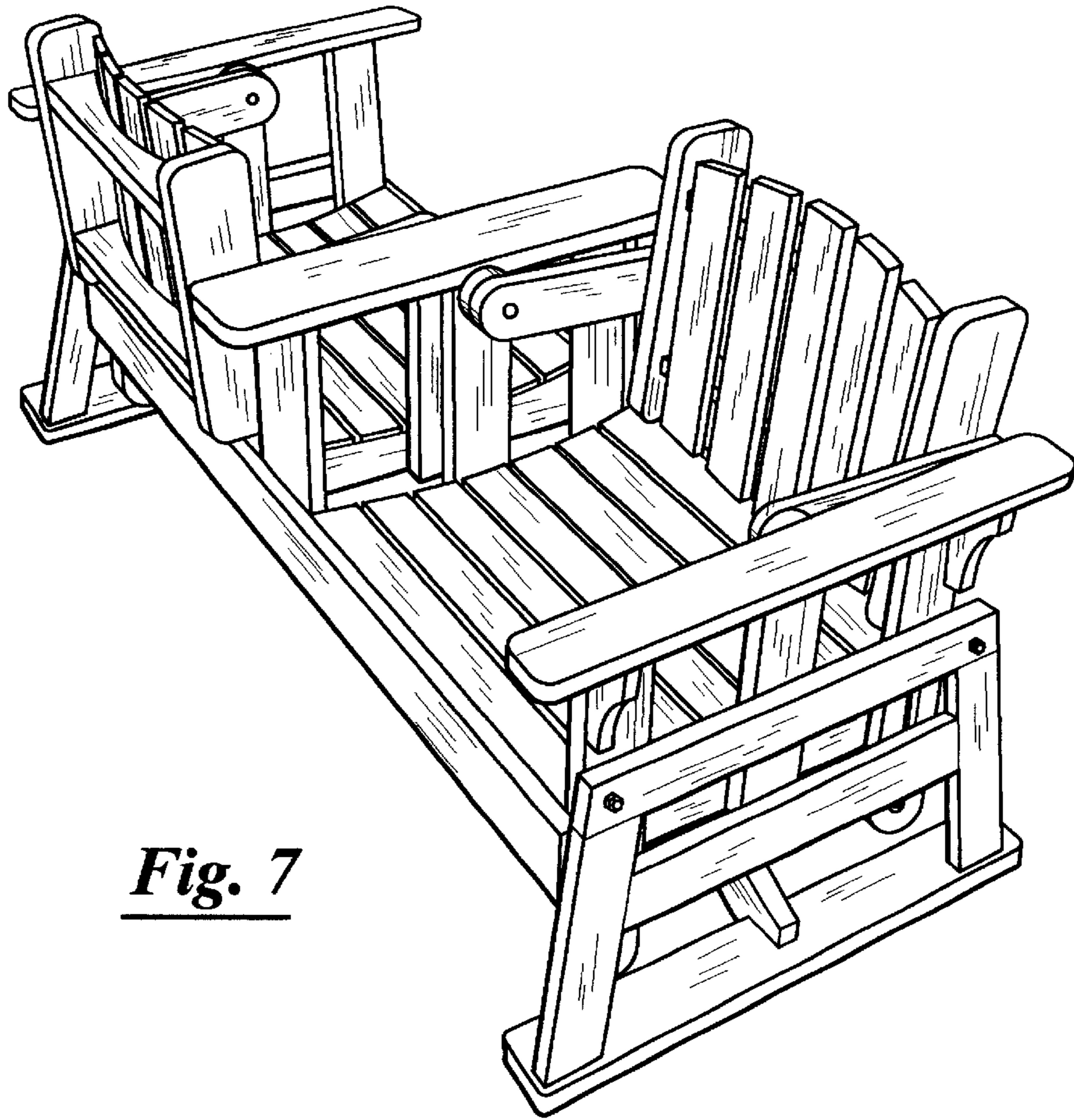


Fig. 7

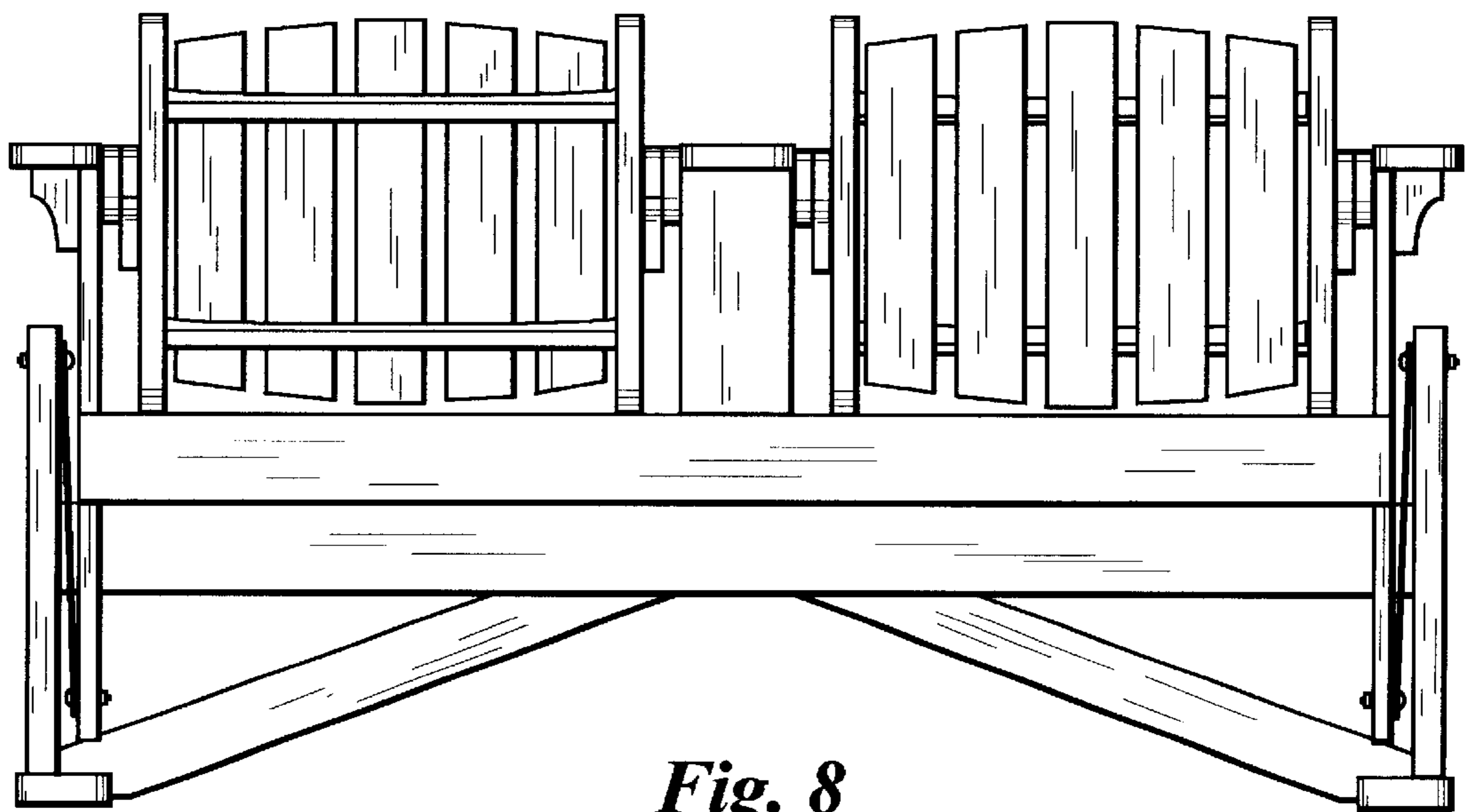


Fig. 8

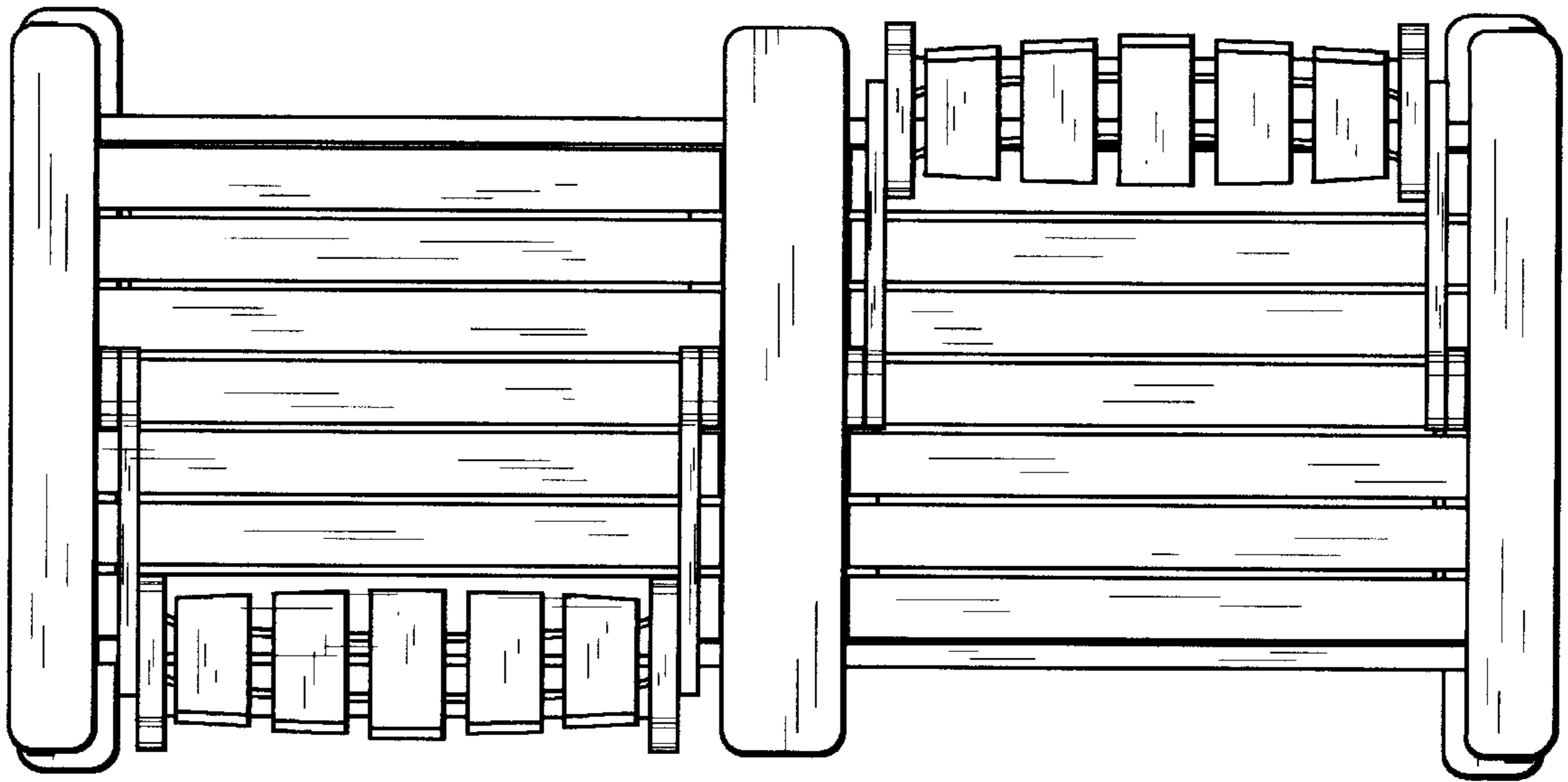


Fig. 9

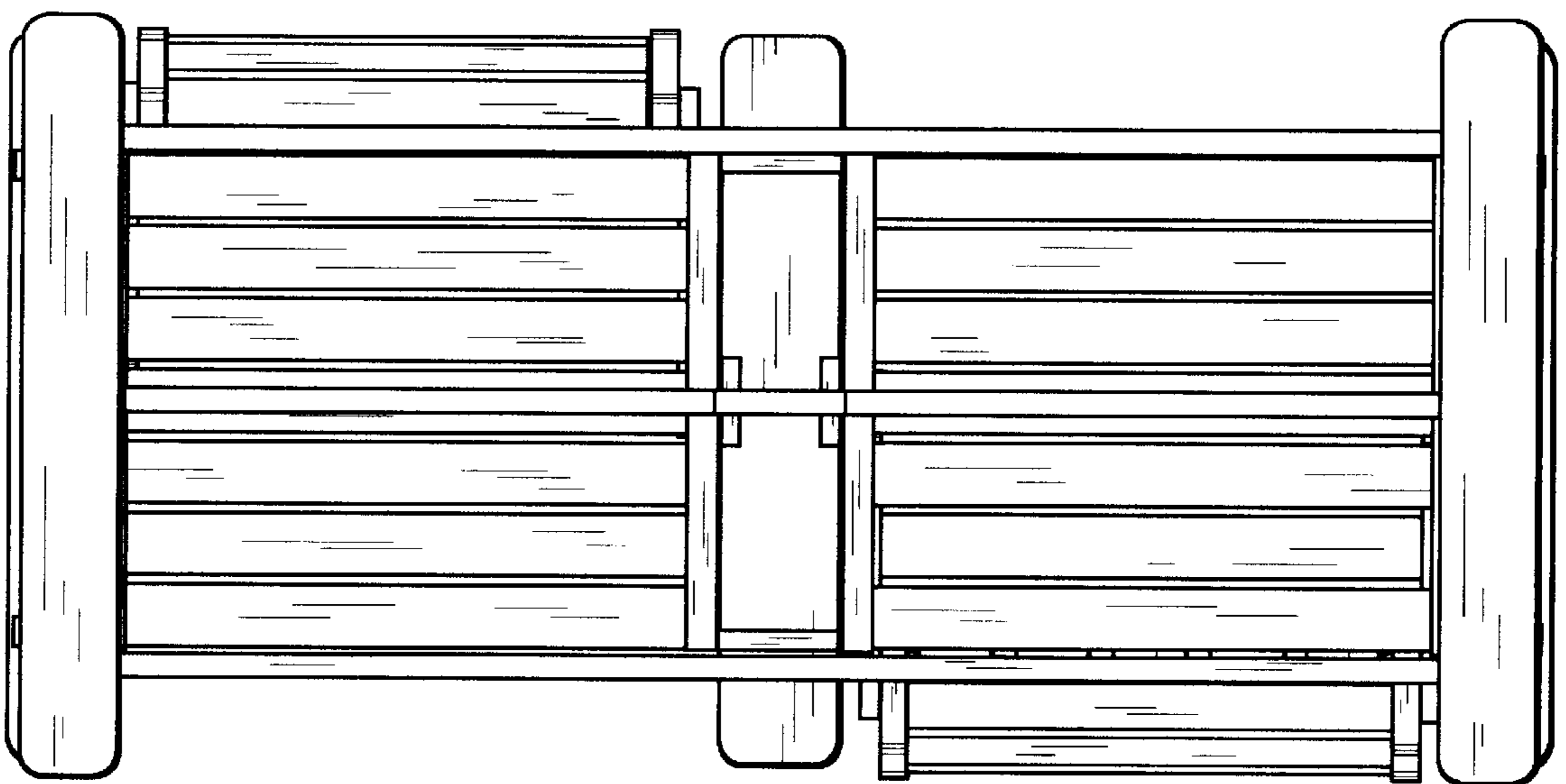


Fig. 10

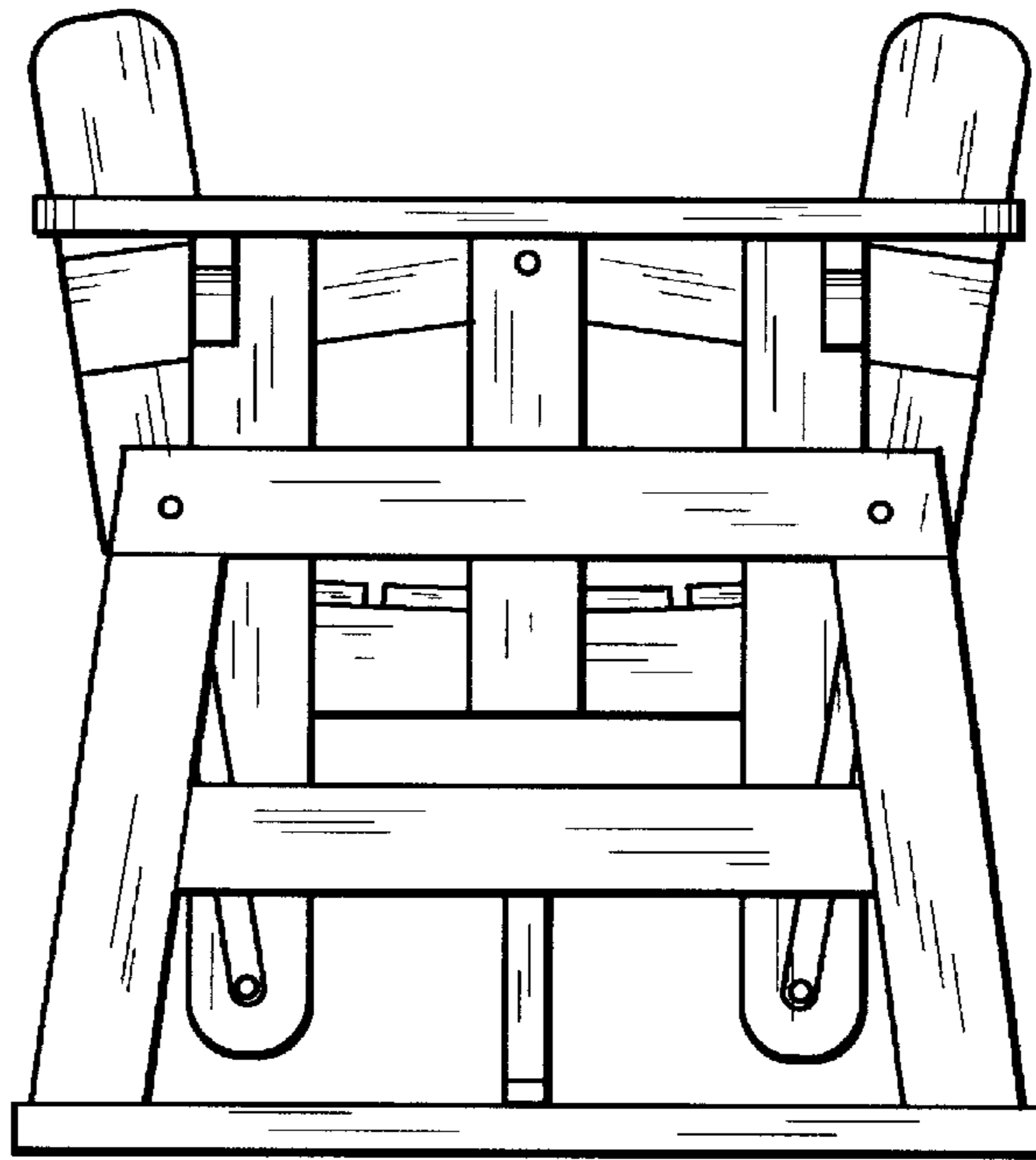


Fig. 11