



US00D489899S

(12) **United States Design Patent**
Carter

(10) **Patent No.:** **US D489,899 S**

(45) **Date of Patent:** **** May 18, 2004**

(54) **CARRYING CASE**

(76) **Inventor:** **James M. Carter**, 5630 Lassiter Rd.,
Las Cruces, NM (US) 88001

(**) **Term:** **14 Years**

6,106,015 A	8/2000	Udwin et al.	281/29
D434,938 S	* 12/2000	Hillman	D6/633
D455,930 S	* 4/2002	Eskandry	D6/631
D459,887 S	* 7/2002	Johnson	D3/303
D460,261 S	* 7/2002	Fair	D3/301
D463,114 S	9/2002	Carter	D3/218

(21) **Appl. No.:** **29/181,195**

(22) **Filed:** **May 6, 2003**

(51) **LOC (7) Cl.** **03-01**

(52) **U.S. Cl.** **D3/301; D6/632**

(58) **Field of Search** D3/301, 218, 273,
D3/289, 201; D6/630, 632, 633, 634; 26/308.1,
308.2, 310

(56) **References Cited**

U.S. PATENT DOCUMENTS

D247,069 S	*	1/1978	Siris	D3/319
D278,859 S	*	5/1985	Katz et al.	D3/301
D330,456 S	*	10/1992	Lehman	D6/631
D337,652 S		7/1993	Vierra	D6/633
D350,448 S	*	9/1994	Hill	D6/630
D386,014 S	*	11/1997	Chen	D6/407
D389,001 S	*	1/1998	Alves	D6/634
D407,432 S	*	3/1999	Tell	D19/26
D409,378 S		5/1999	Lidsky	D3/218
D414,935 S	*	10/1999	Bould	D3/301
D427,766 S	*	7/2000	Hillman	D3/218

OTHER PUBLICATIONS

Cyberguys.com catalog on Google catalogs, p. 23 Case logic cd cases.*

* cited by examiner

Primary Examiner—Philip S. Hyder

(74) *Attorney, Agent, or Firm*—DeWitt M. Morgan

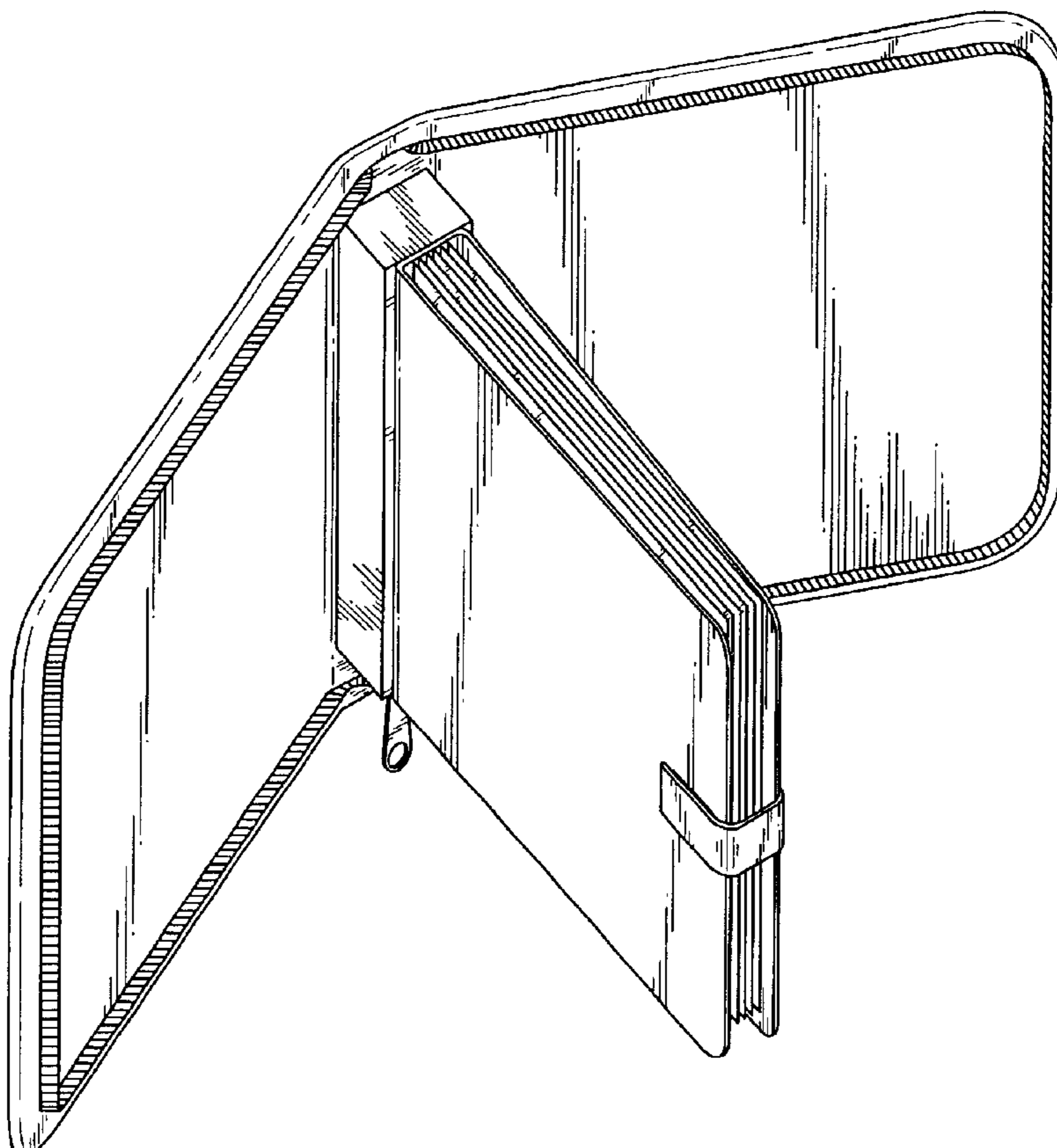
(57) **CLAIM**

I claim the ornamental design for a carrying case, as shown.

DESCRIPTION

FIG. 1 is a perspective view;
FIG. 2. is the front view;
FIG. 3. is the rear view;
FIG. 4 is the right side view;
FIG. 5 is the left side view;
FIG. 6 is the top view; and,
FIG. 7 is the bottom view.

1 Claim, 6 Drawing Sheets



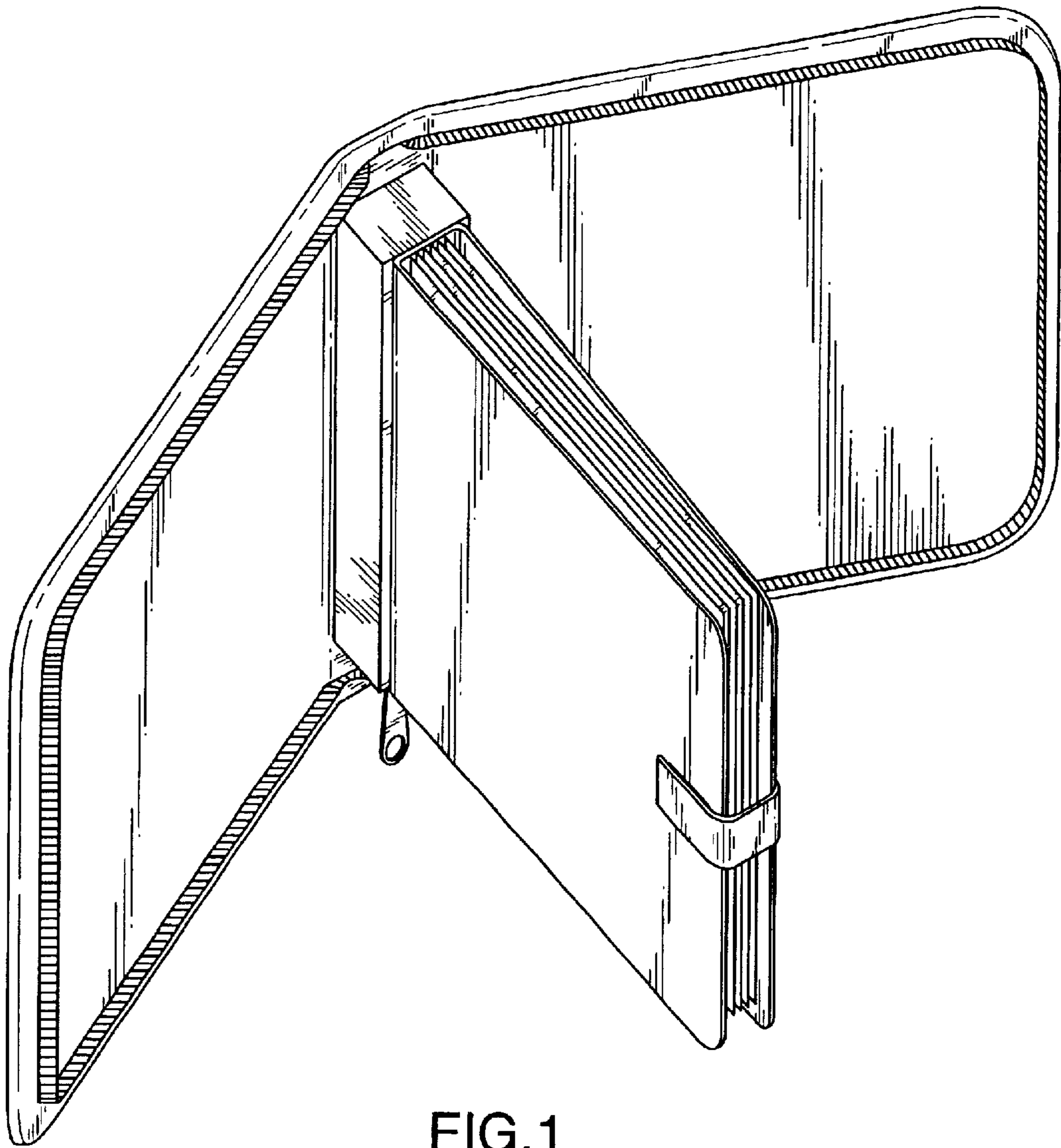


FIG.1

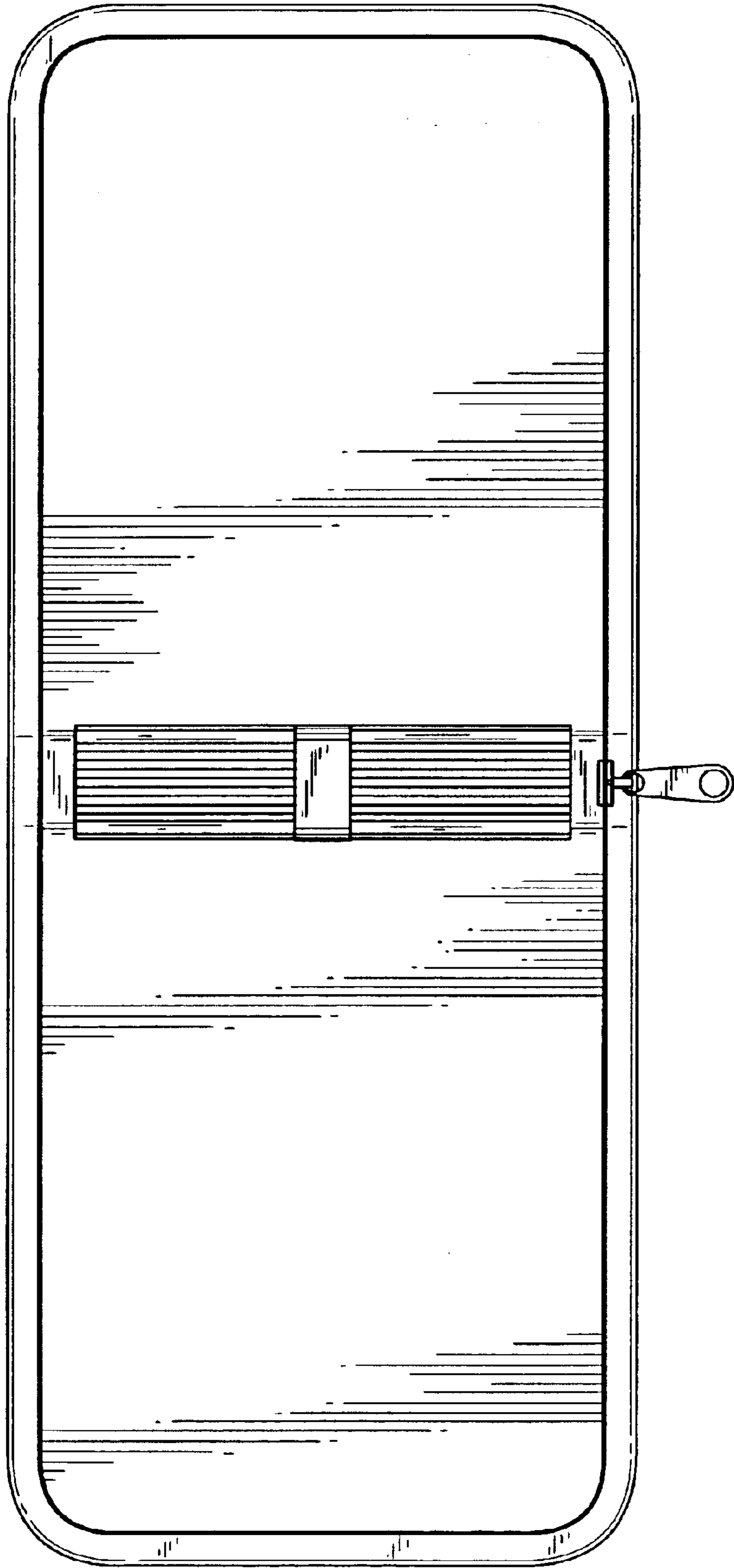


FIG.2

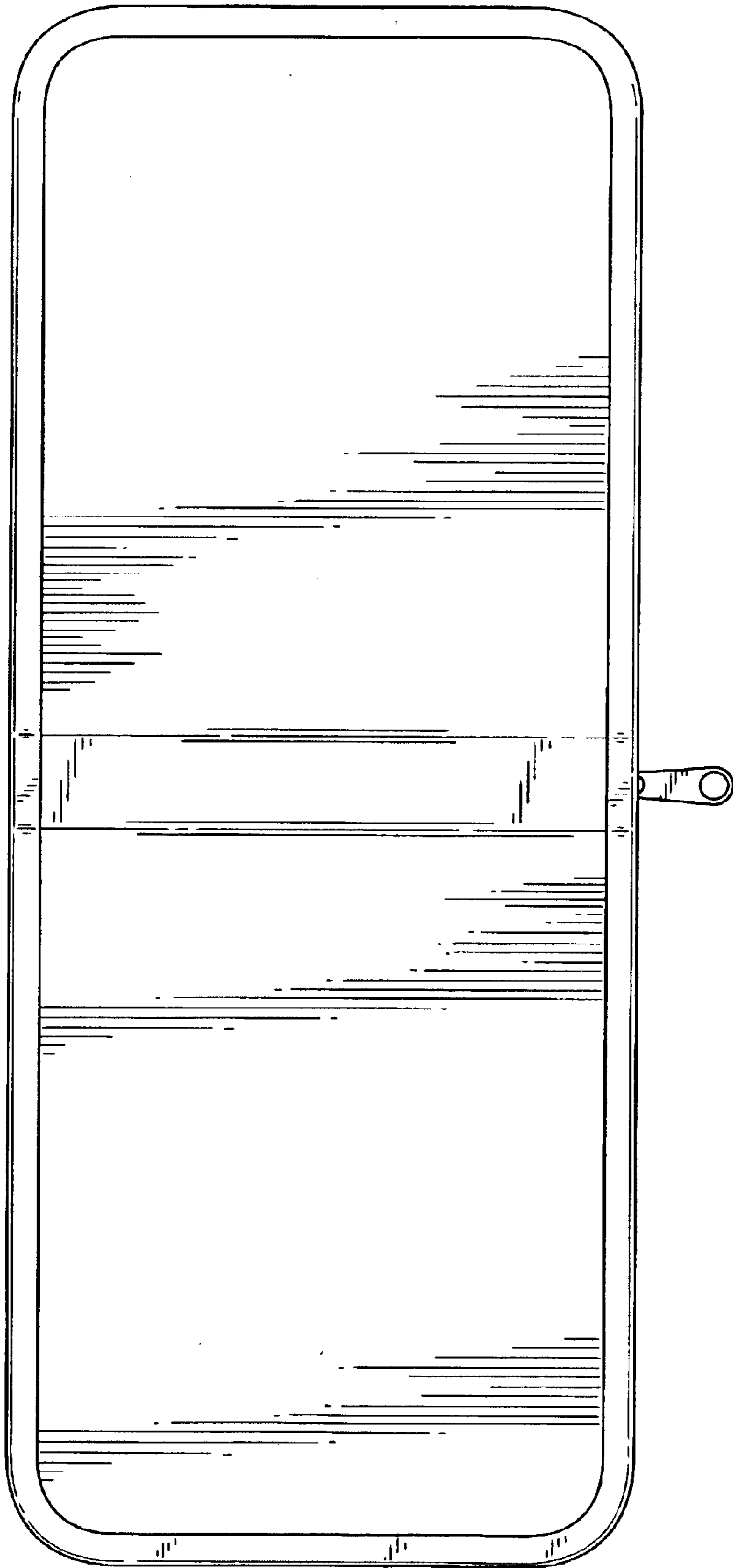


FIG.3

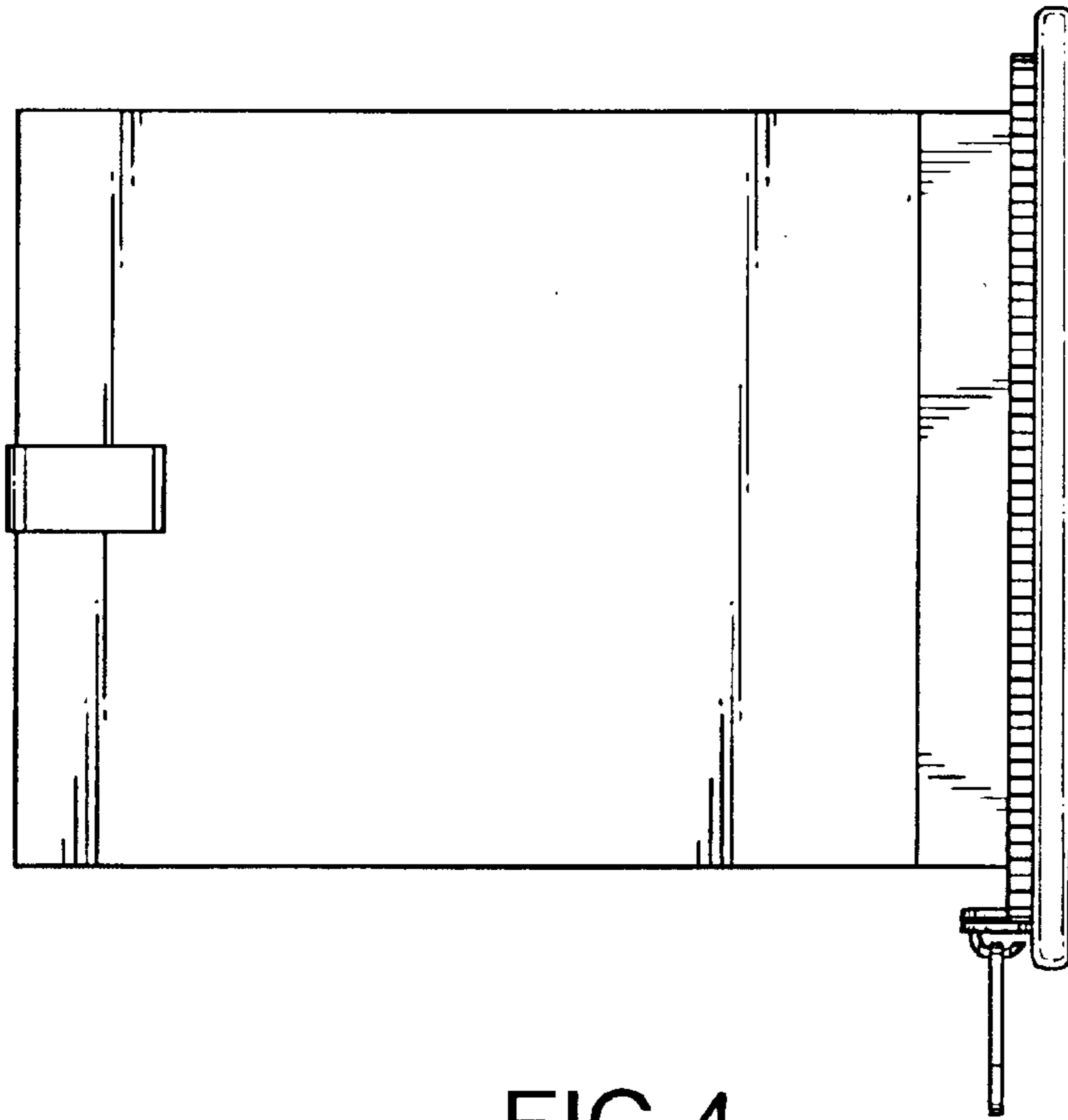


FIG. 4

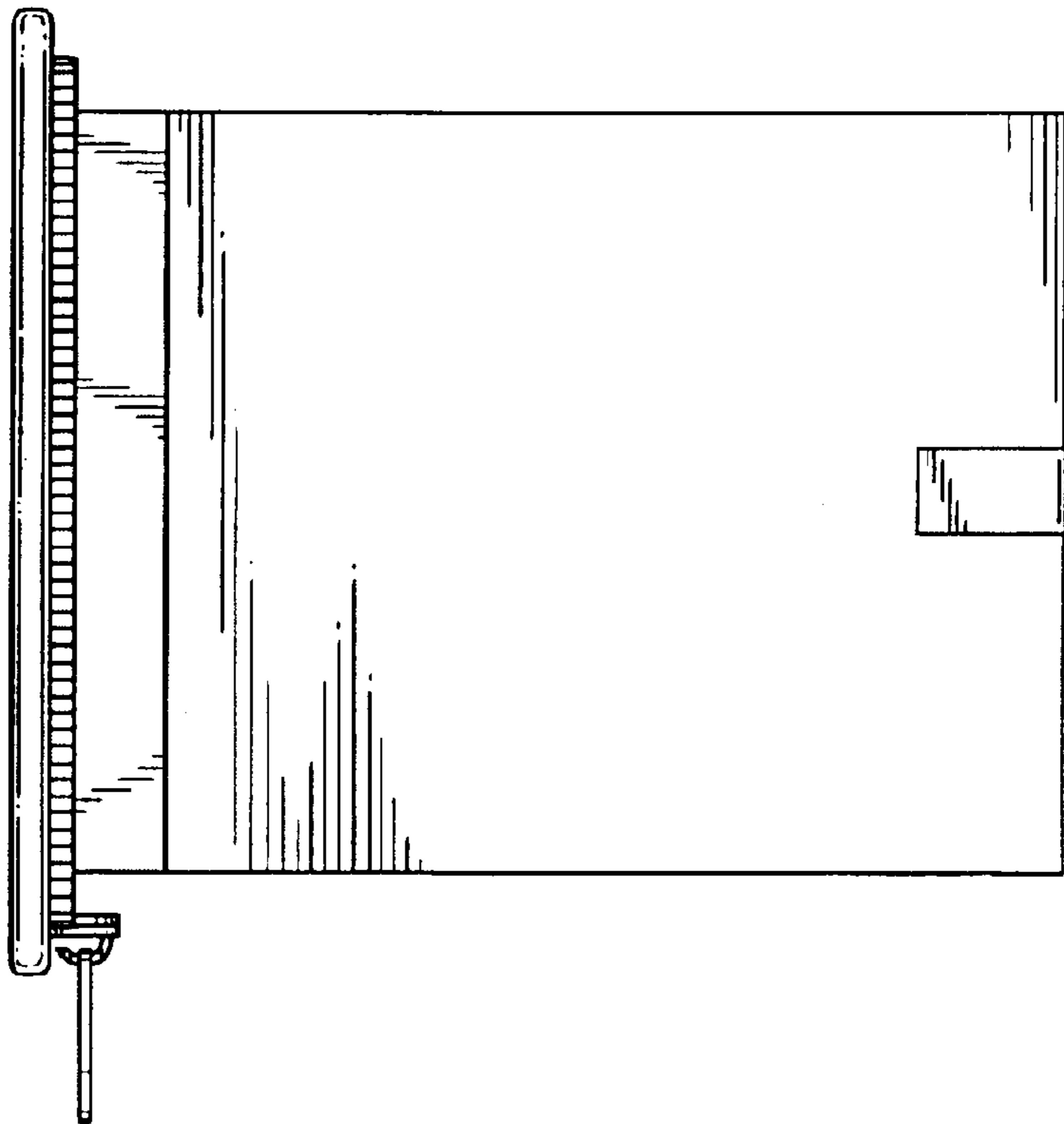


FIG. 5

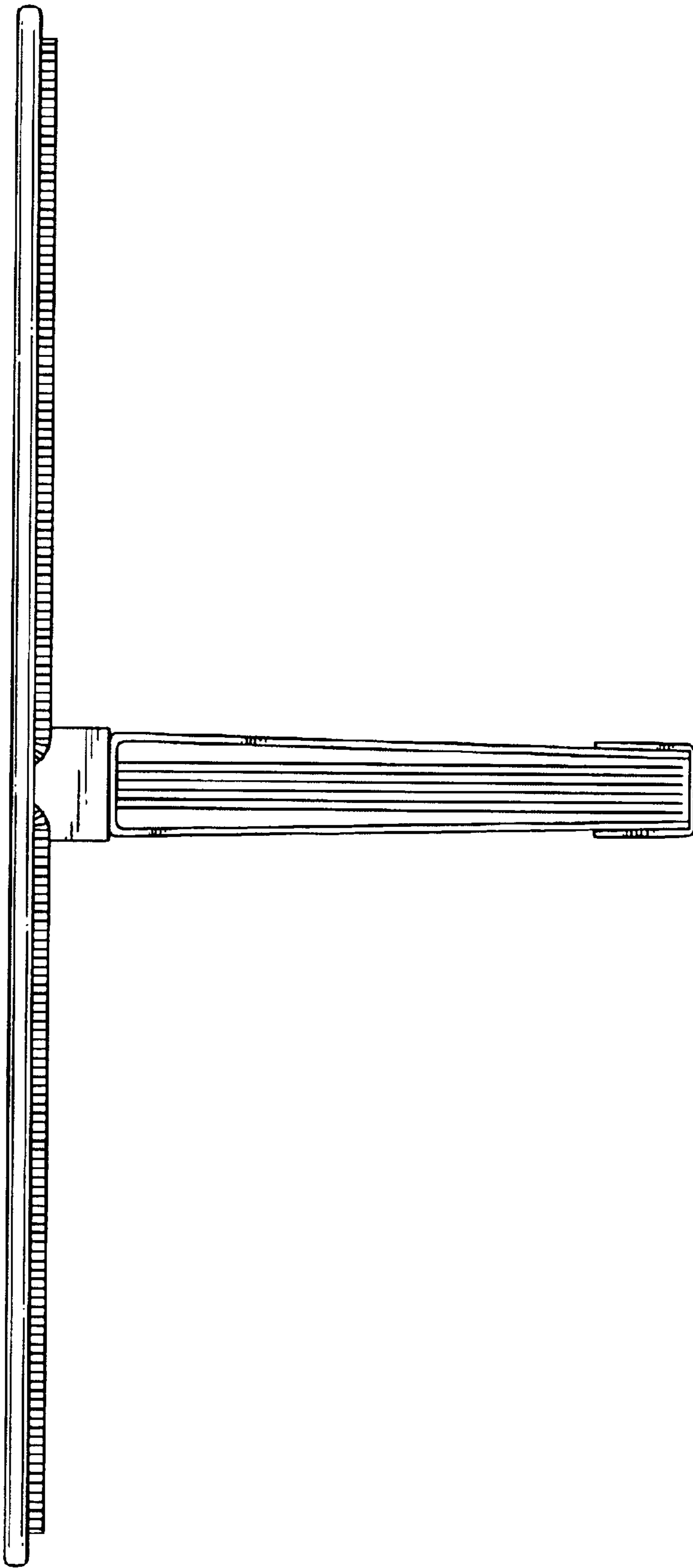


FIG.6

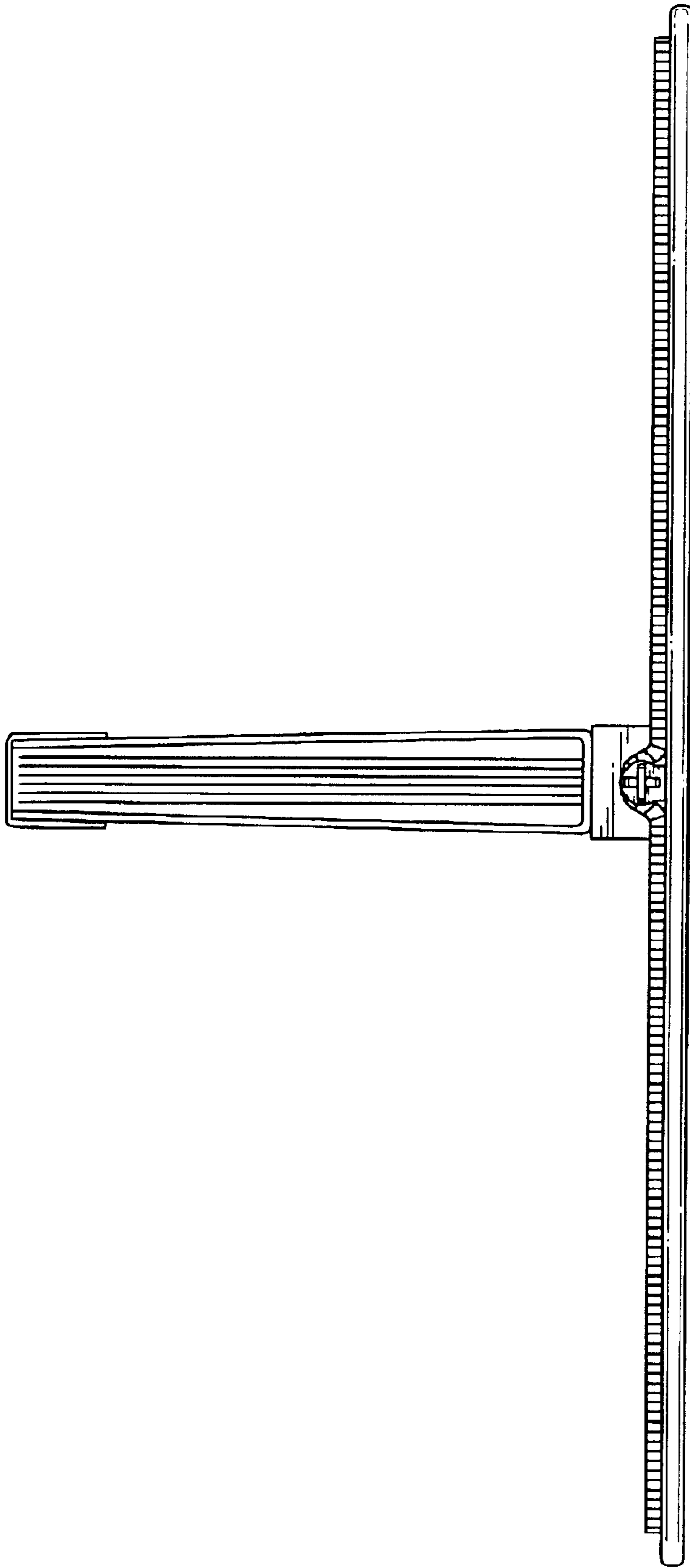


FIG.7