



US00D489896S

(12) **United States Design Patent**
Cassegrain

(10) **Patent No.:** **US D489,896 S**

(45) **Date of Patent:** **** May 18, 2004**

(54) **HANDBAG**

(75) Inventor: **Philippe Cassegrain**, Paris (FR)

(73) Assignee: **S.A.S. Jean Cassegrain**, Paris (FR)

(**) Term: **14 Years**

(21) Appl. No.: **29/185,539**

(22) Filed: **Jun. 27, 2003**

(51) **LOC (7) Cl.** **03-01**

(52) **U.S. Cl.** **D3/246**

(58) **Field of Search** D3/232, 233, 241,
D3/243, 245, 246, 303; 150/114, 117; 190/103,
109, 113, 115, 900, 903; 383/6, 31, 37,
38, 40, 66, 78

(56) **References Cited**

U.S. PATENT DOCUMENTS

905,034 A	*	11/1908	Weidemann	D3/241
1,537,956 A	*	5/1925	McNally	D3/303
1,553,697 A	*	9/1925	Lederer	383/40
1,606,107 A	*	11/1926	Worthington	383/40
4,819,793 A	*	4/1989	Willard et al.	383/40
D423,215 S	*	4/2000	Furlanetto	D3/245
D452,073 S		12/2001	Cassegrain		

OTHER PUBLICATIONS

Longchamp—Paris, Les Plages, Spring 2002, Catalogue, Paris, France.

* cited by examiner

Primary Examiner—Louis S. Zarfaz

Assistant Examiner—Monica A Weingart

(74) *Attorney, Agent, or Firm*—Gottlieb, Rackman & Reisman, P.C.

(57) **CLAIM**

The ornamental design for a handbag, as shown and described.

DESCRIPTION

FIG. 1 is a bottom plan view of my new design, with certain stitching and certain hardware shown in dashed line for illustrative purposes only and forming no part of the claimed design;

FIG. 2 is a front elevation view thereof;

FIG. 3 is a right side elevation view thereof, the left side elevation view being a mirror image thereof;

FIG. 4 is a top plan view thereof; and,

FIG. 5 is a rear elevation view thereof.

1 Claim, 3 Drawing Sheets

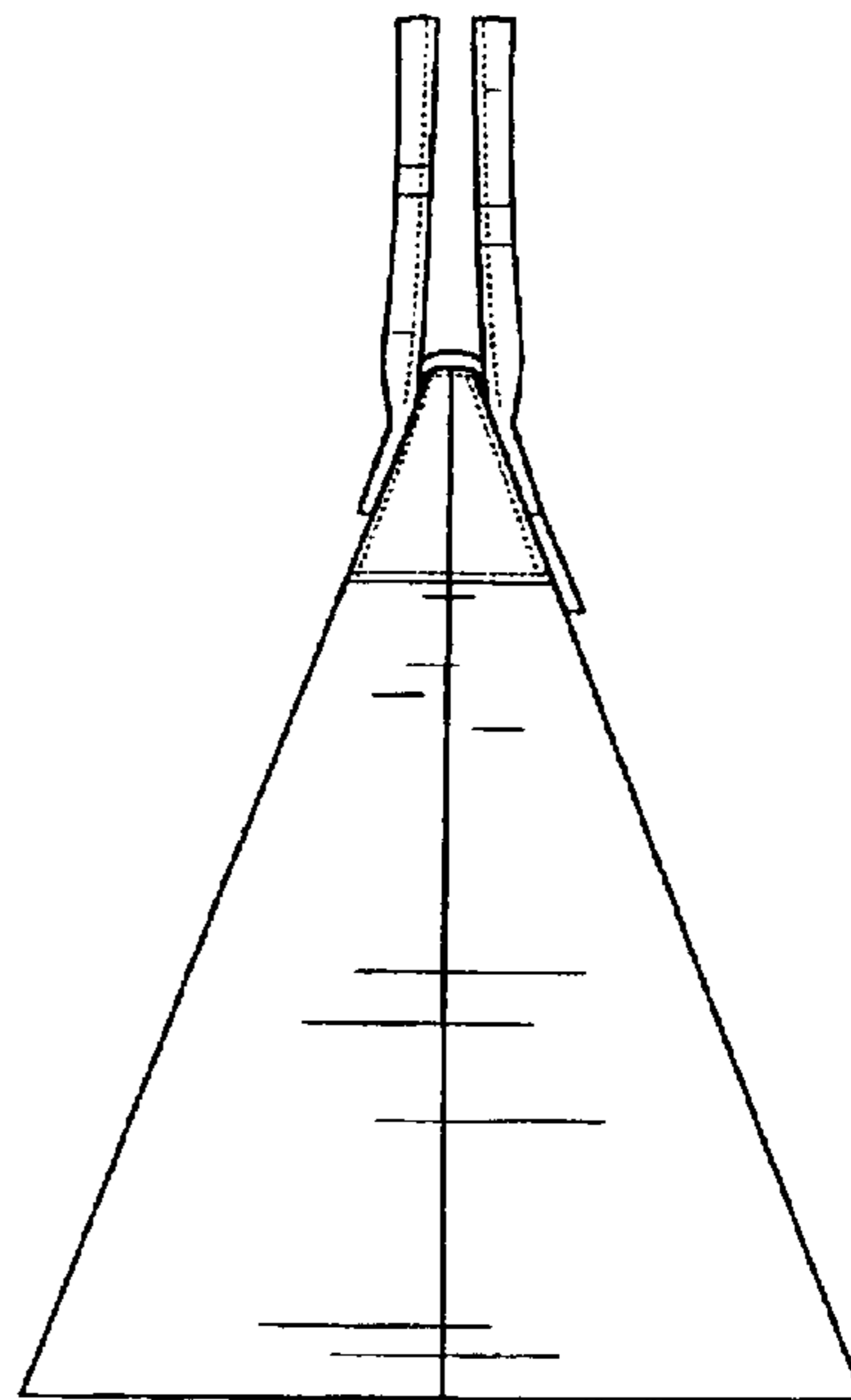
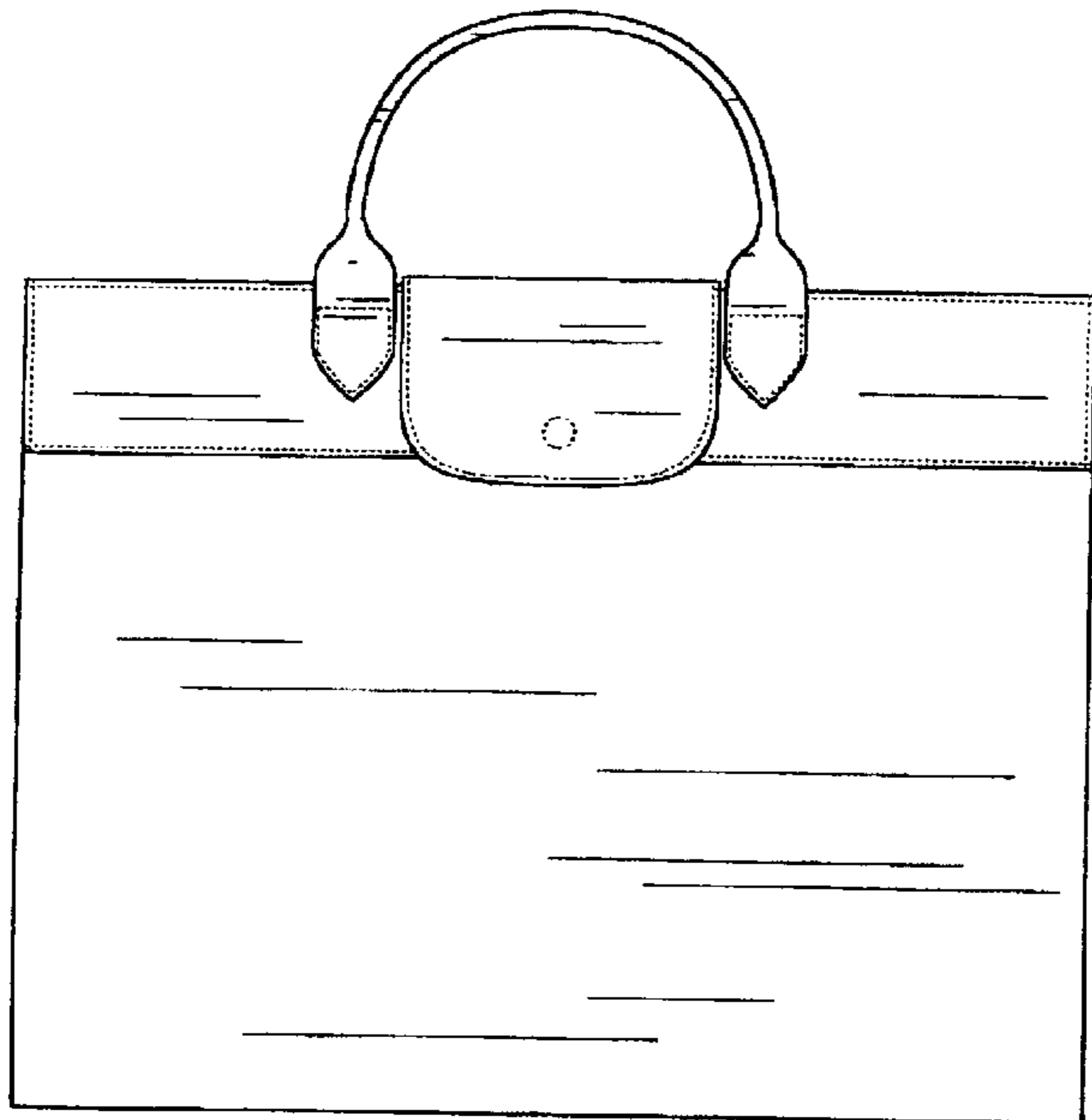


FIG. 1

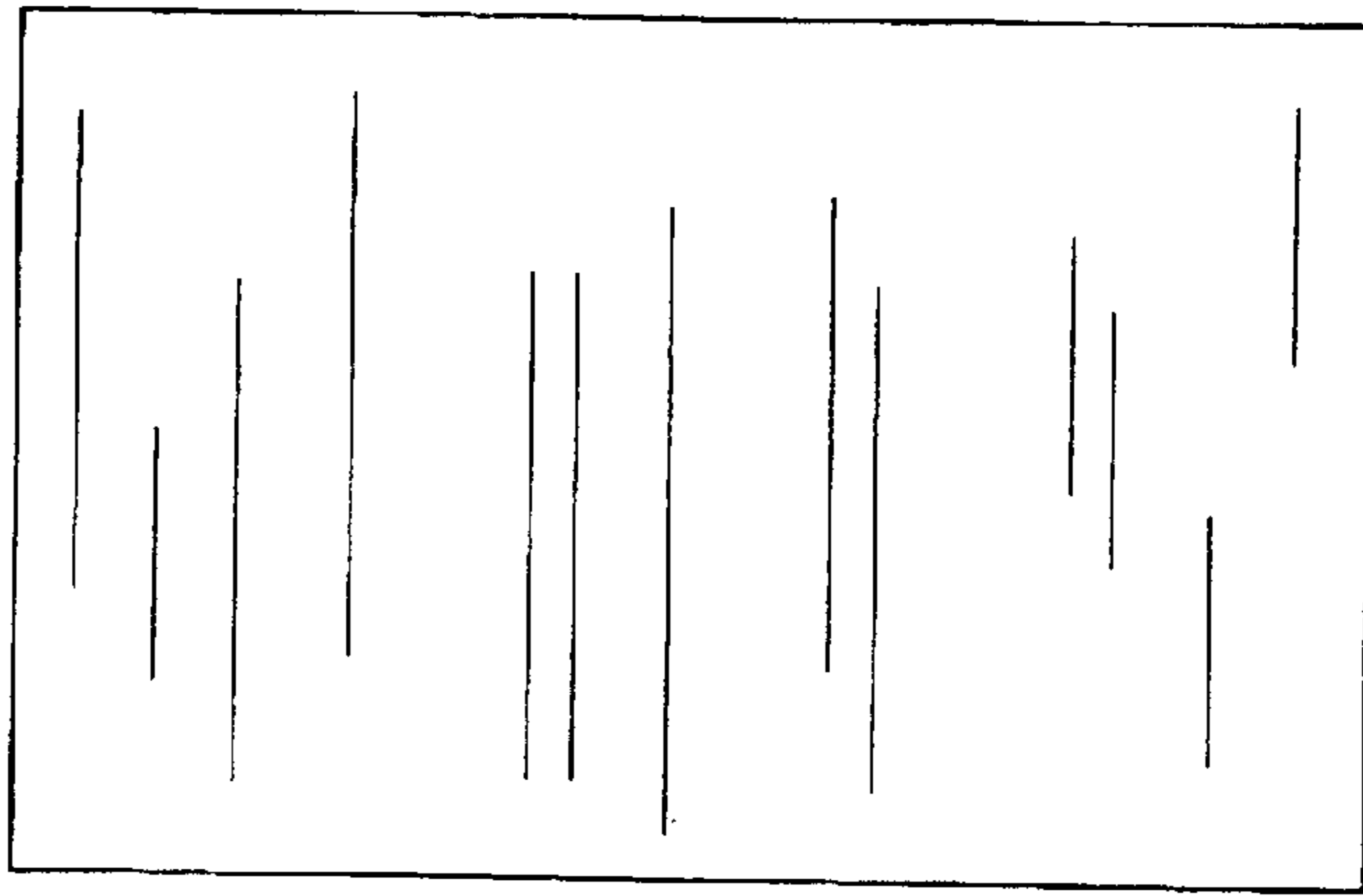


FIG. 2

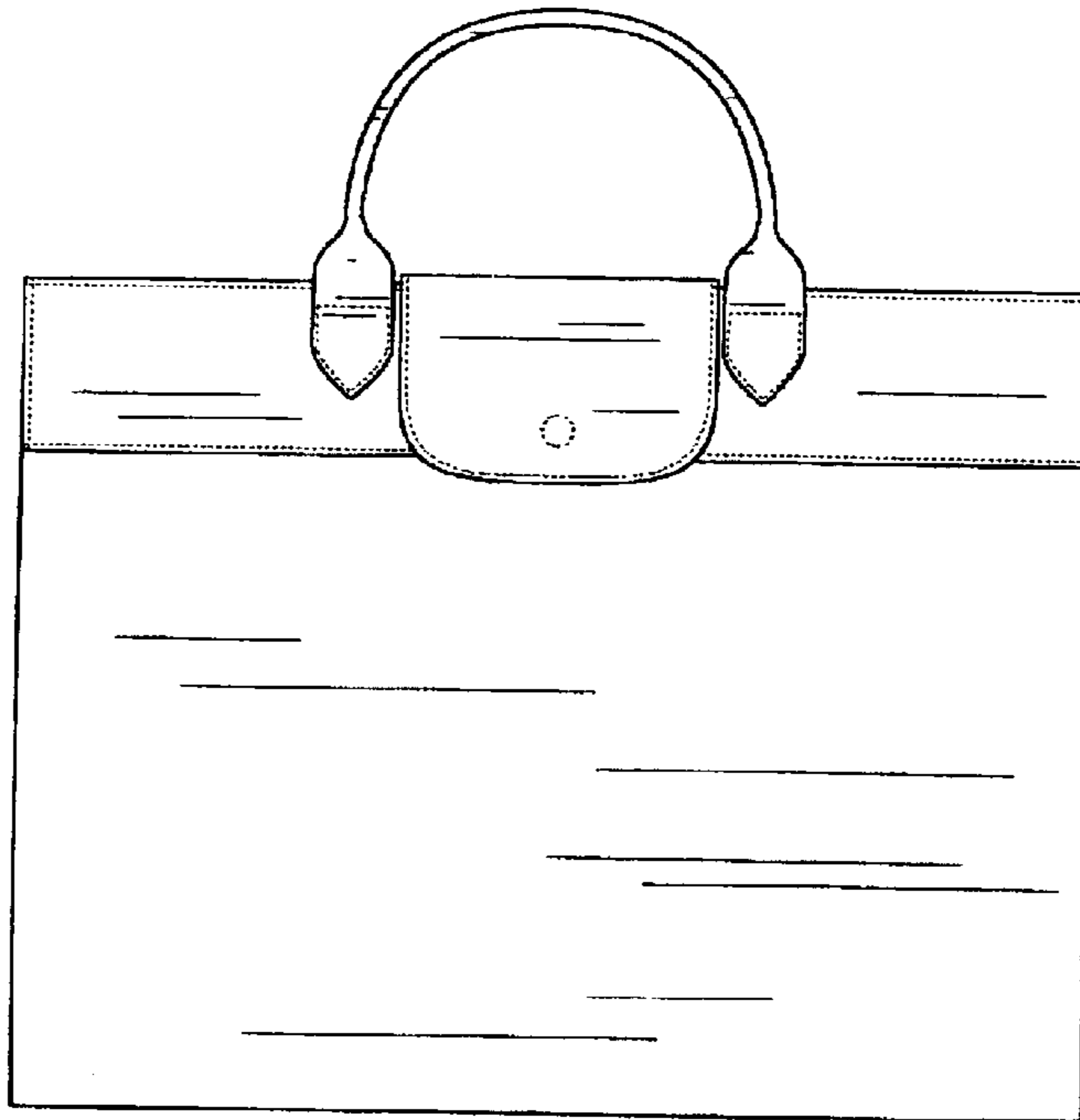
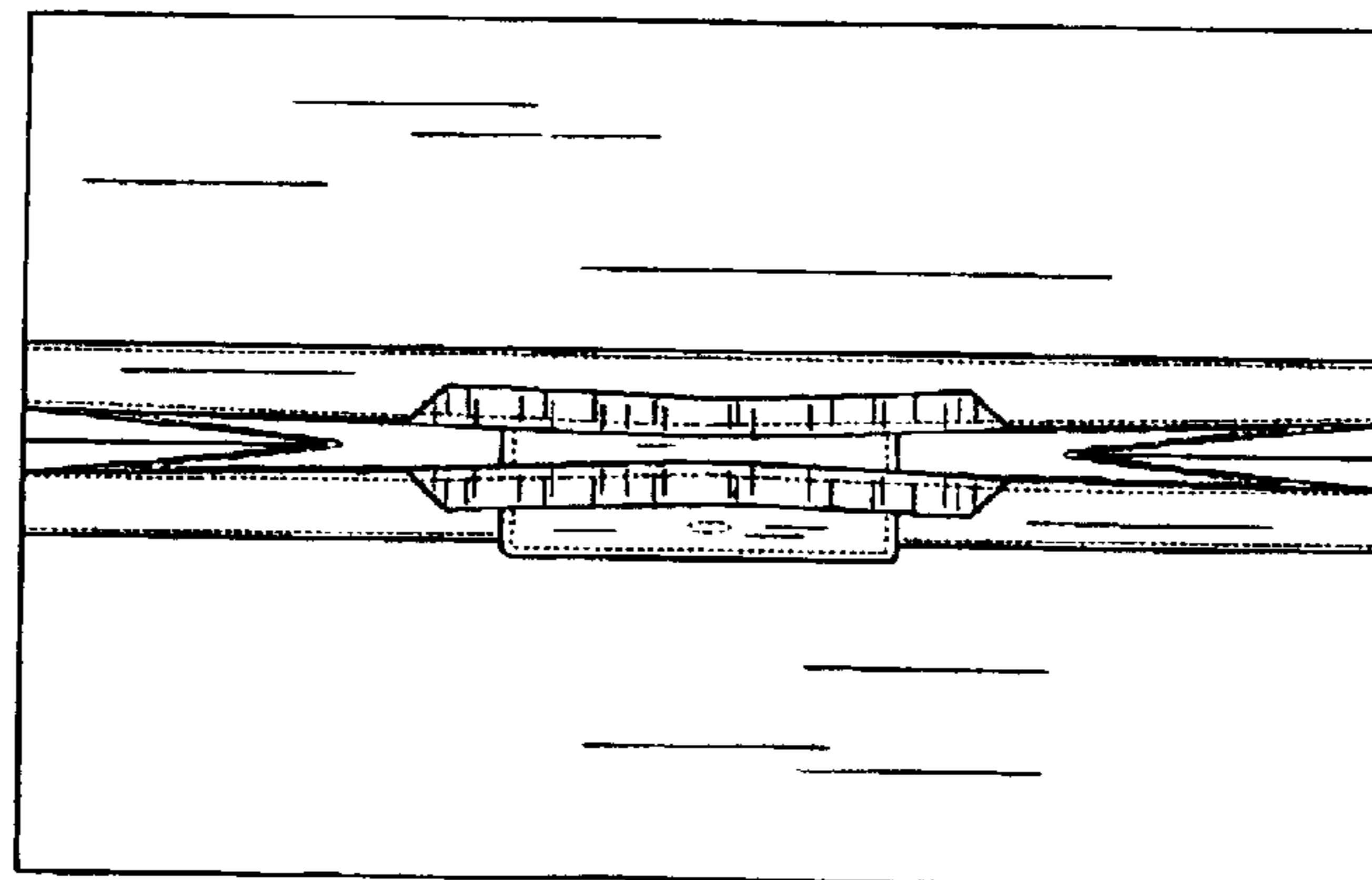


FIG. 4



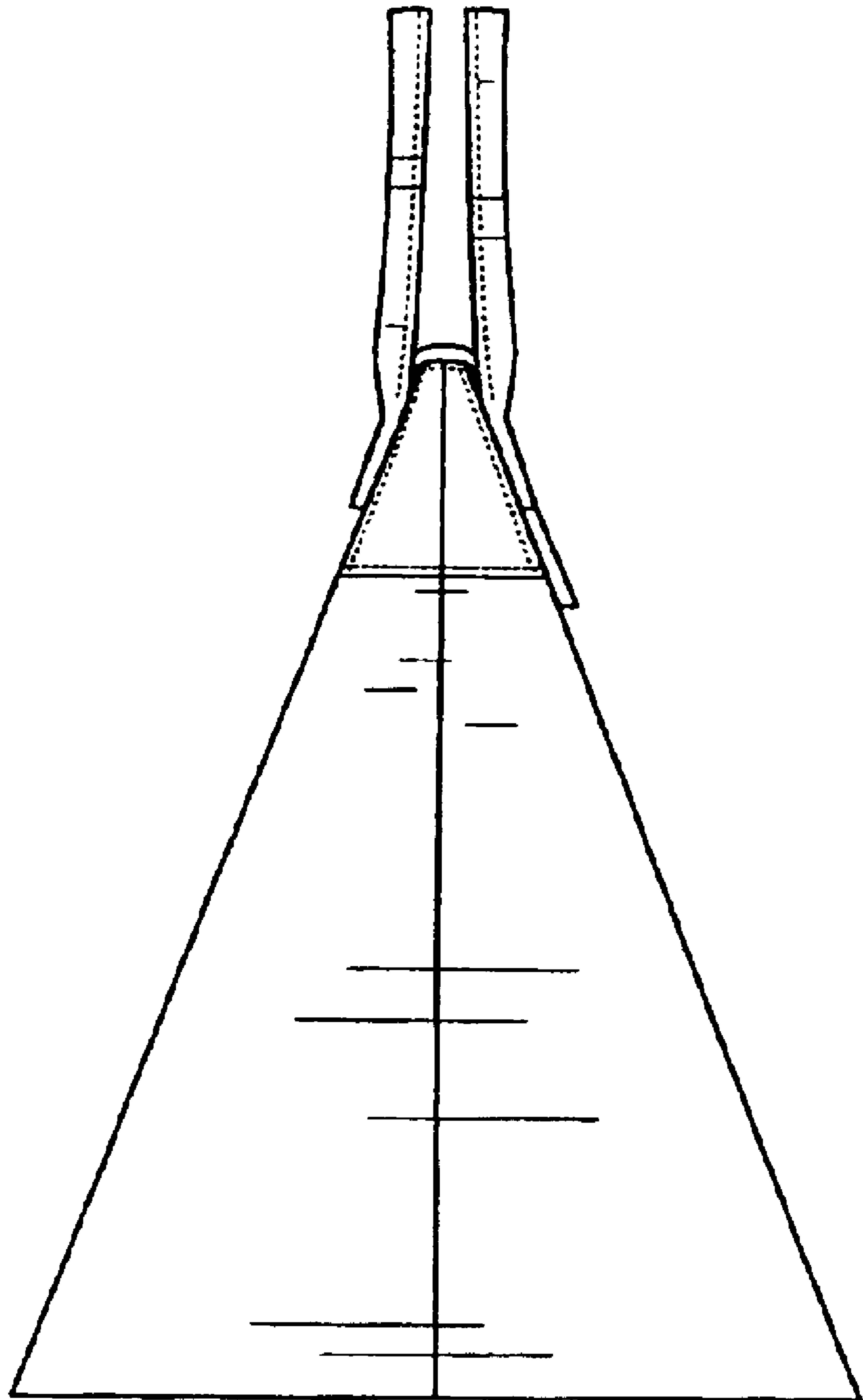


FIG. 3

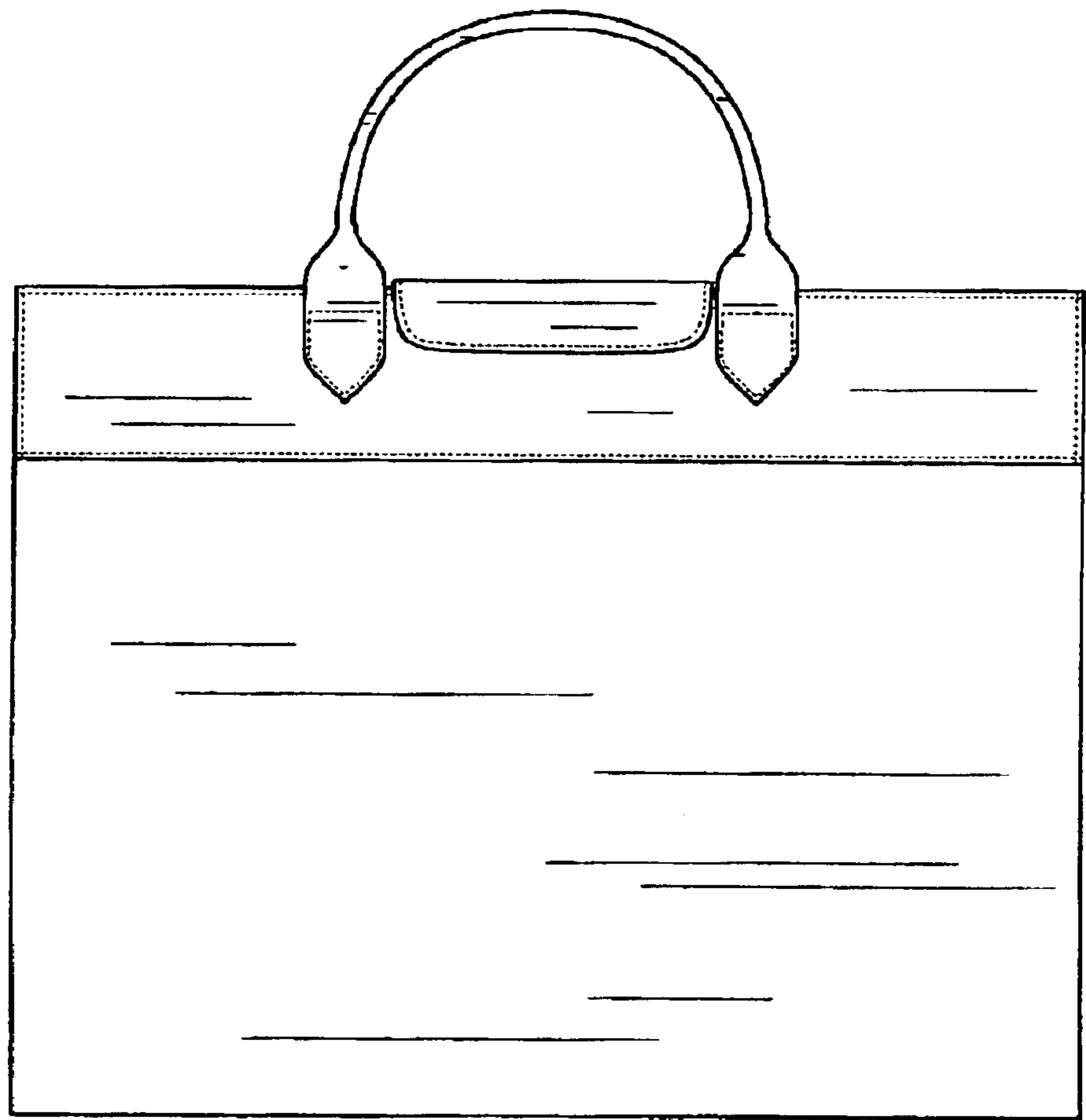


FIG. 5